

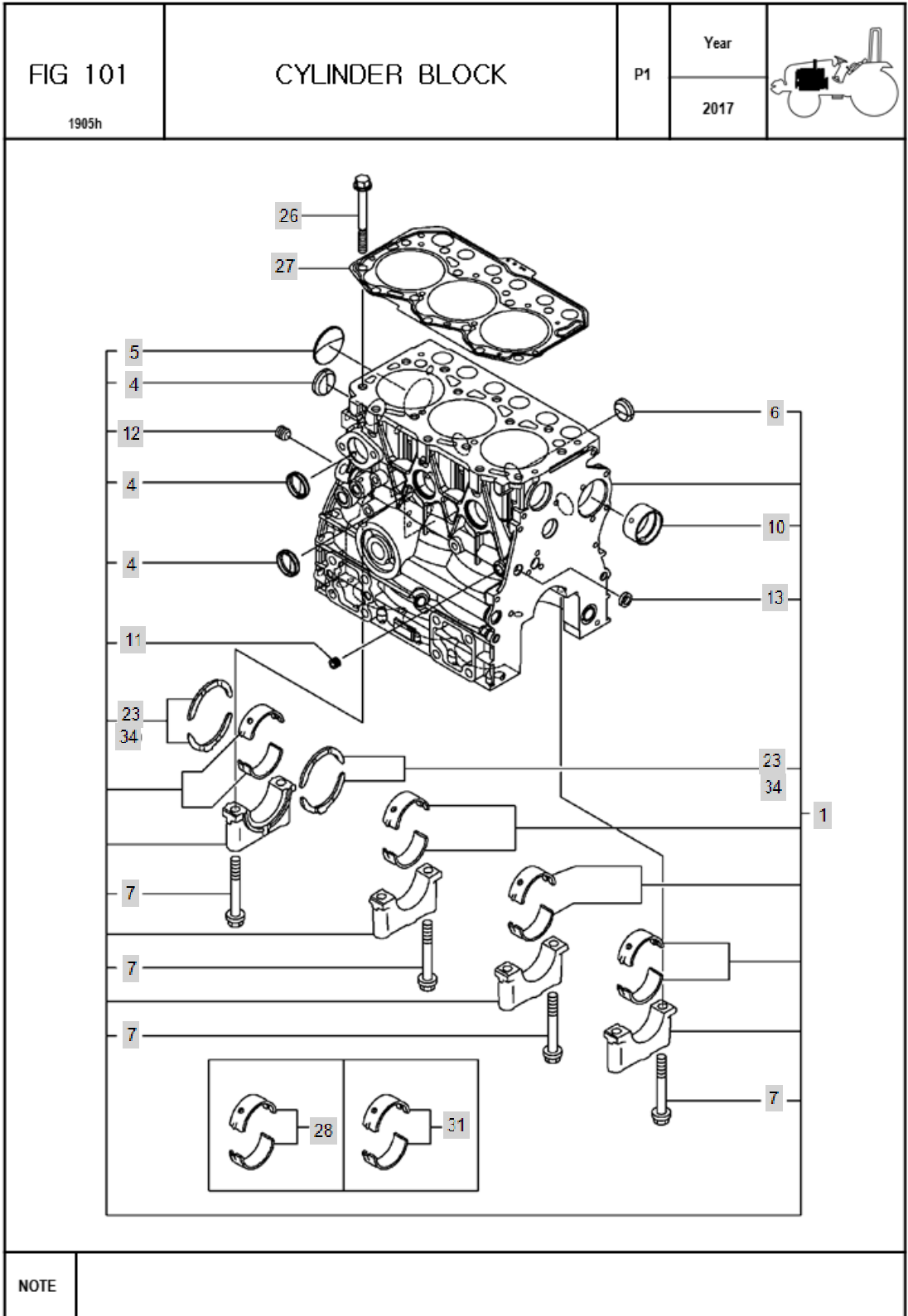
FIG E101

Branson 1905h EU-T

# CYLINDER BLOCK

Year/Month

2020-07





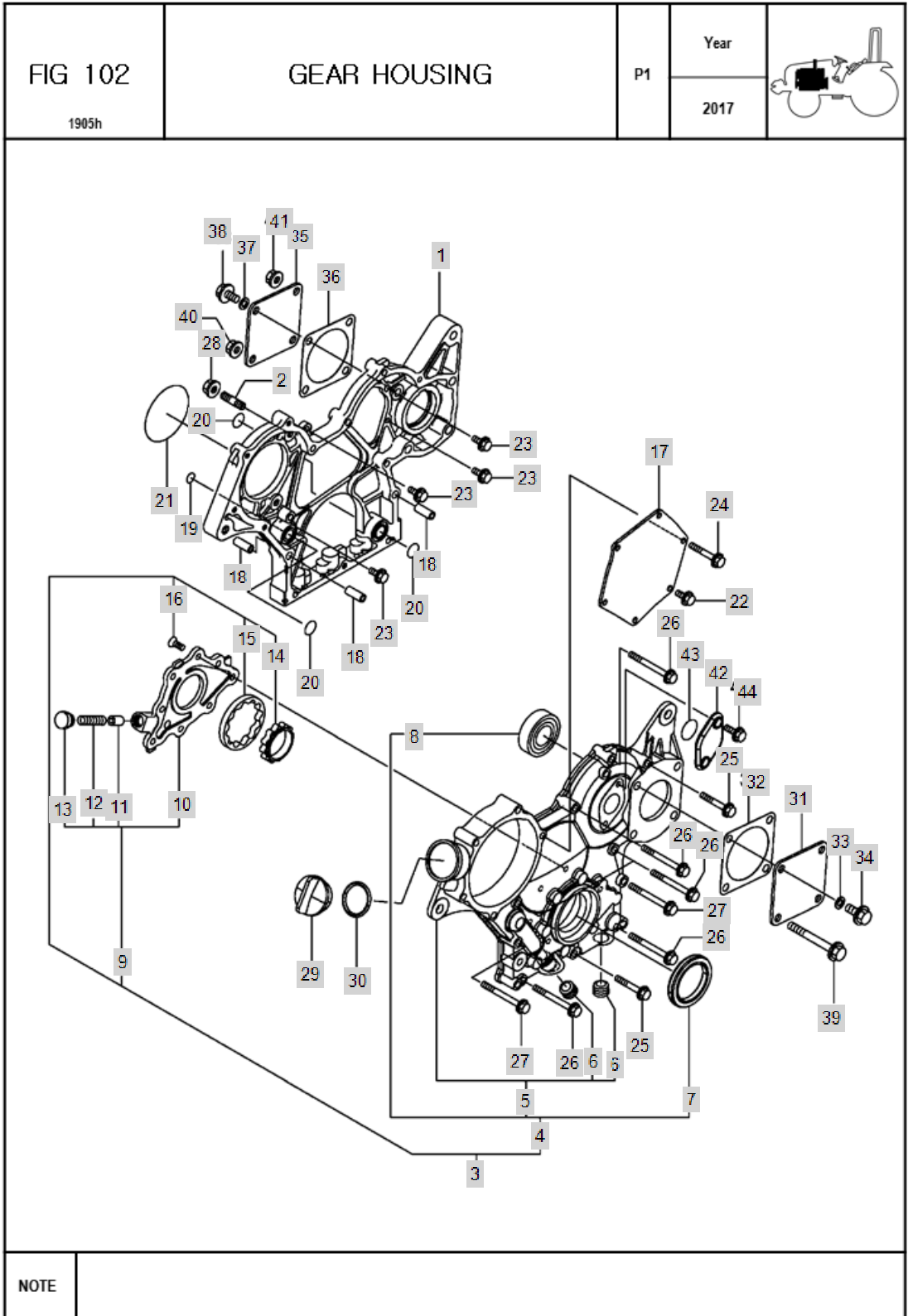


FIG E102		GEAR HOUSING			Year/Month
Branson 1905h EU-T					2020-07
KeyNo.	Part Number	Part Name	Quantity	Other	
1	119740-01501		1		
2	119717-01570		3		
3	119751-01590		1		
4	719751-01500		1		
5	119751-01521		1		
6	23876-030000		2		
7	119717-01800		1		
8	24101-062024	BALL BEARING (#6202)	1		
9	119717-32100		1		
10	119717-32080		1		
11	129900-32130		1		
12	129001-32320	SPRING, LO PRESS (Not Sold Separately)	1		
13	129001-32330	PLUG. LO PRESS (Not Sold Separately)	1		
14	119717-32110		1		
15	119717-32120		1		
16	119802-32130		8		
17	119717-01750		1		
18	119660-01911		4		
19	119624-32040		1		
20	119717-32050		3		
21	121850-51960	O-RING, F/I PUMP	1		
22	26106-060122	HEX BOLT (6-12)	1		
23	26106-060162	HEXFLANGEBOLT	4		
24	26106-060402	FLANGEBOLT	4		
25	26106-060402	FLANGEBOLT	2		
26	26106-060602	Bolt	7		
27	26106-060652		2		
28	26306-080002		3		
29	124160-01751	CAP,OILFIL,	1		
30	24311-000320	O-RING, DYNAMIC (Φ32)	1		
31	124240-01871		1		
32	129C26-01890		1		
33	22190-080002	WASHER, PLAIN (Φ 08)	1		
34	26106-080122	Bolt, Hexa (8-12)	1		
35	124240-01871		1		
36	129C26-01890		1		
37	22190-080002	WASHER, PLAIN (Φ 08)	1		
38	26106-080142	SCREW,HEXFLANGEHEADCAP	1		
39	26106-080702	SCREW,HEXFLANGEHEADCAP	3		
40	26306-080002		1		
41	26306-080002		2		
42	121023-01551		1		
43	24341-000240	O-RING, FIX (Φ24)	1		
44	26106-060162	HEXFLANGEBOLT	2		

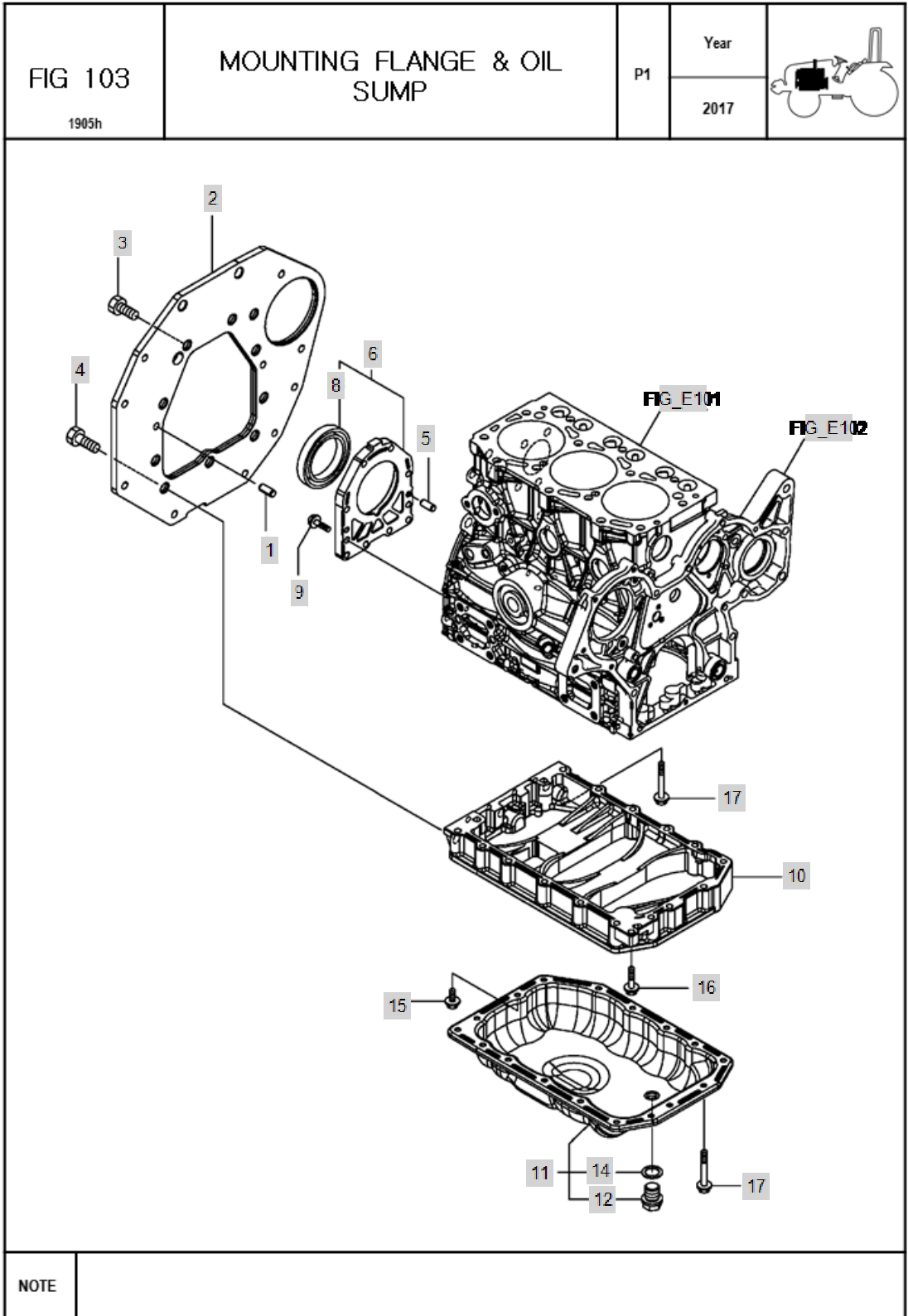
FIG E103

Branson 1905h EU-T

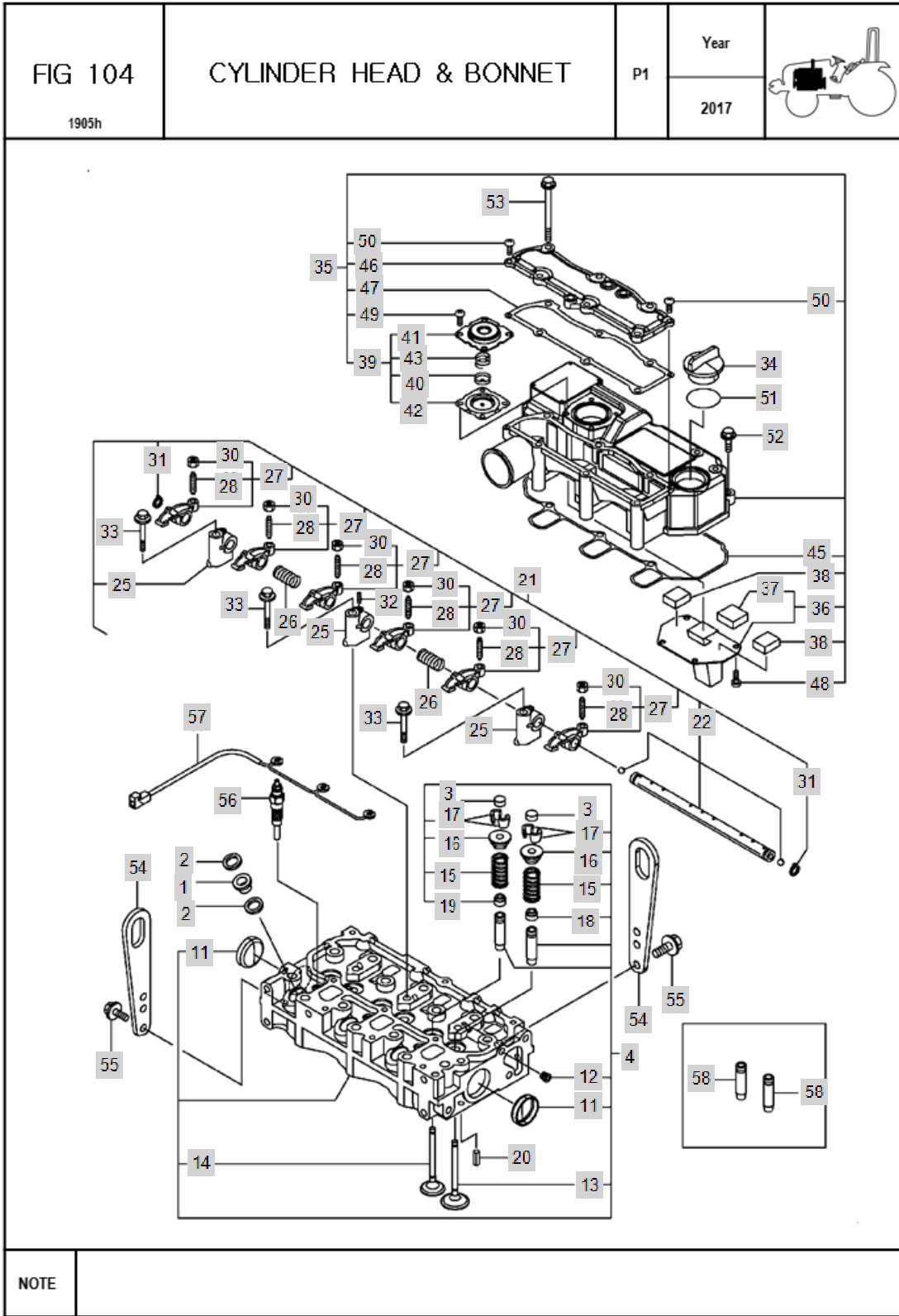
# MOUNTING FLANGE & OIL SUMP

Year/Month

2020-07







NOTE

FIG E104		CYLINDER HEAD & BONNET			Year/Month
Branson 1905h EU-T					2020-07
KeyNo.	Part Number	Part Name	Quantity	Other	
1	129901-11450	PROTECTOR, NOZZLE	3		
2	119600-11460	GASKET, NOZZLE	6		
3	105010-11490	INSULATOR	6		
4	119C10-11740		1		
11	119285-11990		2		
12	23876-005000	PLUG PT 1/16, SCREW	1		
13	119C10-11100		3		
14	119C10-11110		3		
15	119717-11131		6		
16	129508-11180		6		
17	119717-11190	COTTER, VALVE	12		
18	119717-11340	SEAL, VALVE STEM	3		
19	119717-11350	SEAL, VALVE STEM	3		
20	22351-060012	PIN, SPRING (6-12)	2		
21	119515-11200		1		
22	119515-11240		1		
25	119717-11260		3		
26	119515-11280		2		
27	119717-11650		6		
28	129150-11230		6		
30	129150-11750		6		
31	22242-000120	SNAP RING, SHAFT (Φ 12)	2		
32	26979-050162		1		
33	26106-080402	SCREW, HEXFLANGEHEADCAP	3		
34	124160-01751	CAP, OILFIL,	1		
35	119515-11380		1		
36	119717-03031		1		
37	119717-03070		1		
38	119717-03070		2		
39	119802-03100		1		
40	119802-03110		1		
41	119802-03121		1		
42	119802-03131		1		
43	119802-03141		1		
45	119515-11310	GASKET, BONNET	1		
46	119515-11320		1		
47	119515-11330	GASKET	1		
48	22857-500100		4		
49	22857-500100		4		
50	22857-500160	.	2		
51	24311-000320	O-RING, DYNAMIC (Φ32)	1		
52	26106-060202	HEXFLANGEBOLT	3		
53	26106-060752	HEXAGON FLANGE BOLT	6		
54	129900-07900		2		
55	26106-080162	SCREW, HEXFLANGEHEADCAP	4		





FIG E105

Branson 1905h EU-T

# EXHAUST MANIFOLD

Year/Month

2020-07

FIG 105

1905h

EXHAUST MANIFOLD

P1

Year

2017

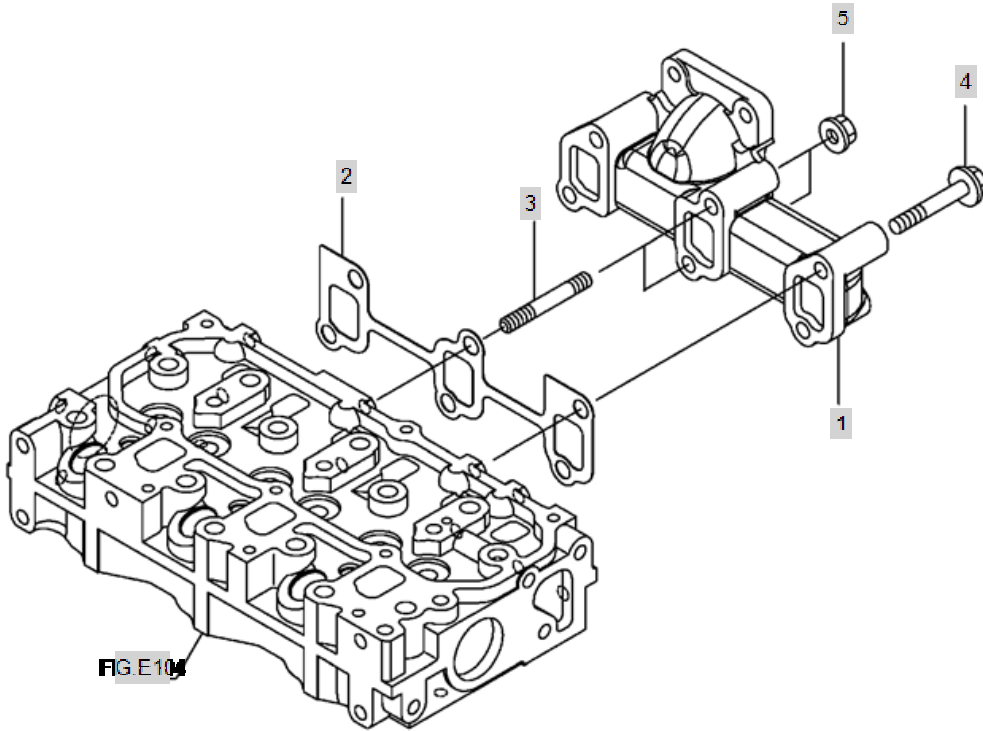


FIG E105

NOTE



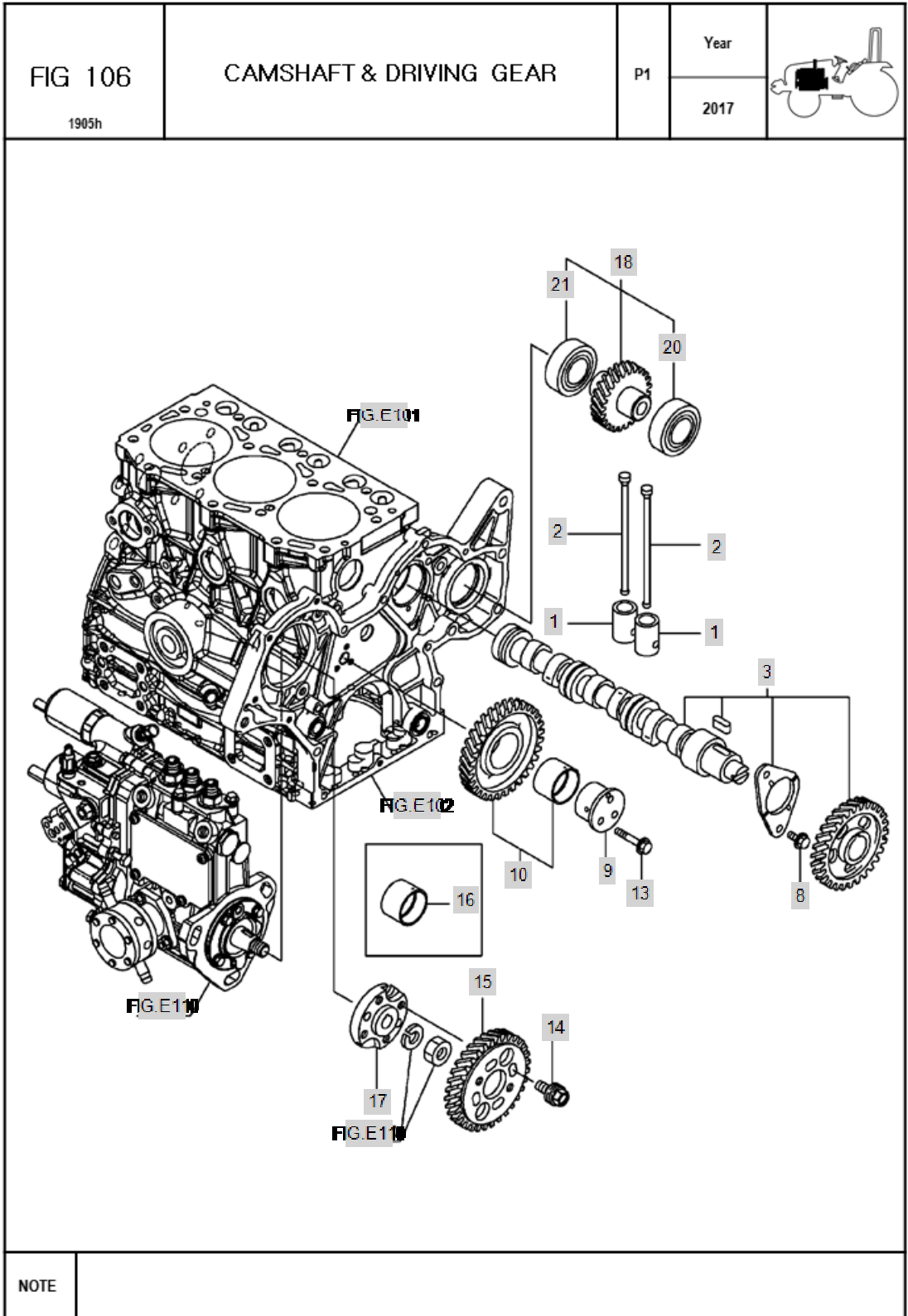




FIG E107

Branson 1905h EU-T

# CRANKSHAFT & PISTON

Year/Month

2020-07

FIG 107

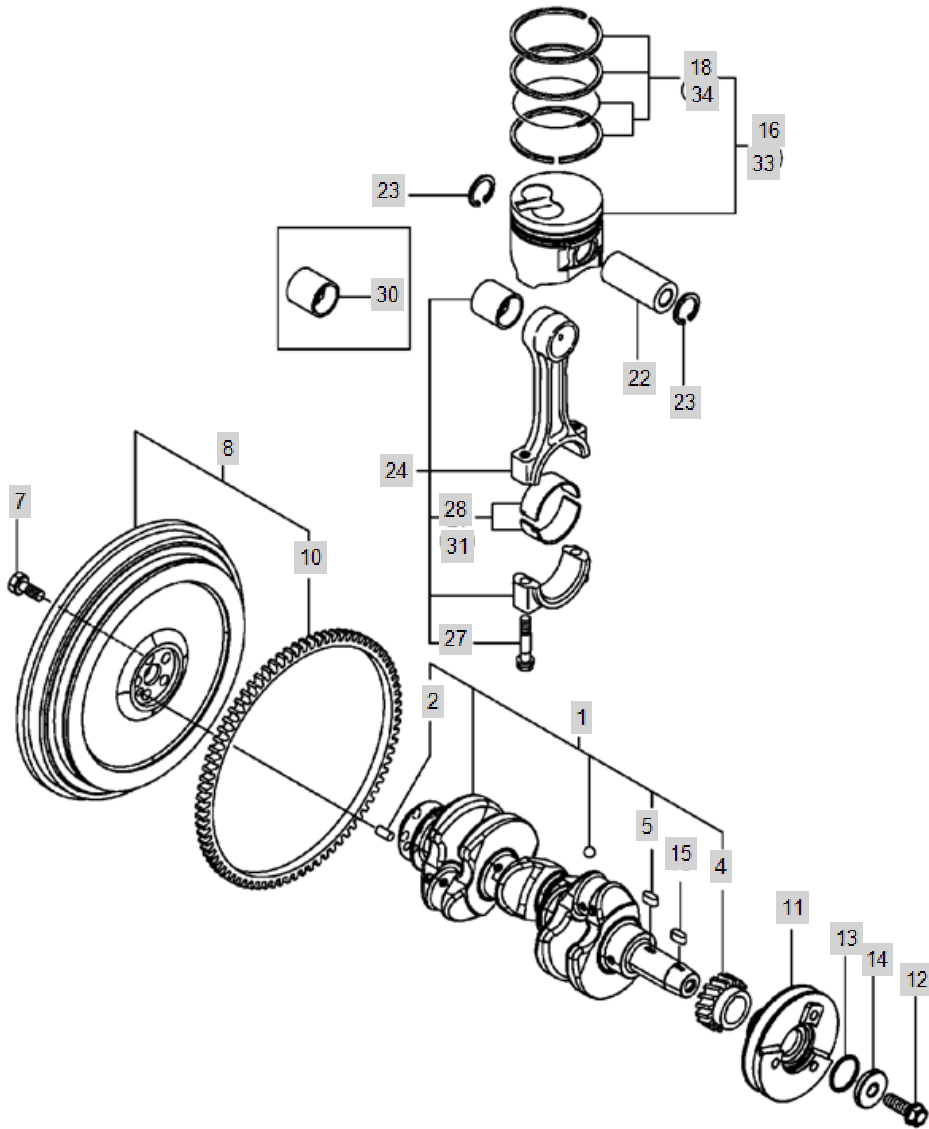
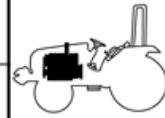
1905h

## CRANKSHAFT & PISTON

P1

Year

2017



NOTE



FIG E108

Branson 1905h EU-T

LUB. OIL SYSTEM

Year/Month

2020-07

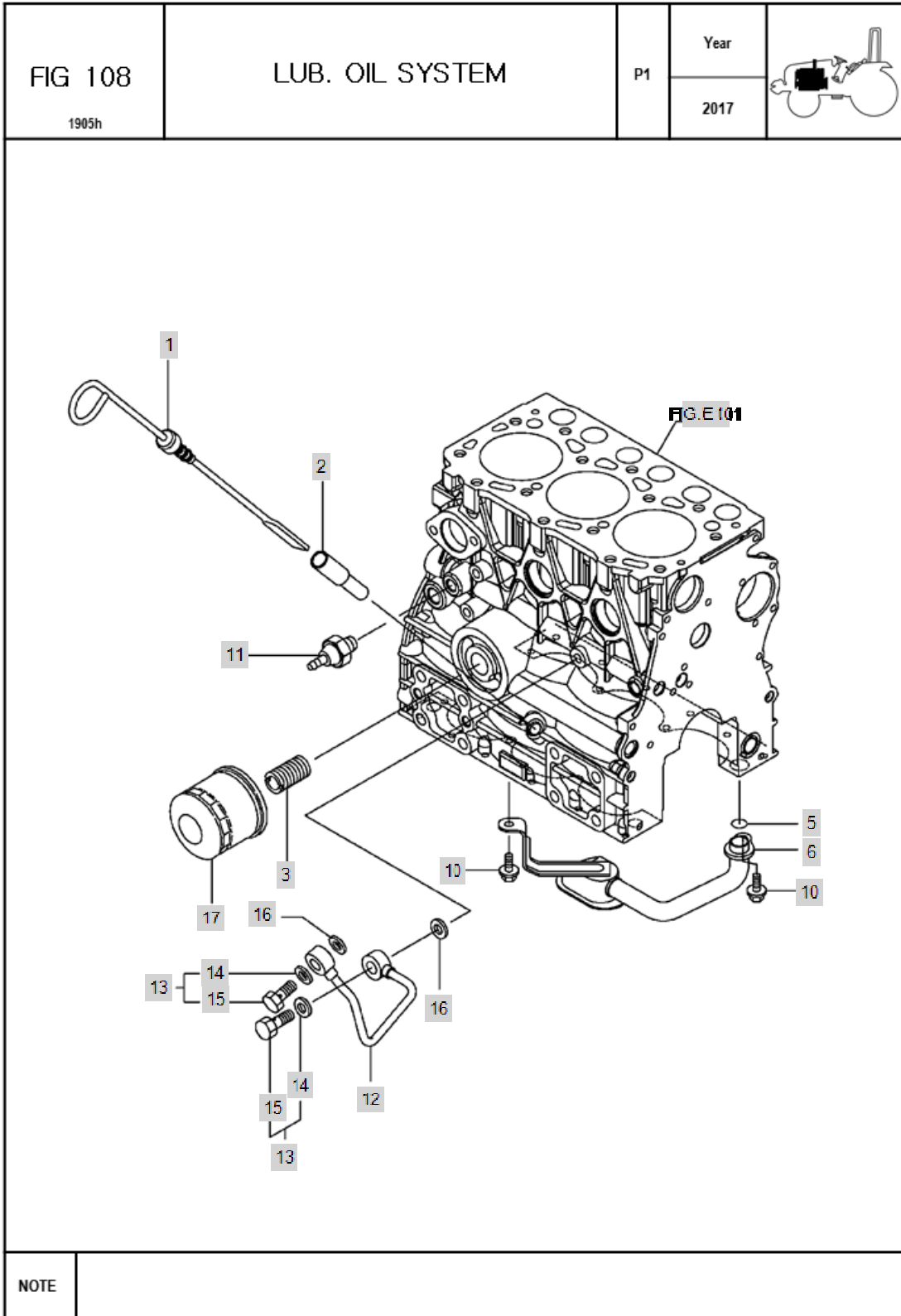






FIG E109

Branson 1905h EU-T

COOLING WATER SYSTEM

Year/Month

2020-07

FIG 109

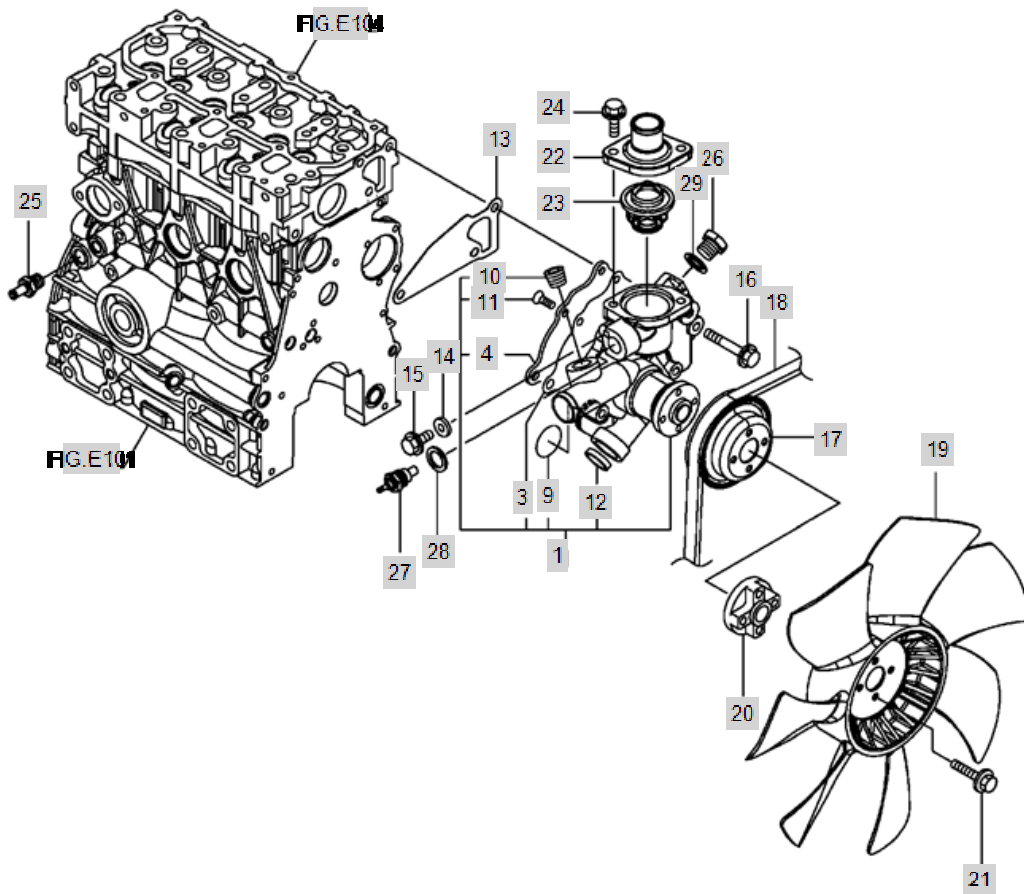
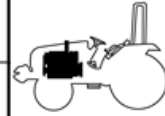
1905h

COOLING WATER SYSTEM

P1

Year

2017



NOTE



FIG E110

Branson 1905h EU-T

# FUEL INJECTION PUMP

Year/Month

2020-07

FIG 110

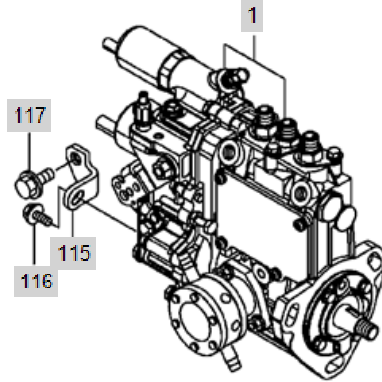
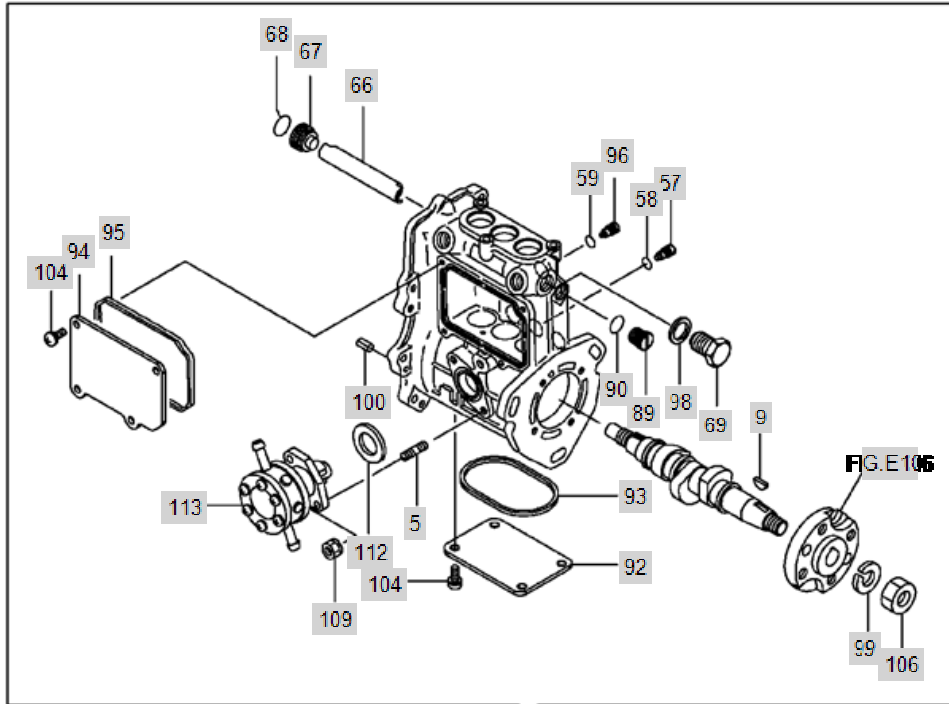
1905h

## FUEL INJECTION PUMP

P1

Year

2017



NOTE



FIG E111

Branson 1905h EU-T

GOVERNOR

Year/Month

2020-07

FIG 111

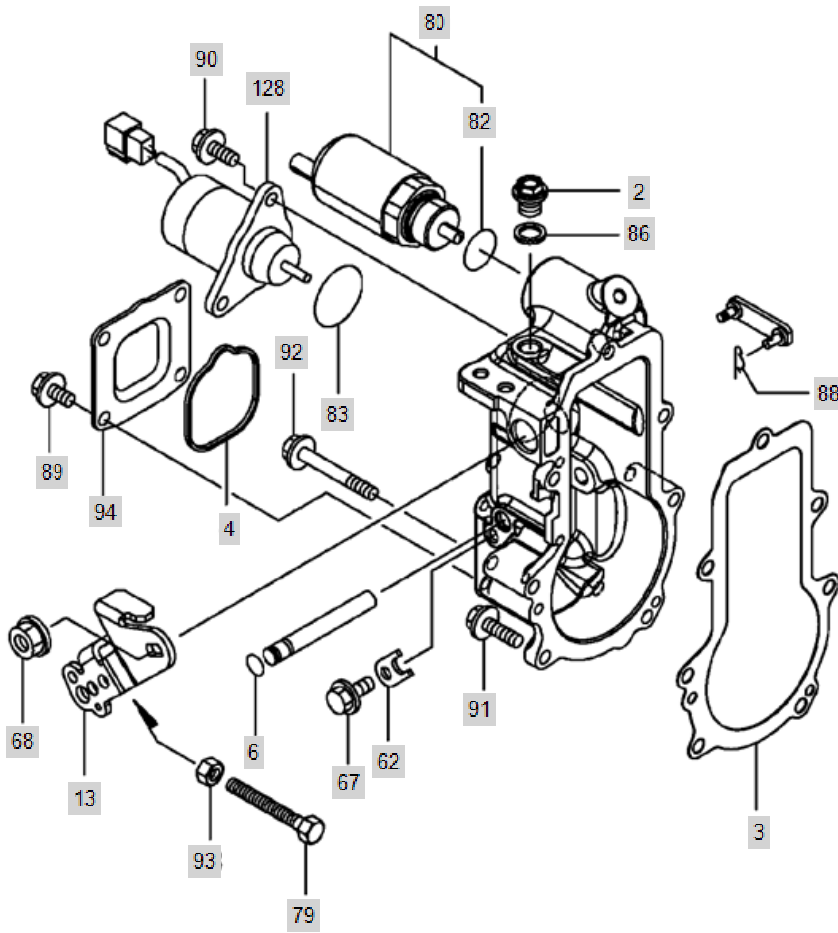
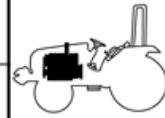
1905h

GOVERNOR

P1

Year

2017



NOTE



FIG E112

Branson 1905h EU-T

FUEL INJECTION VALVE

Year/Month

2020-07

FIG 112

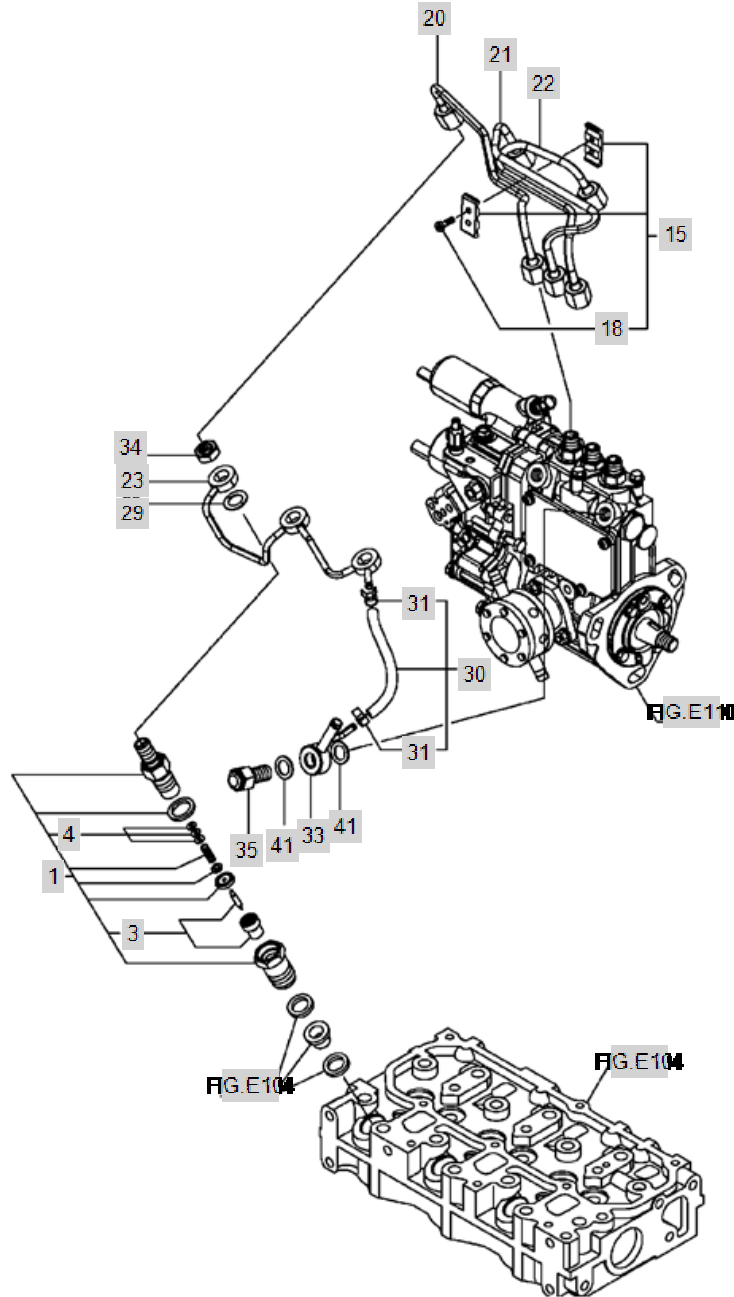
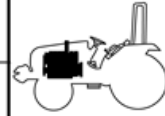
1905h

FUEL INJECTION VALVE

P1

Year

2017



NOTE





FIG E113

Branson 1905h EU-T

FUEL PIPE

Year/Month

2020-07

FIG 113

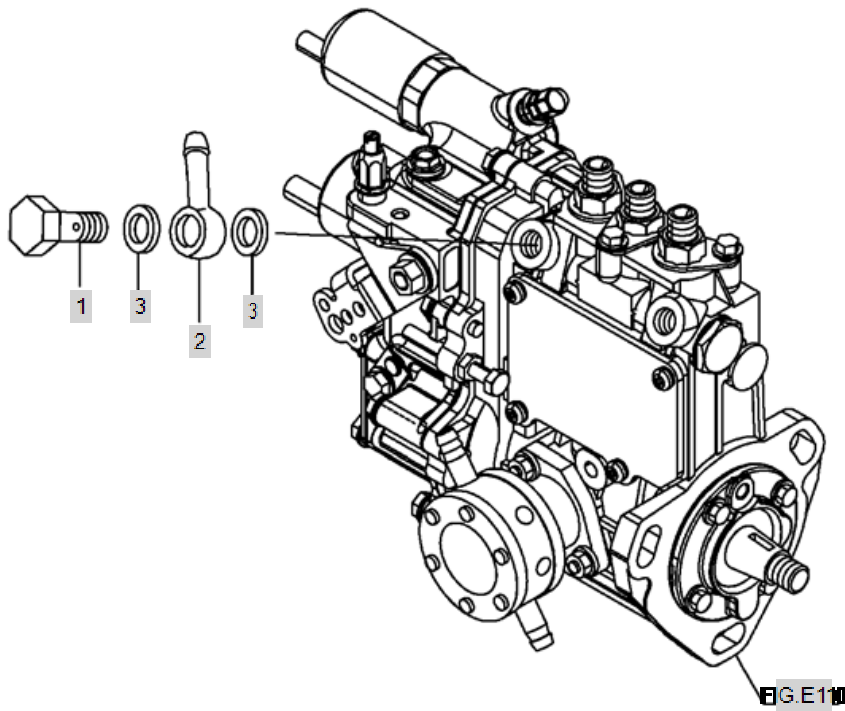
1905h

FUEL PIPE

P1

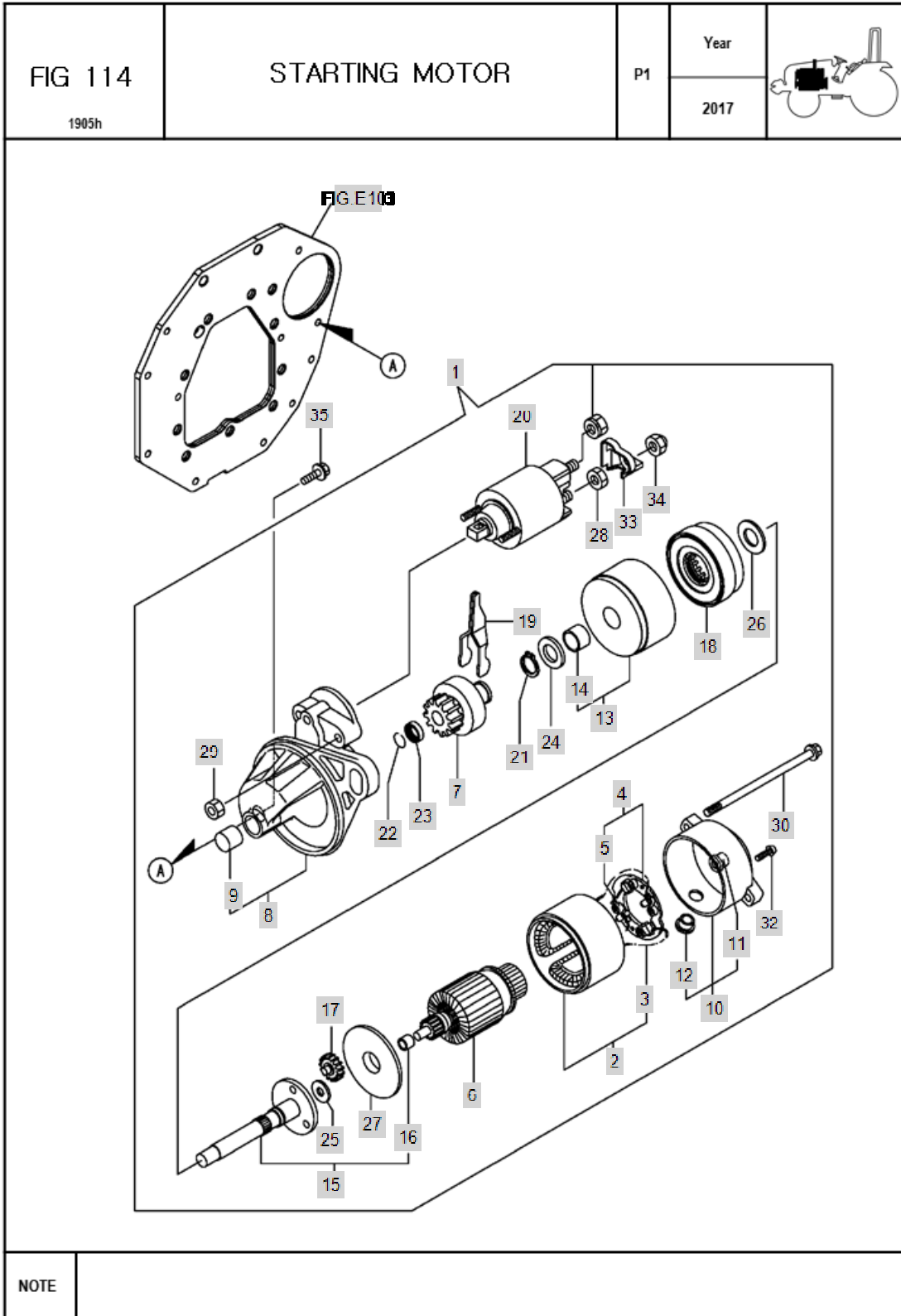
Year

2017



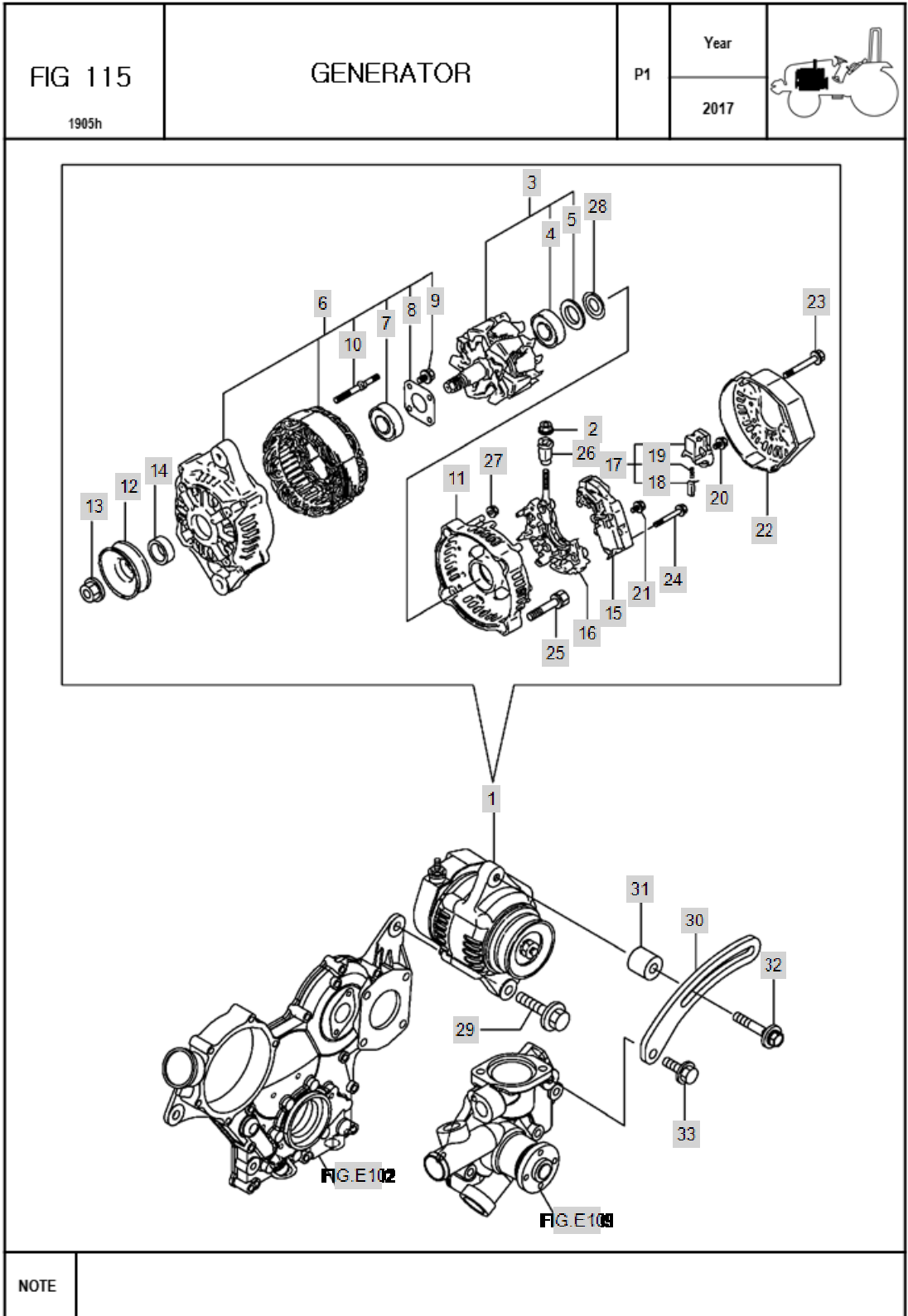
NOTE





NOTE







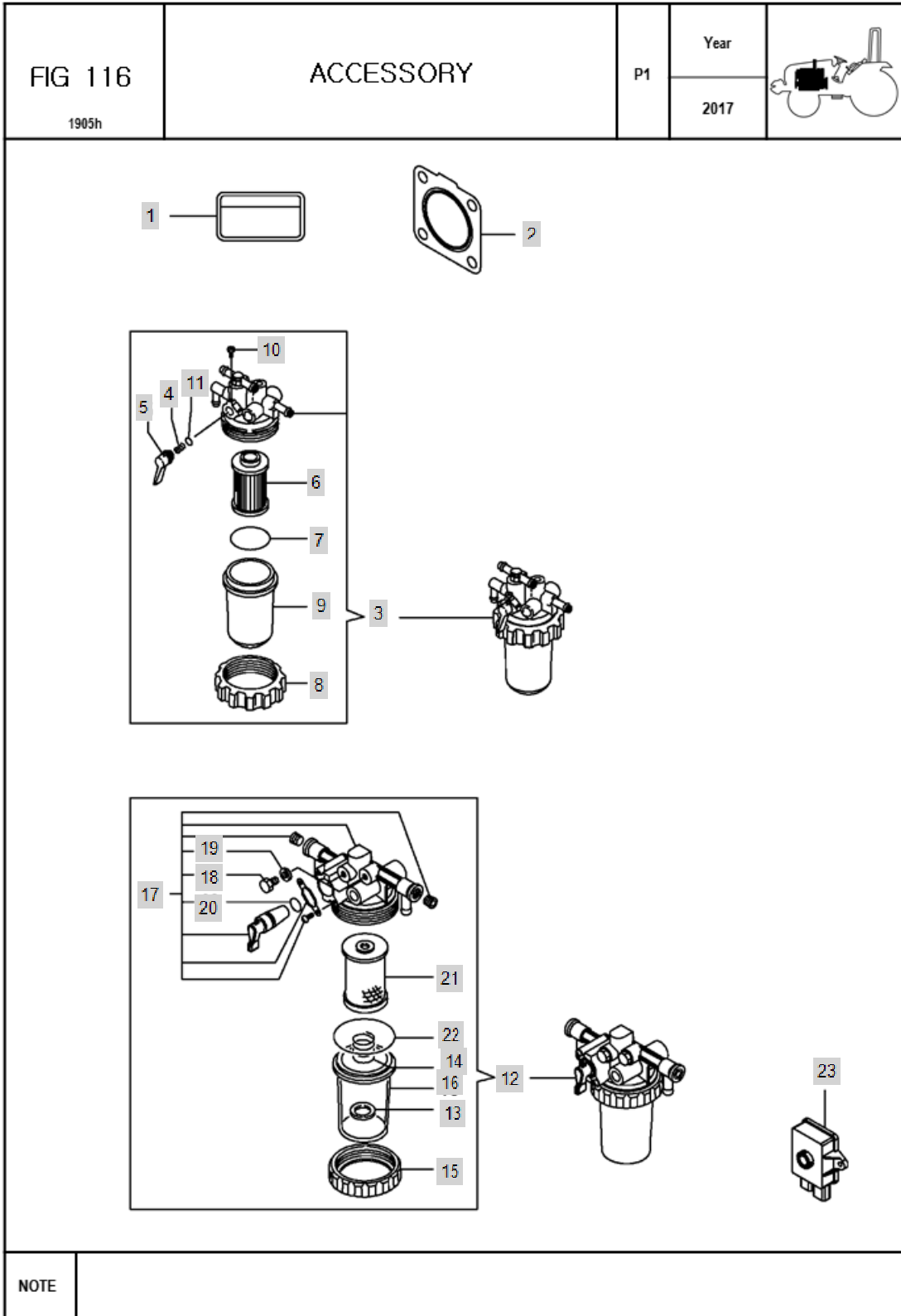






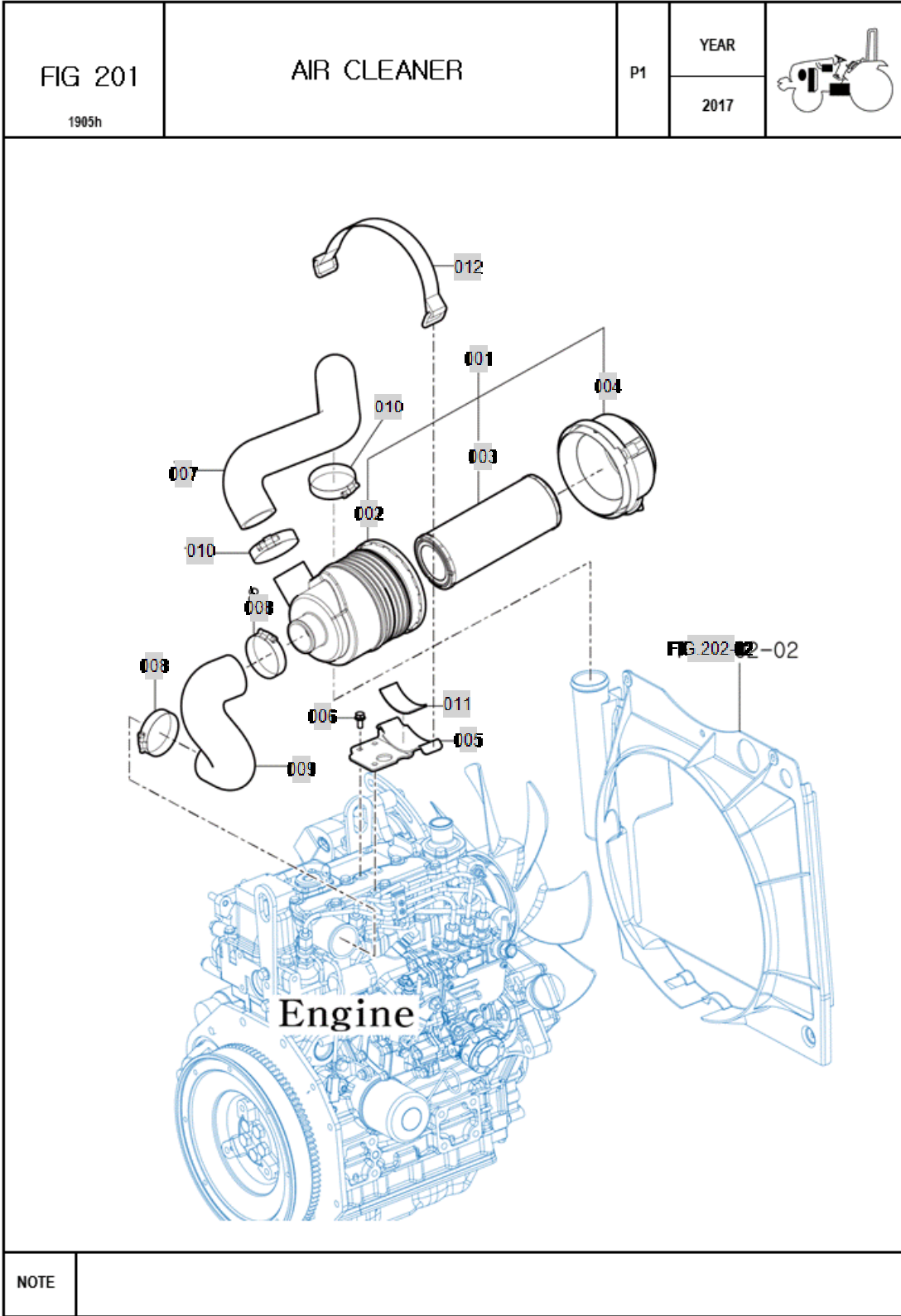
FIG C201

Branson 1905h EU-T

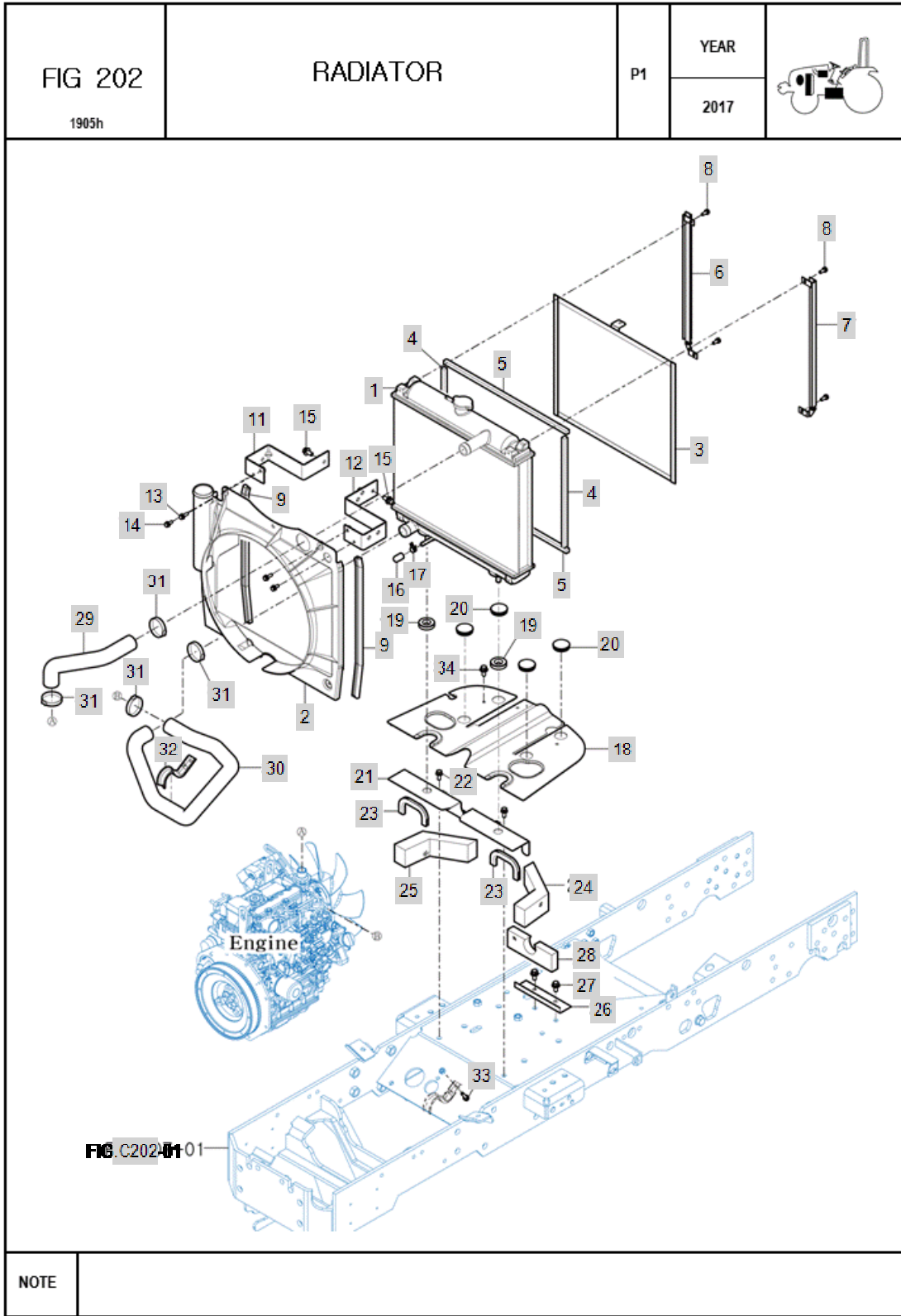
# AIR CLEANER

Year/Month

2020-07









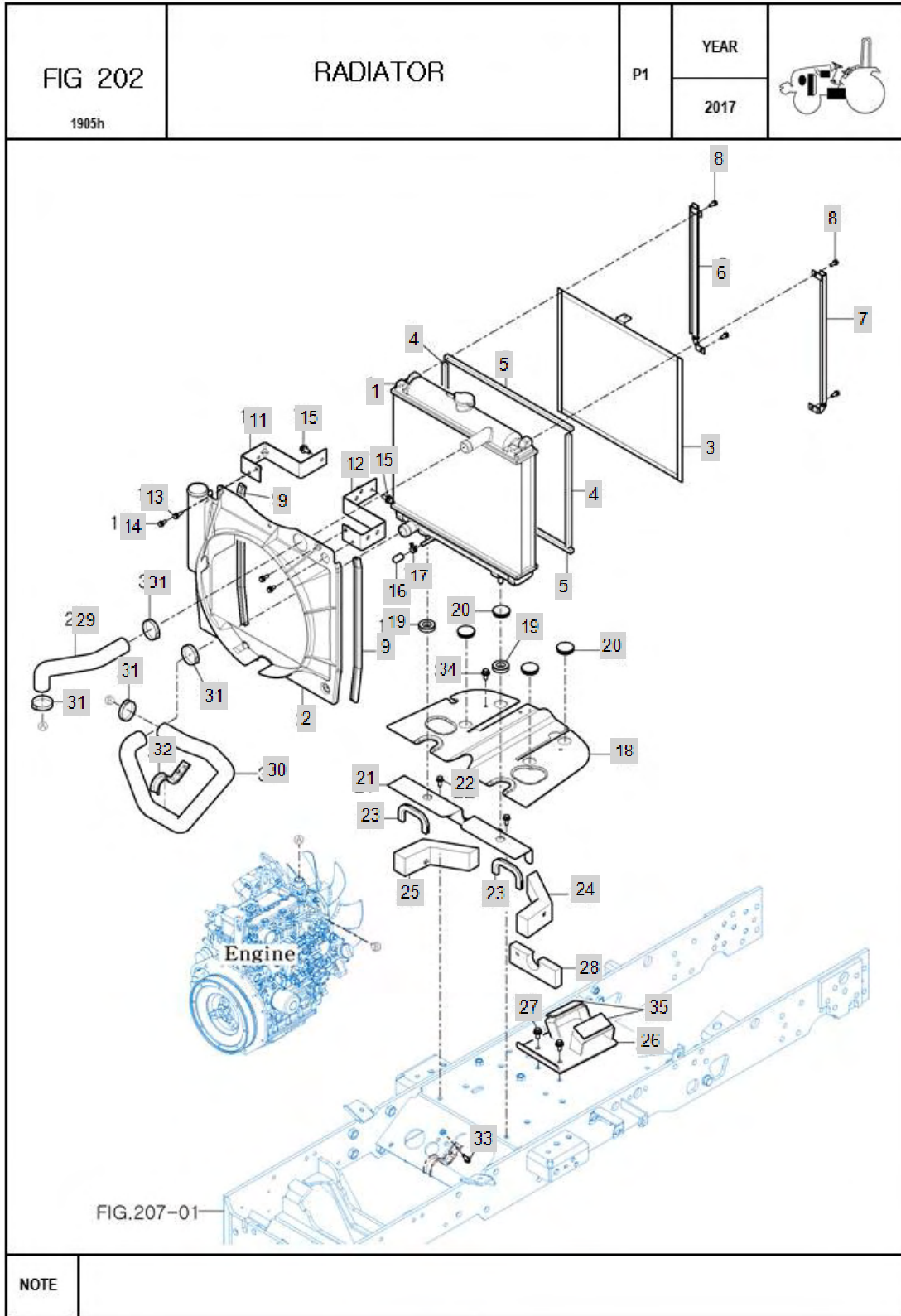




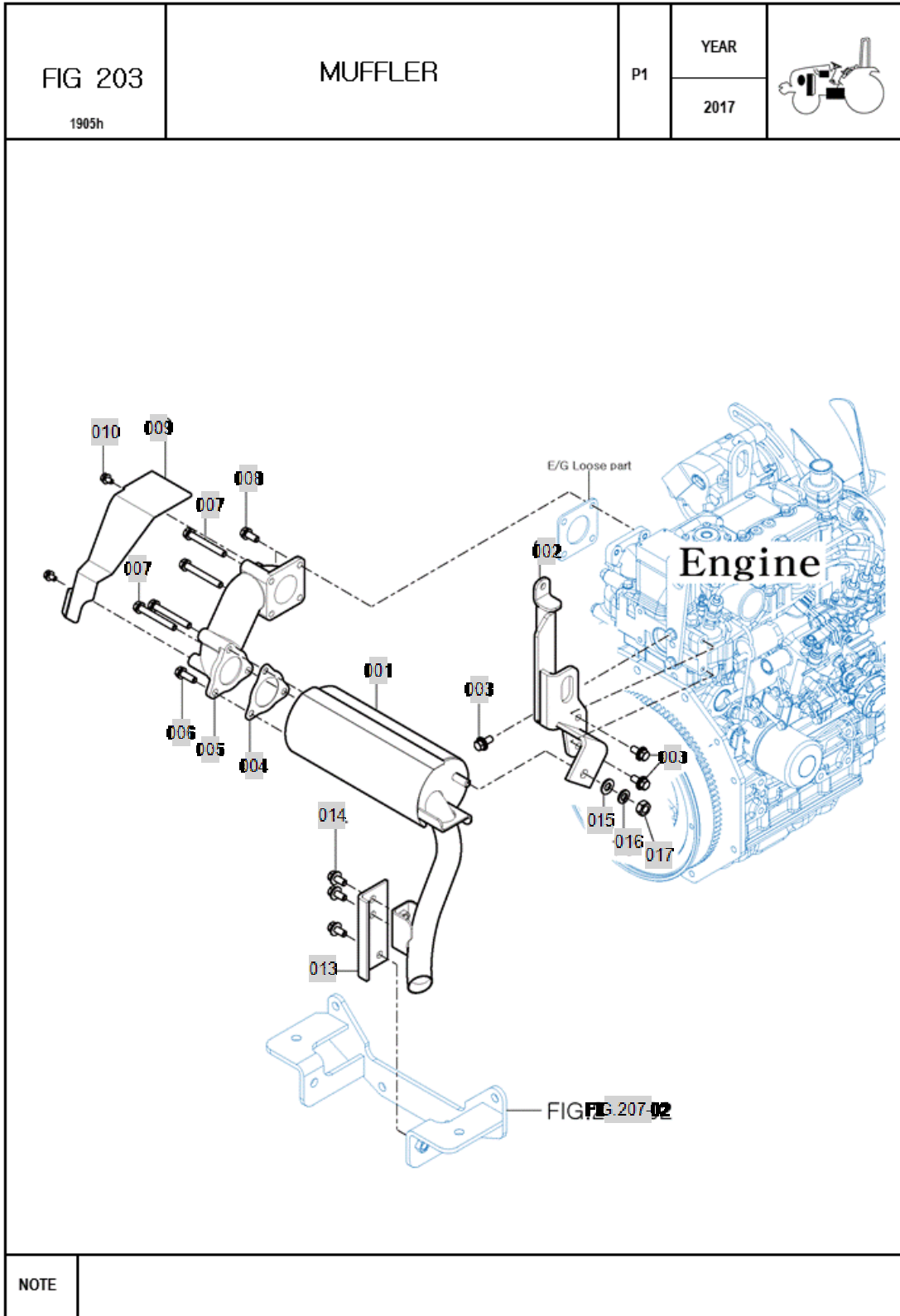
FIG C203

Branson 1905h EU-T

MUFFLER

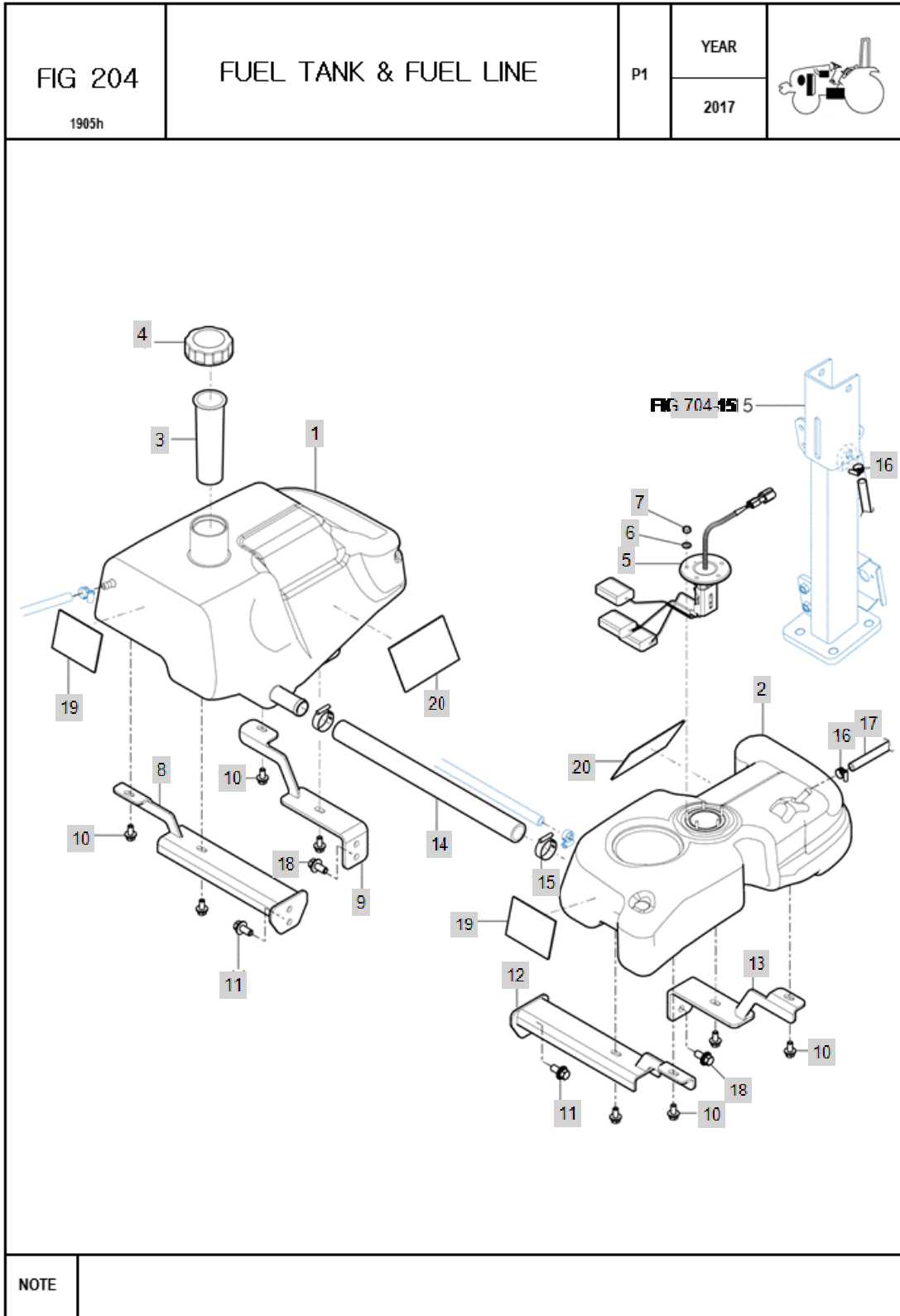
Year/Month

2020-07











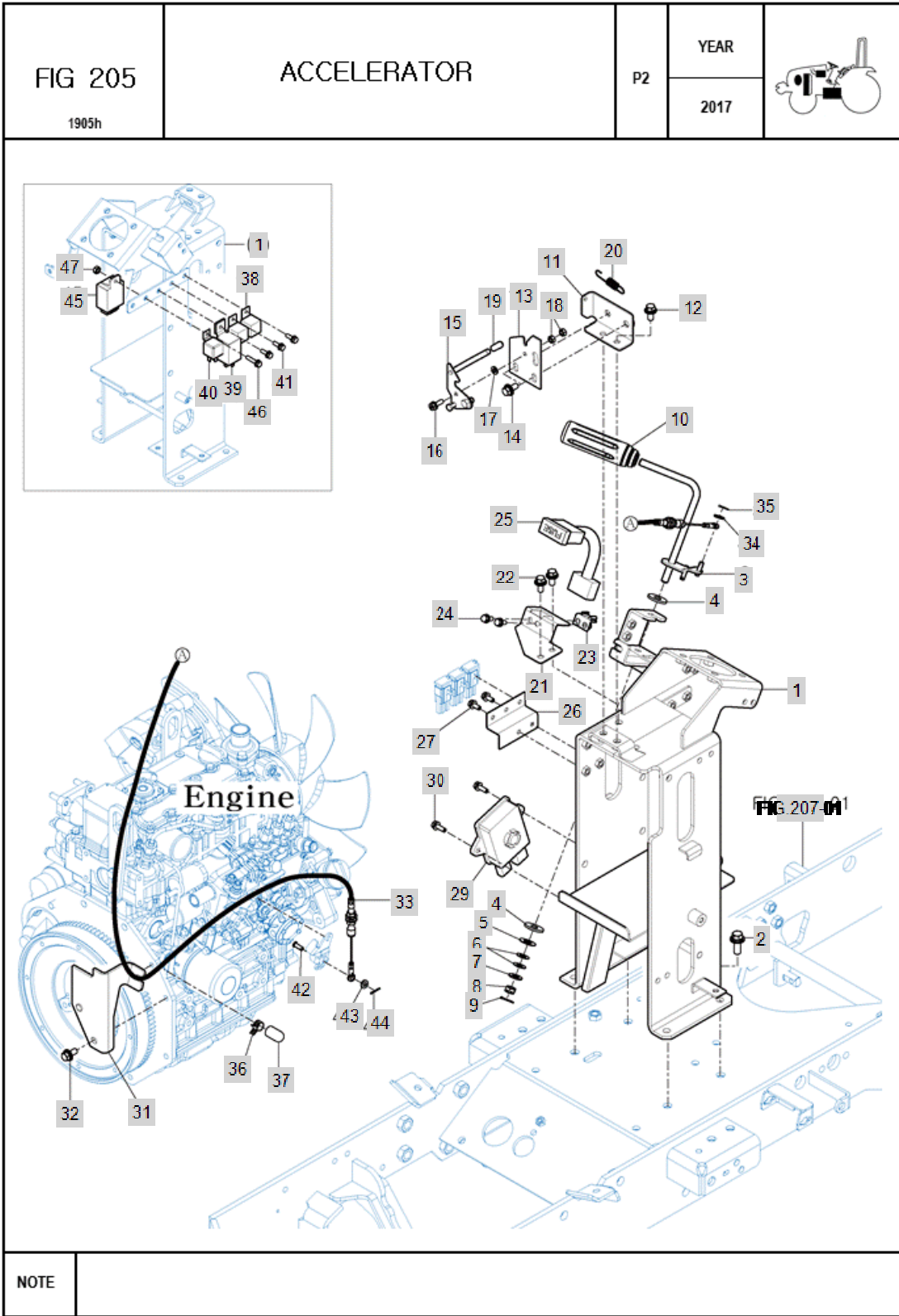


FIG C205-1		ACCELERATOR			Year/Month
Branson 1905h EU-T					2020-07
KeyNo.	Part Number	Part Name	Quantity	Other	
1	TA00052121A	PANEL COMP, DASH	1		
2	26016-100252		4		
3	TA00052122A	ACCELERATOR LEVER COMP	1		
4	TA00052123A	LINING , 11X30X03	2		
5	TA00052124A	WASHER	1		
6	TA00053101A	WASHER , JERBSI SPRING/10	2		
7	TA00053740 A		1		
8	V3232600100	NUT	1		
9	V5001920015	PIN	1		
10	TA00053102A	GRIP , REVERSE	1		
11	TA00053103A	HOOD COMP , LOCK G	1		
12	26016-080202		2		
13	TA00053104A	STAY HOOD B	1		
14	26016-080202		2		
15	TA00053105A	STAY COMP , HOOD A	1		
16	V2003606020		1		
17	22137-060000	WASHER , PLAIN	1		
18	26716-060002	HEX NUT (Φ6)	2		
19	TA00053106A	GRIP , LEVER	1		
20	TA00053107A	SPRING , TENSION 53	1		
21	TA00052125A	FUSE BOX BKT	1		
22	26016-080202		2		
23	TA00052126A	BRACKET COMP , FUSE BOX	1		
24	26016-060162	BOLT , HEX /SP	2		
25	TA00052127A	FUSE BOX ASSY	1		
26	TA00052128A	FUSE PLATE	1		
27	26016-060162	BOLT , HEX /SP	2		
29	TA00052129A	DRIVER , SOLENOID	1		
30	26016-060202	SCREW,CAPTIVEWASHERCAP	2		
31	TA00052130A	ACCEL WIRE HOLDER	1		
32	26016-100202		1		
33	TA00052131A	ACCEL. CABLE ASSY	1		
34	22137-060000	WASHER , PLAIN	1		
35	22417-200200	PIN , COTTER (2-20)	1		
36	TA00052132A	CLIP , HOSE D=12.5	1		
37	TA00052092A	CAP , RADIATOR	1		
38	TA00052134A	RELAY 5P	2		
39	TA00052135A	FLASHER UNIT	1		
40	TA00052136A	RELAY , PREHEAT	1		
41	26016-060162	BOLT , HEX /SP	3		
42	TA00052137A	PIN , 06X16	1		
43	22137-060000	WASHER , PLAIN	1		
44	V5001920015	PIN	1		
45	TA00052138A	RELAY ASSY , TWIN	1		
46	26016-060252	SCREW , CAPTIVE WASHER CAP	1		



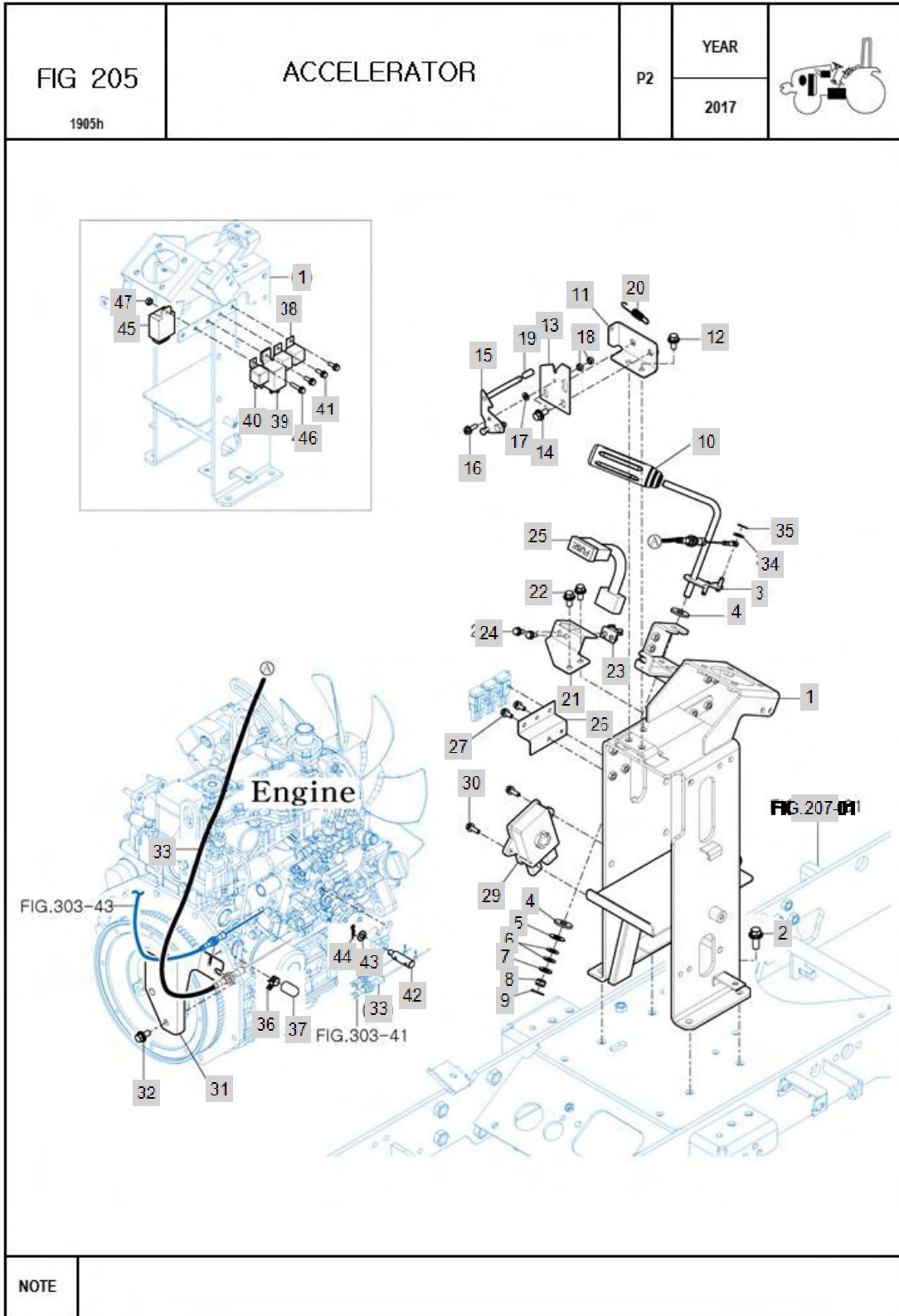
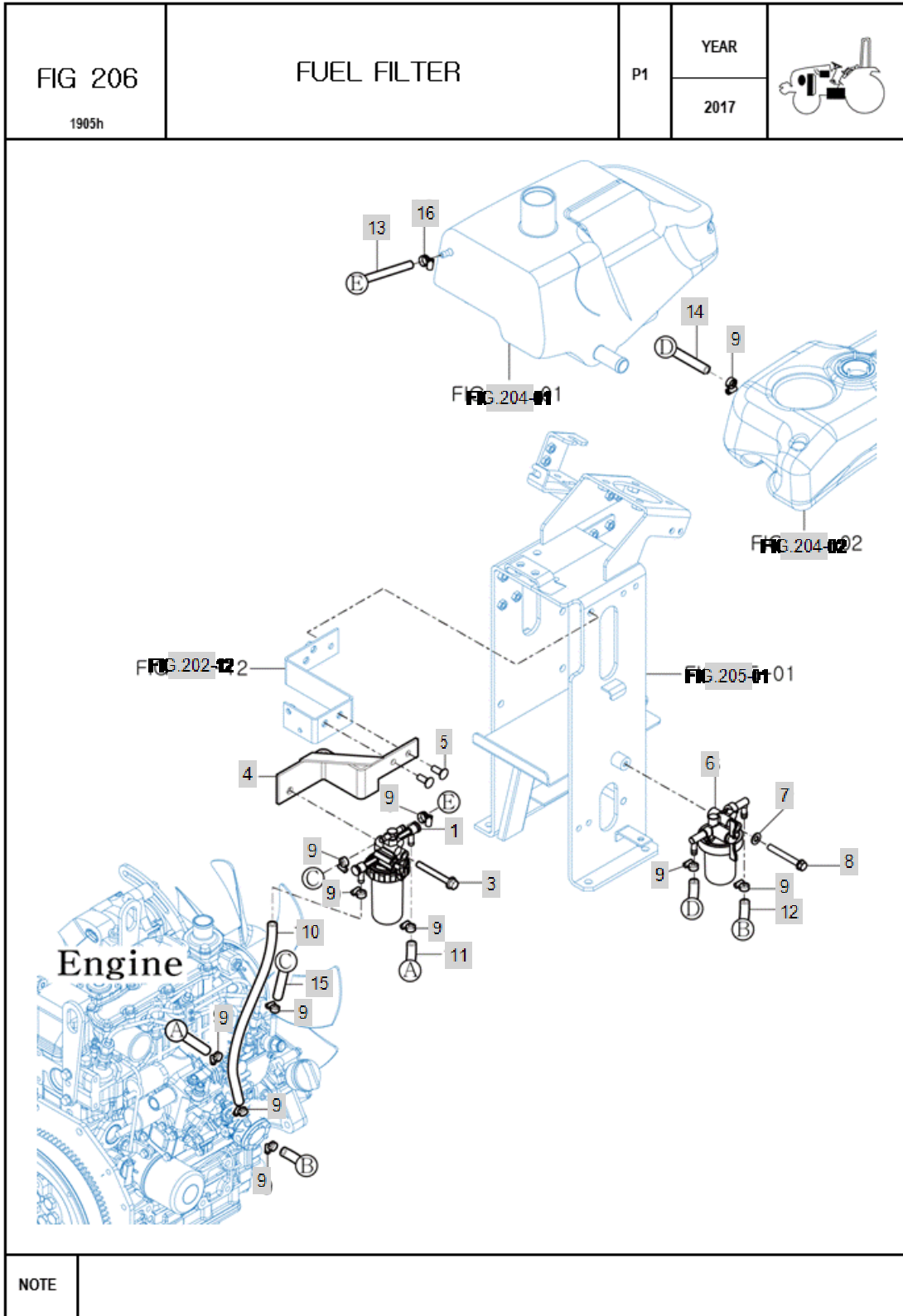


FIG C205-2		ACCELERATOR(2017.10.01)		Year/Month
Branson 1905h EU-T				2020-07
KeyNo.	Part Number	Part Name	Quantity	Other
1	TA00052121A	PANEL COMP, DASH	1	
2	26016-100252		4	
3	TA00052122A	ACCELERATOR LEVER COMP	1	
4	TA00052123A	LINING , 11X30X03	2	
5	TA00052124A	WASHER	1	
6	TA00053101A	WASHER , JERBSI SPRING/10	2	
7	TA00053740 A		1	
8	V3232600100	NUT	1	
9	V5001920015	PIN	1	
10	TA00053102A	GRIP , REVERSE	1	
11	TA00053103A	HOOD COMP , LOCK G	1	
12	26016-080202		2	
13	TA00053104A	STAY HOOD B	1	
14	26016-080202		2	
15	TA00053105A	STAY COMP , HOOD A	1	
16	V2003606020		1	
17	22137-060000	WASHER , PLAIN	1	
18	26716-060002	HEX NUT (Φ6)	2	
19	TA00053106A	GRIP , LEVER	1	
20	TA00053107A	SPRING , TENSION 53	1	
21	TA00052125A	FUSE BOX BKT	1	
22	26016-080202		2	
23	TA00052126A	BRACKET COMP , FUSE BOX	1	
24	26016-060162	BOLT , HEX /SP	2	
25	TA00052127A	FUSE BOX ASSY	1	
26	TA00052128A	FUSE PLATE	1	
27	26016-060162	BOLT , HEX /SP	2	
29	TA00052129A	DRIVER , SOLENOID	1	
30	26016-060202	SCREW,CAPTIVEWASHERCAP	2	
31	TA00052581A	HOLDER COMP, ACCEL WIRE	1	
32	26016-100202		1	
33	TA00052581A	HOLDER COMP, ACCEL WIRE	1	
34	22137-060000	WASHER , PLAIN	1	
35	22417-200200	PIN , COTTER (2-20)	1	
36	TA00052132A	CLIP , HOSE D=12.5	1	
37	TA00052092A	CAP , RADIATOR	1	
38	TA00052134A	RELAY 5P	2	
39	TA00052135A	FLASHER UNIT	1	
40	TA00052136A	RELAY , PREHEAT	1	
41	26016-060162	BOLT , HEX /SP	3	
42	TA00052899A	PIN , ACCELERATOR	1	
43	22137-060000	WASHER , PLAIN	1	
44	22360-080000	PIN , SNAP (8Φ)	1	
45	TA00052138A	RELAY ASSY , TWIN	1	
46	26016-060252	SCREW , CAPTIVE WASHER CAP	1	









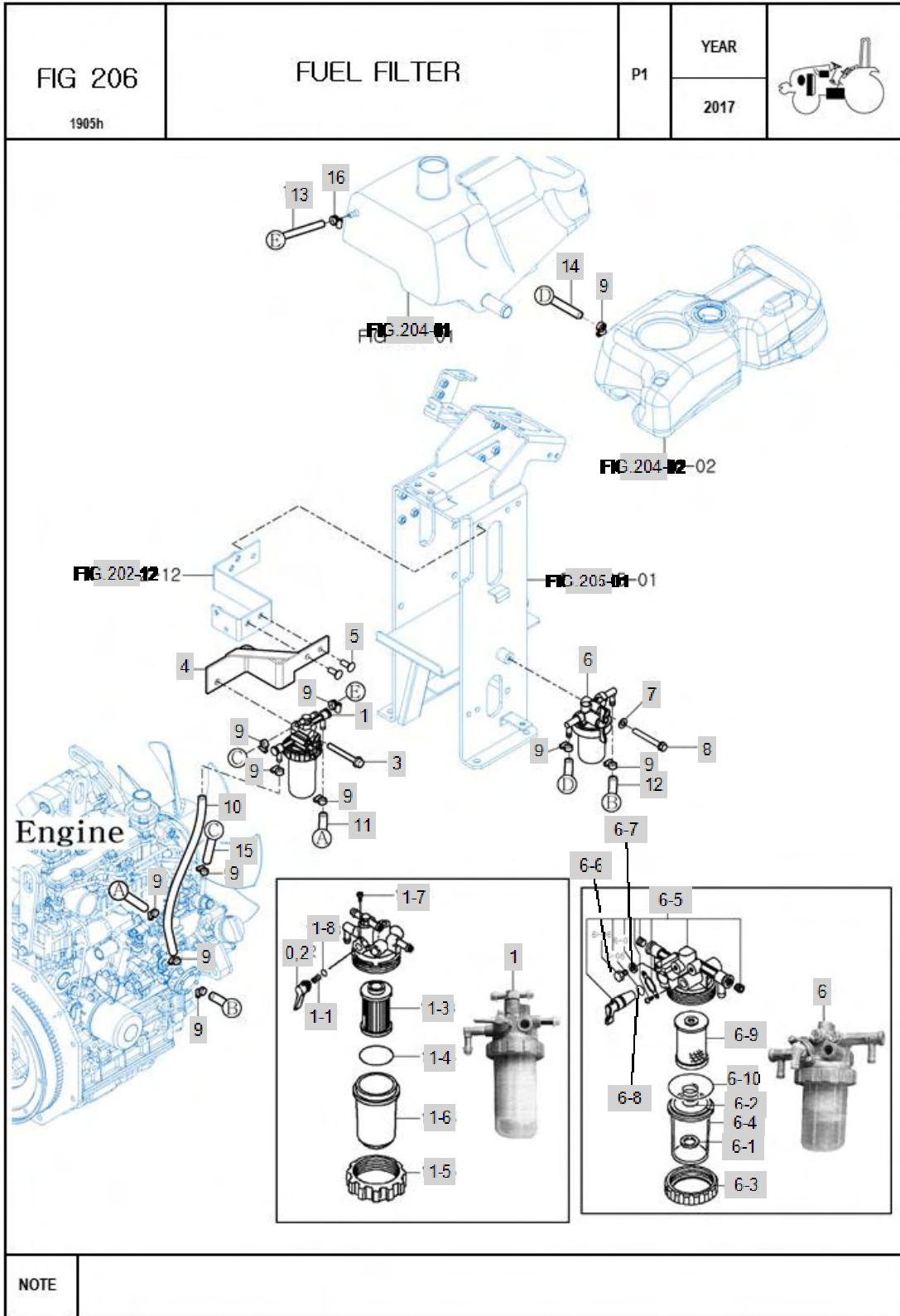




FIG C207

Branson 1905h EU-T

ENGINE MOUNTING

Year/Month

2020-07

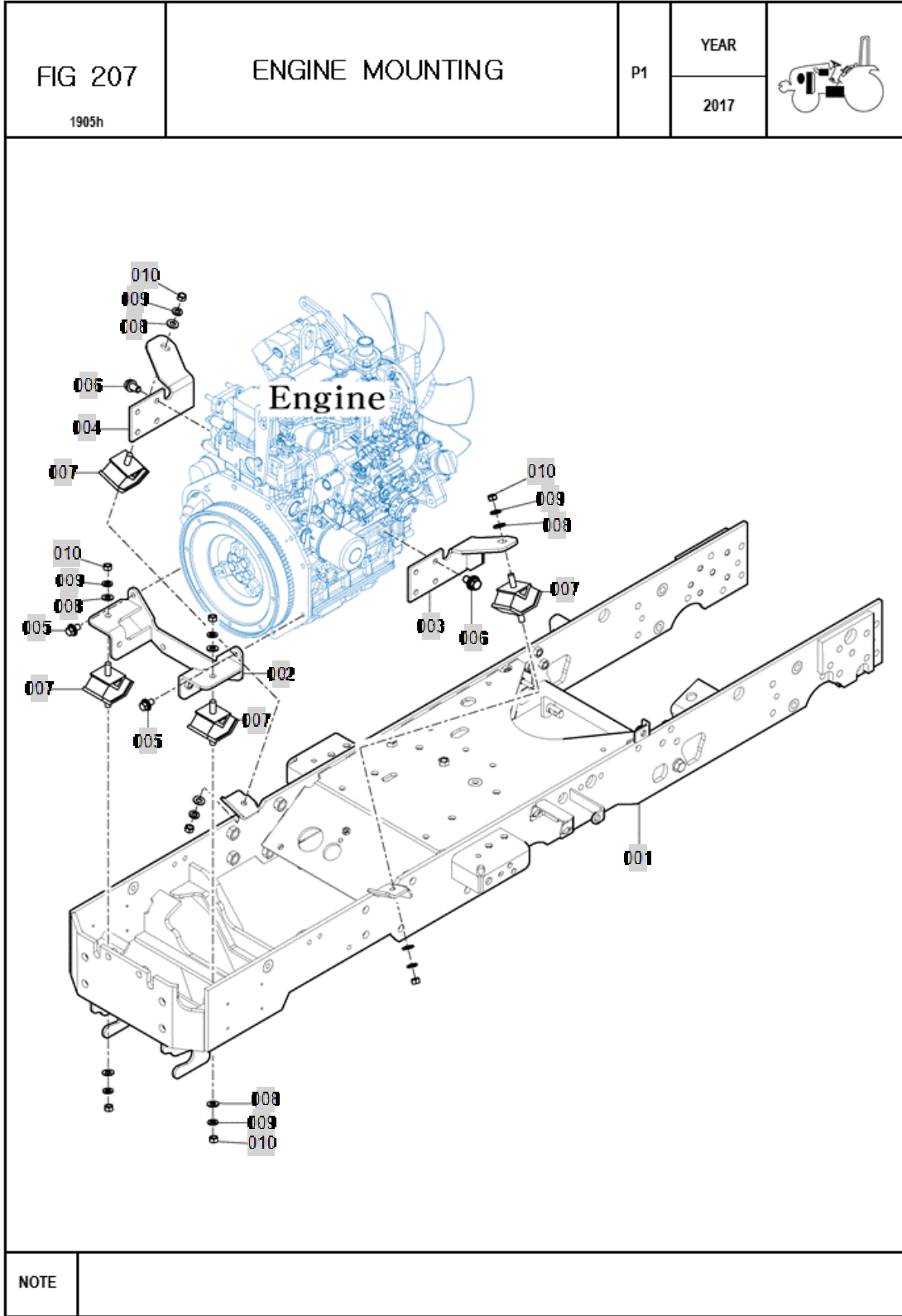




FIG C302

Branson 1905h EU-T

BRAKE PEDAL & LINKAGE

Year/Month

2020-07

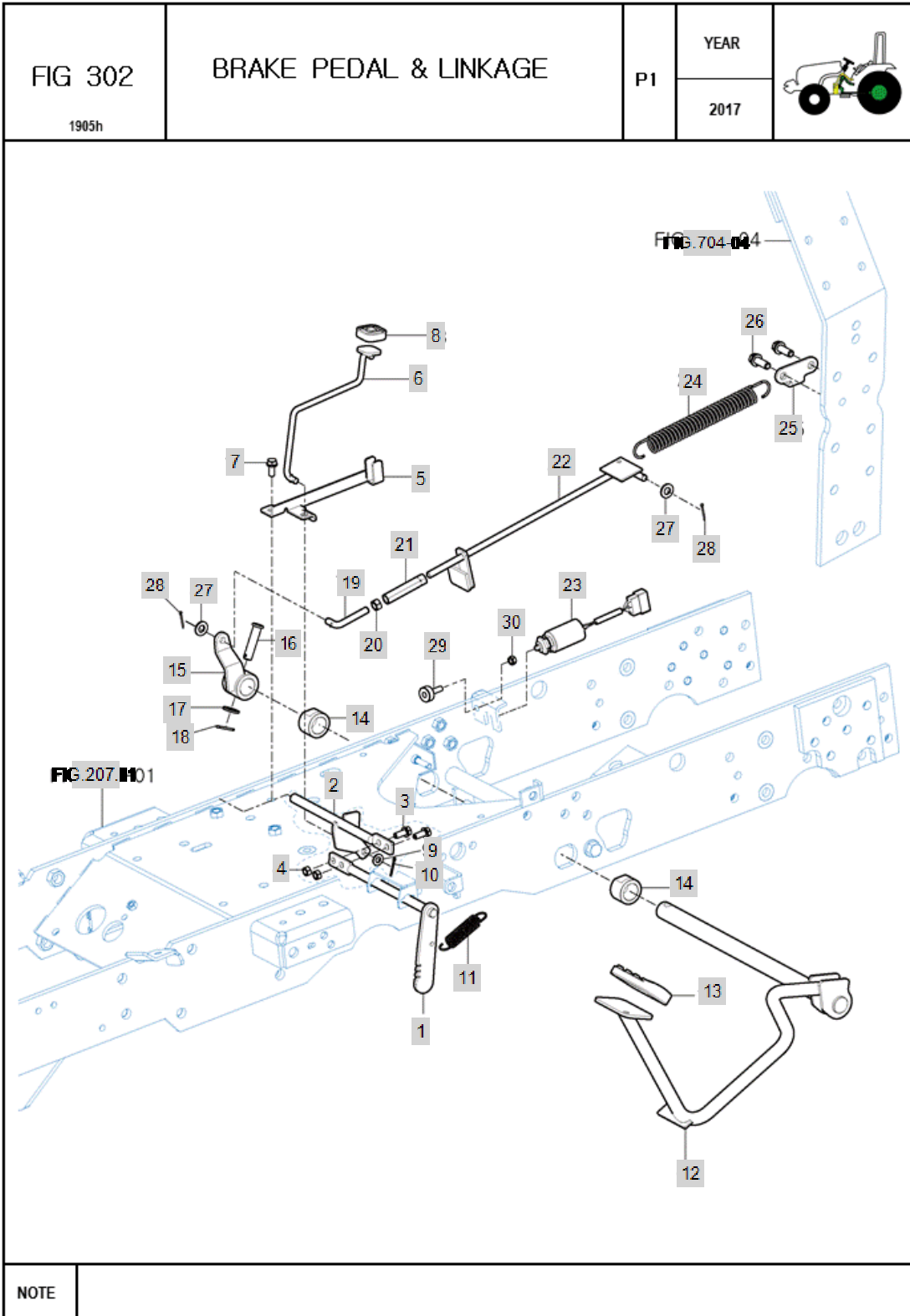






FIG 303

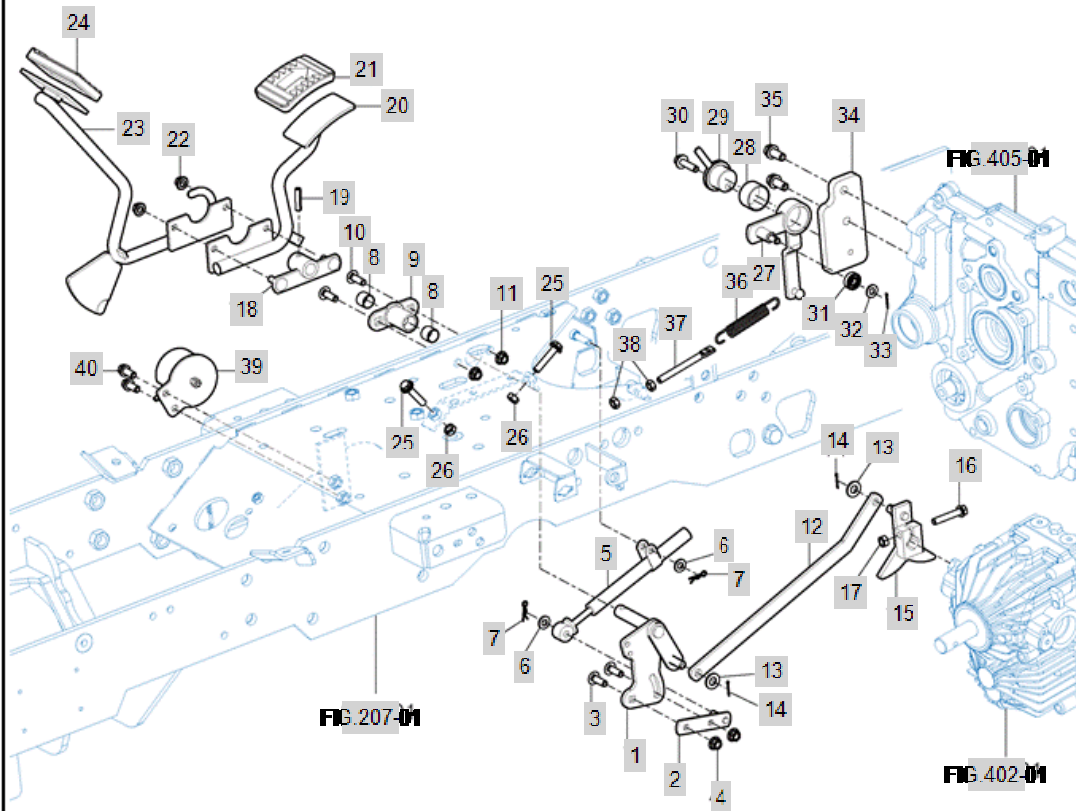
1905h

SPEED CONTROL

P1

YEAR

2017



NOTE

FIG C303-1		SPEED CONTROL			Year/Month
Branson 1905h EU-T					2020-07
KeyNo.	Part Number	Part Name	Quantity	Other	
1	TA00052170A	PEDAL LINK COMP , HST	1		
2	TA00052171A	DAMPER PIN COMP	1		
3	TA00053115A	CUP HEAD SQUARE NECK BOLT	2		
4	26367-080002	HEX FLANGE NUT (Φ8)	2		
5	TA00052172A	DAMPER , OIL	1		
6	22137-080000	WASHER, PLAIN (Φ 08)	2		
7	V5601600008	PIN, SNAP	2		
8	TA00052173A	BUSH , 16X18X15	2		
9	TA00052174A	BOSS	1		
10	TA00052175A	BOLT , ROUND	2		
11	V3802600100	NUT , HEX FLANGE	2		
12	TA00052176A	CONTROL PLATE	1		
13	TA00053740A	WASHER , PLAIN	2	V4111600100	
14	V5001920015	PIN	2		
15	TA00052177A	COMP , HOLDER	1		
16	V2173608045	BOLT(S)	1		
17	26712-080002	HEX NUT	1		
18	TA00052178A	COMP , PEDAL BOSS	1		
19	V5801408032		1		
20	TA00052179A	COMP , PEDAL(REVERSE)	1		
21	TA00052180A	PAD	1		
22	26367-080002	HEX FLANGE NUT (Φ8)	2		
23	TA00052181A	COMP , PEDAL(FORWARD)	1		
24	TA00052182A	PAD	1		
25	26116-080302	HEXAGONHEADED BOLT	2		
26	26712-080002	HEX NUT	2		
27	TA00052183A	ARM COMP , CAM	1		
28	TA00052184A	BUSH	1		
29	TA00052185A	COMP , NEUTRAL LEVER	1		
30	V2143610035	BOLT .HEX FINE MACHINE/S	1		
31	TA00052186A	BEARING , BALL	1		
32	22137-080000	WASHER, PLAIN (Φ 08)	1		
33	V5001920015	PIN	1		
34	TA00052187A	BRACKET	1		
35	26106-100352	SCREW ,HEXFLANGEHEADCAP	2		
36	TA00052188A	SPRING , RETURN	1		
37	TA00052189A	ROD , CHAIN(TENSION)(82)	1		
38	26712-080002	HEX NUT	2		
39	TA00052190A	MAGNETIC ASSY , CRUISE	1		
40	26013-080202	Bolt, Hexa (8-20)	2		
FIG.207-01	C207		0		
FIG.402-01	C402		0		
FIG.405-01	C405		0		

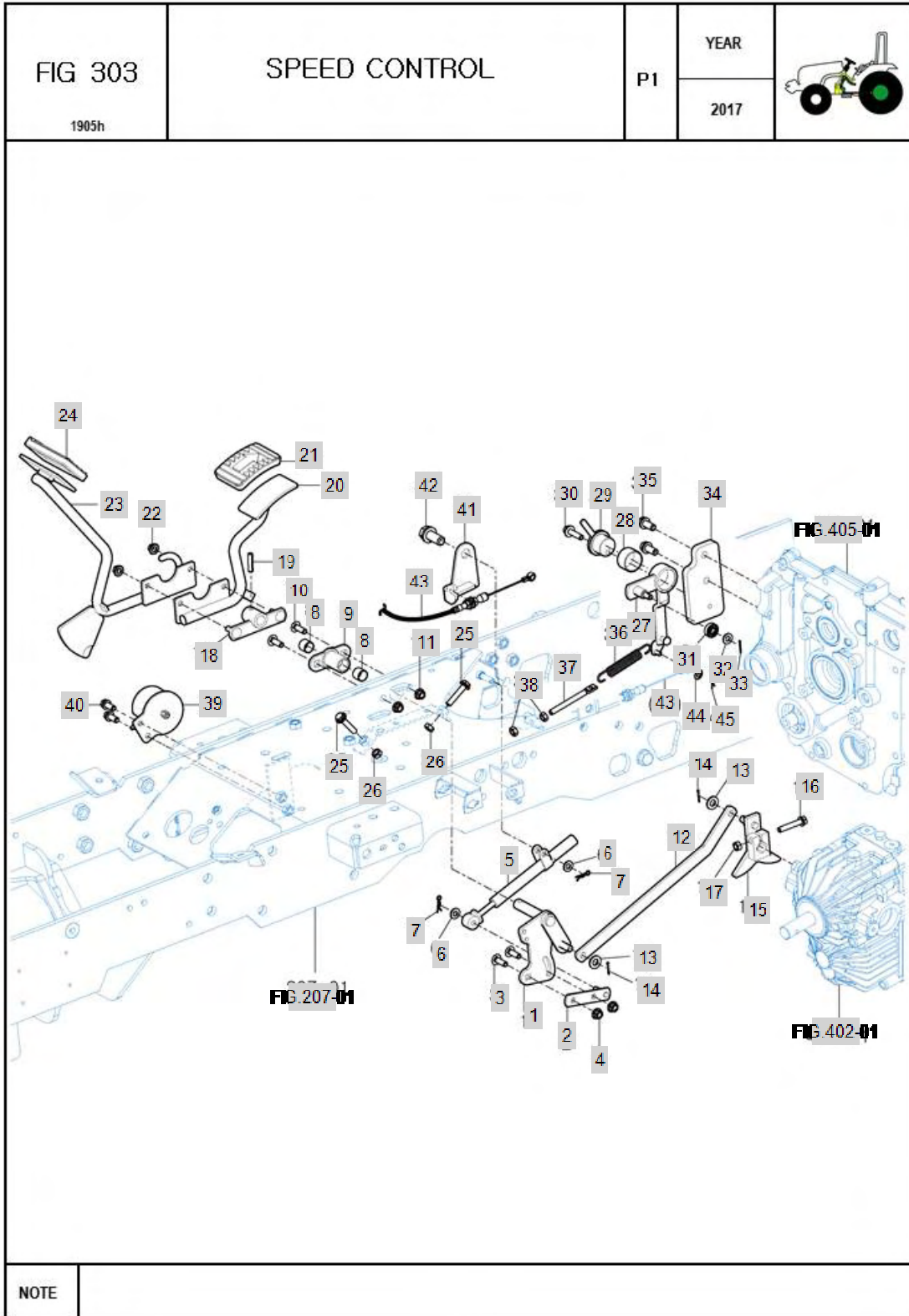


FIG C303-2		SPEED CONTROL(2017.10)			Year/Month
Branson 1905h EU-T					2020-07
KeyNo.	Part Number	Part Name	Quantity	Other	
1	TA00052170A	PEDAL LINK COMP , HST	1		
2	TA00052171A	DAMPER PIN COMP	1		
3	TA00053115A	CUP HEAD SQUARE NECK BOLT	2		
4	26367-080002	HEX FLANGE NUT (Φ8)	2		
5	TA00052172A	DAMPER , OIL	1		
6	22137-080000	WASHER, PLAIN (Φ 08)	2		
7	V5601600008	PIN, SNAP	2		
8	TA00052173A	BUSH , 16X18X15	2		
9	TA00052174A	BOSS	1		
10	TA00052175A	BOLT , ROUND	2		
11	V3802600100	NUT , HEX FLANGE	2		
12	TA00052176A	CONTROL PLATE	1		
13	TA00053740A	WASHER , PLAIN	2	V4111600100	
14	V5001920015	PIN	2		
15	TA00052177A	COMP , HOLDER	1		
16	V2173608045	BOLT(S)	1		
17	26712-080002	HEX NUT	1		
18	TA00052178A	COMP , PEDAL BOSS	1		
19	V5801408032		1		
20	TA00052179A	COMP , PEDAL(REVERSE)	1		
21	TA00052180A	PAD	1		
22	26367-080002	HEX FLANGE NUT (Φ8)	2		
23	TA00056658A	COMP , PEDAL(FORWARD)	1		
24	TA00052182A	PAD	1		
25	26116-080302	HEXAGONHEADED BOLT	2		
26	26712-080002	HEX NUT	2		
27	TA00056659A	ARM COMP , CAM	1		
28	TA00052184A	BUSH	1		
29	TA00052185A	COMP , NEUTRAL LEVER	1		
30	V2143610035	BOLT .HEX FINE MACHINE/S	1		
31	TA00052186A	BEARING , BALL	1		
32	22137-080000	WASHER, PLAIN (Φ 08)	1		
33	V5001920015	PIN	1		
34	TA00052187A	BRACKET	1		
35	26106-100352	SCREW ,HEXFLANGEHEADCAP	2		
36	TA00052188A	SPRING , RETURN	1		
37	TA00052189A	ROD , CHAIN(TENSION)(82)	1		
38	26712-080002	HEX NUT	2		
39	TA00052190A	MAGNETIC ASSY , CRUISE	1		
40	26013-080202	Bolt, Hexa (8-20)	2		
41	TA00052556A	BRACKET COMP, FIX	1		
42	26116-140352	BOLT7T(14X35)	1		
43	TA00052580A	CABLE ASS'Y, 2130	1		
44	22137-060000	WASHER , PLAIN	1		
45	22360-060000	PIN , SNAP (6Φ)	1		



FIG C304

Branson 1905h EU-T

DASH COVER

Year/Month

2020-07

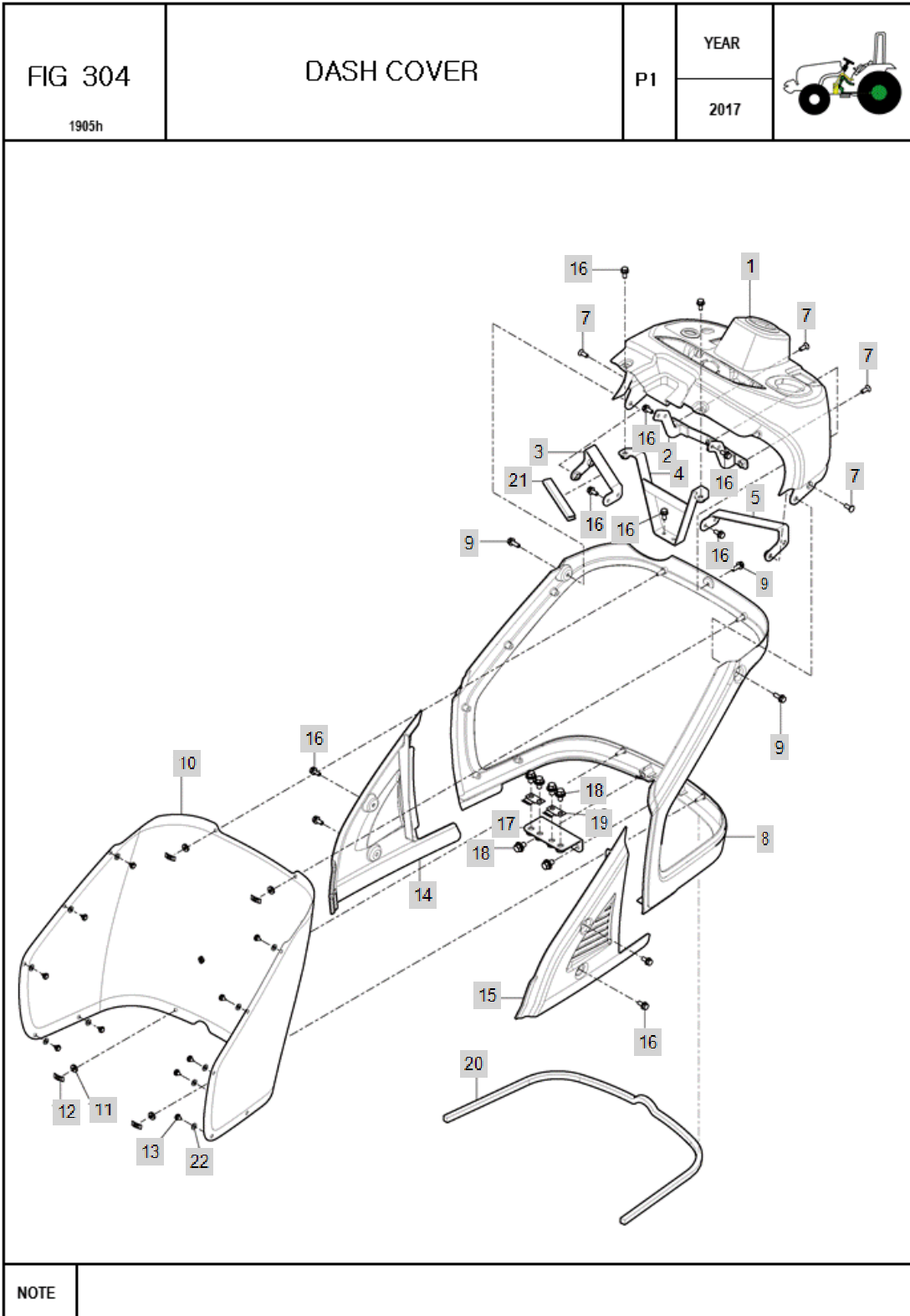






FIG C305

Branson 1905h EU-T

STEERING VALVE

Year/Month

2020-07

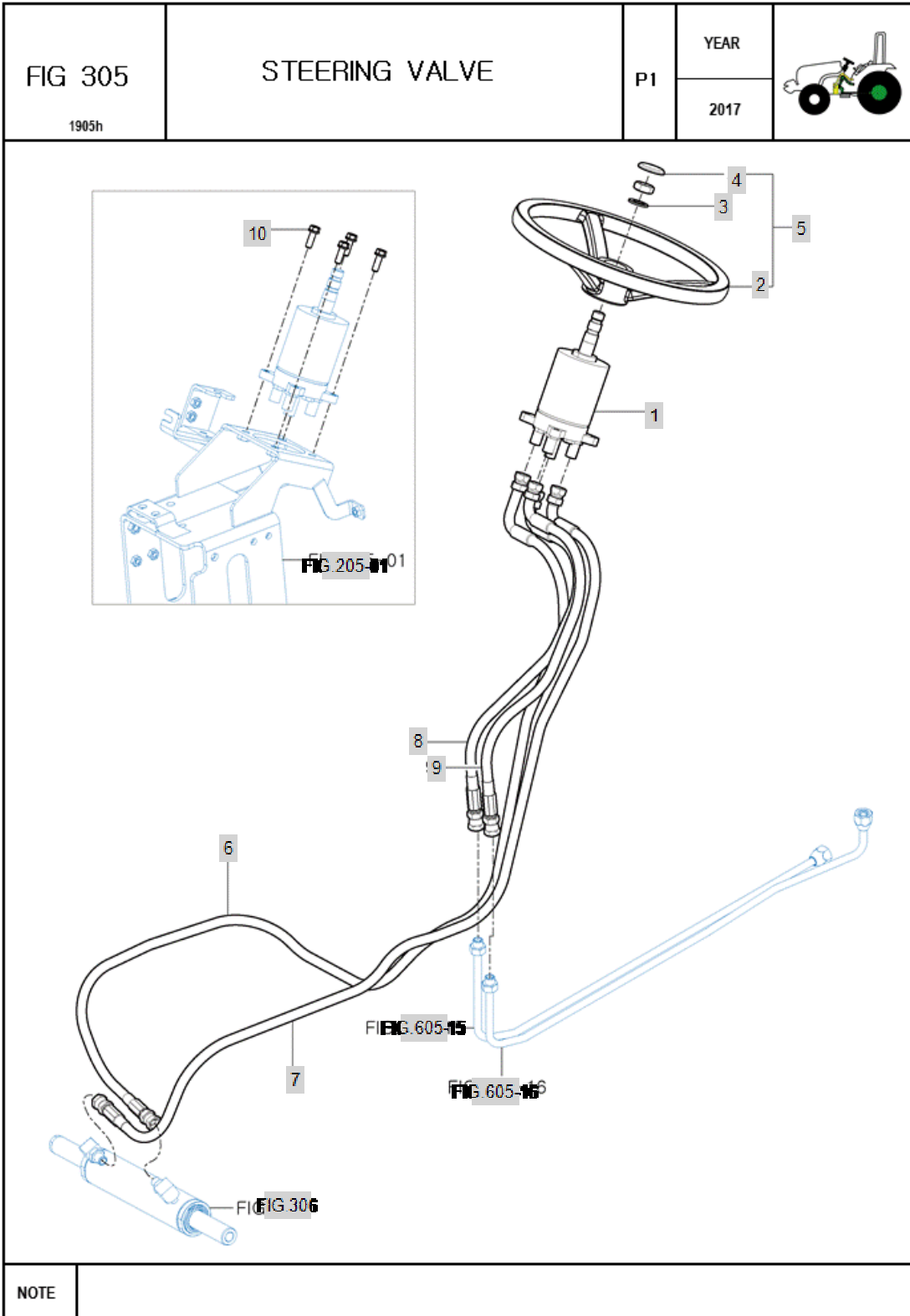




FIG C306

Branson 1905h EU-T

STEERING CYLINDER

Year/Month

2020-07

FIG 306

1905h

STEERING CYLINDER

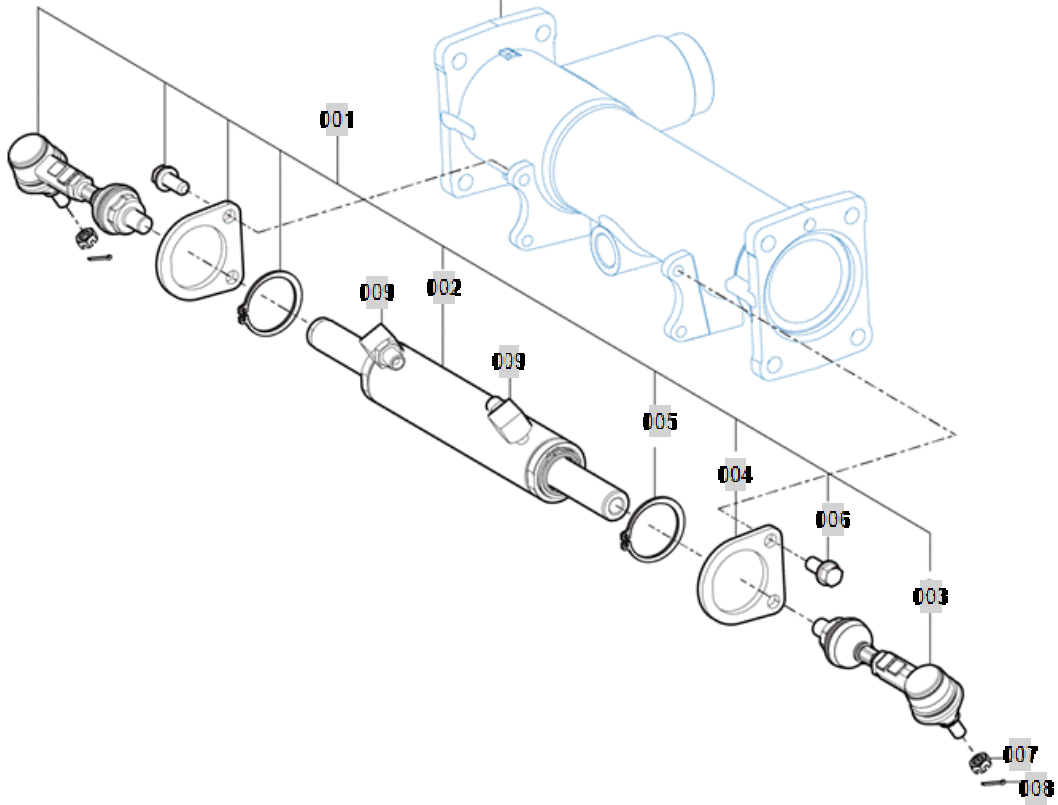
P1

YEAR

2017

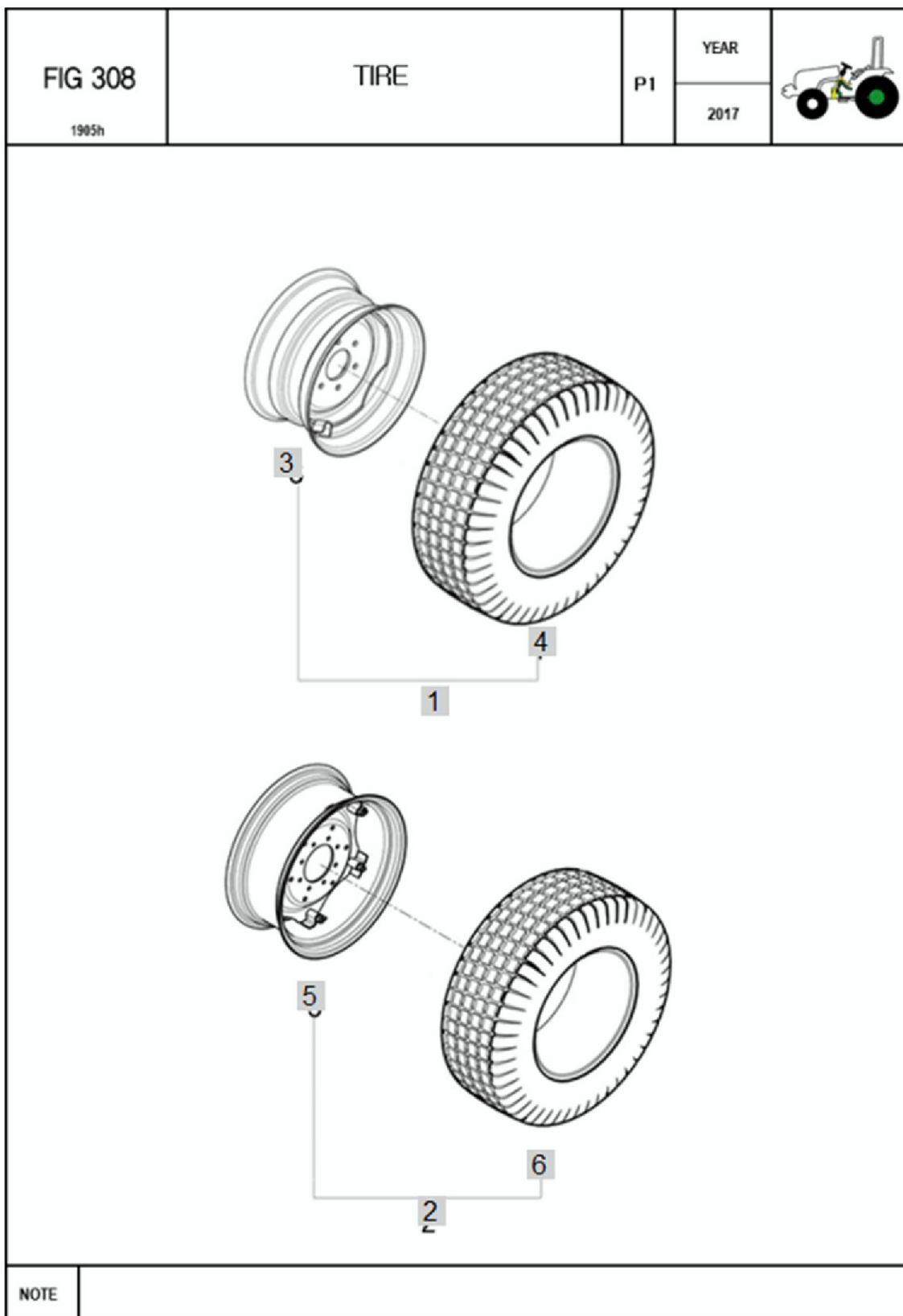


~~FIG 306~~ FIG 504-01



NOTE





NOTE



FIG C401

Branson 1905h EU-T

# INPUT SHAFT

Year/Month

2020-07

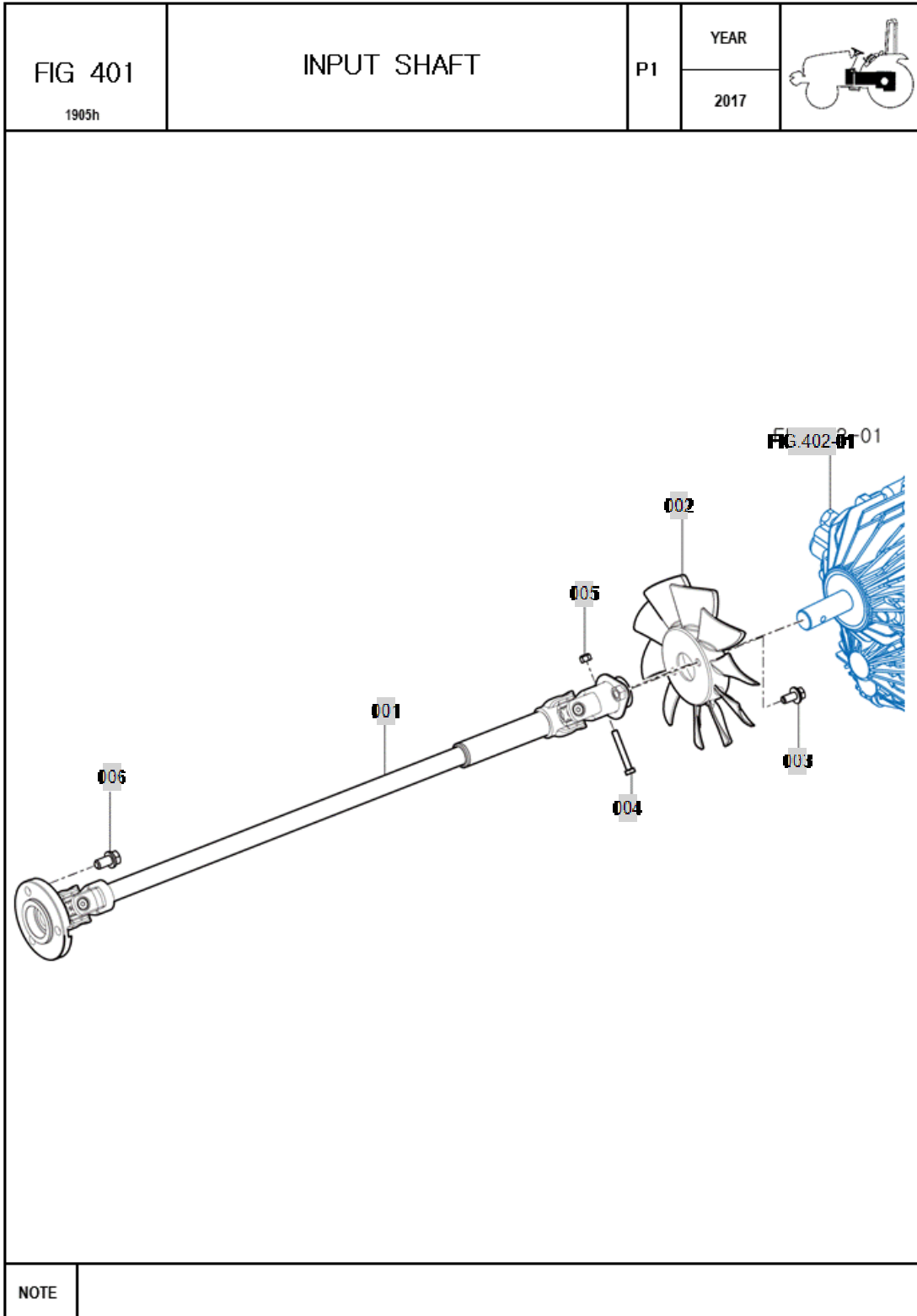






FIG C402

Branson 1905h EU-T

HST

Year/Month

2020-07

FIG 402

1905h

HST

P1

YEAR

2017

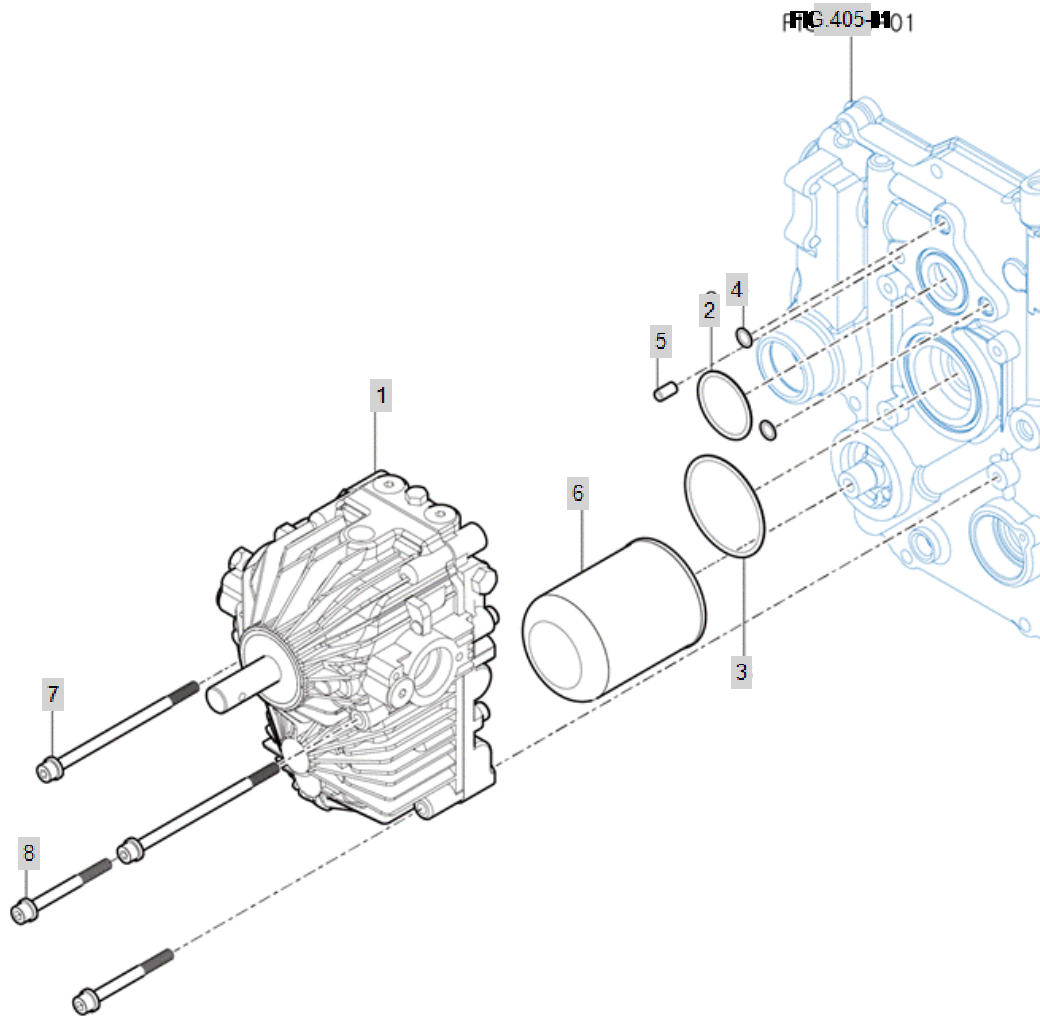
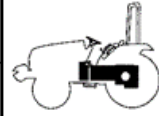


FIG 405-1101

NOTE



FIG C403

Branson 1905h EU-T

PTO CLUTCH SUB& RANGE GEAR SUB

Year/Month

2020-07

FIG 403

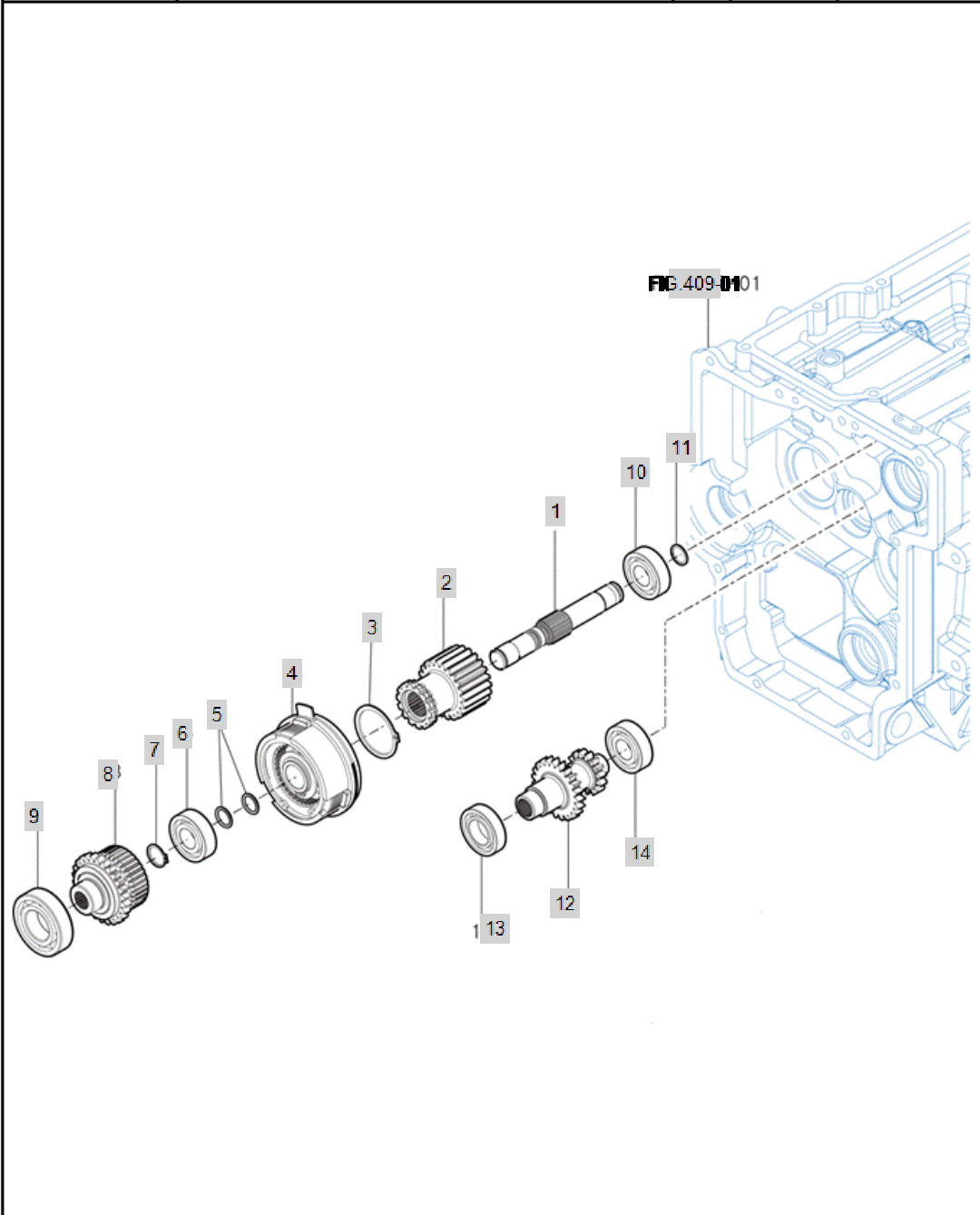
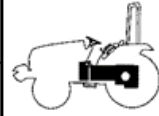
1905h

PTO CLUTCH SUB& RANGE  
GEAR SUB

P1

YEAR

2017



NOTE



FIG C404

SPIRAL BEVEL PINION & 4WD SHAFT SUB

Year/Month

Branson 1905h EU-T

2020-07

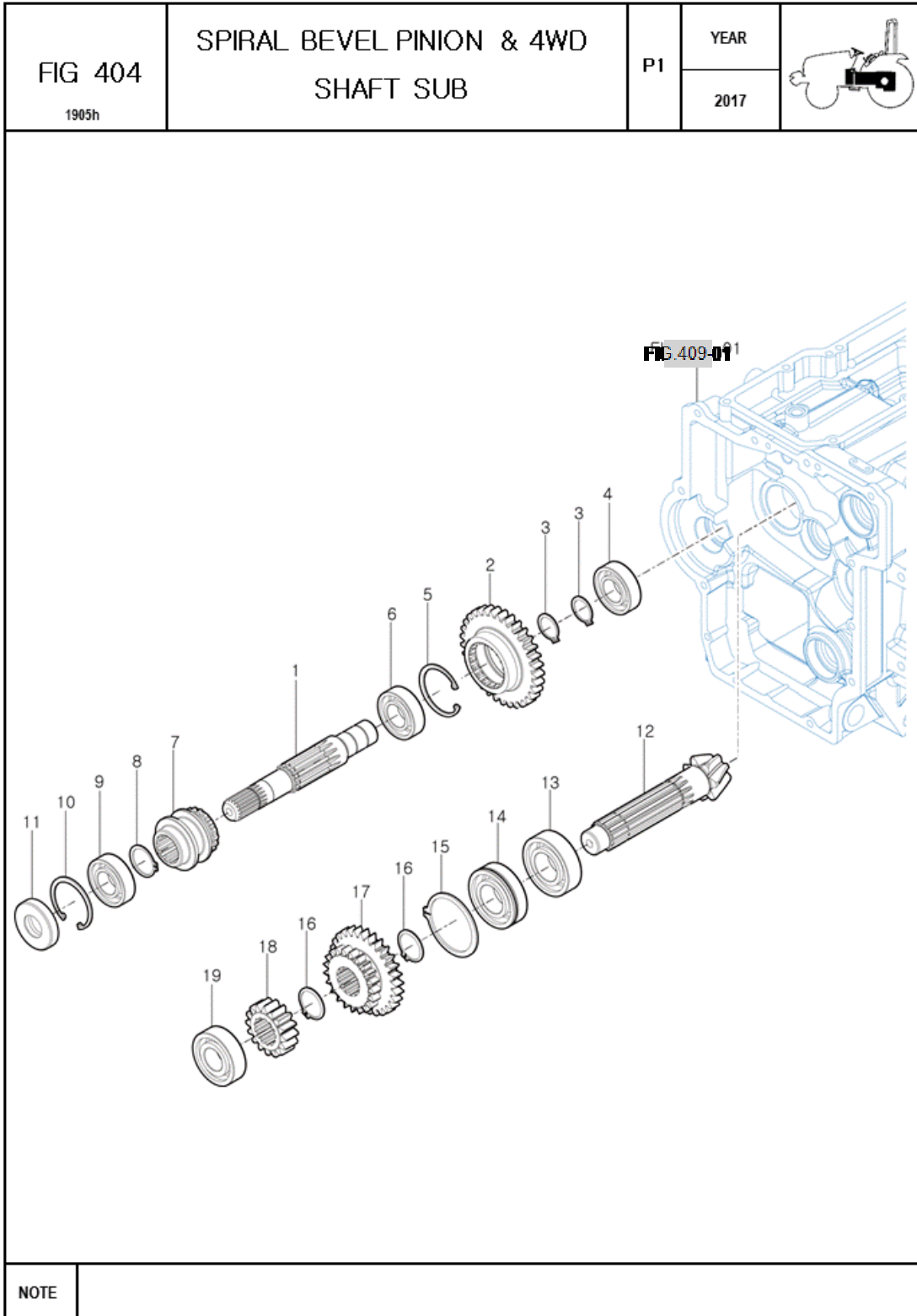




FIG C405

Branson 1905h EU-T

INPUT METAL

Year/Month

2020-07

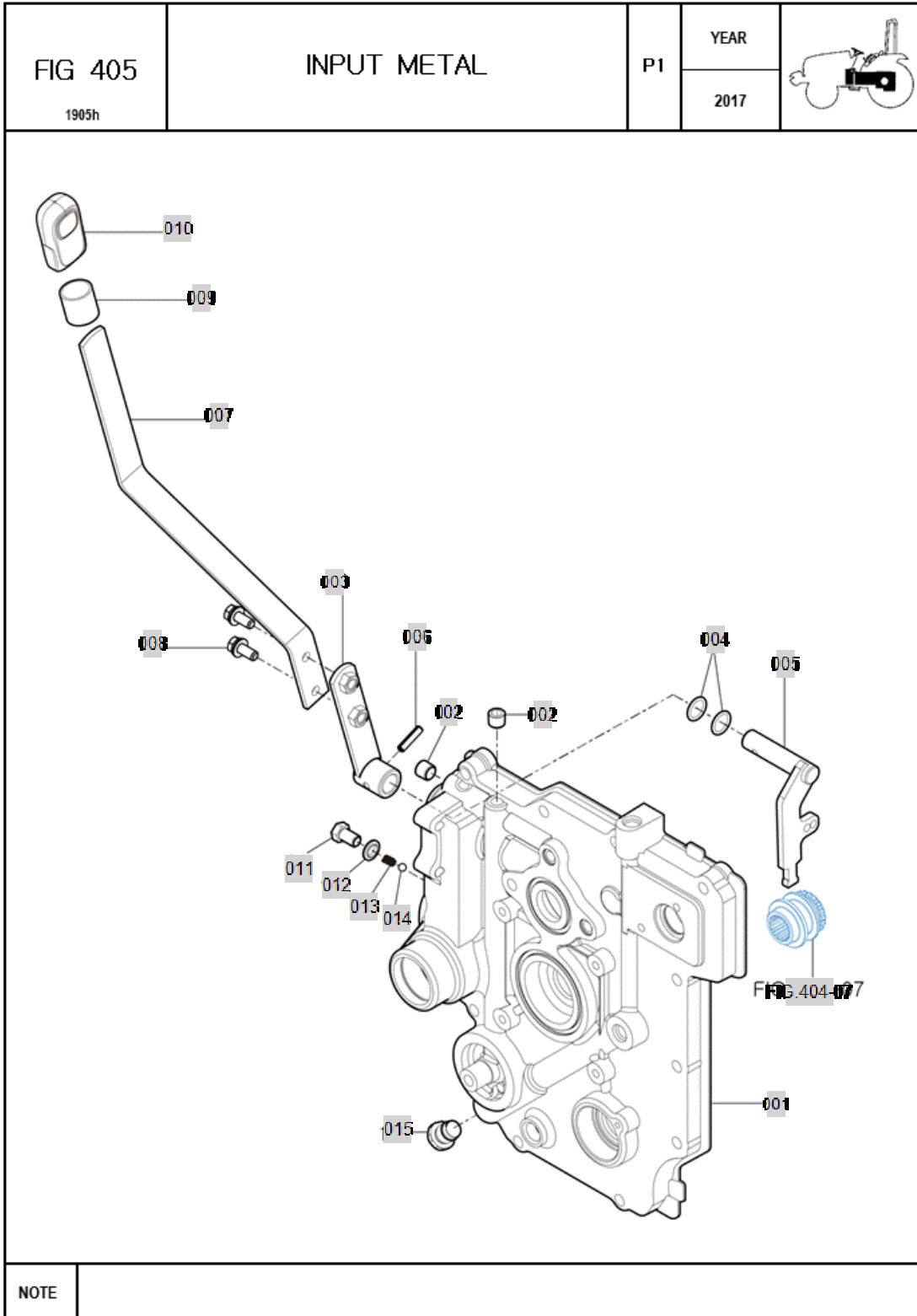






FIG C406

Branson 1905h EU-T

P.T.O DRIVE SHAFT

Year/Month

2020-07

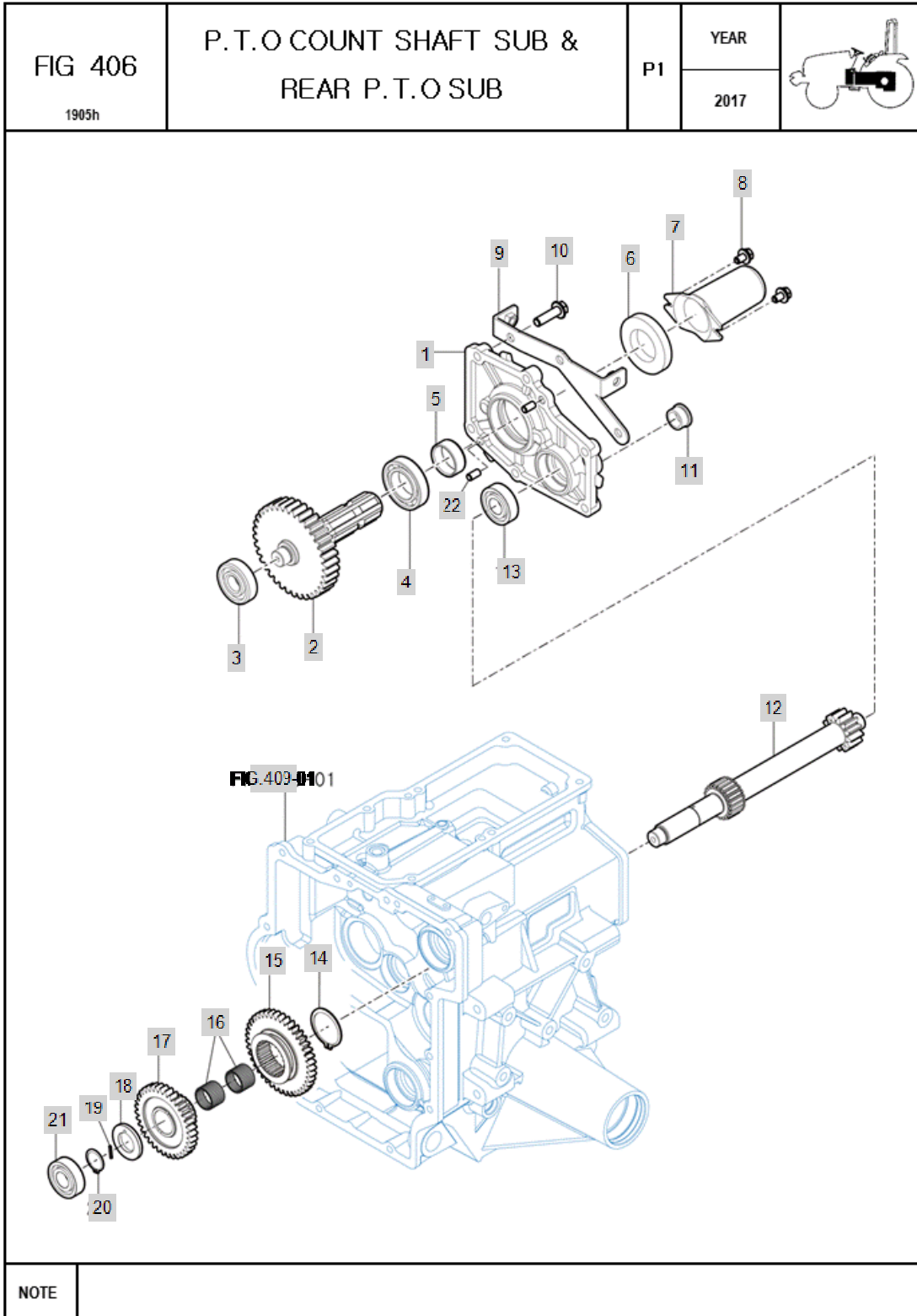




FIG C407

Branson 1905h EU-T

MID P.T.O IDLE GEAR & MID P.T.O SUB

Year/Month

2020-07

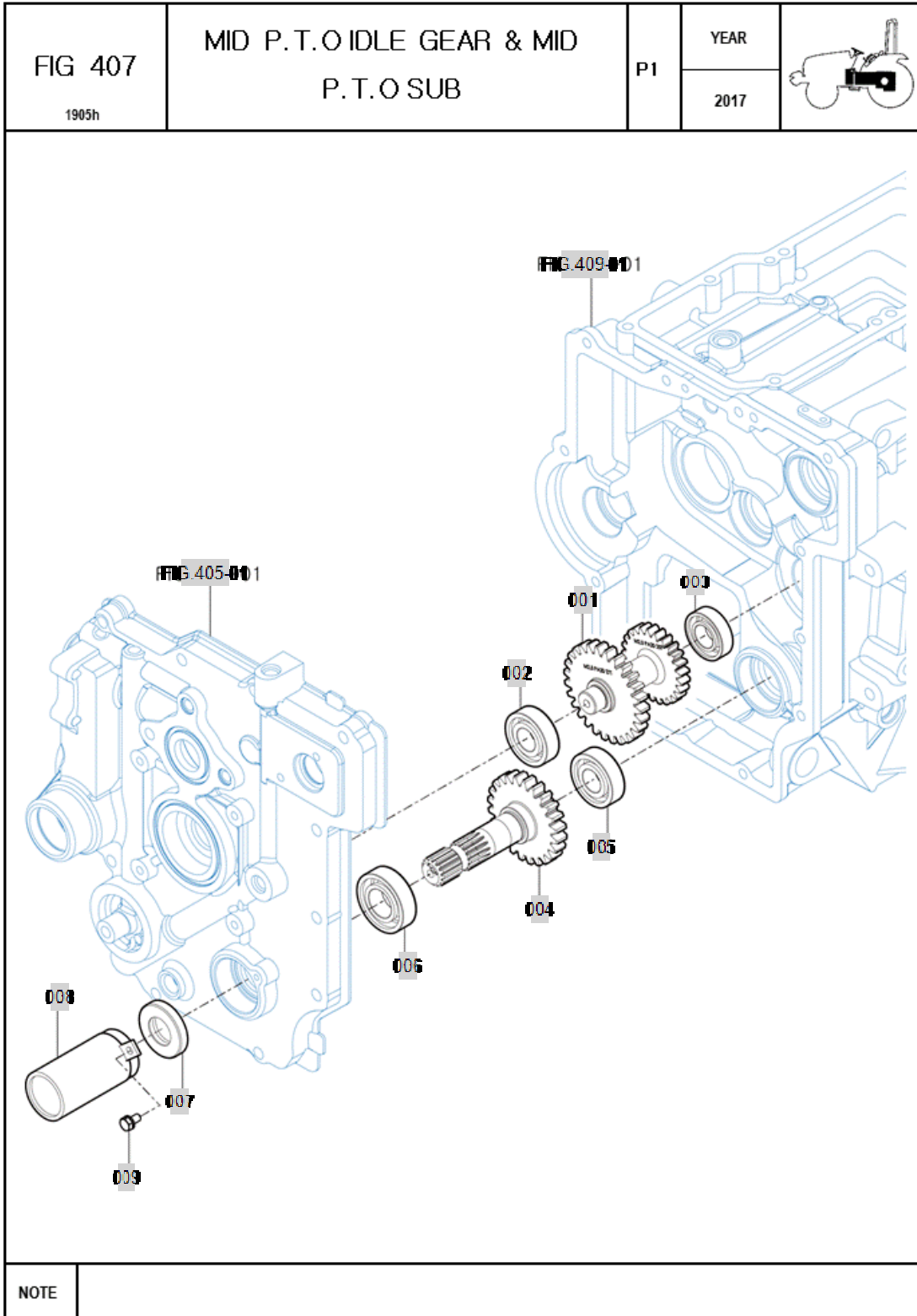




FIG C408

Branson 1905h EU-T

DIFF LOCK

Year/Month

2020-07

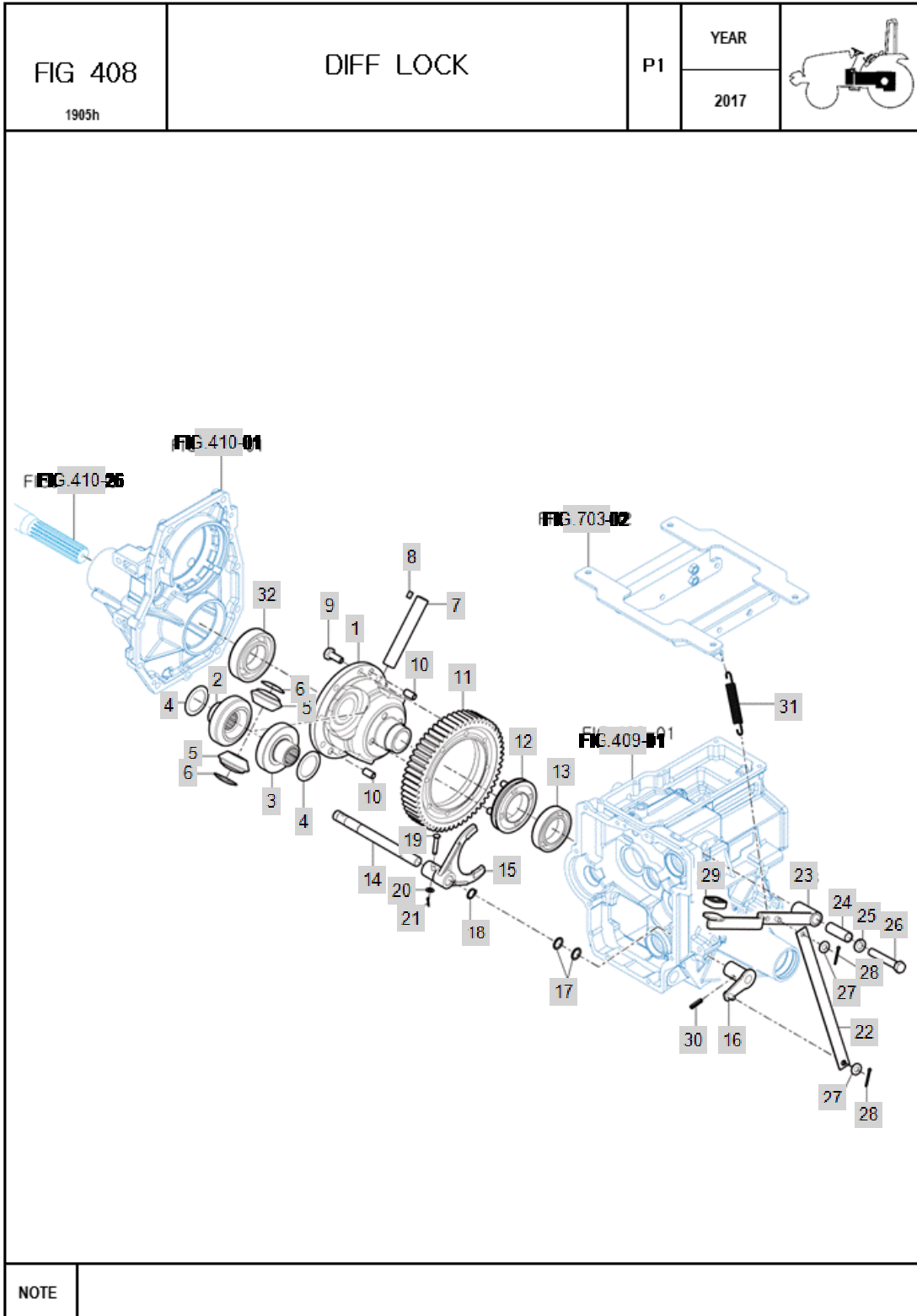




FIG C409

Branson 1905h EU-T

REAR TRANSMISSION CASE

Year/Month

2020-07

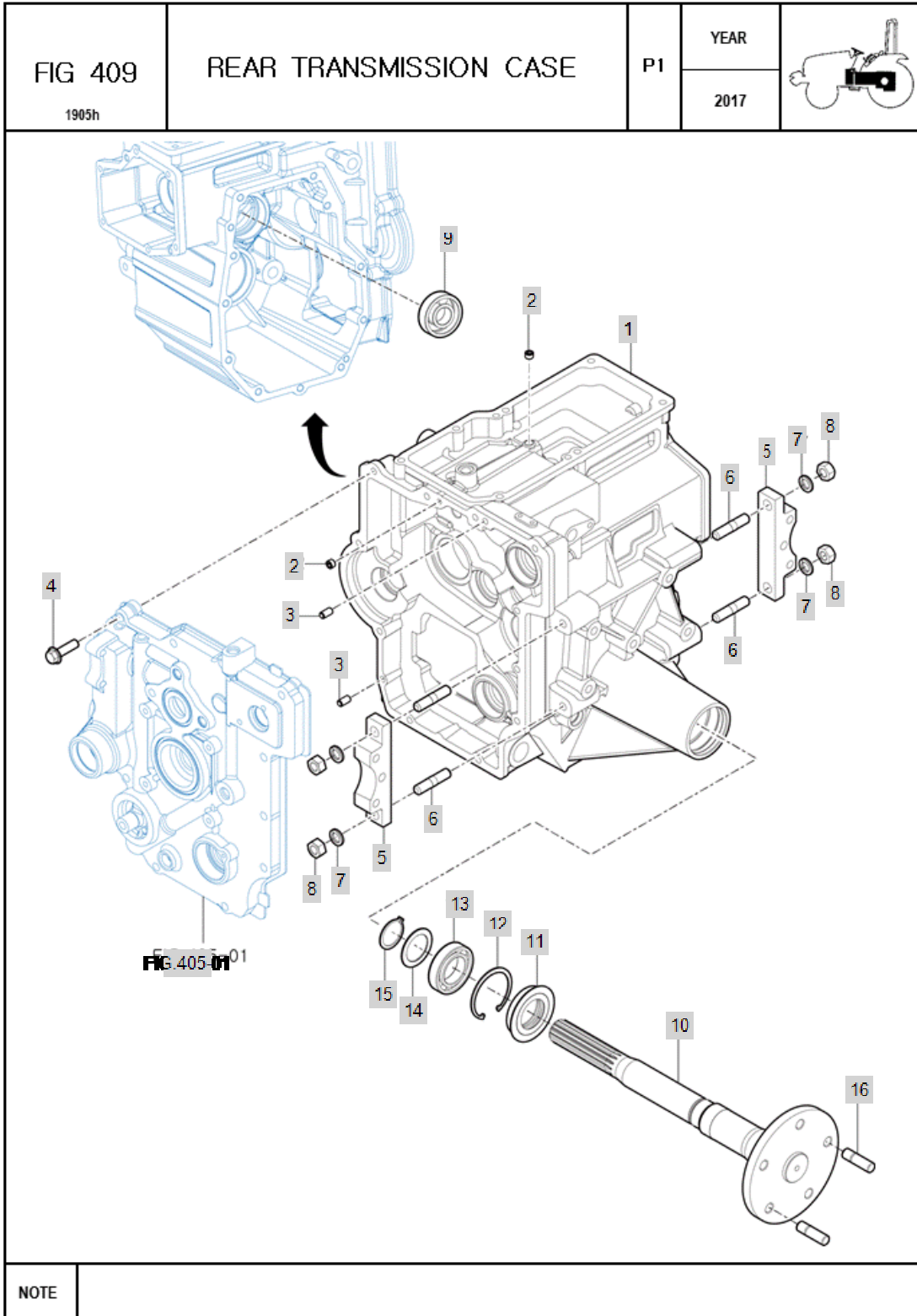






FIG C410

Branson 1905h EU-T

REAR AXLE HOUSING

Year/Month

2020-07

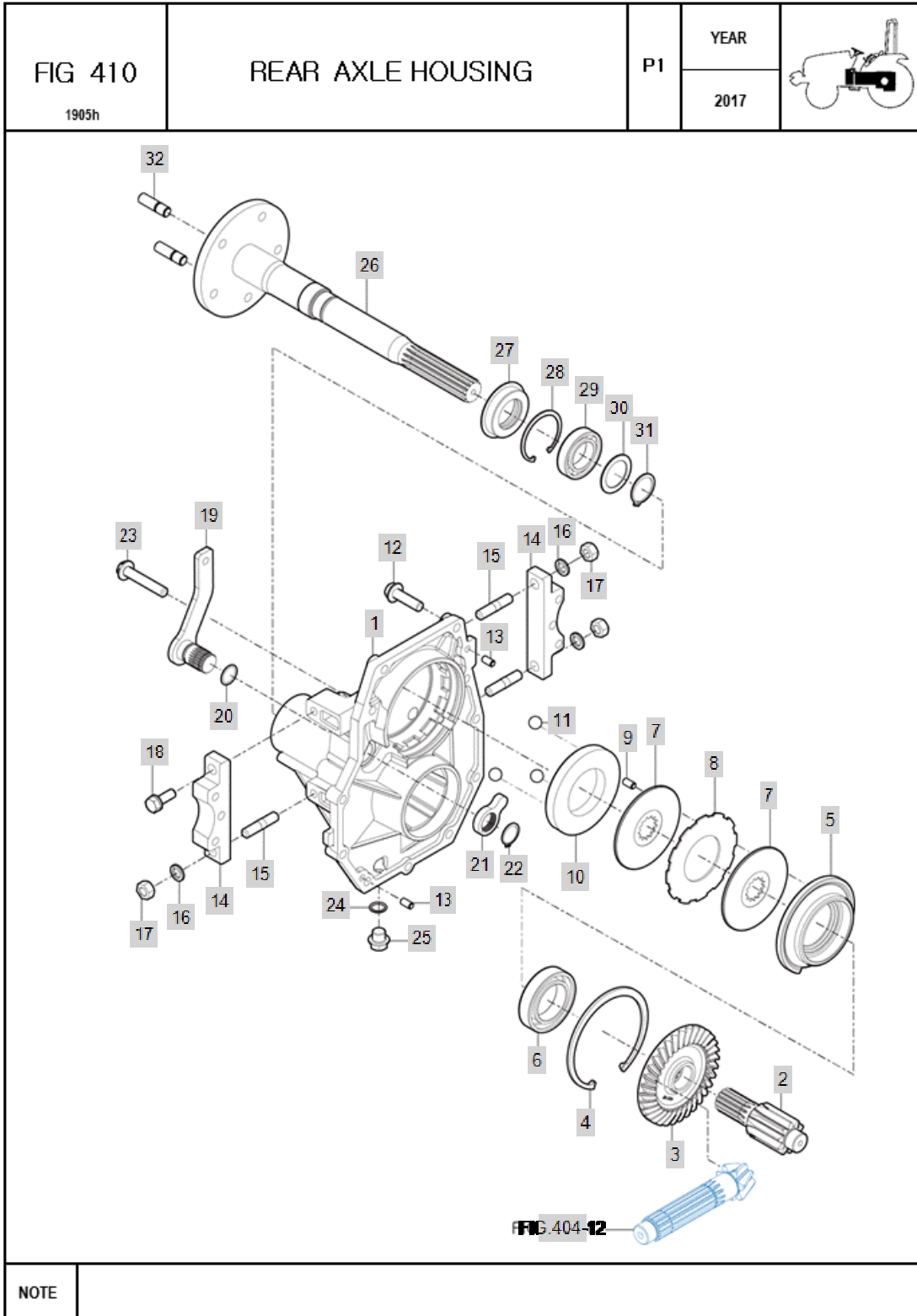




FIG C411

Branson 1905h EU-T

# RANGE SHIFT LEVER

Year/Month

2020-07

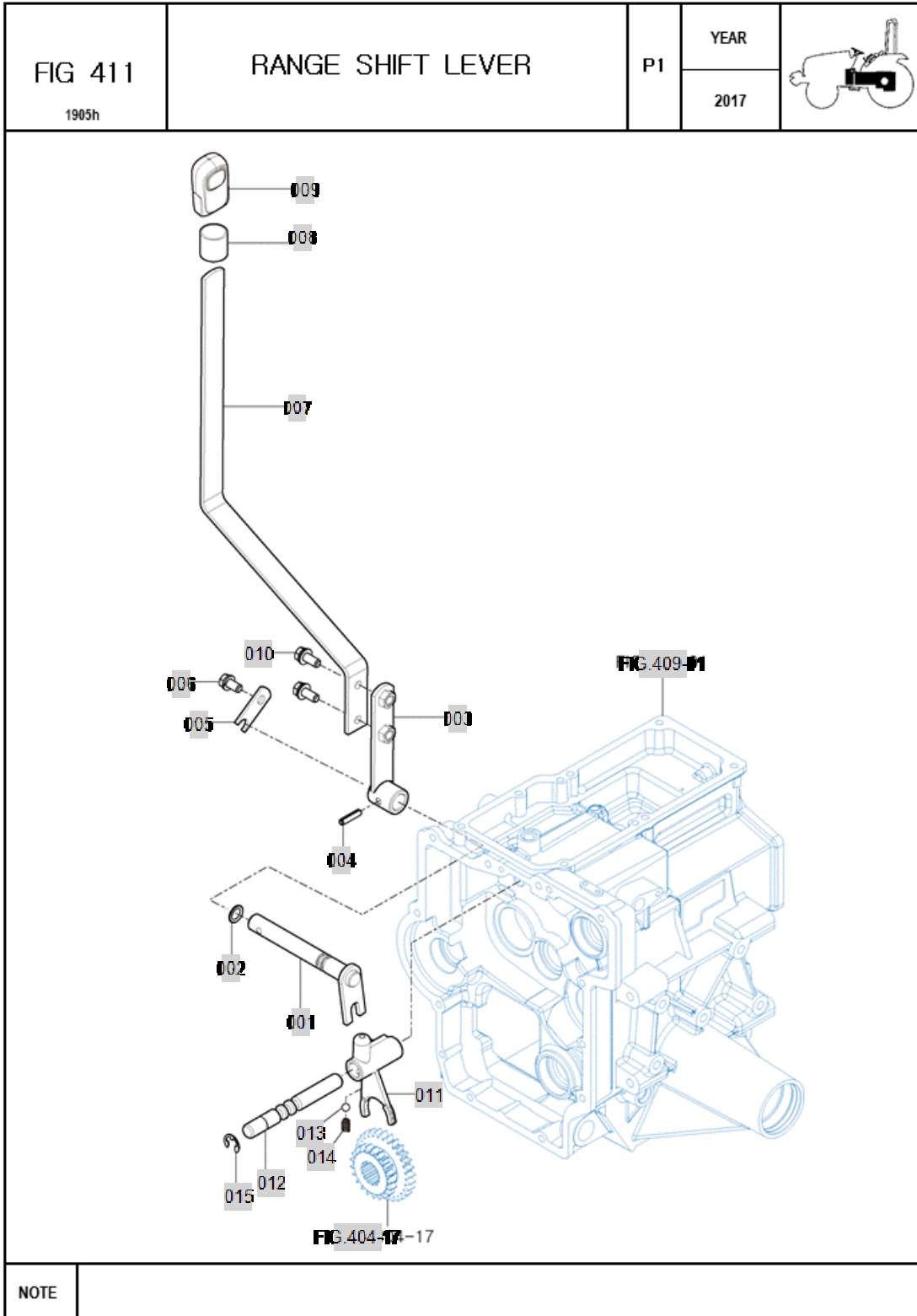




FIG C412

Branson 1905h EU-T

P.T.O CHANGE LEVER

Year/Month

2020-07

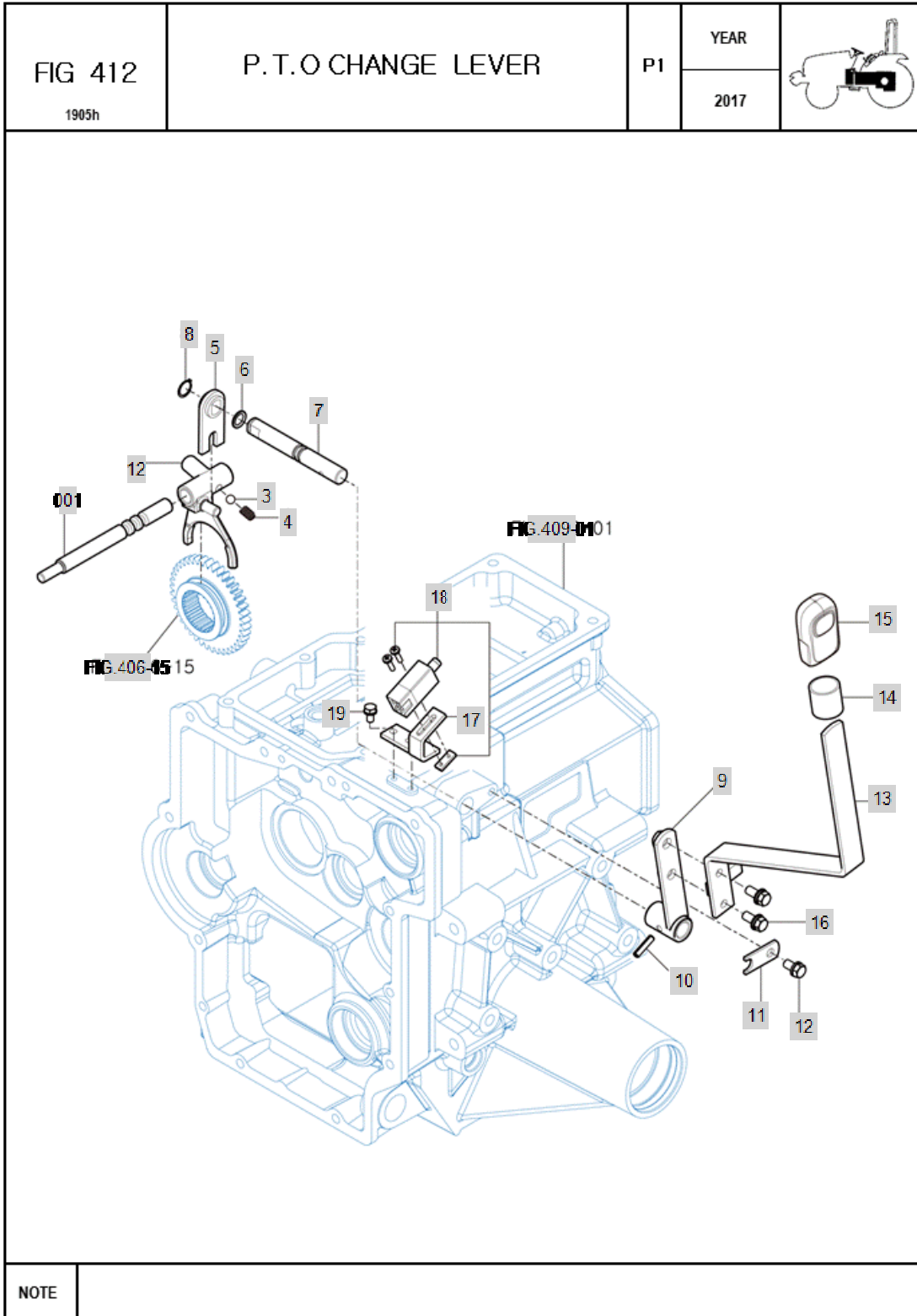




FIG C413

Branson 1905h EU-T

GEAR PUMP & PUMP IDLE GEAR SUB

Year/Month

2020-07

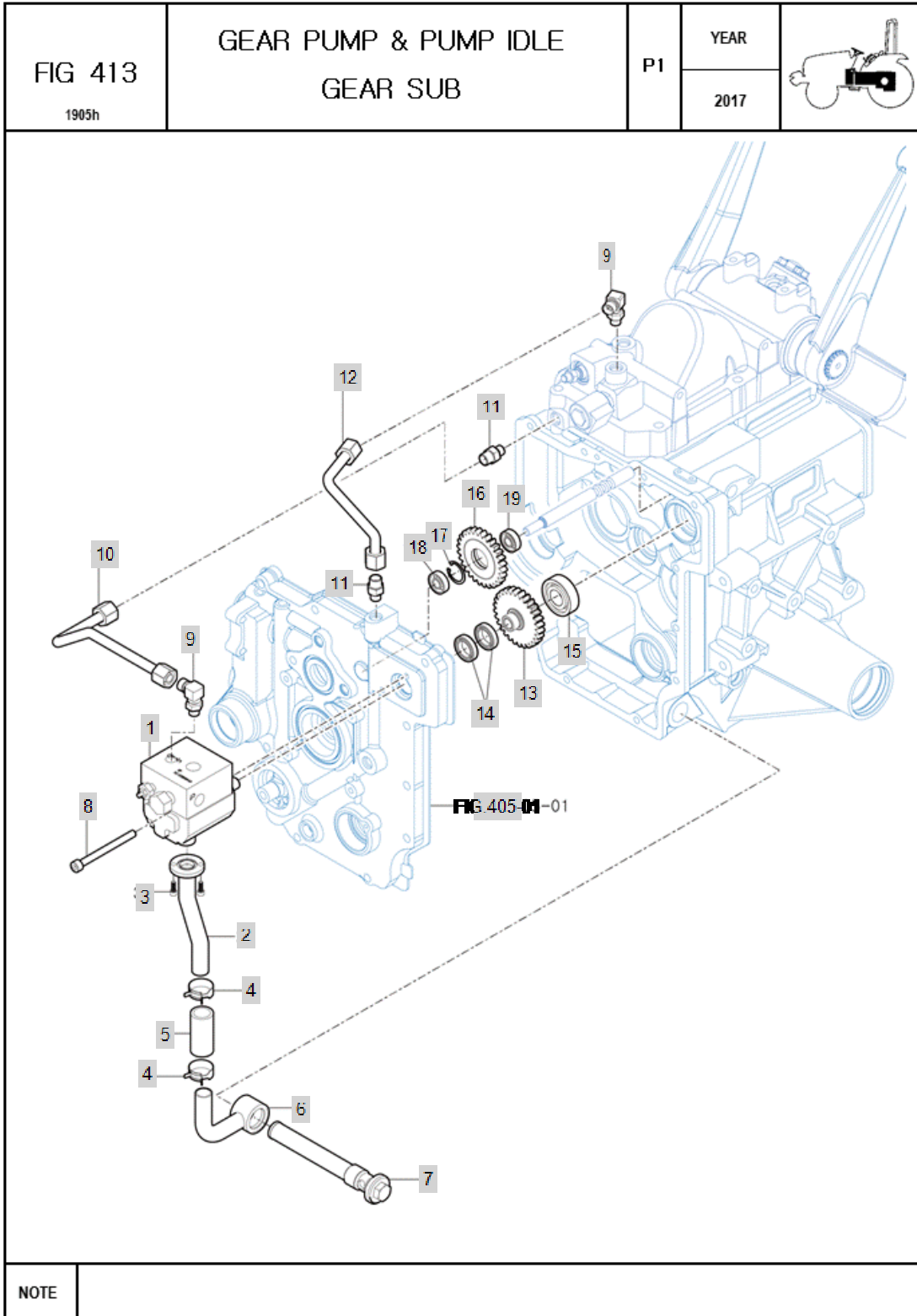






FIG C501

Branson 1905h EU-T

FRONT DRIVE SHAFT

Year/Month

2020-07

FIG 501

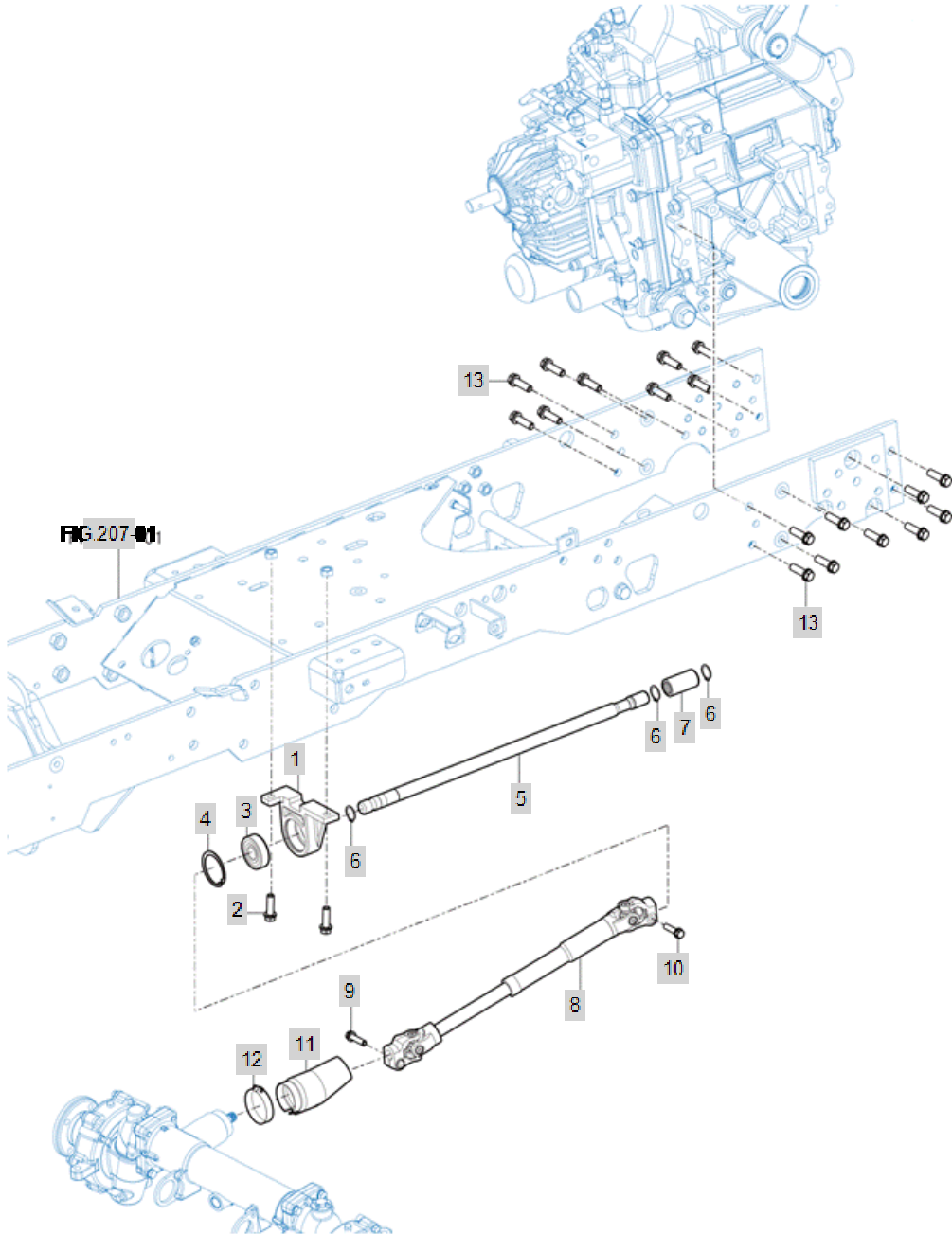
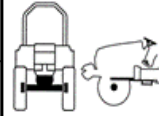
1905h

FRONT DRIVE SHAFT

P1

YEAR

2017



NOTE



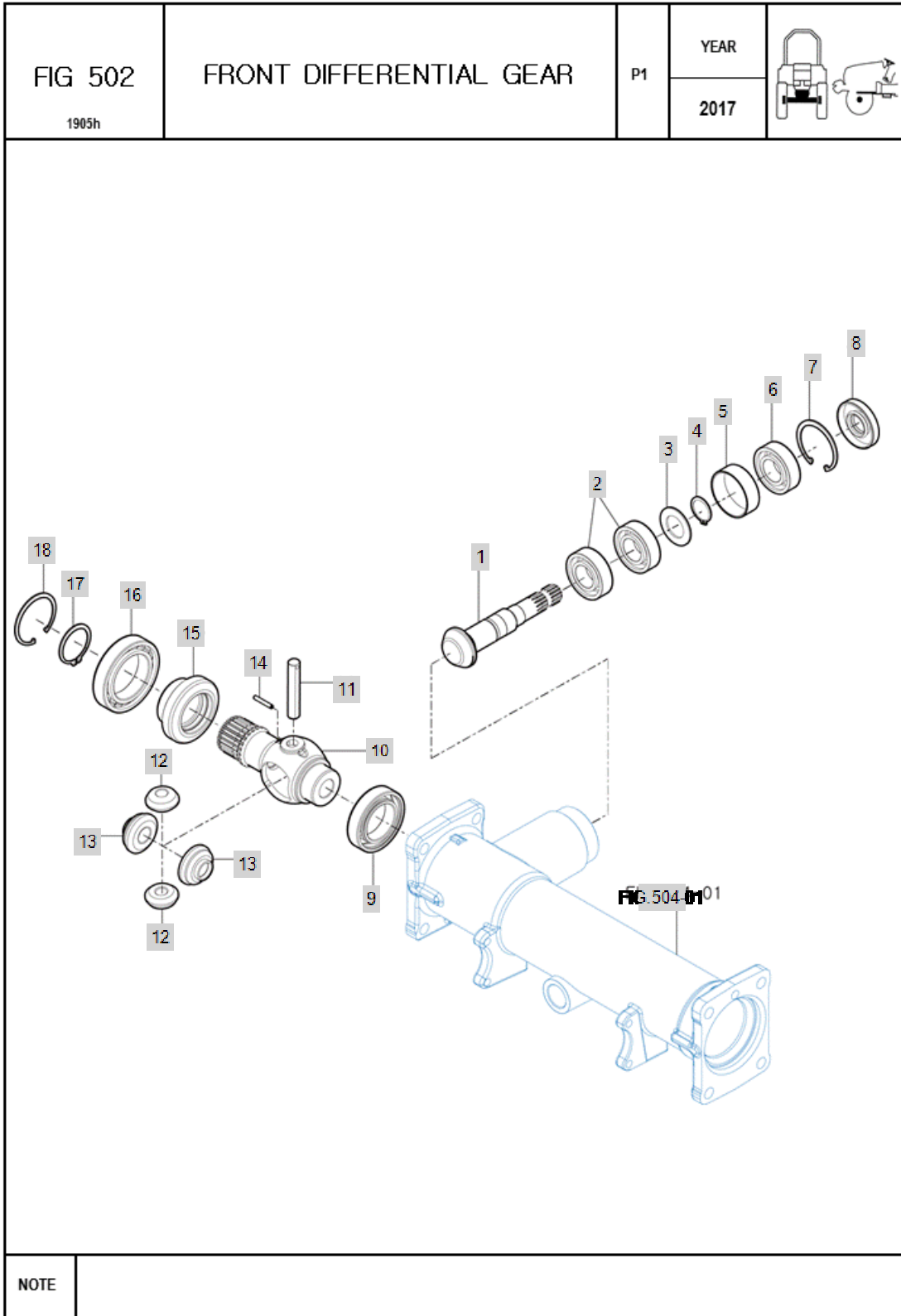
FIG C502

Branson 1905h EU-T

FRONT DIFFERENTIAL GEAR

Year/Month

2020-07



NOTE



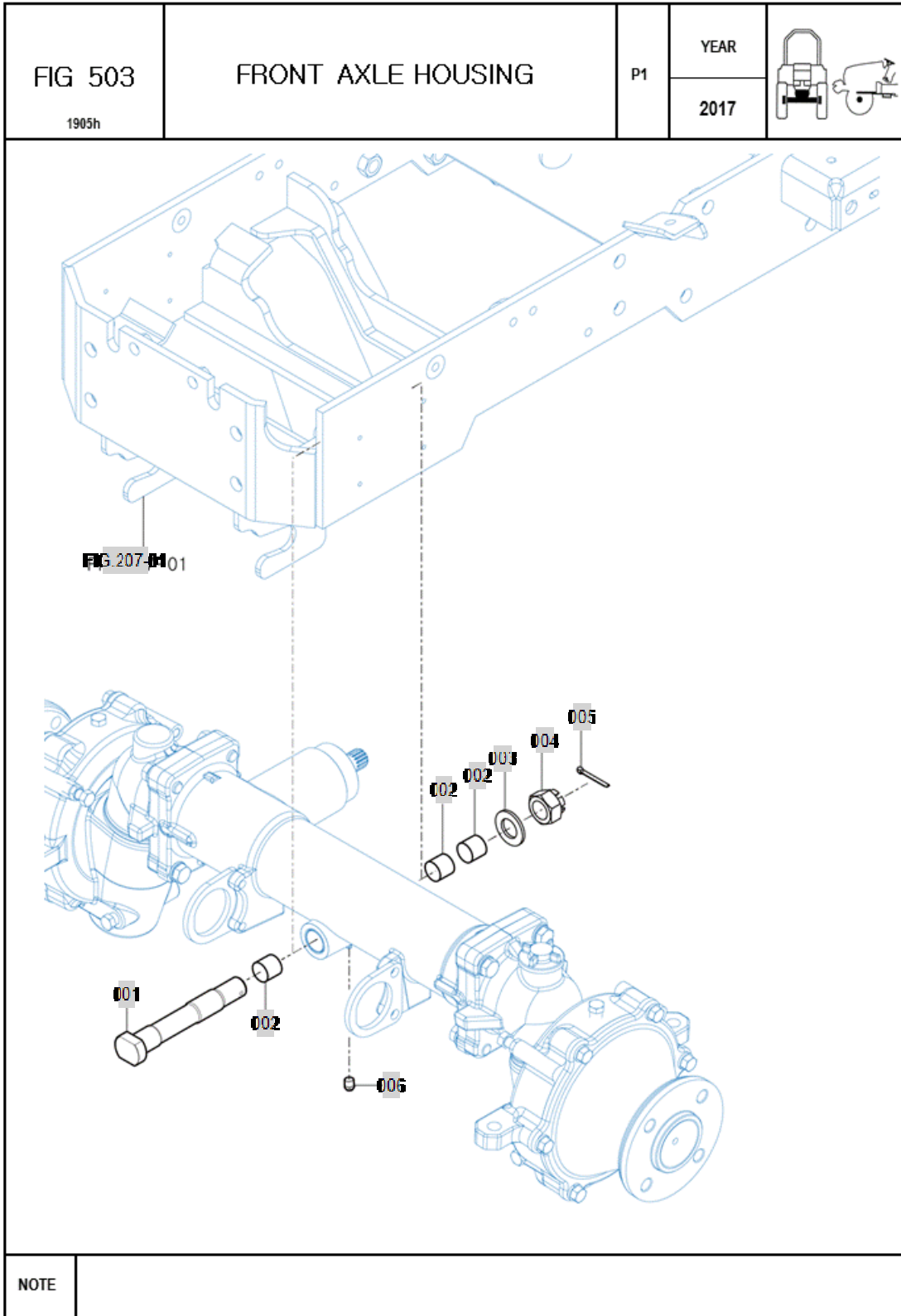
FIG C503

Branson 1905h EU-T

# FRONT AXLE HOUSING

Year/Month

2020-07





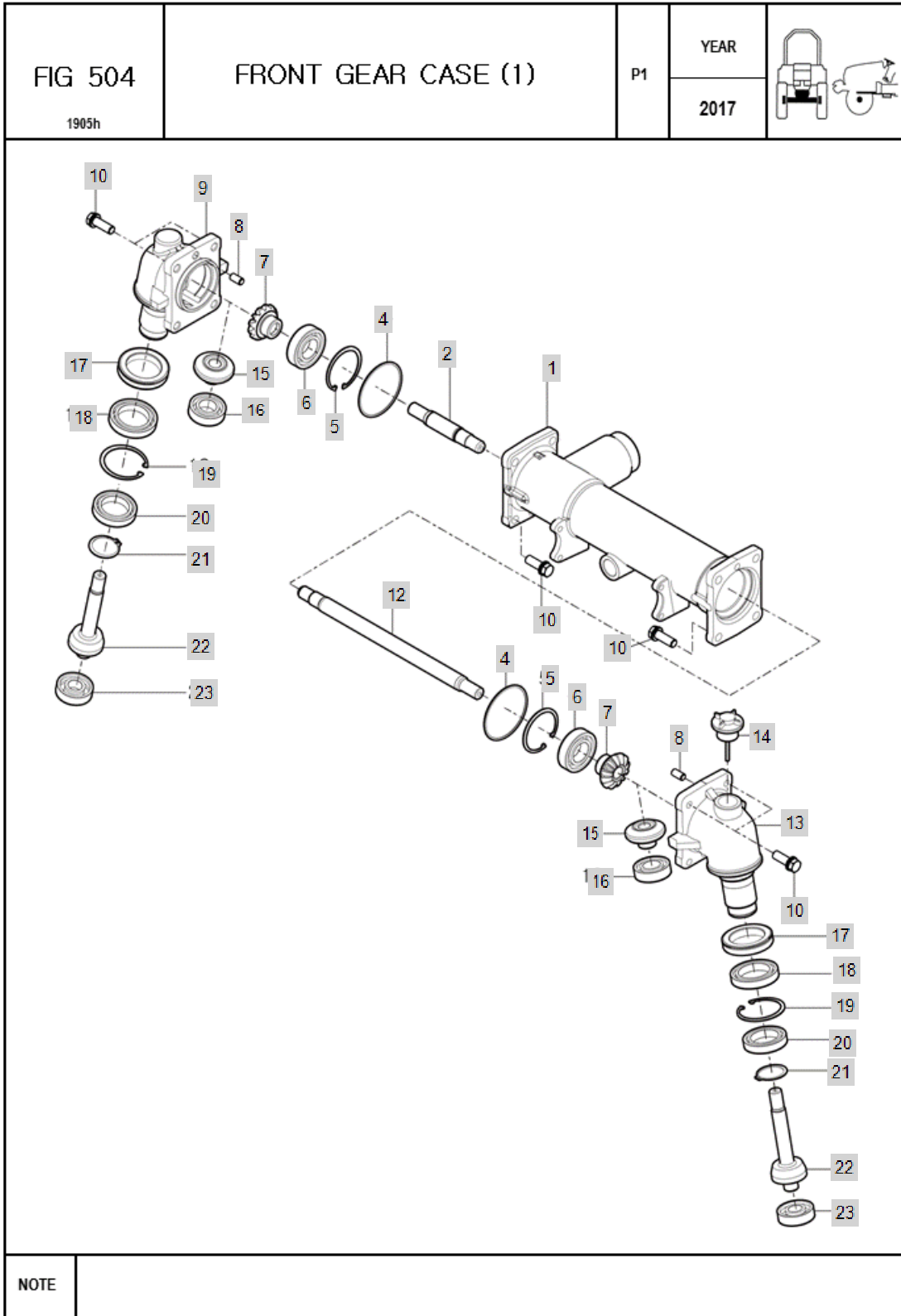






FIG C505

Branson 1905h EU-T

FRONT GEAR CASE (2)

Year/Month

2020-07

FIG 505

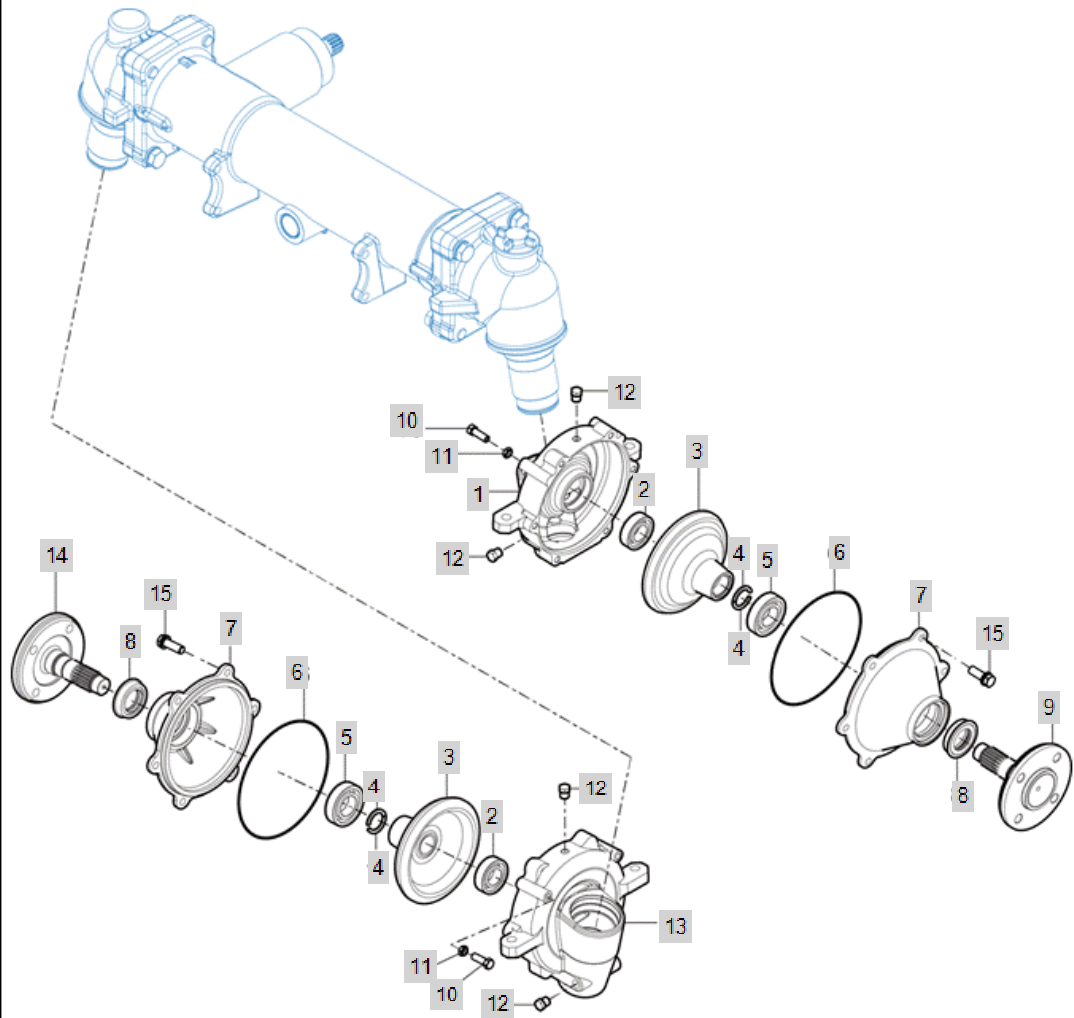
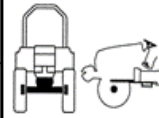
1905h

FRONT GEAR CASE (2)

P1

YEAR

2017



NOTE



FIG C601

Branson 1905h EU-T

# CYLINDER CASE

Year/Month

2020-07

FIG 601

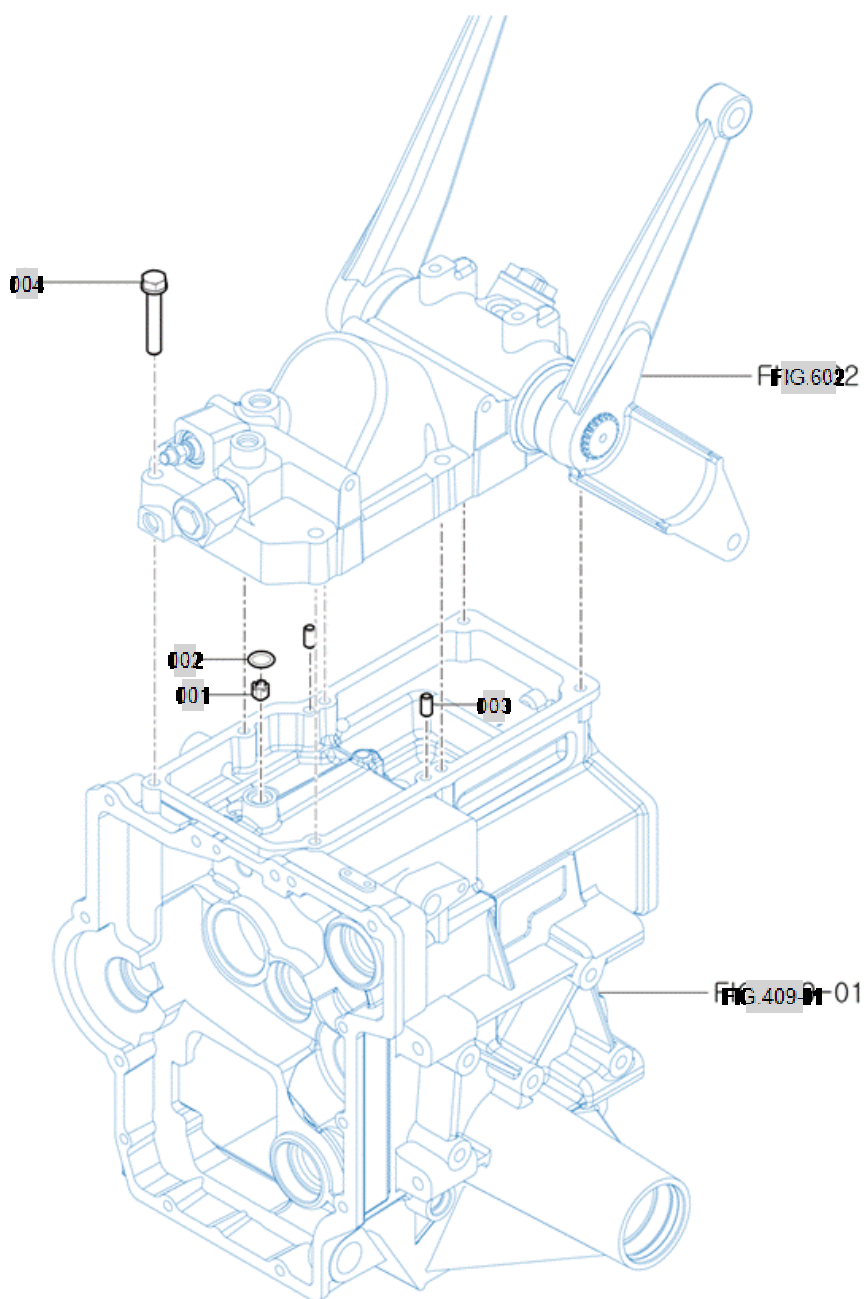
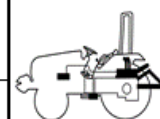
1905h

CYLINDER CASE

P1

YEAR

2017



NOTE



FIG C602

Branson 1905h EU-T

LIFT ARM

Year/Month

2020-07

FIG 602

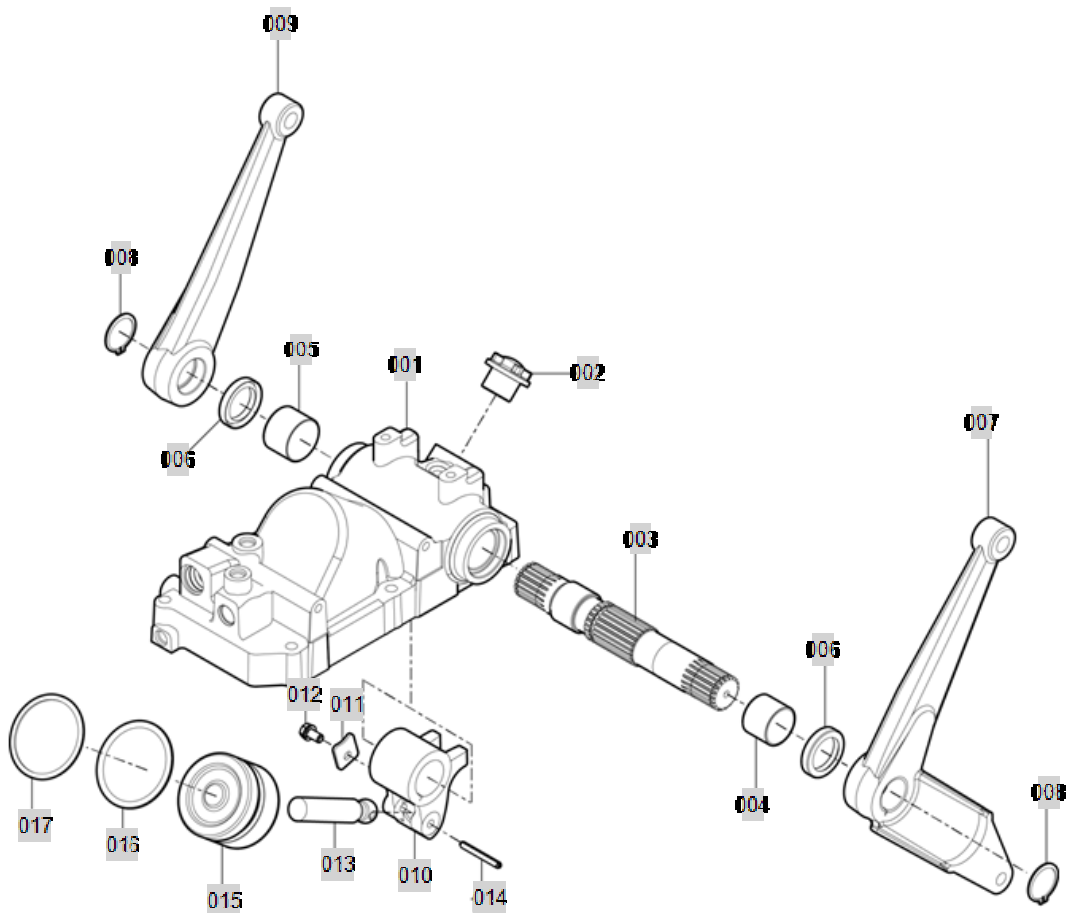
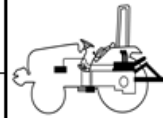
1905h

LIFT ARM

P1

YEAR

2017



NOTE



FIG C603

Branson 1905h EU-T

# FLOW CONTROL VALVE

Year/Month

2020-07

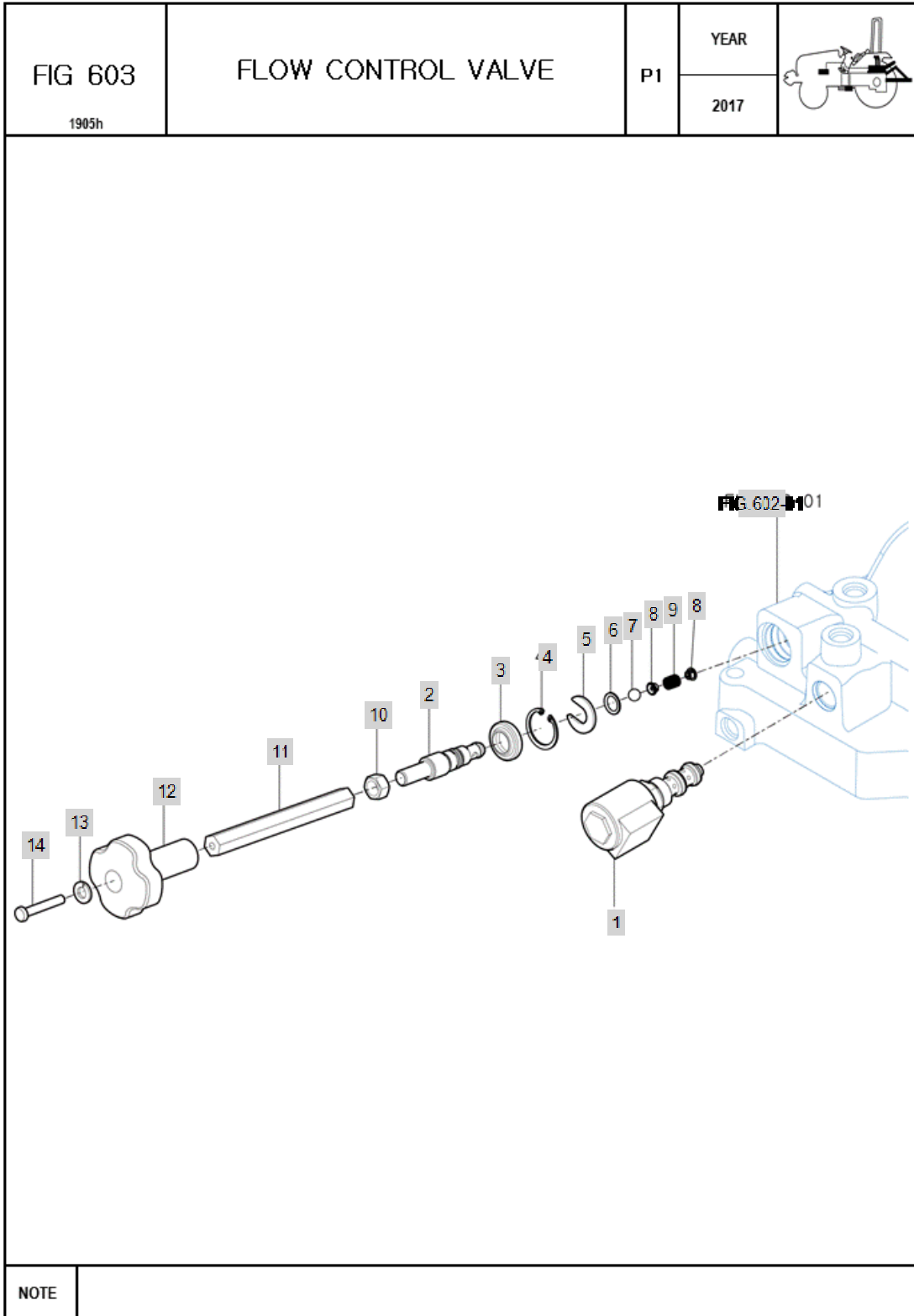






FIG C604

Branson 1905h EU-T

MAIN CONTROL VALVE

Year/Month

2020-07

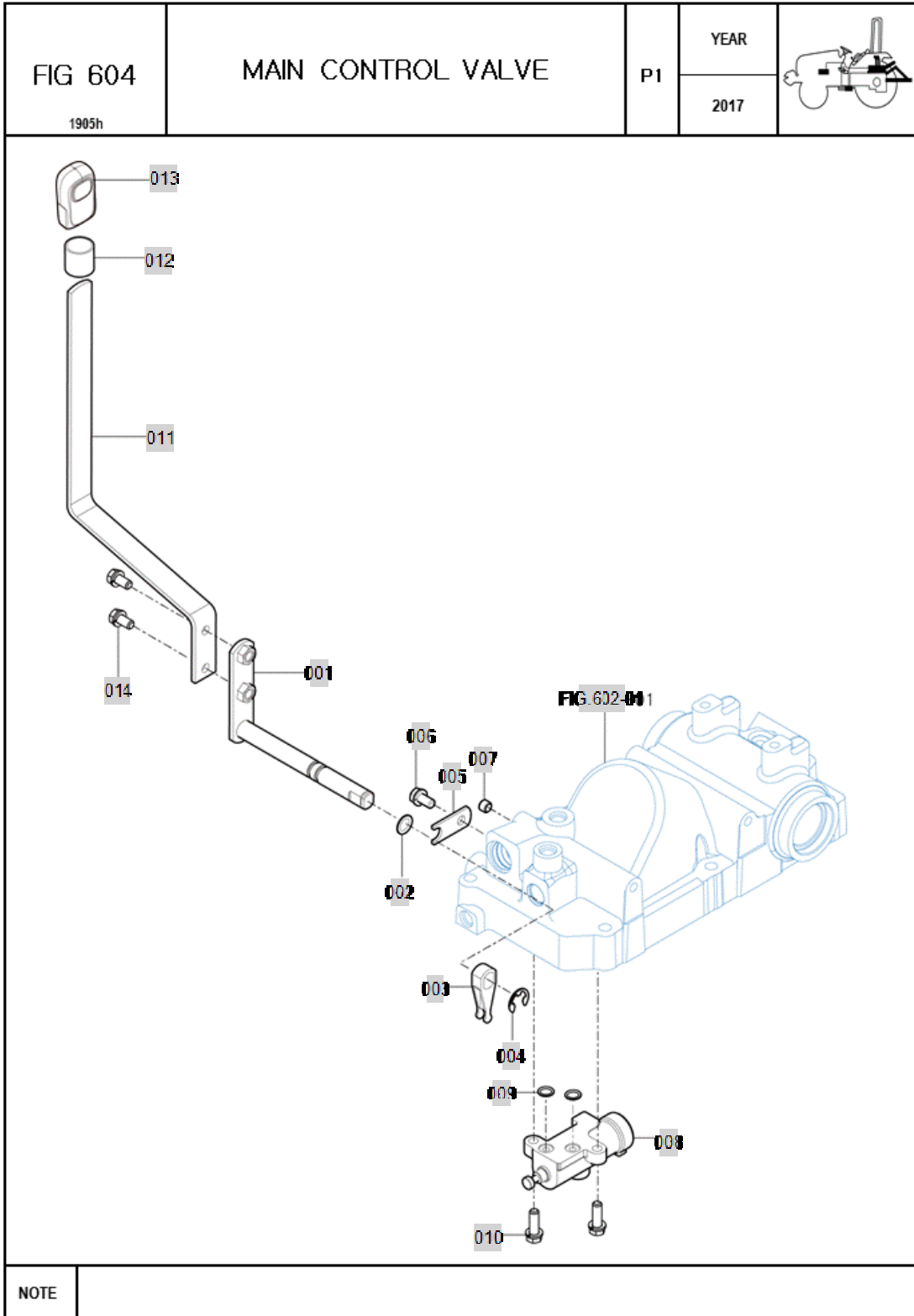




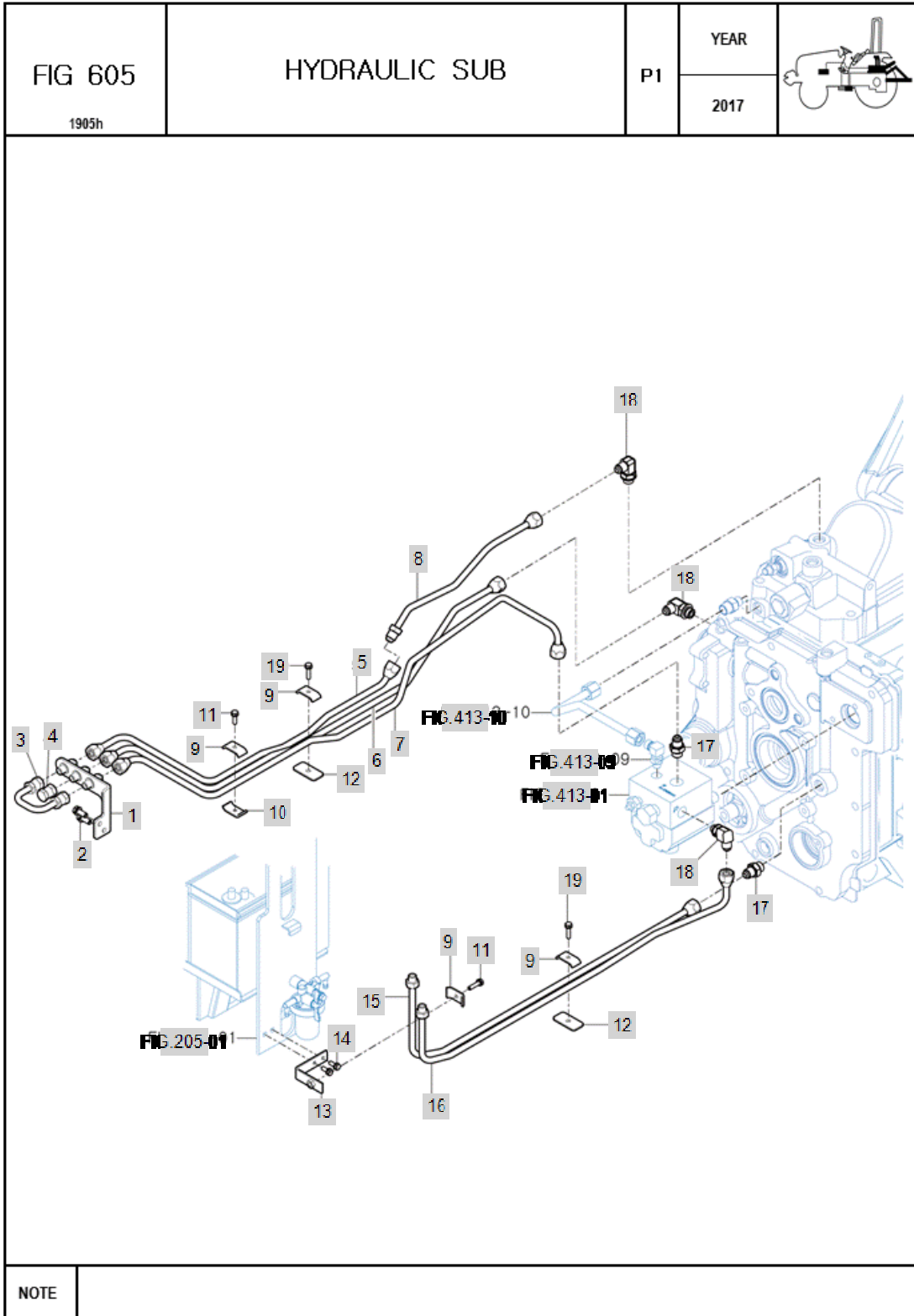
FIG C605

Branson 1905h EU-T

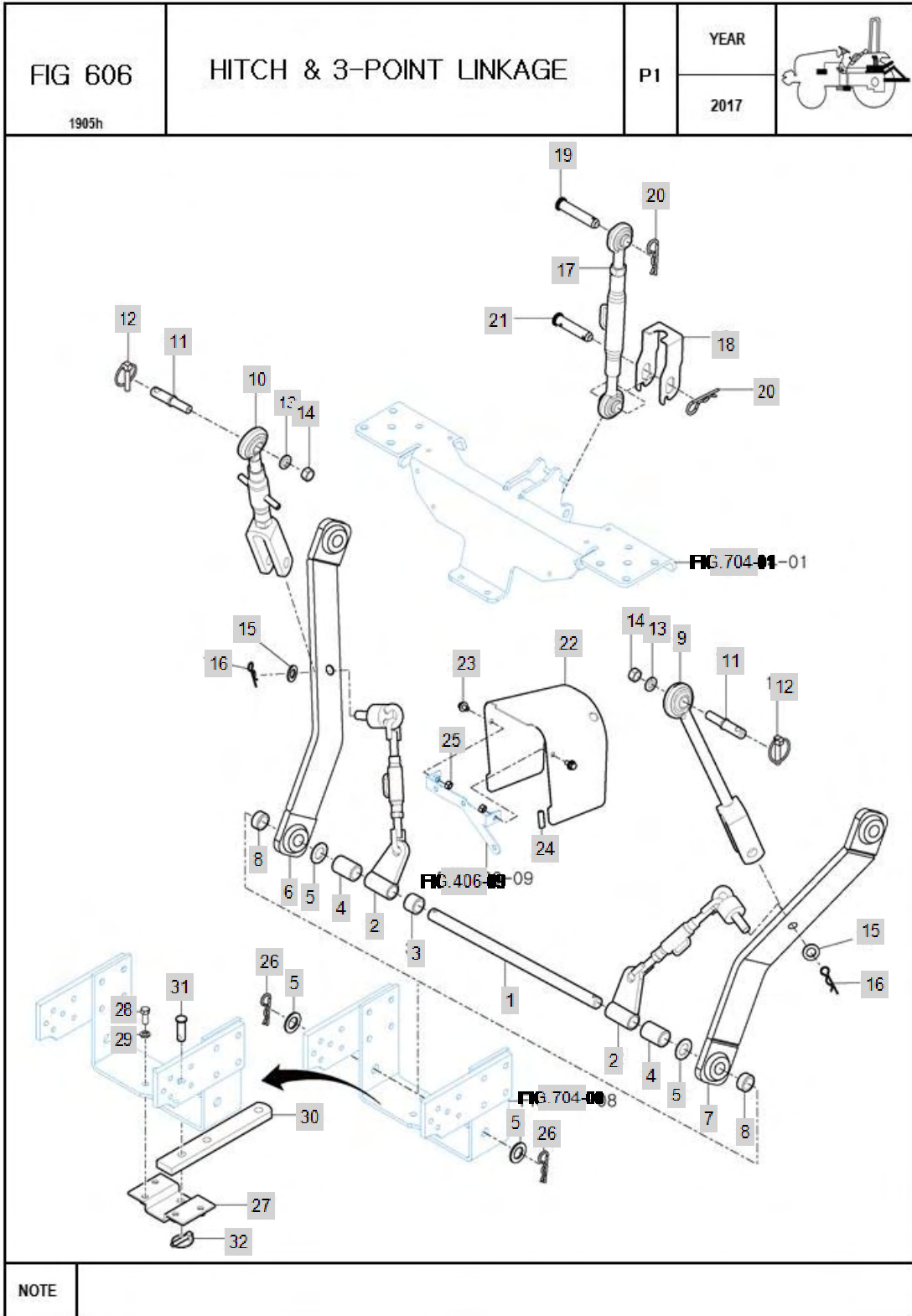
HYDRAULIC SUB

Year/Month

2020-07









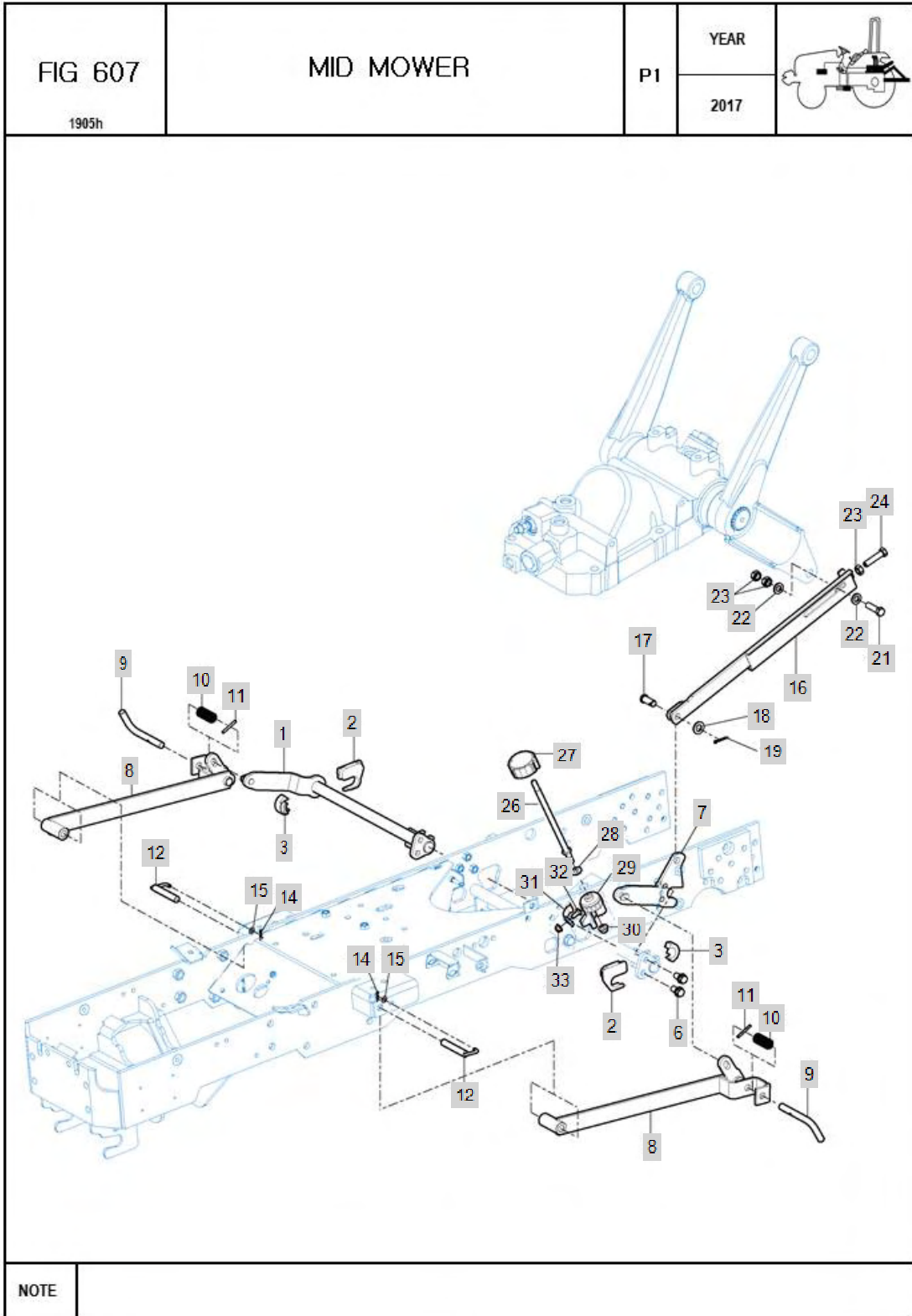






FIG C701

Branson 1905h EU-T

BONNET

Year/Month

2020-07

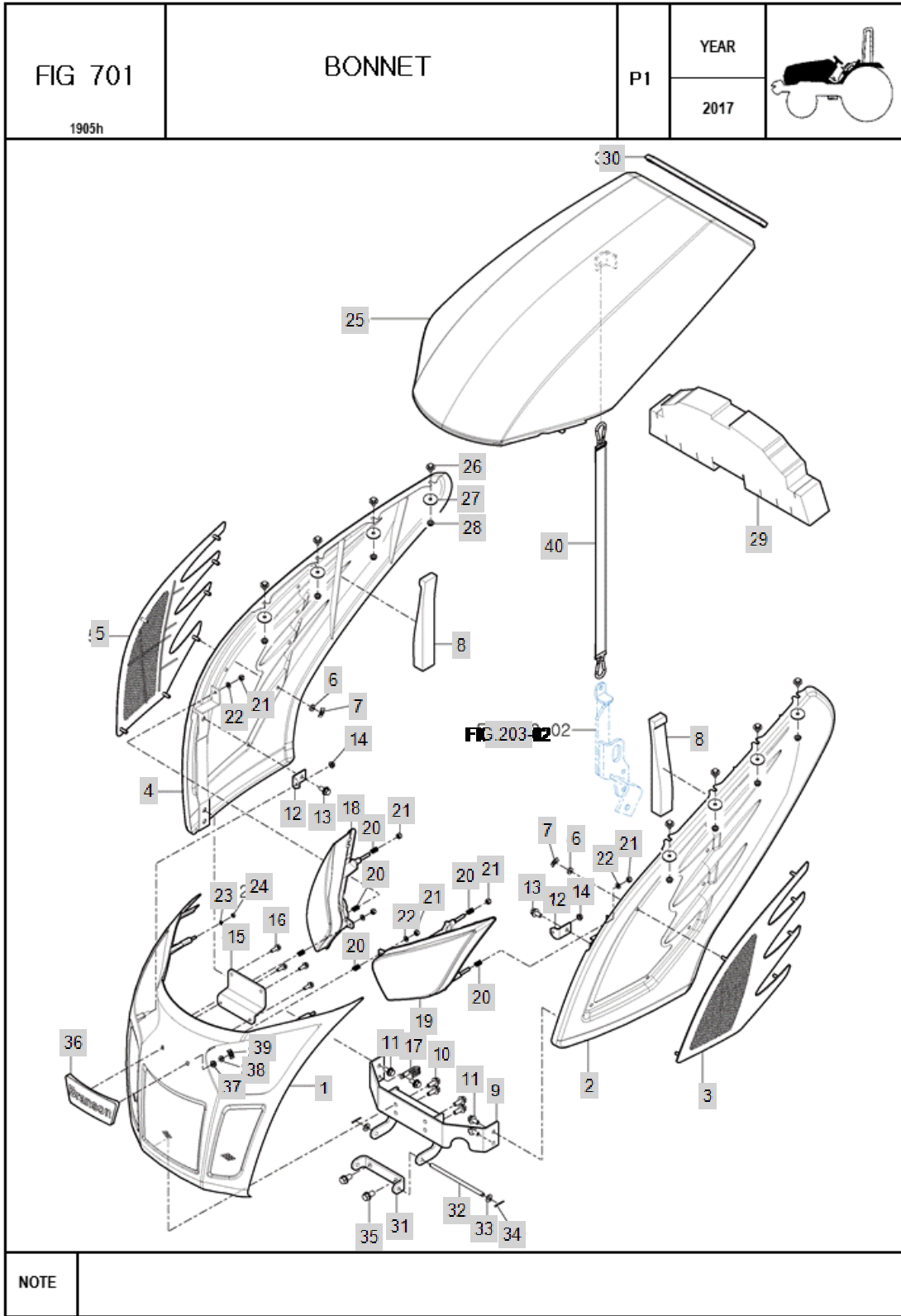


FIG C701		BONNET			Year/Month
Branson 1905h EU-T					2020-07
KeyNo.	Part Number	Part Name	Quantity	Other	
1	TA00052972A	GRILL COMP , FRONT	1		
2	TA00052973A	PANEL COMP , LH/SIDE	1		
3	TA00052974A	GRILL , LH/SIDE	1		
4	TA00052975A	PANEL COMP , RH/SIDE	1		
5	TA00052976A	GRILL , RH/SIDE	1		
6	TA00052198A	WASHER , NET	14		
7	TA00053741A	NUT, PUSH-ON SPRING	14		
8	TA00052977A	INSULATOR , SIDE	2		
9	TA00052978A	HINGE COMP , BONNET	1		
10	26016-080252	Bolt, Hexa (8-25)	4		
11	26016-080202		4		
12	TA00052992A	BRACKET , SIDE	2		
13	26016-080202		2		
14	26367-060002	Nut, Hexa (Φ6)	2		
15	TA00052993A	BRACKET , CTR	1		
16	26016-060202	SCREW,CAPTIVEWASHERCAP	4		
17	37371720110	CLAMP , FLASHER W/HARNESS	1		
18	TA00052994A	HEAD LAMP ASSY , RH	1		
19	TA00052995A	HEAD LAMP ASSY , LH	1		
20	TA00052996A	SPRING , ENTRANCE FOR SEED(HC0	6		
21	TA00052369A	NUT , NYLON , M6	6		
22	22137-060000	WASHER , PLAIN	4		
23	22217-050000	WASHER, SPRING (Φ 05)	2		
24	26712-050001	NUT , HEX/1	2		
25	TA00052997A	HOOD COMP	1		
26	26015-060162	BOLT	8		
27	TA00052998A	WASHER , 6X30X2.3	8		
28	26367-060002	Nut, Hexa (Φ6)	8		
29	TA00052999A	INSULATOR, RADIATOR	1		
30	TA00053000A	INSULATOR , HOOD	1		
31	TA00053001A	BRACKET , HINGE	1		
32	TA00053004A	PIN , HINGE	1		
33	22137-080000	WASHER, PLAIN (Φ 08)	2		
34	22417-250200	PIN , COTTER (2-20)	2		
35	26013-100302	SCREW,CAPTIVEWASHERCAP	2		
36	TA00053133A	EMBLEM , BRANSON	1		
37	TA00052198A	WASHER , NET	2		
38	22137-060000	WASHER , PLAIN	2		
39	TA00053741A	NUT, PUSH-ON SPRING	2		
40	11616017600		1		
FIG.203-02	C203		0		

FIG C702

Branson 1905h EU-T

FLOOR

Year/Month

2020-07

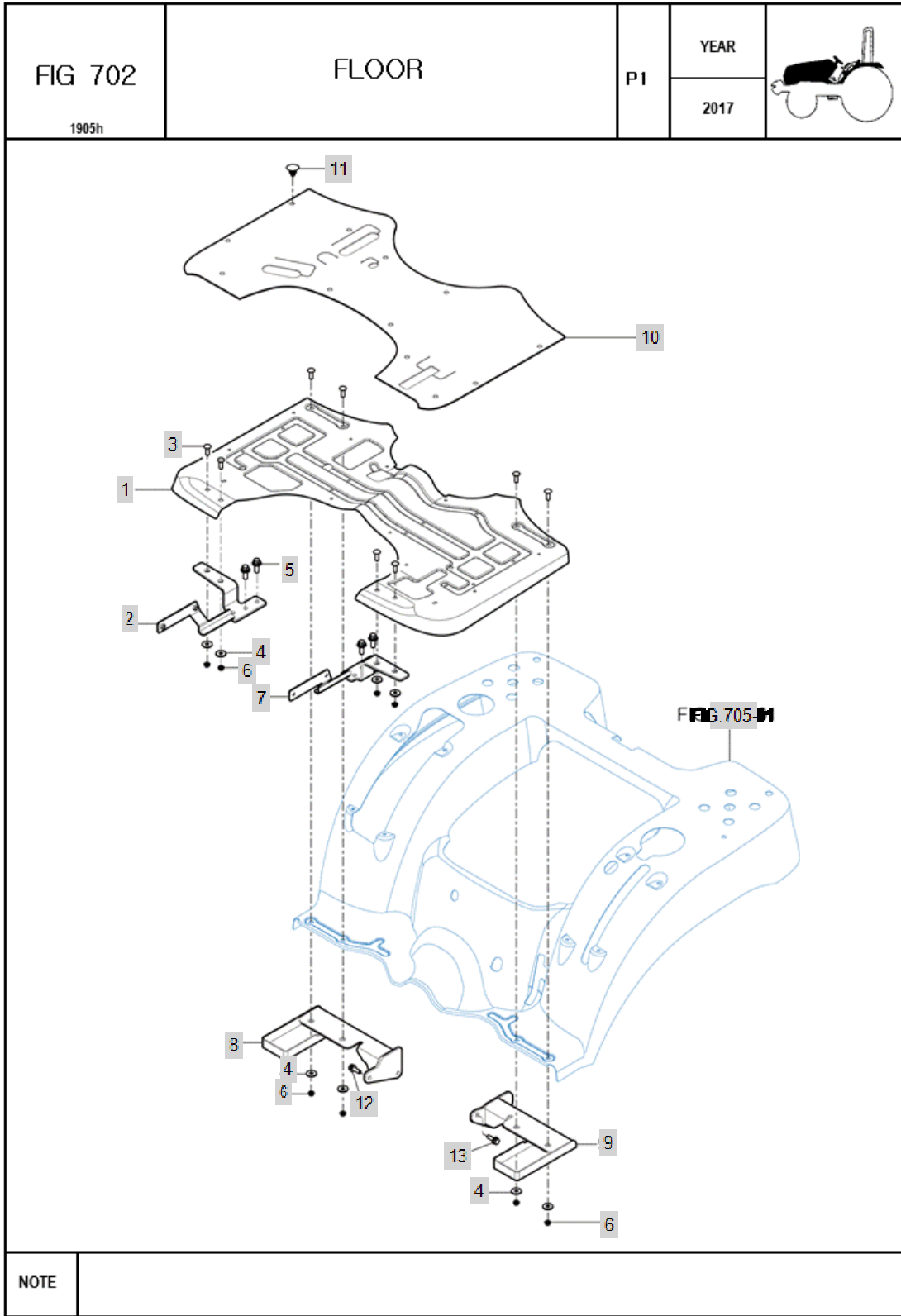




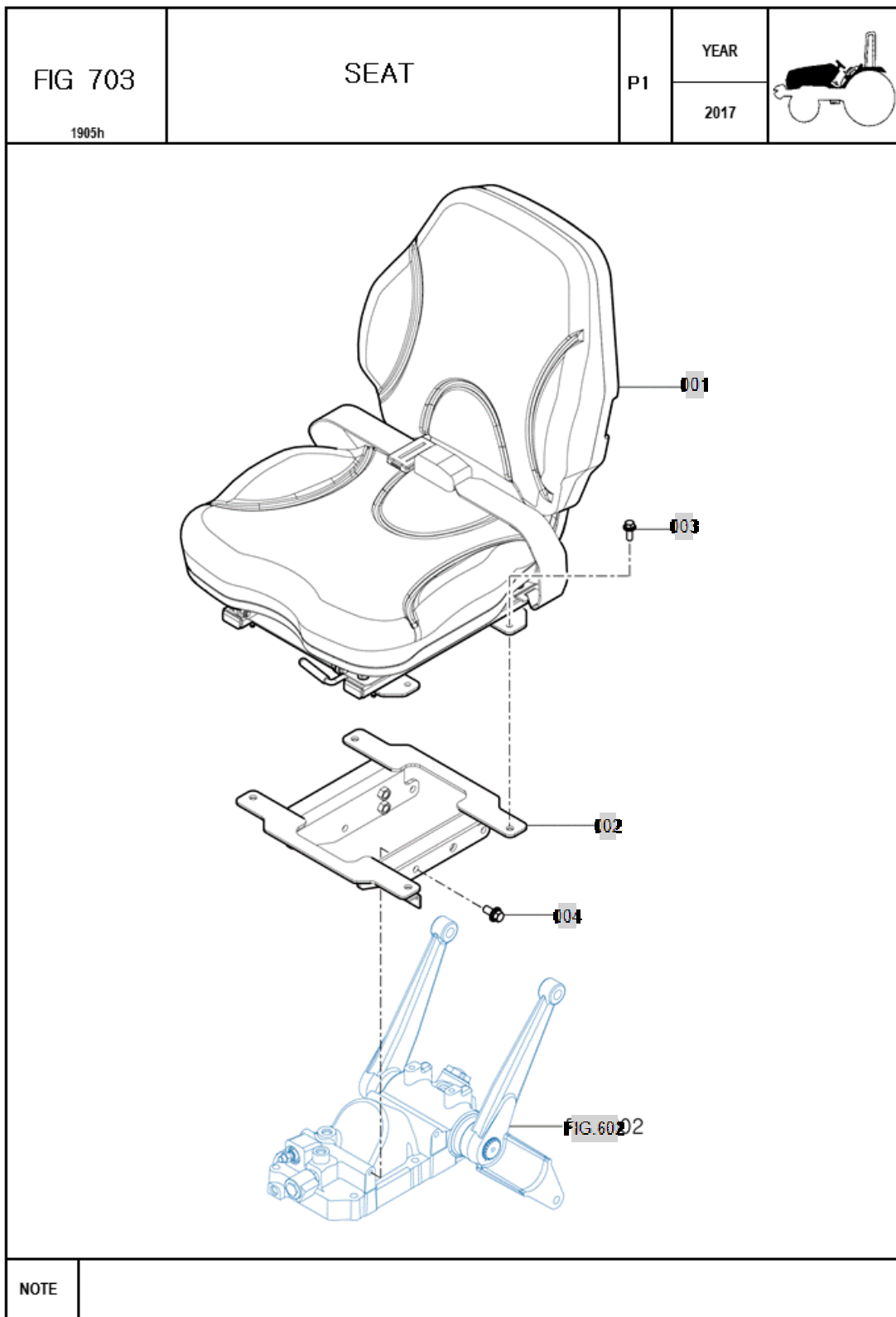
FIG C703

Branson 1905h EU-T

SEAT

Year/Month

2020-07





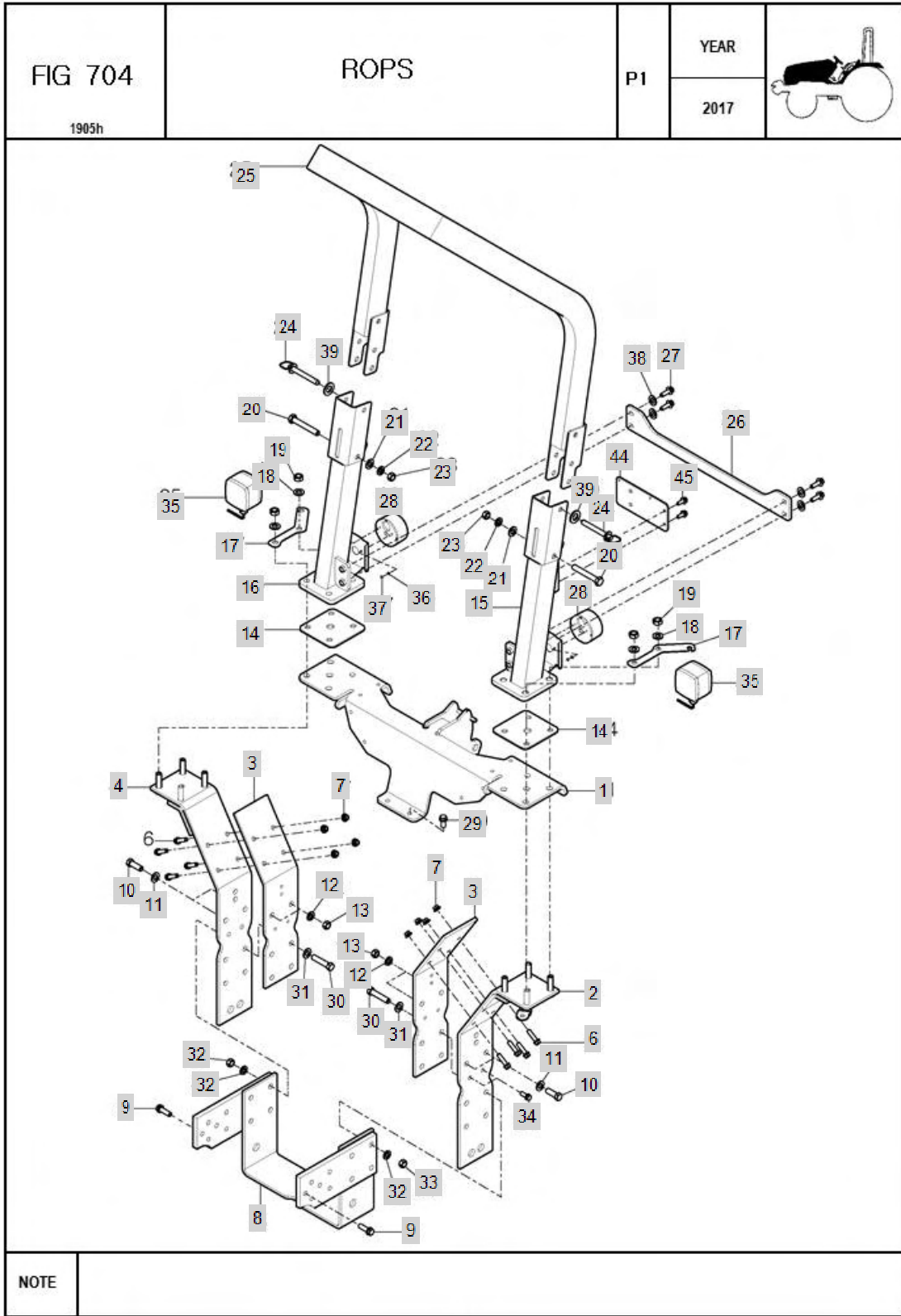






FIG C705

Branson 1905h EU-T

LEVER COVER & FENDER

Year/Month

2020-07

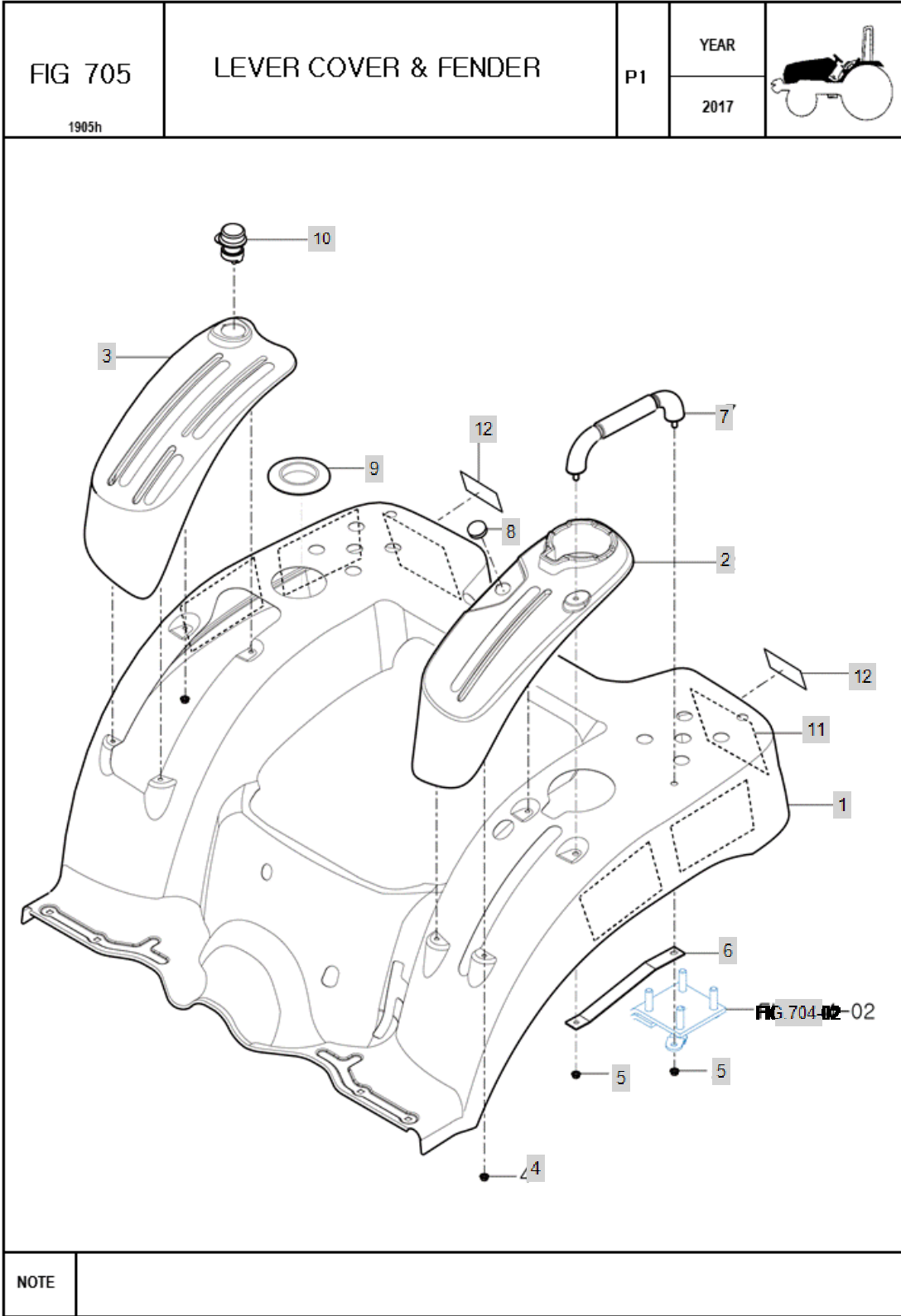




FIG C706

Branson 1905h EU-T

REARVIEW MIRRORSREARVIEW MIRRORS

Year/Month

2020-07

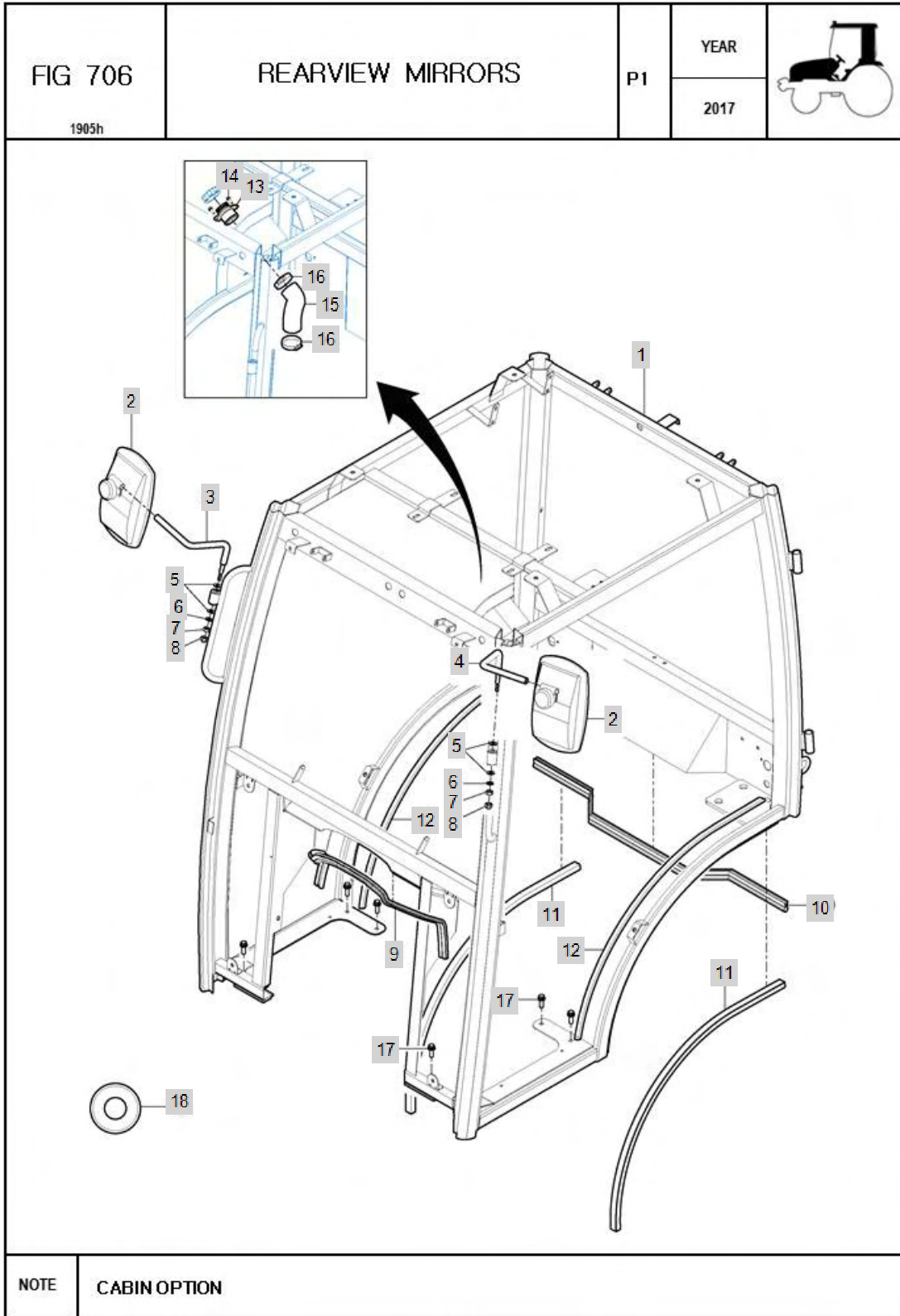




FIG C707

Branson 1905h EU-T

# FRONT GLASS

Year/Month

2020-07

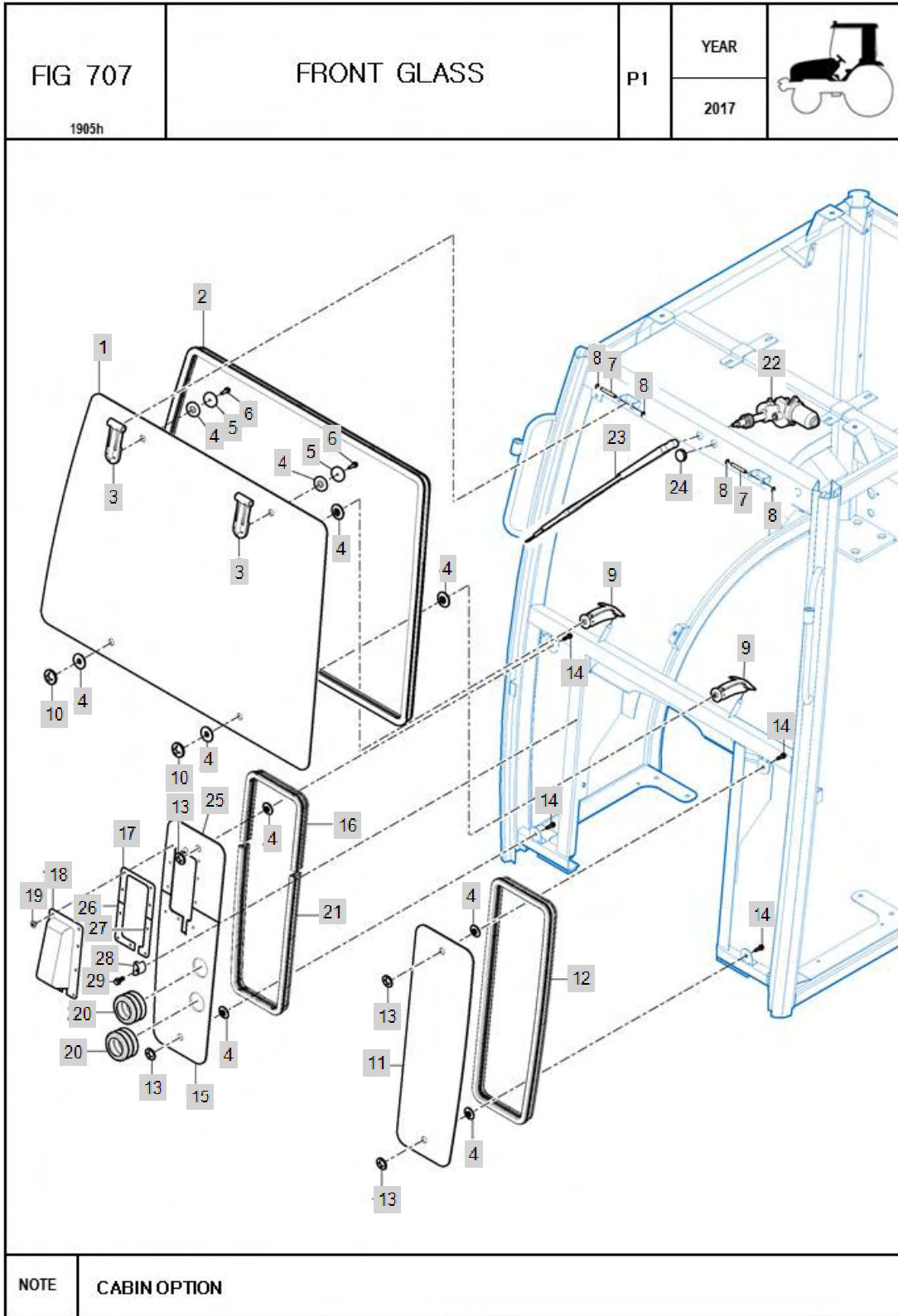




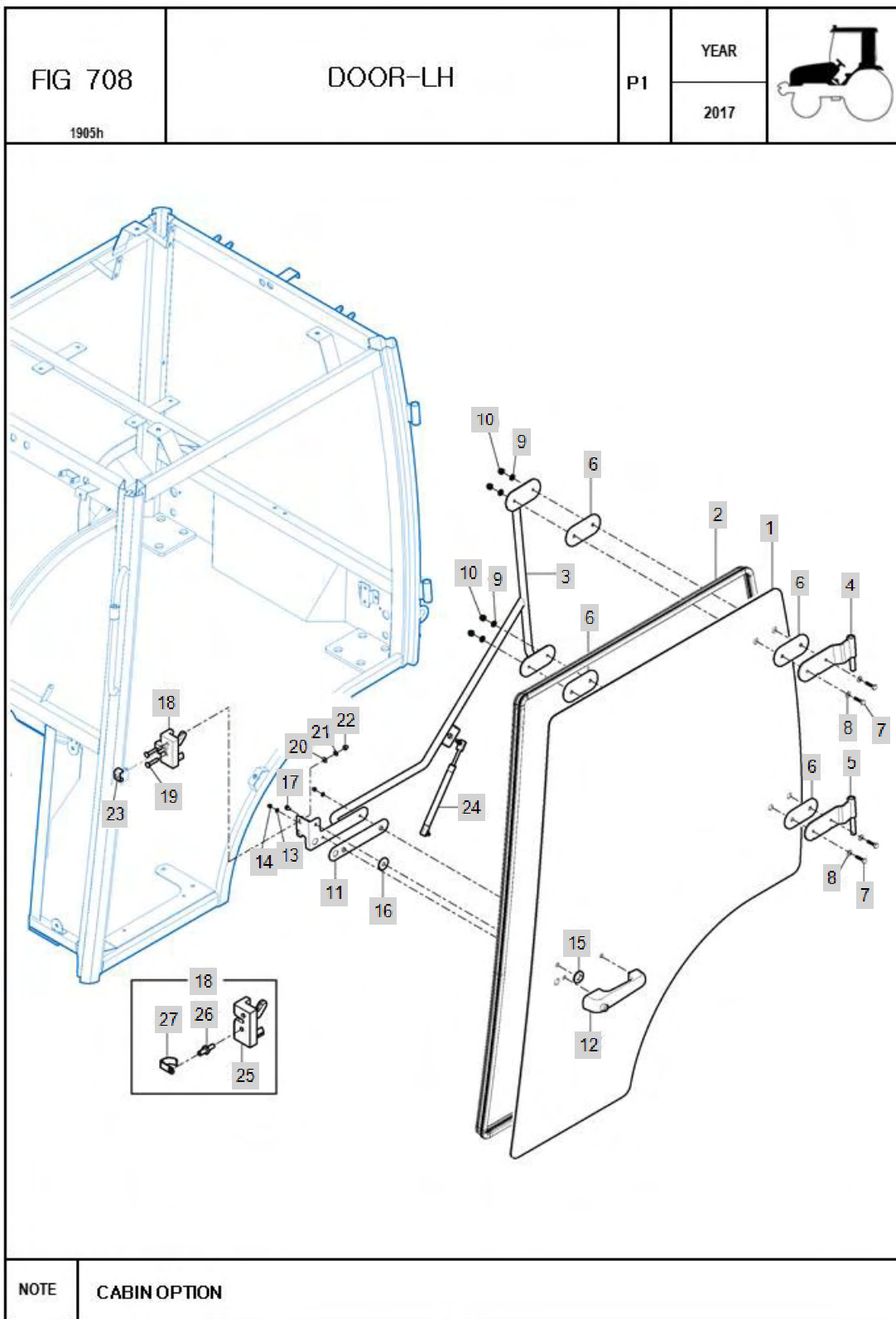
FIG C708

Branson 1905h EU-T

DOOR-LH

Year/Month

2020-07



NOTE CABIN OPTION





FIG C709

Branson 1905h EU-T

DOOR-RH

Year/Month

2020-07

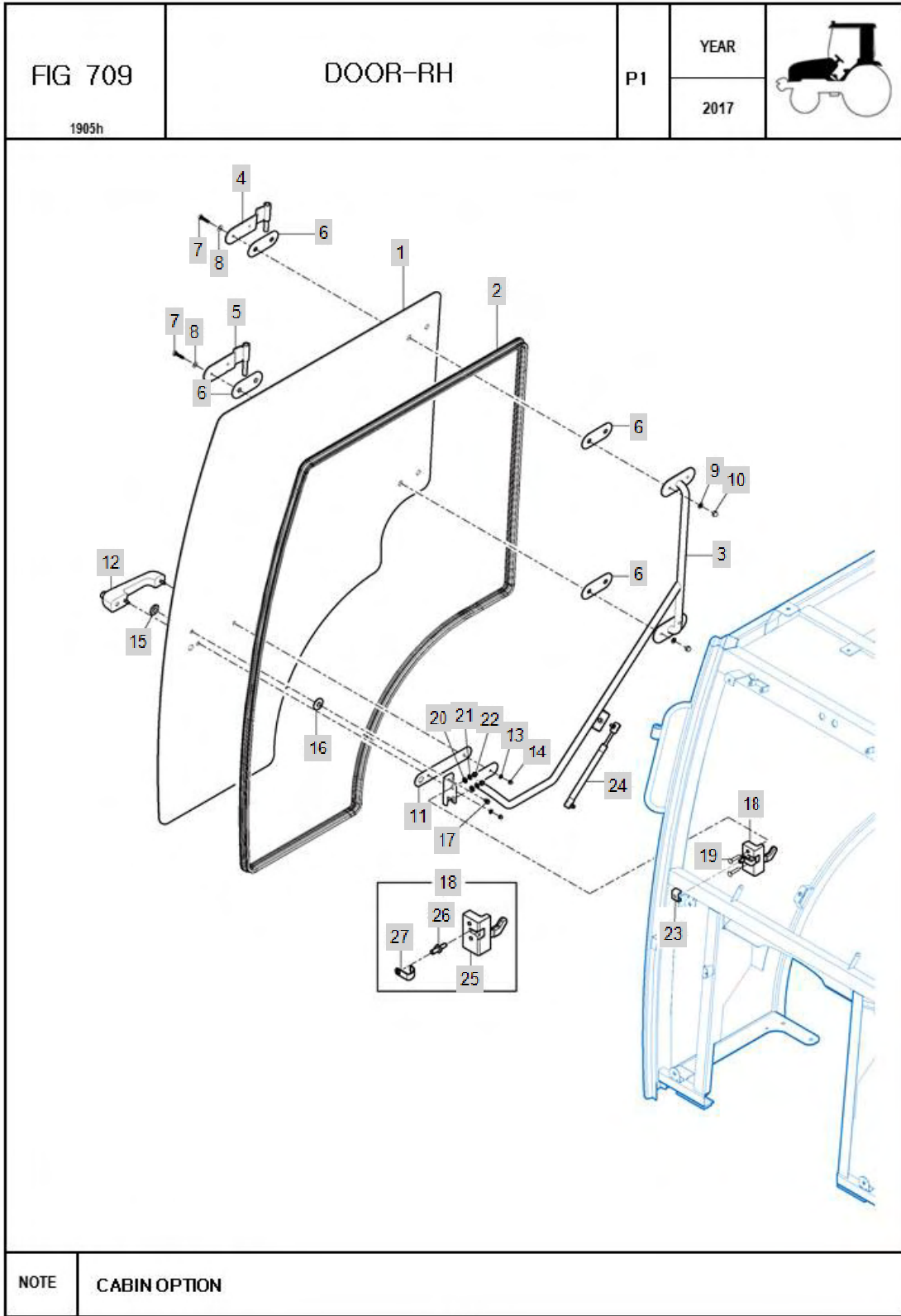




FIG C710

Branson 1905h EU-T

# REAR GLASS

Year/Month

2020-07

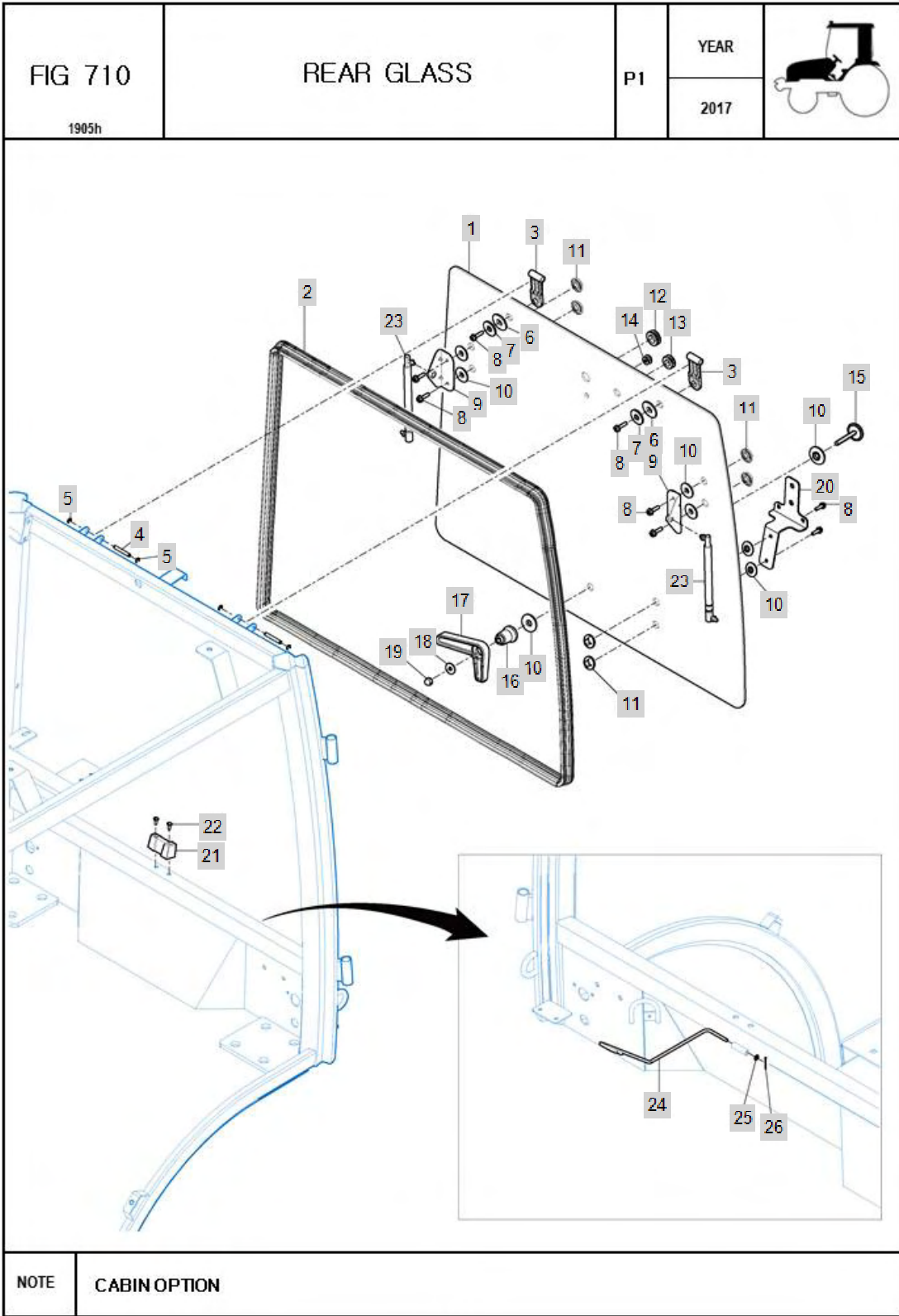




FIG C711

Branson 1905h EU-T

ROOF

Year/Month

2020-07

FIG 711

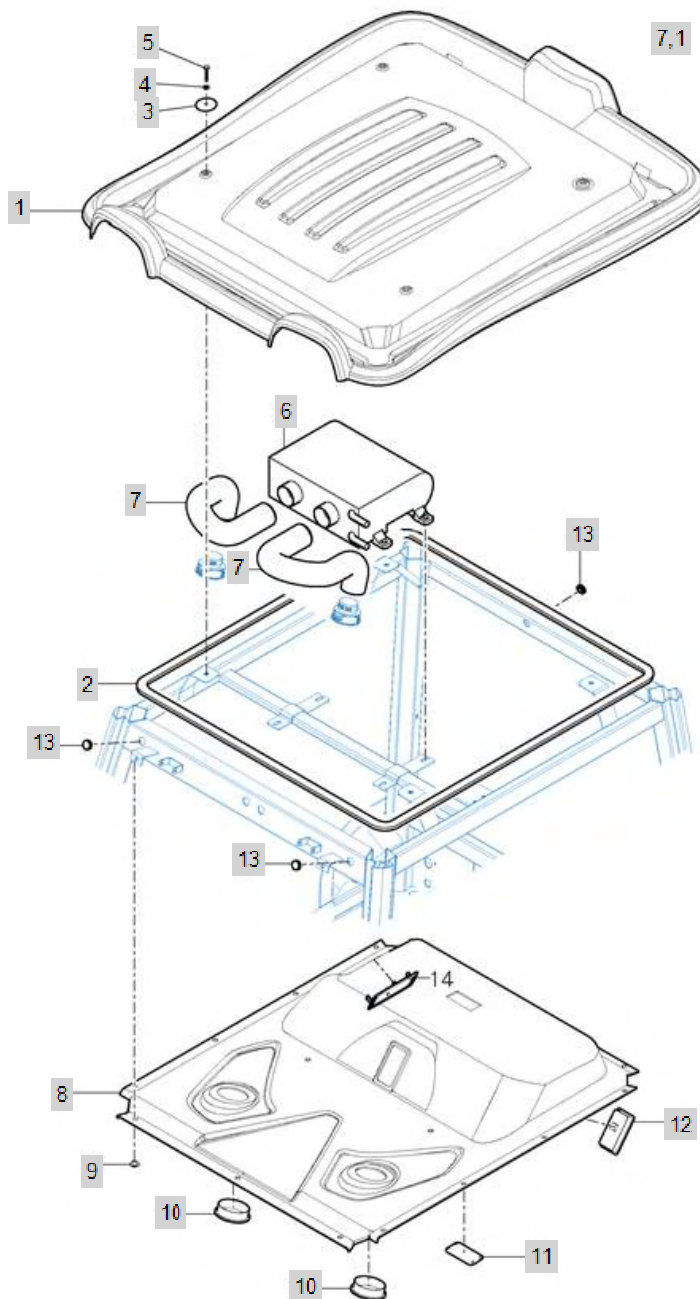
1905h

ROOF

P1

YEAR

2017



NOTE

CABIN OPTION



FIG C712

Branson 1905h EU-T

WORKING LAMP & FENDER COVER

Year/Month

2020-07

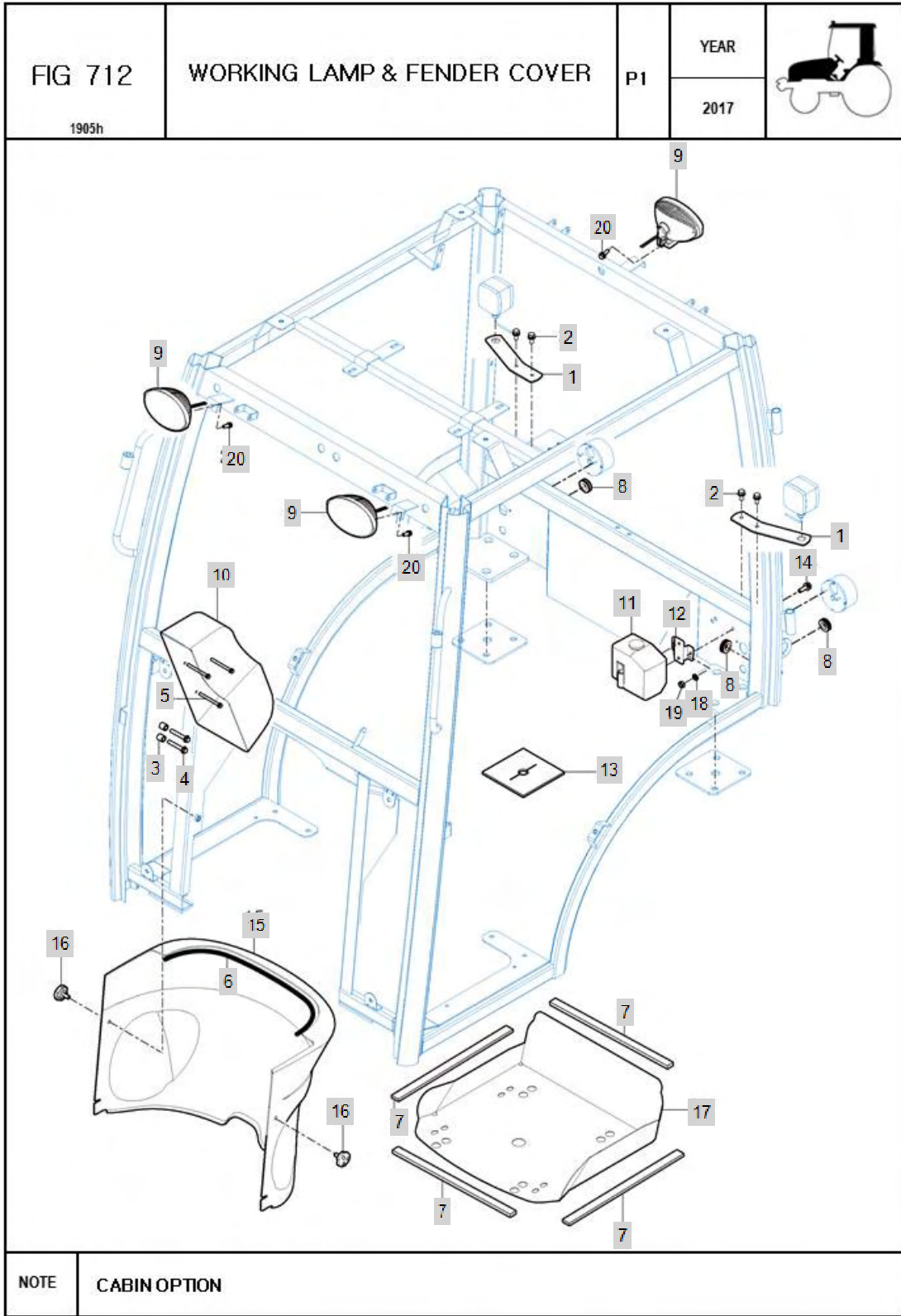






FIG C713

Branson 1905h EU-T

HEATER SUB

Year/Month

2020-07

FIG 713

HEATER SUB

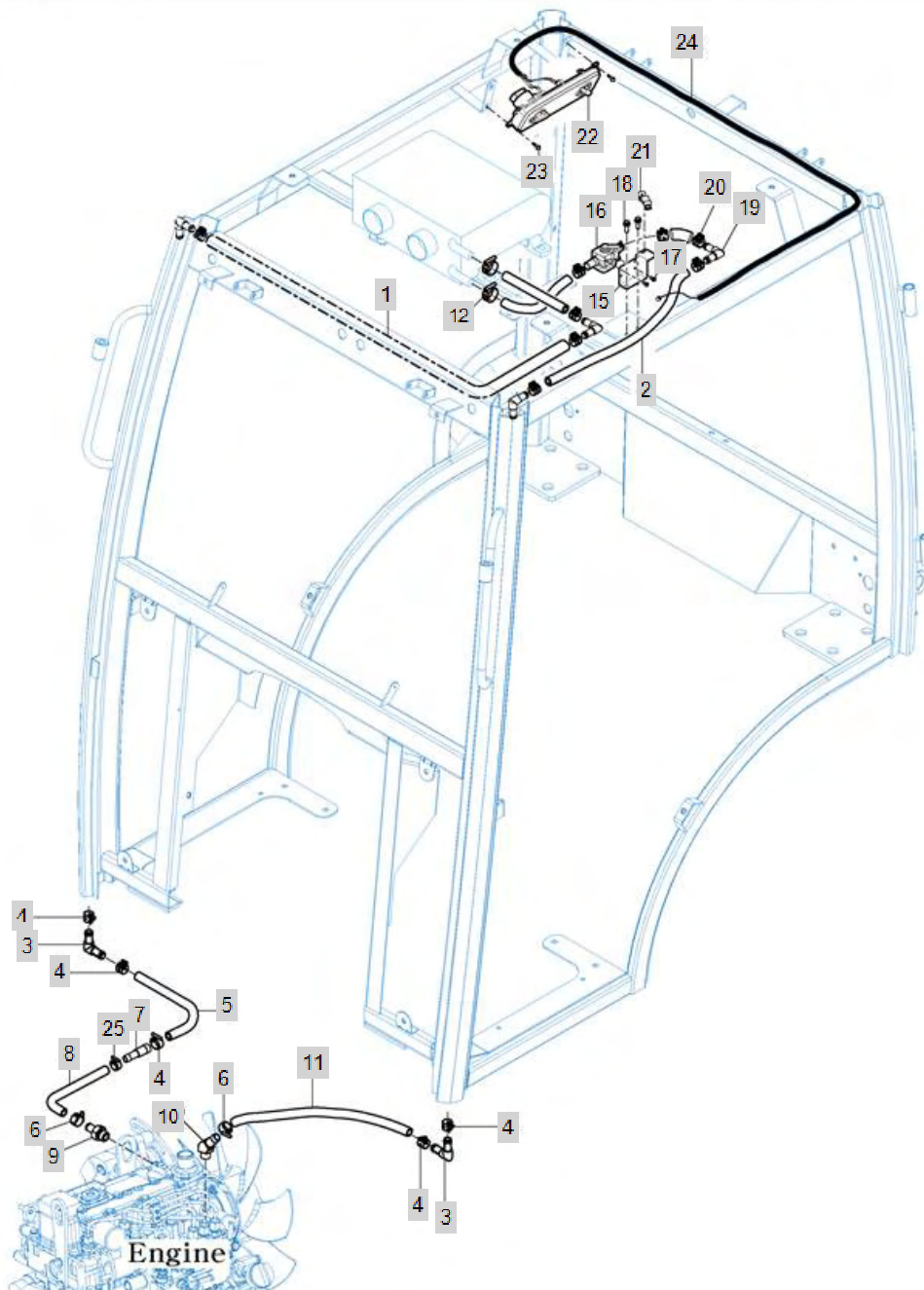
P1

YEAR

2017



1905h



NOTE

CABIN OPTION



FIG C801

Branson 1905h EU-T

# BATTERY MOUNTING

Year/Month

2020-07

FIG 801

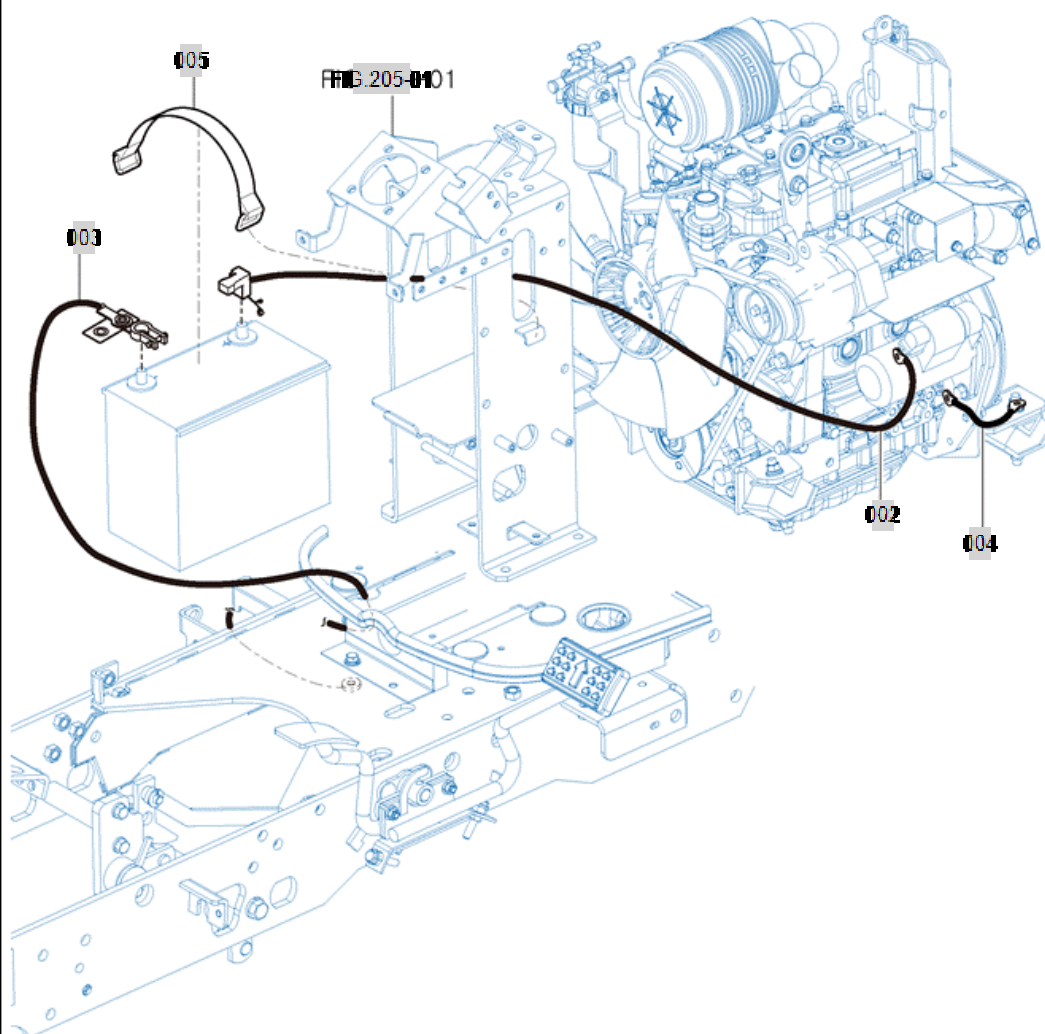
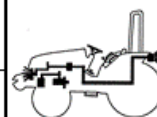
1905h

## BATTERY MOUNTING

P1

YEAR

2017



NOTE



FIG C802

Branson 1905h EU-T

INSTRUMENT PANEL-

Year/Month

2020-07

FIG 802

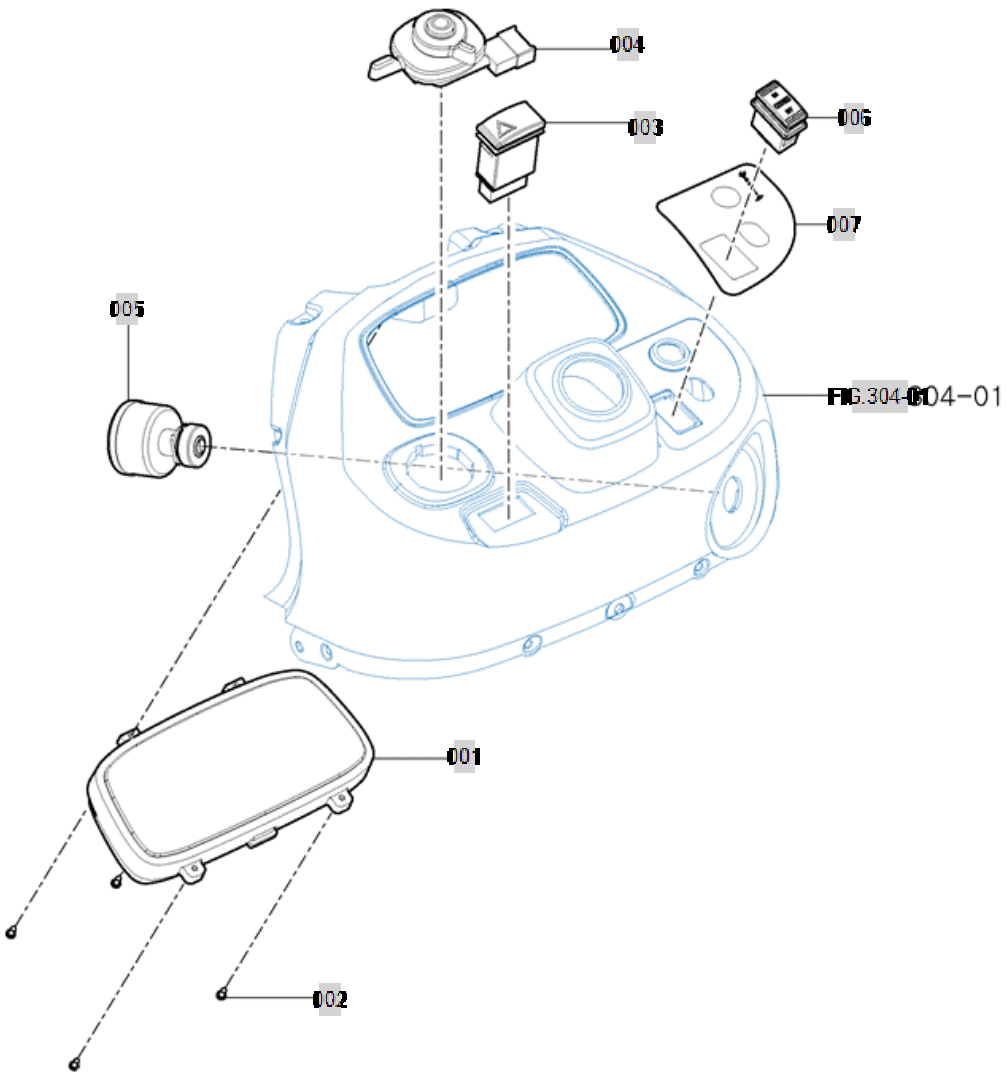
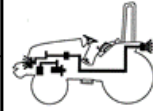
1905h

INSTRUMENT PANEL

P1

YEAR

2017



NOTE



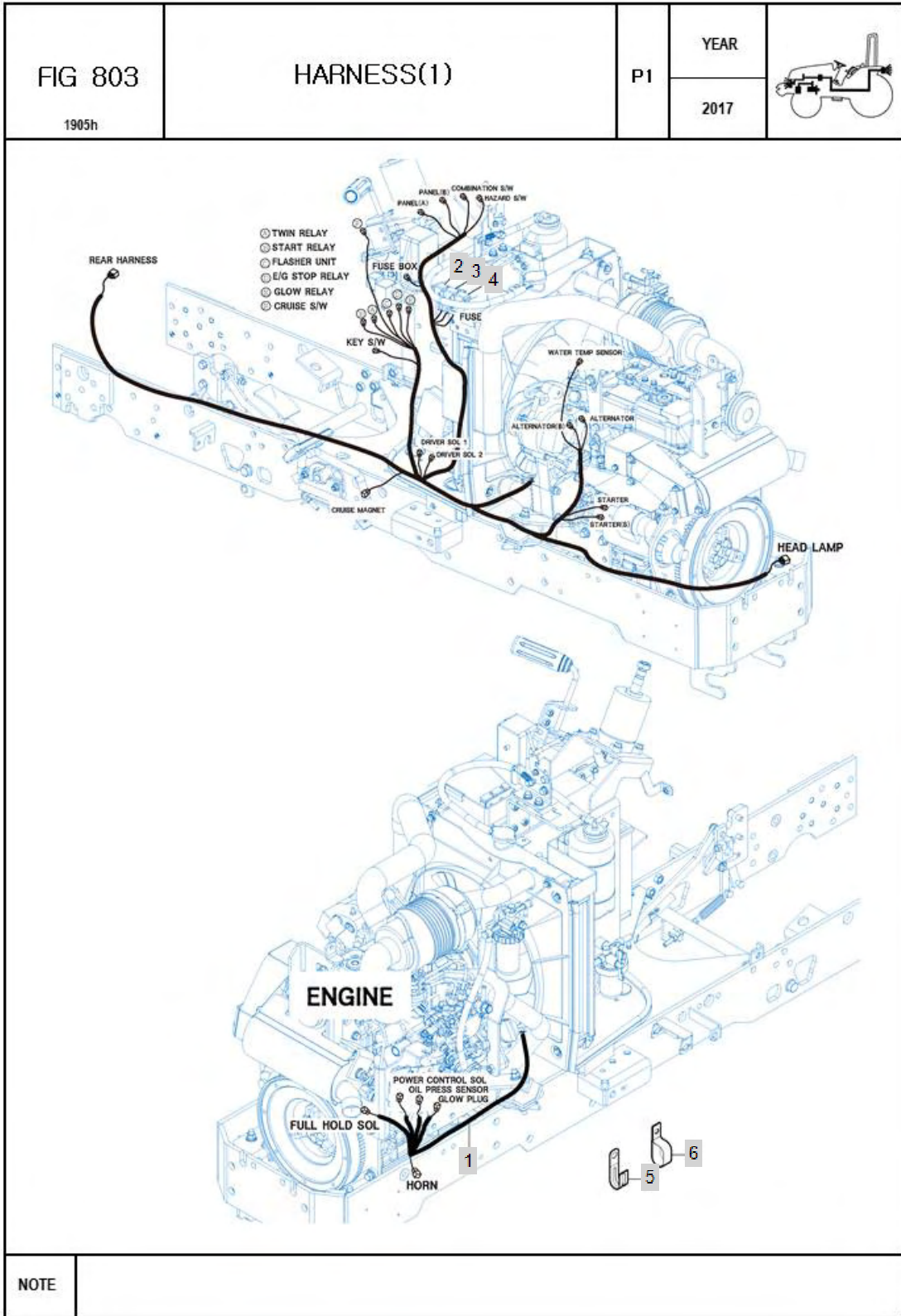






FIG C804

Branson 1905h EU-T

HARNESS(2)

Year/Month

2020-07

FIG 804

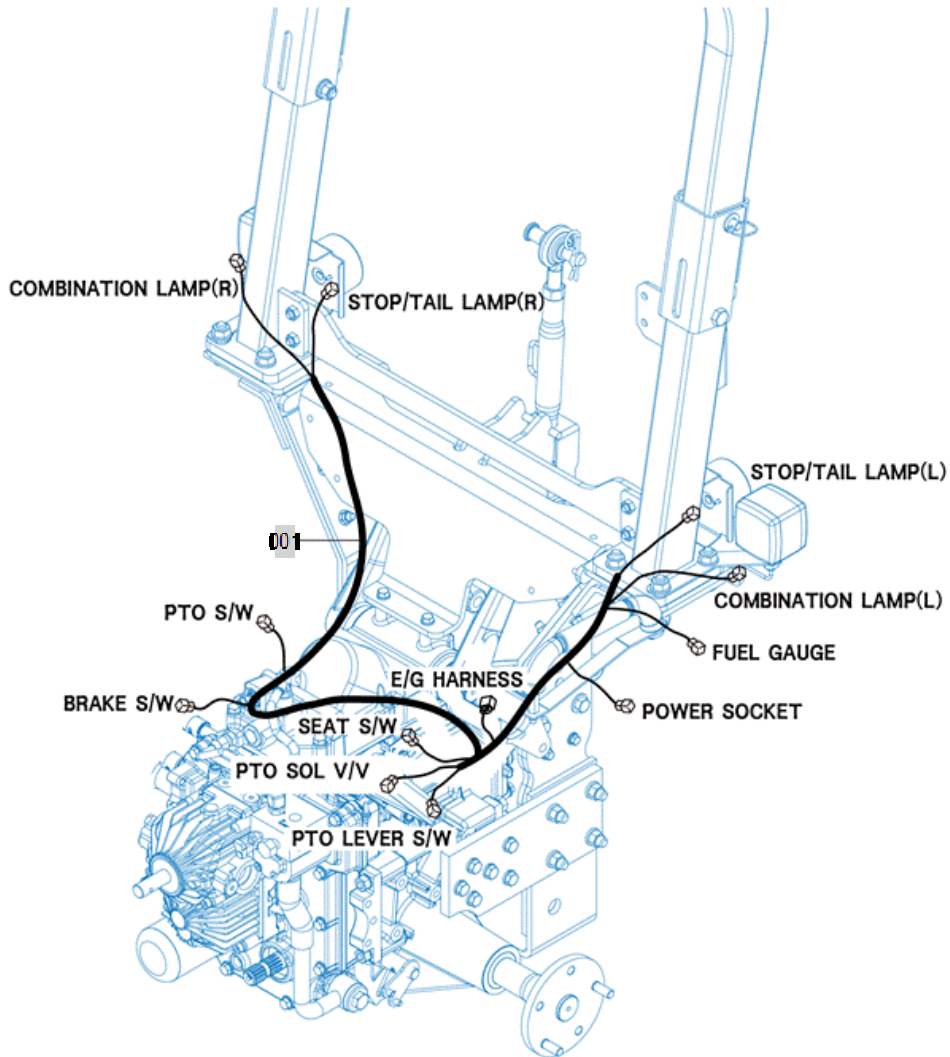
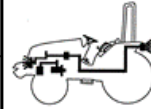
1905h

HARNESS(2)

P1

YEAR

2017



NOTE






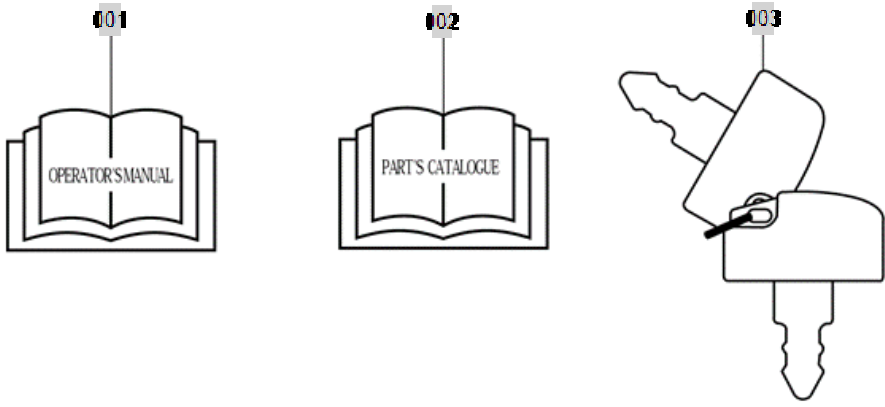
FIG C901

Branson 1905h EU-T

TOOL & ACCESSORY

Year/Month

2020-07

FIG 901 1905h	TOOL & ACCESSORY	P1	YEAR 2017	  
				
NOTE				



<p>FIG 902 1905h</p>	<p>LABEL</p>	<p>P1</p>	<p>YEAR 2017</p>	
--------------------------	--------------	-----------	----------------------	--

# Branson 1905h

**001** **WARNING**  
Start engine only from operators seat. If safety start switch is by passed engine can start with transmission in gear.  
Do not connect or short across terminal on starter solenoid.  
Attach booster cables as shown on battery decal and operators manual.  
Starting in gear causing runaway can result in serious injury.

**002** **PARKING BRAKE**  
Press down the master brake pedal and lock the parking lever at the same time.

**003** **WARNING**  
Always apply the park brake when parking. Failure to do so can cause accidents and damage.

**004** **WARNING**  
Work in ventilated Area.

**005** **WARNING**  
Always fasten Your seat belt.

**006** **DANGER**  
Do not ride except operator.

**007** **WARNING**  
Do not remove radiator cap while engine is hot. High steam will erupt when the cap is removed.

**008** **WARNING**  
Always use the correct tire inflation pressure. Under-inflation or over-inflation of a tire can cause failure and injury.

**009** **WARNING**  
Do not touch the hot engine or exhaust system. Hot surfaces can cause serious burns.

**010** **WARNING**  
Do not touch the hot engine or exhaust system. Hot surfaces can cause serious burns.

**011** **WARNING**  
Do not touch the hot engine or exhaust system. Hot surfaces can cause serious burns.

**012** **CAUTION**  
Do not touch the hot engine or exhaust system. Hot surfaces can cause serious burns.

**013** **CAUTION**  
Do not touch the hot engine or exhaust system. Hot surfaces can cause serious burns.

**014** **HOT**  
Do not touch the hot engine or exhaust system. Hot surfaces can cause serious burns.

**015** **CAUTION**  
Do not touch the hot engine or exhaust system. Hot surfaces can cause serious burns.

**016** **CAUTION**  
Do not touch the hot engine or exhaust system. Hot surfaces can cause serious burns.

**017** **Branson**  
MODEL: 1905h  
TYPE: ENGINE  
SERIAL NO.:  
MANUFACTURED: 1905h  
NOT ASSOCIATED WITH A BRAND

**018** **WARNING**  
Additions, alterations, cracking, damage or corrosion to this structure may adversely affect the performance of the ROPS.

**019** **DANGER**  
The Tractor may tip over unexpectedly and injure the operator. Always wear your seat belt when operating the tractor equipped with rollover protection structure (ROPS). Never get on or off the tractor or leave the tractor on a slope or uneven ground. Do not use the tractor on a slope that is more steeply sloped than high speed turn. Serious injury or death may result from tractor operation.

**020** **WARNING**  
Death or injury may result if the tractor rolls over with the ROPS in the folded down position. Operate the tractor with the ROPS folded down only when necessary. Do not ever fold and if equipped with ROPS folded down.

**021** **WARNING**  
The ROPS frame was tested in accordance with CECC Standard (Table 7) Equivalent to ISO 15861/1 for use on Branson tractor model 1905h with a maximum EMAG of 500kg. Manufactured by TM KOREA.

**022** **ENVIRONMENTAL**  
USE ULTRA LOW SULFUR FUEL ONLY

**023** **WARNING**  
Do not use the accelerator lever except working on the field.

**024** **WARNING**  
Do not use the accelerator lever except working on the field.

**025** **WARNING**  
Attach implements and trailers to the tractor only using the prescribed drawbar or hitch.

**026** **DANGER**  
Rotating driveline contact can cause death. KEEP AWAY! Keep all drive line, tractor and equipment steady in place during operation.

**027** **WARNING**  
Do not use the accelerator lever except working on the field.

**028** **WARNING**  
Attach implements and trailers to the tractor only using the prescribed drawbar or hitch.

**029** **DANGER**  
Rotating driveline contact can cause death. KEEP AWAY! Keep all drive line, tractor and equipment steady in place during operation.

NOTE

162

