

KUKJE Branson 6225Ch(EU)\_EN  
(AC01282) TRACTOR

Parts Catalogue



BRANSON TRACTOR

# CONTENTS

GROUP NO	GROUP NAME	PAGE
	LEVER ACCELERATOR	5
	STEERING COLUMN	7
	P.S.T CYLINDER	9
	LOWER LINK(2017.04)	11
	ENGINE SUB	13
	ENGINE SUB (2017.04)	16
	4PORT ASS'Y(201605)	19
	CABIN FREAM ASS'Y(201703)	22
	CEILING ASS'Y(2016.07)	24
	COMPRESSOR	26
	SPARE TOOLS	28
	P.S.T HOSE	30
	HYD SHIFT TRANSMISSION GEAR	32
	20CH_EN	34
	FLY WHEEL HOUSING	36
	PTO DAMPER	38
	HYD SHIFT TRANSMISSION HOUSING	40
	HYD SHIFT TRANSMISSION PEDAL	42
	FRONT DRIVE&RANGE SHIFT LEVER	45
	FRONT DRIVE & RANGE SHIFT LEVER	48
	GEAR,IND PTO SPEED CHANGE	51
	FRONT ALXE BRACKET	54
	REAR AXLE CASE, PTO SHIFT	56
	LEVER ASS'Y, PTO SPEED CHANGE	58
	HOUSING, REAR AXLE	60
	DRIVING PART, REAR AXLE	62
	BRAKE	65
	BRAKE LINK	67
	SUPPORT, BRAKE	69
	HYD PUMP	71
	CASE, HYD CYLINDER	73
	CENTER PIN SUPPORTER	75
	IND PTO SUPPPT	77
	PISTON ASS'Y	79
	SAFTY VALVE	81

GROUP NO	GROUP NAME	PAGE
	STOP VALVE	83
	HYD CONTROL POSITION TYPE	85
	HYD CONTROL POSITION TYPE	87
	DRAFT CONTROL	89
	HYD PIPING	91
	OIL COOLER	93
	HYD FILTER	95
	TIE ROD	97
	SWITCH	99
	HORN	101
	LAMP	103
	METER ASS'Y	105
	BONNET	107
	BONNET SUPPORT_5825CH/6225CH	109
	DASH BOARD	112
	FOOT REST ASS'Y	114
	RING GEAR, DIFFERENTIAL GEAR	116
	FUEL TANK	118
	NAME PLATE	121
	DRAWBAR HITCH	123
	FRONT WEIGHT	125
	4PORT ASS'Y	127
	NUMBER PLATE	130
	GEAR CASE, FRONT AXLE	132
	CABIN FREAM ASS'Y	135
	FENDER ASS'Y	137
	PILLAR COVER ASS'Y	139
	FRONT WINDOWS ASS'Y	141
	DOOR ASS'Y	143
	REAR WINDOWS ASS'Y	145
	SIDE MIRROR ASS'Y	147
	ROOF ASS'Y	149
	CEILING ASS'Y	151
	A/C DUCT ASS'Y	153
	SPACER	155



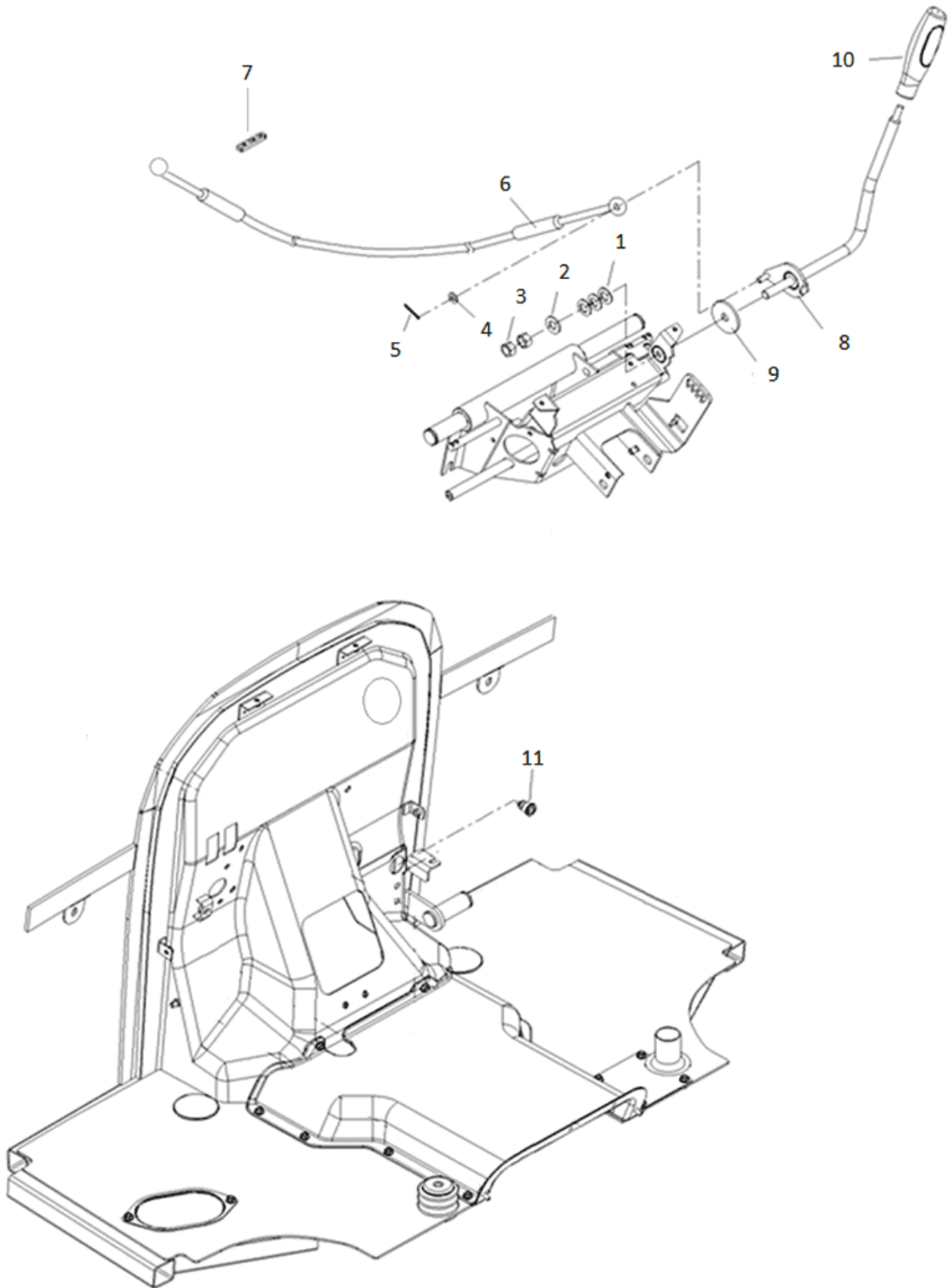
FIG

Branson 6225Ch(EU)  
\_EN(AC01282)

LEVER ACCELERATOR

Year/Month

2021-01





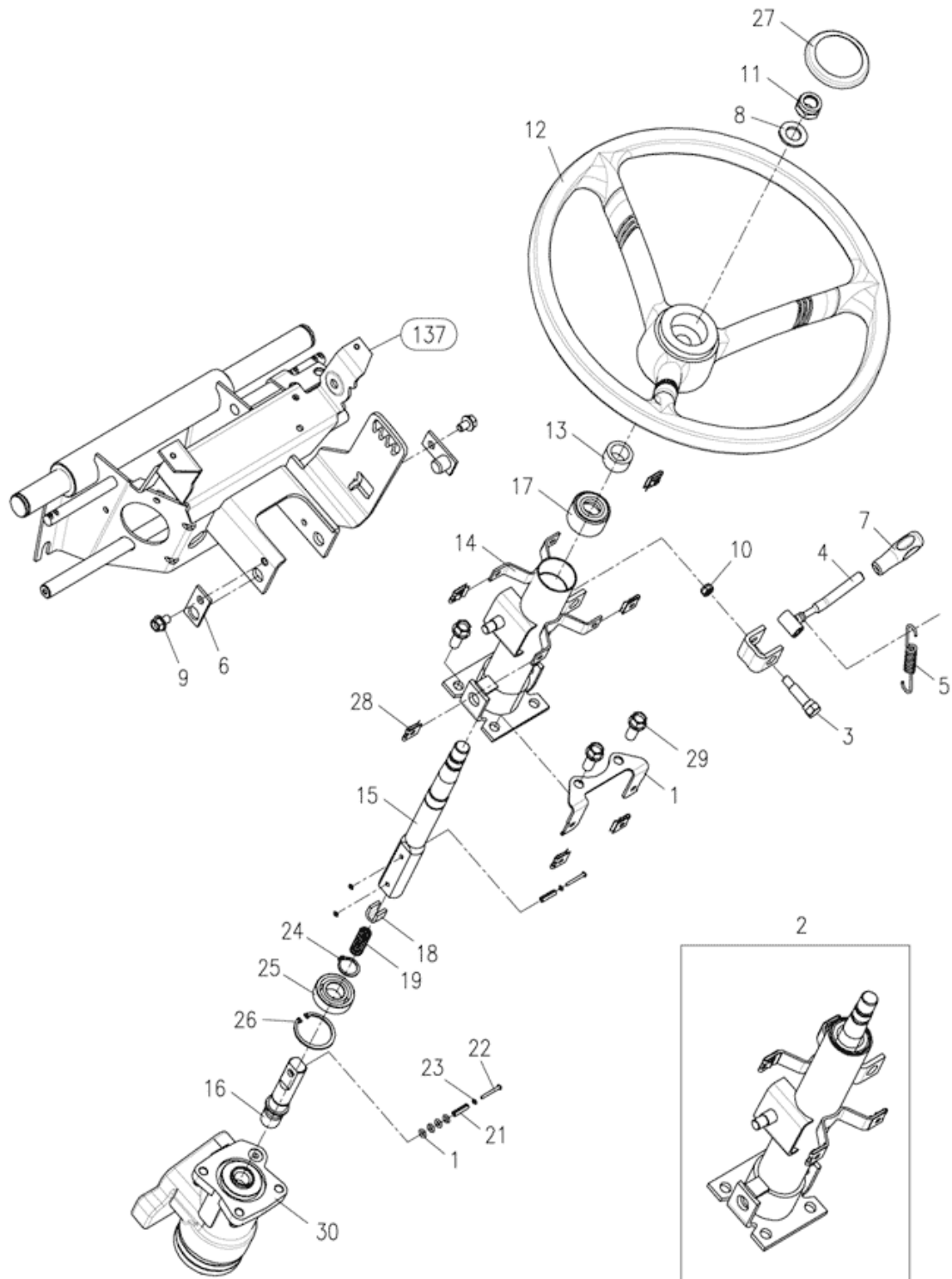
FIG

Branson 6225Ch(EU)  
\_EN(AC01282)

STEERING COLUMN

Year/Month

2021-01







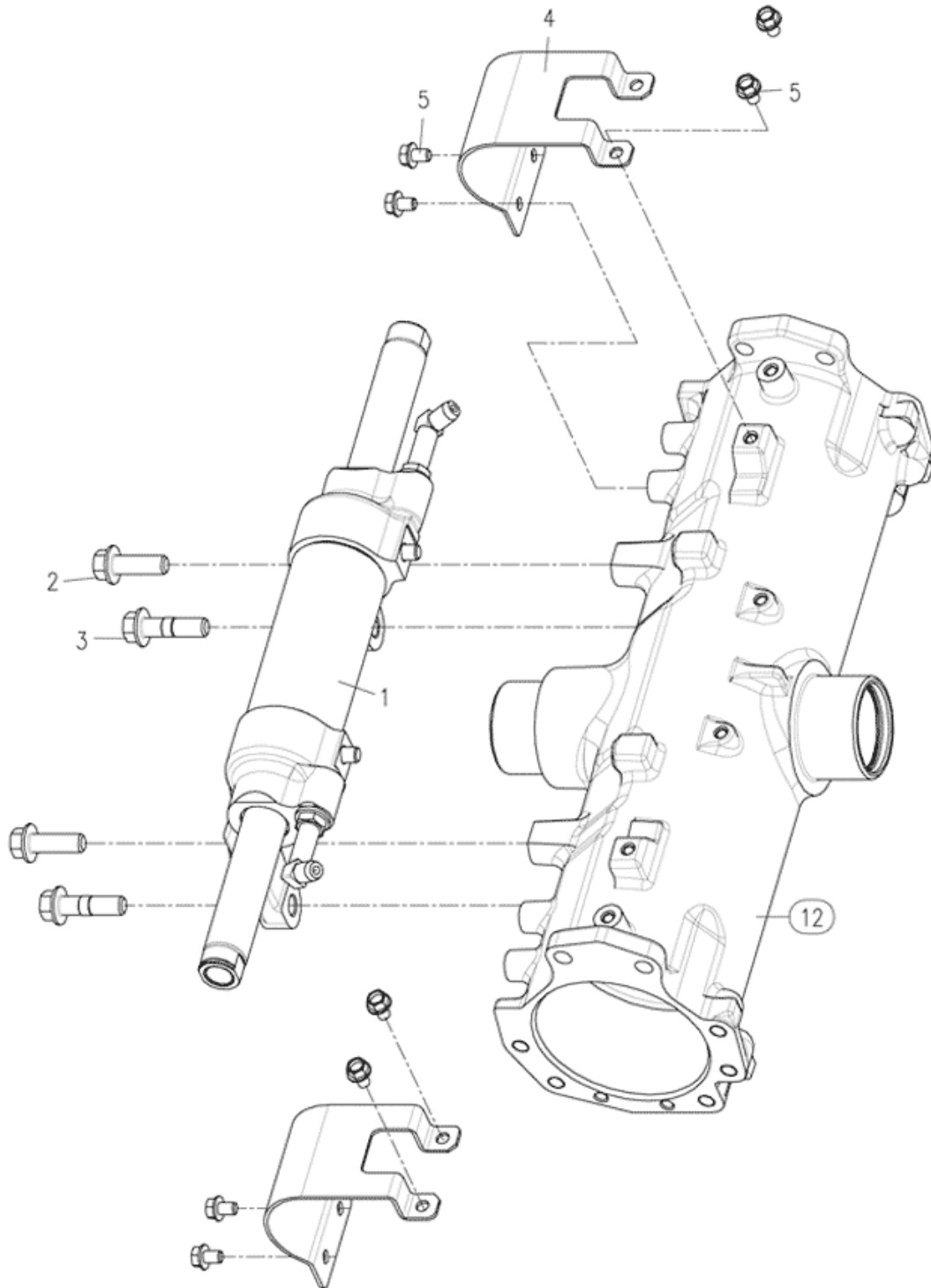
FIG

Branson 6225Ch(EU)  
\_EN(AC01282)

P.S.T CYLINDER

Year/Month

2021-01









FIG

Branson 6225Ch(EU)  
\_EN(AC01282)

ENGINE SUB

Year/Month

2021-01

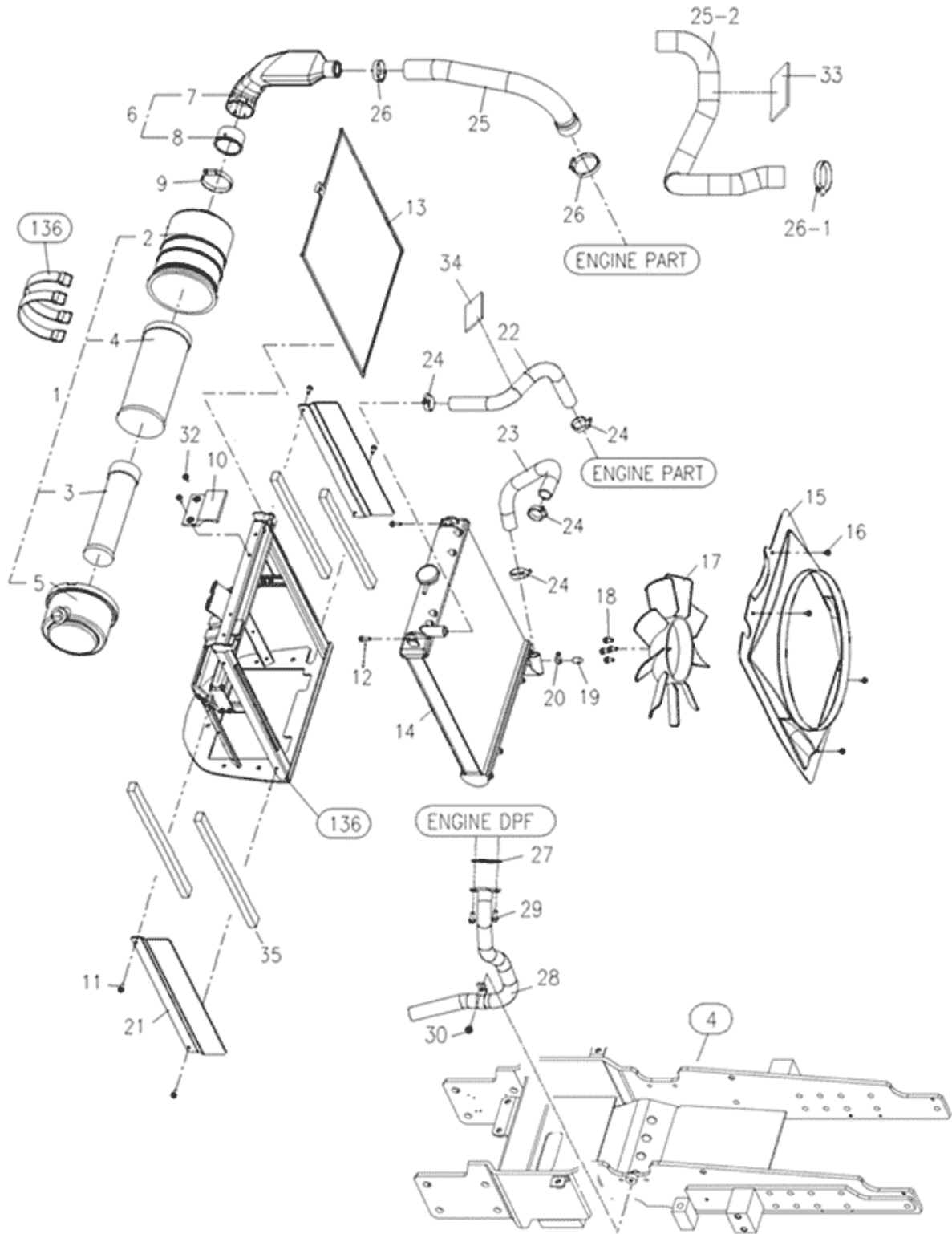


FIG		ENGINE SUB			Year/Month
Branson 6225Ch(EU) _EN(AC01282)					2021-01
KeyNo.	Part Number	Description	Quantity	Other	
1	HLT0621000A2	AIRCLEANER A'SSY	1		
2	HLT0621010A9	BODY, AIRCLEANER	1		
3	HLT0621020A9	ELEMENT, AIR CLEANER (OUTER)	1		
4	HLT0621030A9	ELEMENT, AIR CLEANER (INNER)	1		
5	HLT0621040A9	COVER	1		
6	TA00025594A	INTAKE PIPE ASSY	1		
7	TA00025593A	PIPE	1		
8	TA00021622A	SEAL	1		
9	23000-080000	HOSECLAMP80	1		
10	TA00025591A	CUSHION RUBBER	1		
11	26106-060162	HEXFLANGEBOLT	4		
12	26014-060252	Bolt, Hexa (6-25)	2		
13	TA00024833B	NET	1		
13	TA00024833B	NET	1		
14	EA00003972A	RADIATOR	1		
15	TA00032760C	SHROUD	1		
15	TA00032760C	SHROUD	1		
15	TA00032760D	SHROUD	1		
15	TA00032760E	SHROUD	1		
15	TA00032760F	SHROUD	1		
16	HRA1203200A4	TAPPINGSCREW	4		
17	TA00043900A	FAN	1		
18	26106-080162	SCREW,HEXFLANGEHEADCAP	4		
19	HRC1201200A4	CAP,COOLER	1		
20	23000-016000	Clip, Hose (Φ16)	1		
21	TA00025570A	RADIATOR BRACKET	2		
21	TA00025570B	RADIATOR BRACKET	2		
21	TA00025570C	RADIATOR BRACKET	2		
22	TA00036682A	HOSE A, COOLING	1		
23	TA00025609C	HOSE IN COOLING	1		
23	TA00025609B	HOSE IN COOLING	1		
23	TA00025609C	HOSE IN COOLING	1		
24	23010-038000	HOSEBAND	4		
25	TA00034848A	INTAKE HOSE	1		
26	23000-054000	HOSECLAMP54	2		
26.20	23000-070000	CLAMP,HOSE	1		
27	HK0514000EA4	GASKET	1		
28	TA00034860B	EXHAUST PIPE ASS'Y	1		
28	TA00034860B	EXHAUST PIPE ASS'Y	1		
28	TA00034860C	EXHAUST PIPE ASS'Y	1		
28	TA00034860D	EXHAUST PIPE ASS'Y	1		
29	26106-080202	SQR FLANGE BOLT	2		
30	26106-080122	Bolt, Hexa (8-12)	1		
31	TA00026821A	COVER	1		
32	26015-060162	BOLT	2		



FIG

Branson 6225Ch(EU)  
\_EN(AC01282)

ENGINE SUB (2017.04)

Year/Month

2021-01

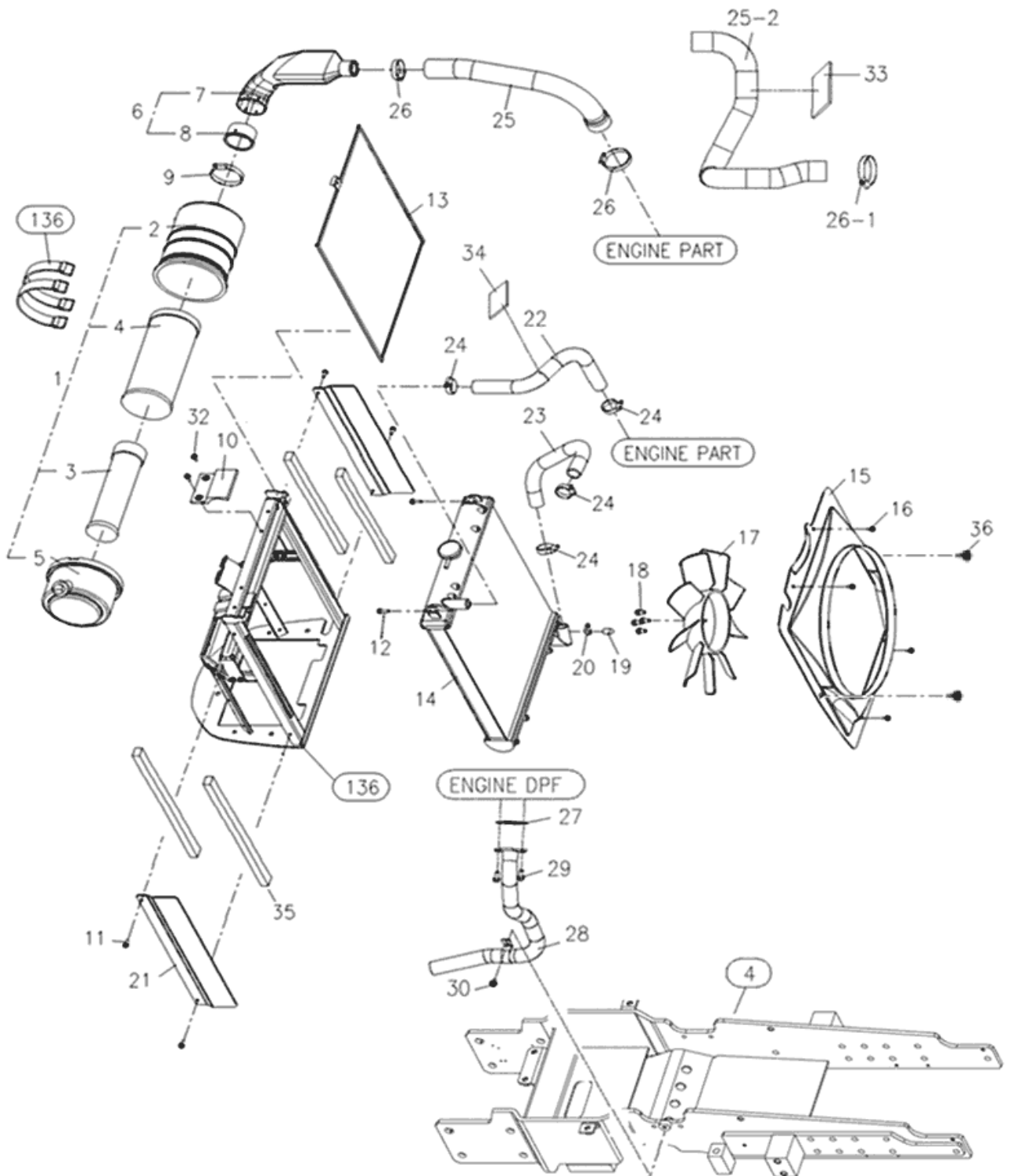




FIG		ENGINE SUB (2017.04)			Year/Month
Branson 6225Ch(EU) _EN(AC01282)					2021-01
KeyNo.	Part Number	Description	Quantity	Other	
1	HLT0621000A2	AIRCLEANER A'SSY	1		
2	HLT0621010A9	BODY, AIRCLEANER	1		
3	HLT0621020A9	ELEMENT, AIR CLEANER (OUTER)	1		
4	HLT0621030A9	ELEMENT, AIR CLEANER (INNER)	1		
5	HLT0621040A9	COVER	1		
6	TA00025594A	INTAKE PIPE ASSY	1		
7	TA00025593A	PIPE	1		
8	TA00021622A	SEAL	1		
9	23000-080000	HOSECLAMP80	1		
10	TA00025591A	CUSHION RUBBER	1		
11	26106-060162	HEXFLANGEBOLT	4		
12	26014-060252	Bolt, Hexa (6-25)	2		
13	TA00024833B	NET	1		
13	TA00024833B	NET	1		
14	EA00003972A	RADIATOR	1		
15	TA00032760C	SHROUD	1		
15	TA00032760C	SHROUD	1		
15	TA00032760D	SHROUD	1		
15	TA00032760E	SHROUD	1		
15	TA00032760F	SHROUD	1		
16	HRA1203200A4	TAPPINGSCREW	4		
17	TA00043900A	FAN	1		
18	26106-080162	SCREW,HEXFLANGEHEADCAP	4		
19	HRC1201200A4	CAP,COOLER	1		
20	23000-016000	Clip, Hose (Φ16)	1		
21	TA00049446A	BRACKET ASS'Y, RADIATOR	2	201704	
22	TA00036682A	HOSE A, COOLING	1		
23	TA00025609C	HOSE IN COOLING	1		
23	TA00025609B	HOSE IN COOLING	1		
23	TA00025609C	HOSE IN COOLING	1		
24	23010-038000	HOSEBAND	4		
25	TA00034848A	INTAKE HOSE	1		
26	23000-054000	HOSECLAMP54	2		
26.20	23000-070000	CLAMP,HOSE	1		
27	HK0514000EA4	GASKET	1		
28	TA00034860B	EXHAUST PIPE ASS'Y	1		
28	TA00034860B	EXHAUST PIPE ASS'Y	1		
28	TA00034860C	EXHAUST PIPE ASS'Y	1		
28	TA00034860D	EXHAUST PIPE ASS'Y	1		
29	26106-080202	SQR FLANGE BOLT	2		
30	26106-080122	Bolt, Hexa (8-12)	1		
31	TA00026821A	COVER	1		
32	26015-060162	BOLT	2		
33	TA00036162C	INSULATOR	2		
33	TA00036162B	INSULATOR	2		



FIG

Branson 6225Ch(EU)  
\_EN(AC01282)

4PORT ASS'Y(201605)

Year/Month

2021-01

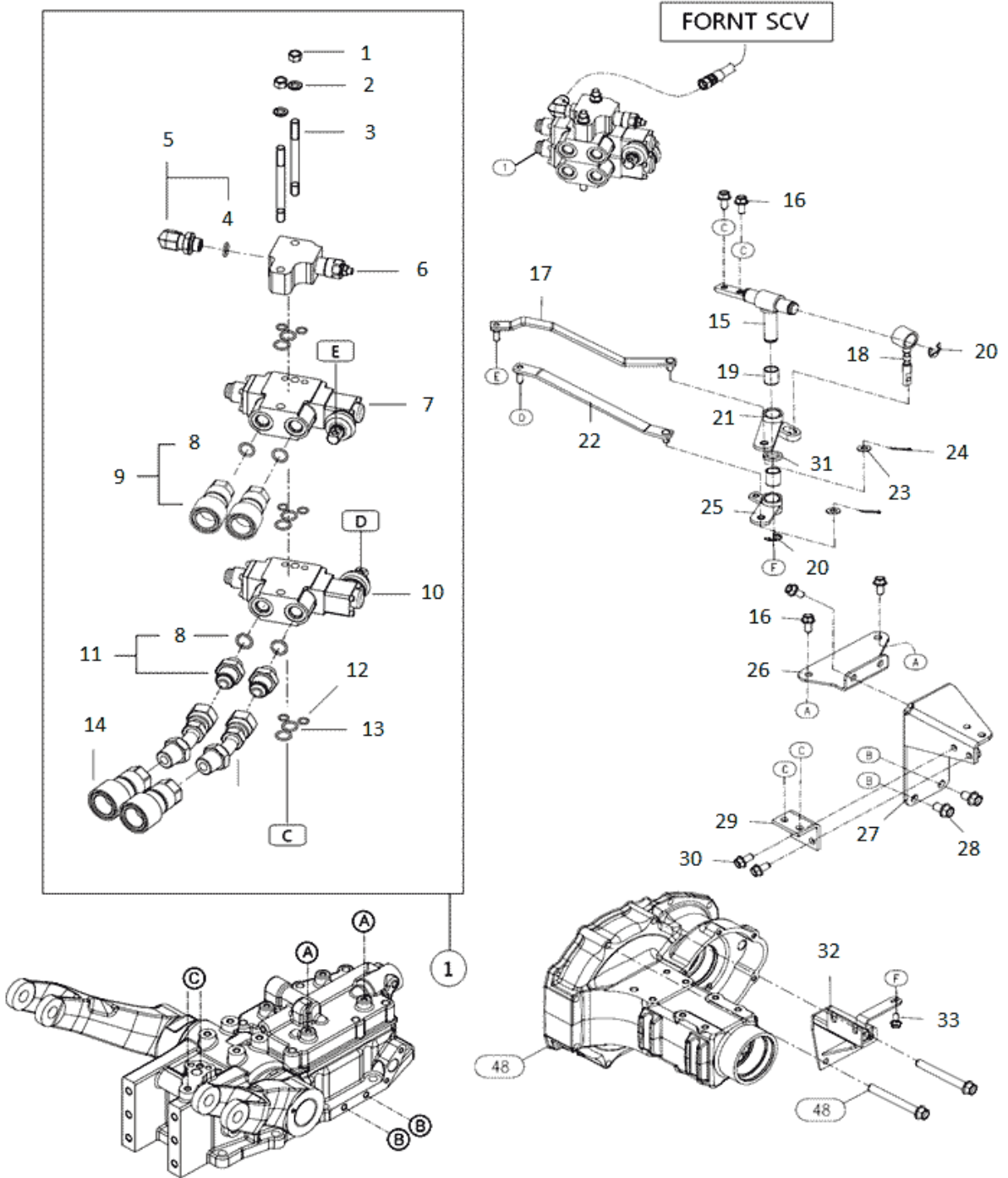


FIG		4PORT ASS'Y(201605)			Year/Month
Branson 6225Ch(EU) _EN(AC01282)					2021-01
KeyNo.	Part Number	Description	Quantity	Other	
1	26716-100002	Nut, Hexa (Φ10)	2		
2	22217-100000	WASHER, SPRING (Φ 10)	2		
3	TA00034089A	BOLT	2		
3	TA00034089B	BOLT	2		
4	24311-000140	O-RING, DYNAMIC (Φ14)	1		
5	TA00035078A	ELBOW	1		
5	TA00035078B	ELBOW	1		
6	TA00033977A	COVER RELIEF	1		
6	TA00033977B	COVER RELIEF	1		
7	TA00037393A	SCV2(D)	1		
8	24311-000160	O-RING, DYNAMIC (Φ16)	4		
9	TA00043300A	QUICK COUPLUNG(1/2")	2		
9	TA00043300B	QUICK COUPLUNG(1/2")	2		
10	TA00028226A	REAR SCV 1	1		
10	TA00028226B	SCV	1		
10.10	TA00048561A	SCV(FLOATING)	1	option	
10.10	TA00048561B	SCV(FLOATING)	1		
11	TA00042245A	ADAPTER	2		
11	TA00042245B	ADAPTER	2		
11	TA00042245C	ADAPTER	2		
12	24311-000100	O-RING, DYNAMIC (Φ10)	6		
13	24311-000160	O-RING, DYNAMIC (Φ16)	6		
14	FBA3060000A4	ADAPTER (1/2")	2		
14	FBA3060000B4	"JOINT(1/2""")	2		
15	TA00034042A	SHAFT ASS'Y	1		
15	TA00034042B	SHAFT ASS'Y	1		
15	TA00034042C	SHAFT ASS'Y	1		
15	TA00034042D	SHAFT ASS'Y	1		
16	26106-080162	SCREW,HEXFLANGEHEADCAP	4		
17	TA00034039A	LINK 2 ASS'Y	1		
18	TA00036917A	SCV_ROD_B	1		
18	TA00036917B	SCV_ROD_B	1		
18	TA00036917C	SCV_ROD_B	1		
19	24550-016200	DRY BUSH 16X20	2		
20	22272-000120	RING, CIRCLIP (Φ 12)	3		
21	TA00037361A	BOSS_A_ASS'Y	1		
21	TA00037361B	BOSS_A_ASS'Y	1		
21	TA00037361C	BOSS_A_ASS'Y	1		
22	TA00034019A	LINK 1 ASS'Y	1		
22	TA00034019B	LINK 1 ASS'Y	1		
23	22137-080000	WASHER, PLAIN (Φ 08)	4		
24	22417-200200	PIN , COTTER (2-20)	4		
25	TA00037363A	BOSS_B_ASSY	1		
25	TA00037363B	BOSS_B_ASSY	1		
25	TA00037363C	BOSS_B_ASSY	1		



FIG

Branson 6225Ch(EU)  
\_EN(AC01282)

CABIN FREAM ASS'Y(201703)

Year/Month

2021-01

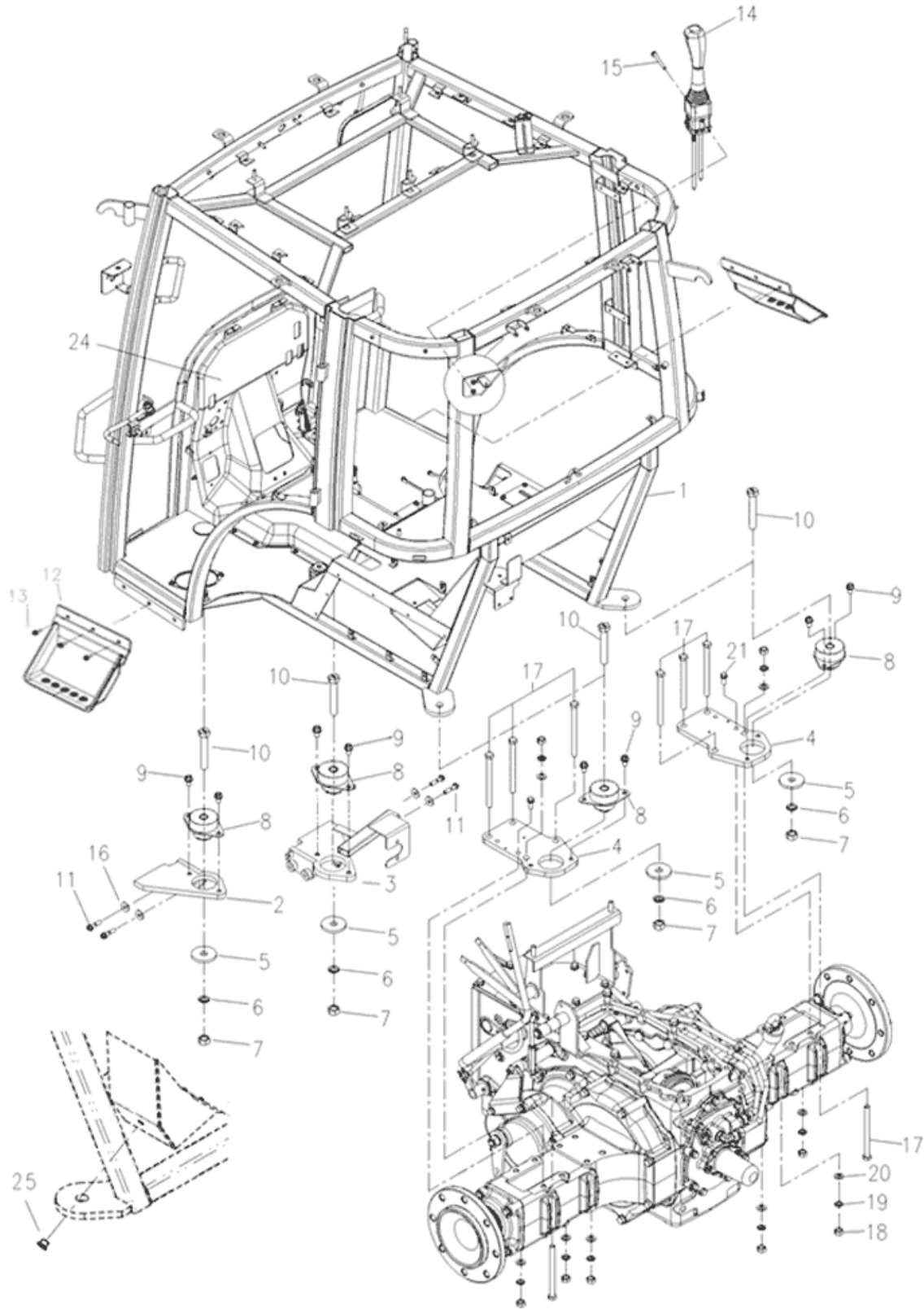


FIG		CABIN FREAM ASS'Y(201703)			Year/Month
Branson 6225Ch(EU) _EN(AC01282)					2021-01
KeyNo.	Part Number	Description	Quantity	Other	
1	TA00028800C	HST CABIN FRAME ASS'Y	1		
1	TA00028800B	HST CABIN FRAME ASS'Y	1		
1	TA00028800C	HST CABIN FRAME ASS'Y	1		
1	TA00028800D	HST CABIN FRAME ASS'Y	1		
1	TA00028800E	HST CABIN FRAME ASS'Y	1		
1	TA00028800F	HST CABIN FRAME ASS'Y	1		
2	TA00035953A	SUPPORT ASSY	1		
3	TA00044856B	BRACKET, FRONT(R)	1		
3	TA00044856B	BRACKET, FRONT(R)	1		
4	TA00027276A	BRACKET REAR	2		
4	TA00027276B	BRACKET REAR	2		
5	TH51050000A4	WASHER	4		
5	TH51050000B4	WASHER	4		
6	22217-200000	WASHER, SPRING (Φ 20)	4		
7	26716-200002	NUT	4		
8	TA00017825A	CUSHION RUBBER -> TA00017825B	4		
9	26106-120202	BOLT	8		
10	FTK1320000A4	BOLT	4		
10	FTK1320000B4	BOLT	4		
11	CA00001686A	BOLT HEXAGON M10X45	4		
12	TA00047071A	STEP	2		
12	TA00047071B	STEP	2		
13	26106-100202	HEX BOLT, (10-20)	6	201703	
14	TA00038660A	JOY-STICK ASS'Y	1	201703	
15	26106-080802	SCREW, HEXFLANGEHEADCAP	2		
16	22217-10000	SPRING WASHER	4		
17	TTF8170000A	BOLT	8		
17	TTF8170000B4	BOLT	8		
18	26716-160002	NUT	8		
19	22217-160000	WASHER, SPRING (Φ 16)	8		
20	22137-160000	WASHER, PLAIN (Φ 16)	8		
20	-	PLAIN WASHER	8		
21	26013-120322	HEX BOLT W/WASHER	4		
22	TA00035126A	JOY-STICK	1		
23	TA00038396A	JOY-STICK CABLE	1		
24	TA00028798E	HST HEAT INSULATOR ASS'Y	1		
24	TA00028798B	HST HEAT INSULATOR ASS'Y	1		
24	TA00028798C	HST HEAT INSULATOR ASS'Y	1		
24	TA00028798D	HST HEAT INSULATOR ASS'Y	1		
24	TA00028798E	HST HEAT INSULATOR ASS'Y	1		
24	TA00028798F	HST HEAT INSULATOR ASS'Y	1		
24	TA00028798G	HST HEAT INSULATOR ASS'Y	1		

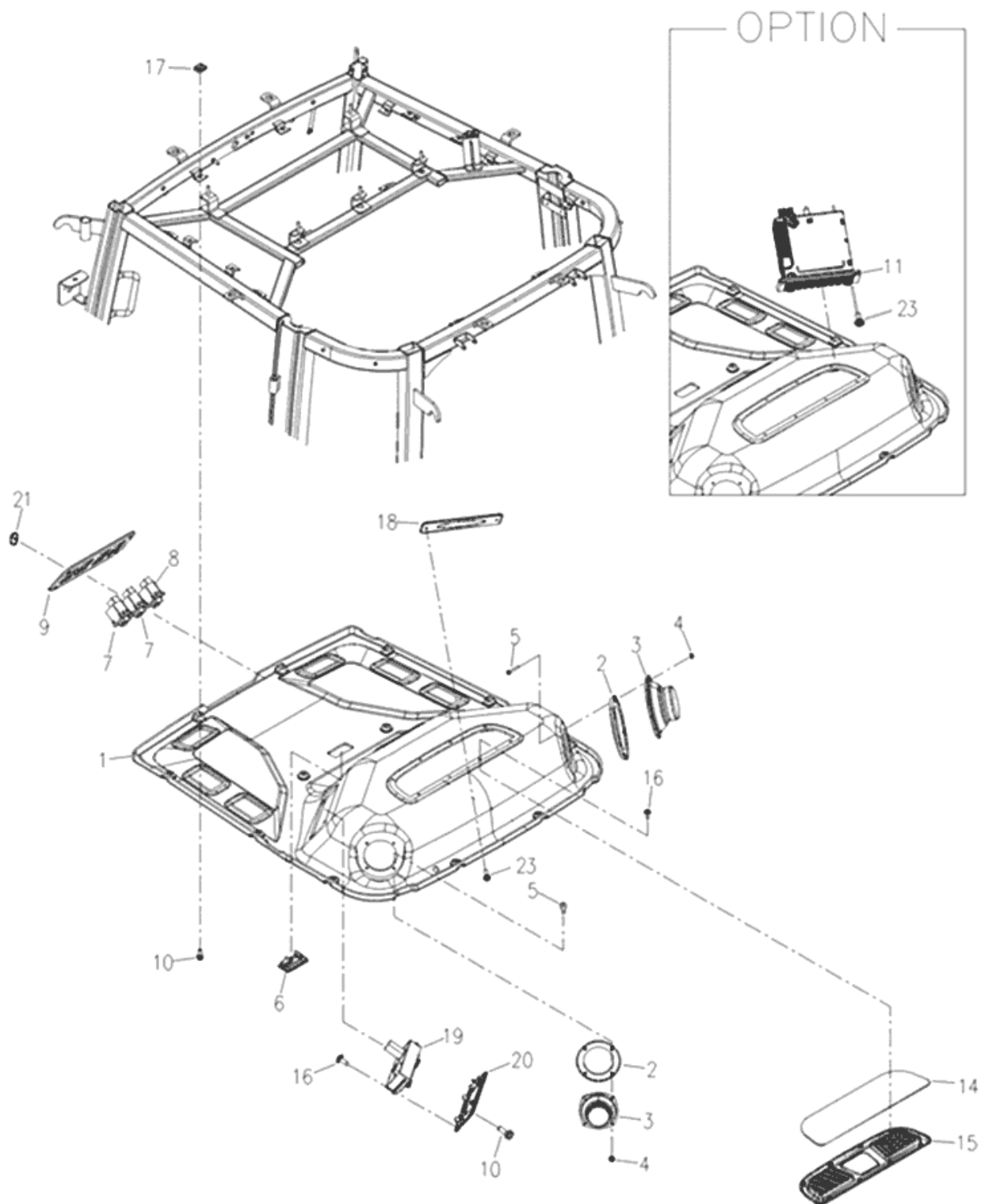
FIG

Branson 6225Ch(EU)  
\_EN(AC01282)

CEILING ASS'Y(2016.07)

Year/Month

2021-01







FIG

Branson 6225Ch(EU)  
\_EN(AC01282)

COMPRESSOR

Year/Month

2021-01

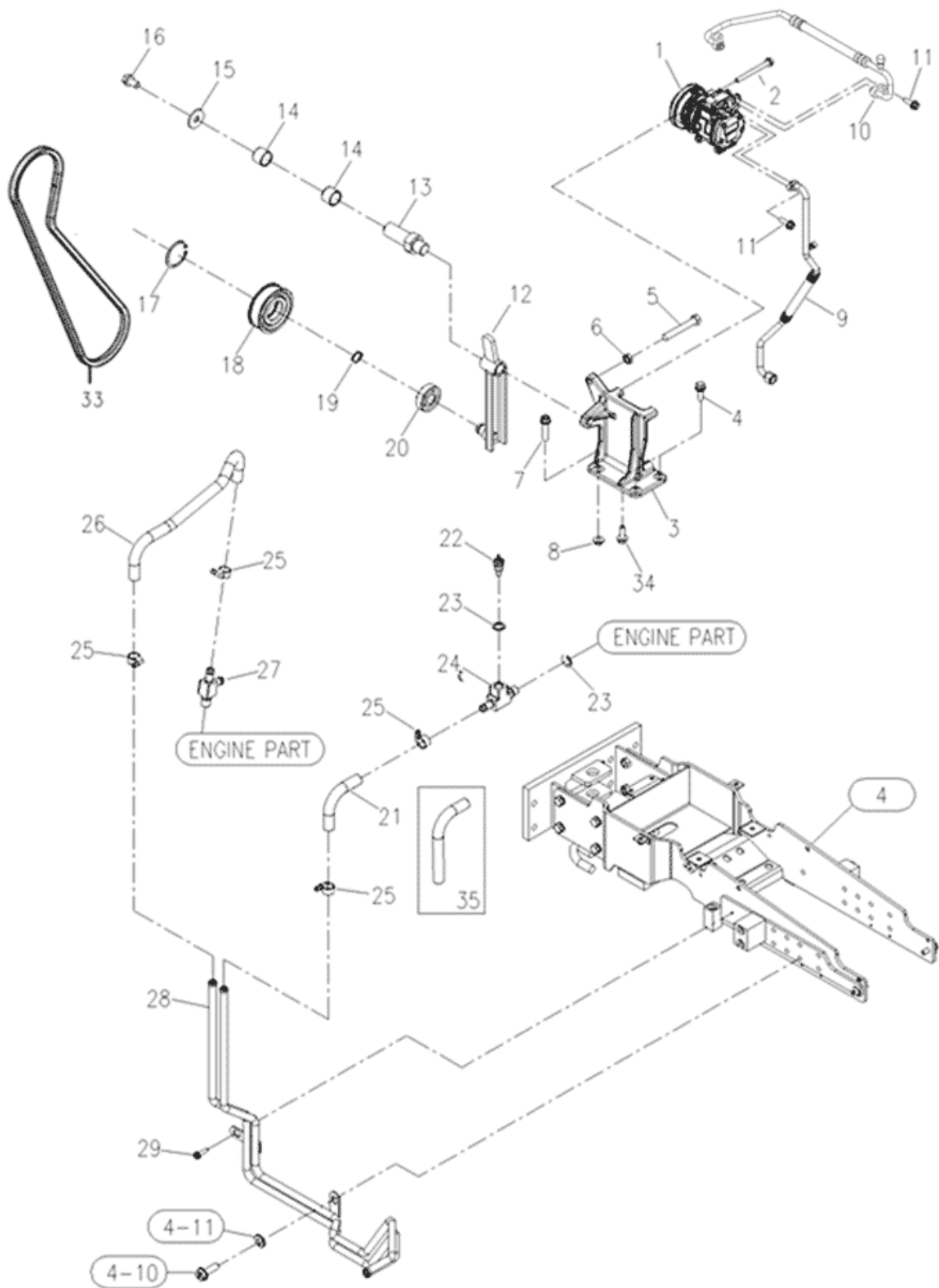
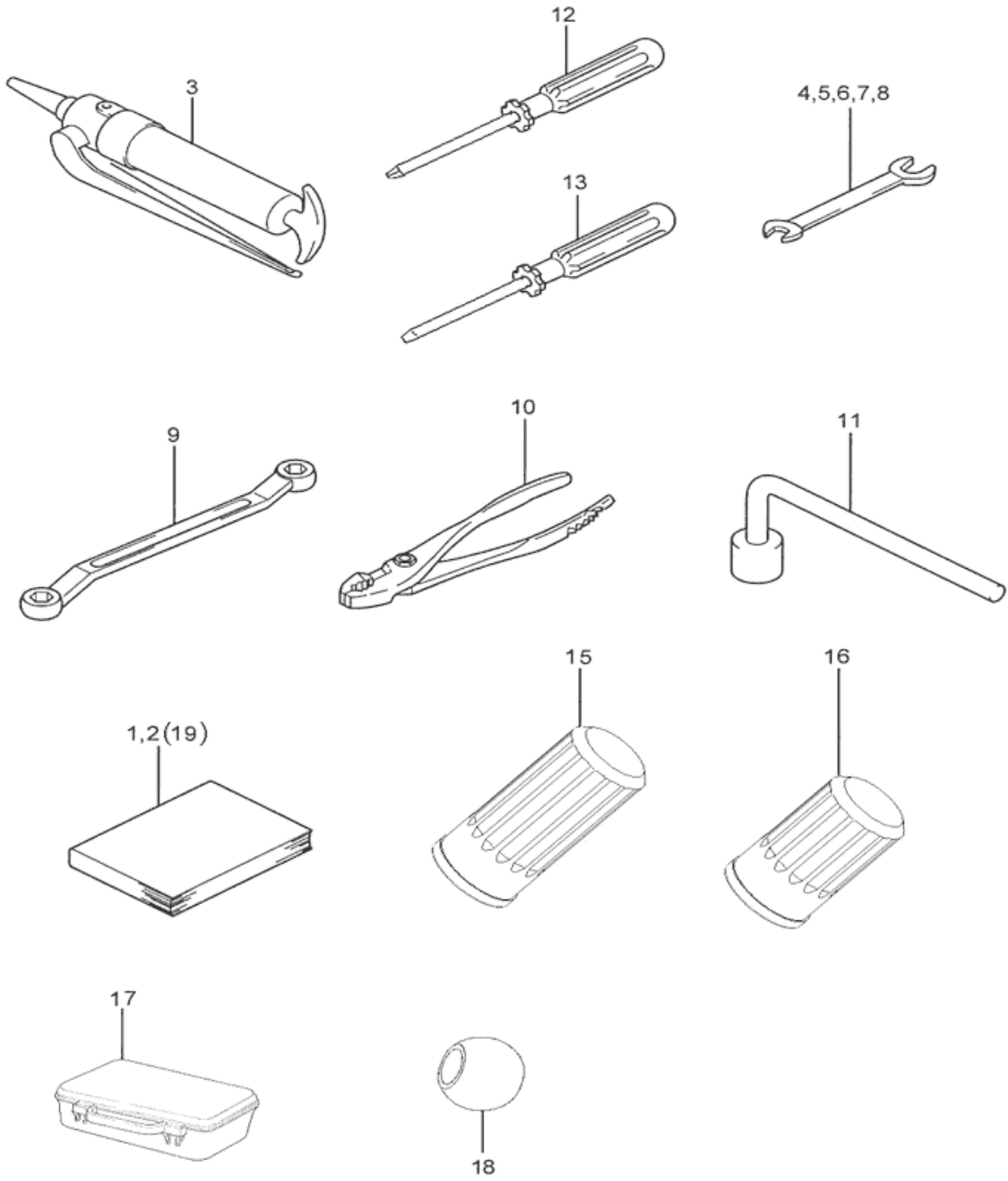


FIG		COMPRESSOR			Year/Month
Branson 6225Ch(EU) _EN(AC01282)					2021-01
KeyNo.	Part Number	Description	Quantity	Other	
1	TA00019843A	COMPRESSOR	1		
2	26106-080852	SCREW,HEXFLANGEHEADCAP	4		
3	TA00025553A	BRACKET COMPRESSOR	1		
4	26106-100252	SCREW,HEXFLANGEHEADCAP	2		
5	TA00049314A	TENSION BOLT, COMPRESSOR	1	201707	
5.10	TA00022828A	STOPPER BOLT	1	delete	
5.10	TA00022828B	STOPPER BOLT	1		
6	26777-120002	NUT	1		
7	26106-100552	BOLT	1		
8	26367-100002	NUT,HEXAGONFLANGE	1		
9	TA00025611A	LOW PRESSURE HOSE B	1		
10	TA00036485B	CONDENSER HOSE	1		
10	TA00036485C	CONDENSER HOSE	1		
11	26106-080252	SCREW,HEXFLANGEHEADCAP	2		
12	TA00034850B	TENSION ARM	1		
12	TA00034850B	TENSION ARM	1		
12	TA00034850C	TENSION ARM	1		
13	TA00021764A	SHAFT,TENSION	1		
13	TA00021764B	SHAFT	1		
14	24550-018150	DRY BUSH	2		
15	22157-080000	WASHER, PLAIN (Φ 08)	1		
16	26013-080162	Bolt, Hexa (8-16)	1		
17	22252-000520	RING, CIRCLIP (Φ 52)	1		
18	TA00023184A	TENSION PULLEY	1		
18	TA00023184B	IDLER	1		
19	22242-000200	SNAP RING, SHAFT (Φ 20)	1		
20	24104-063044	BALLBEARING	1		
21	TA00025598C	HEATER HOSE A	0		
21	TA00025598B	HEATER HOSE A	0		
21	TA00025598C	HEATER HOSE A	0		
22	HH12190000A3	WATER TEMP SENSOR	1		
23	23414-160000	WASHER,SEALING	2		
24	TA00025596A	T-JOINT	1		
25	23000-022000	CLAMP,HOSE	4		
26	TA00025597A	HEATER HOSE B	1		
27	FLW5110000A	T JOINT	1		
27	FLW5110000B3	T-JOINT	1		
28	TA00037544C	HEATER PIPE ASS'Y	1		
28	TA00037544B	HEATER PIPE ASS'Y	1		
28	TA00037544C	HEATER PIPE ASS'Y	1		
28	TA00037544D	HEATER PIPE ASS'Y	1		
29	26015-060162	BOLT	1		
33	TTL5280000B9	VBELT(A56)	1		
33	TTL5280000C9	V BELT	1		
34	26106-100452	HEX FLANGE BOLT	1		

<p>FIG Branson 6225Ch(EU) _EN(AC01282)</p>	<p>SPARE TOOLS</p>	<p>Year/Month 2021-01</p>
--	--------------------	-------------------------------





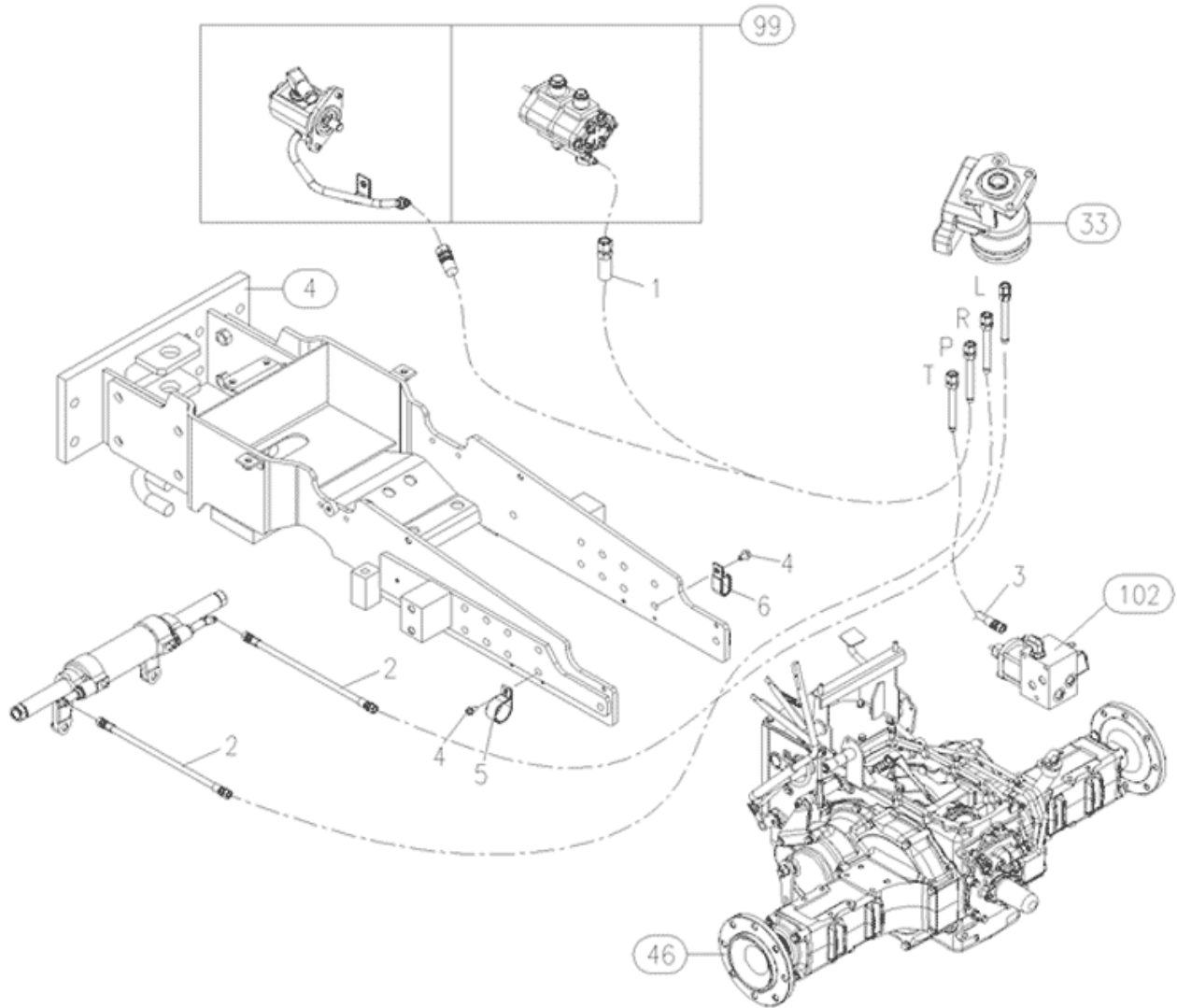
FIG

Branson 6225Ch(EU)  
\_EN(AC01282)

P.S.T HOSE

Year/Month

2021-01





FIG

Branson 6225Ch(EU)  
\_EN(AC01282)

### HYD SHIFT TRANSMISSION GEAR

Year/Month

2021-01

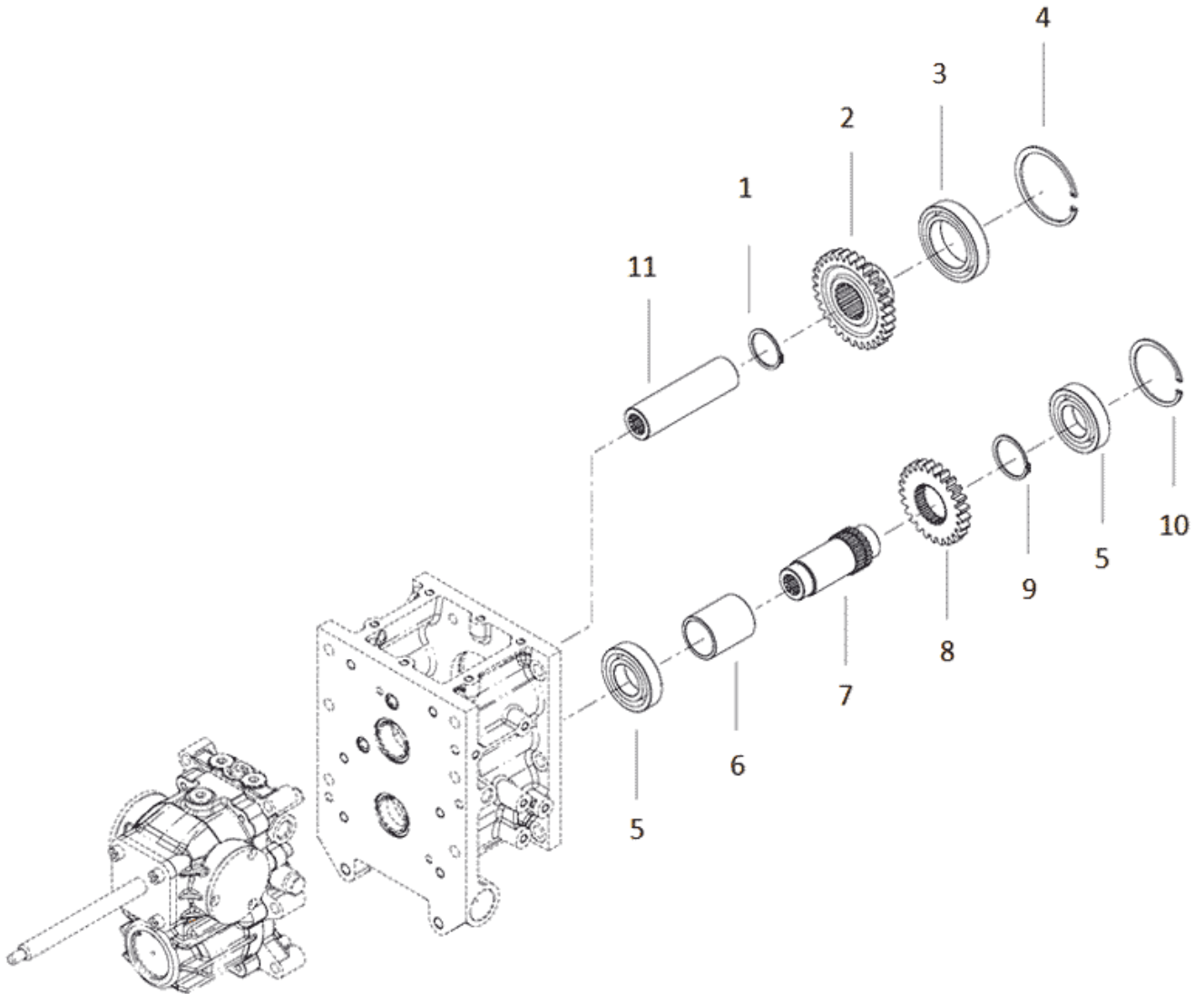
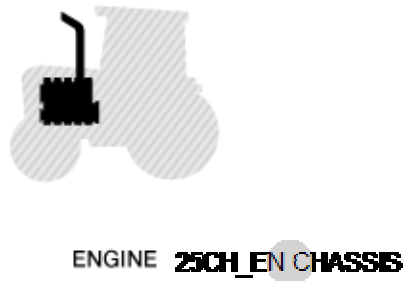
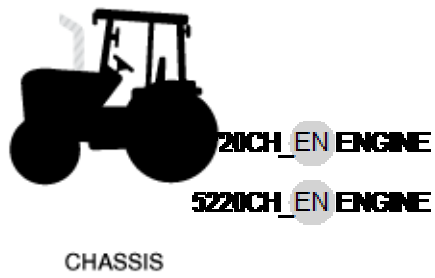






FIG Branson 6225Ch(EU) _EN(AC01282)	20CH_EN	Year/Month 2021-01
---	---------	-----------------------





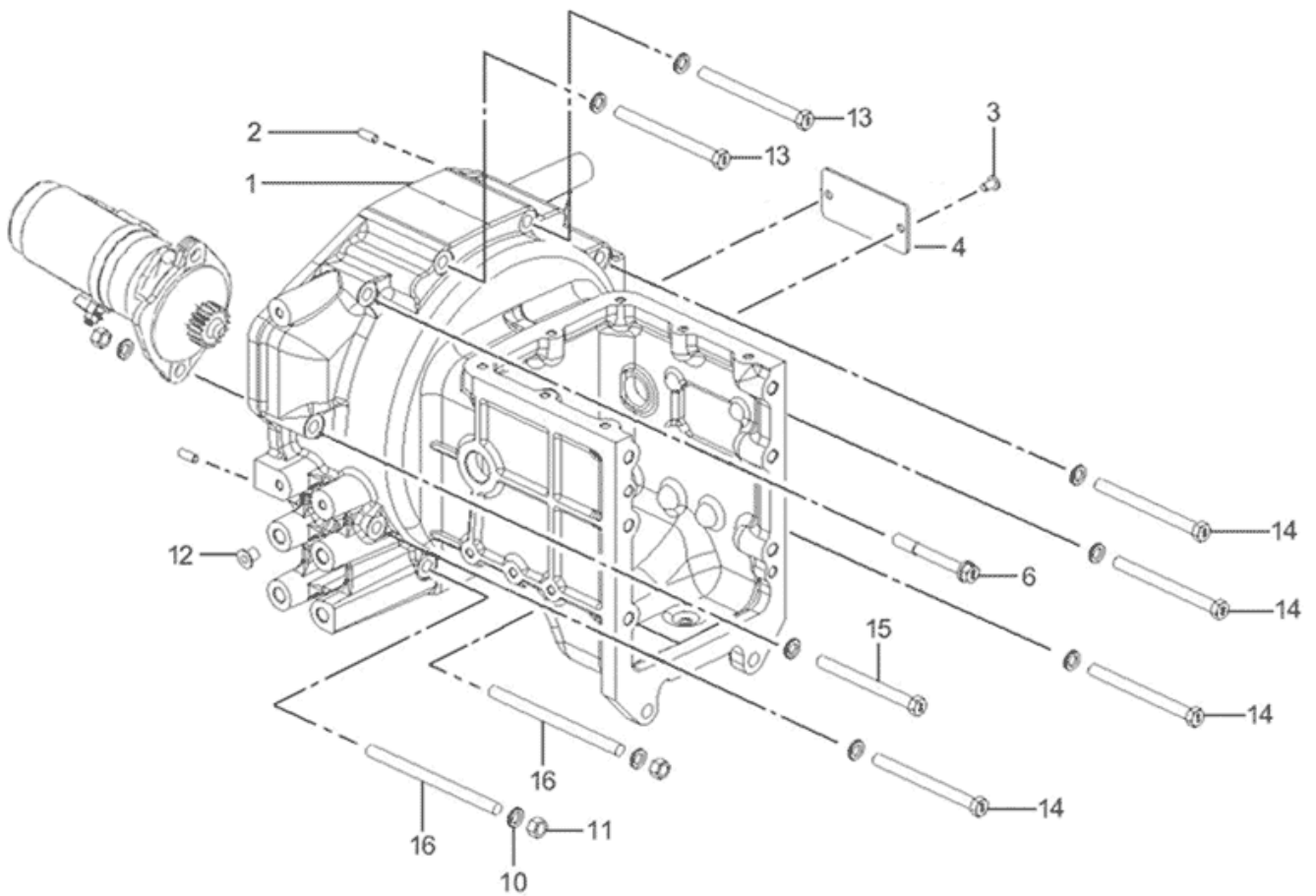
FIG

Branson 6225Ch(EU)  
\_EN(AC01282)

FLY WHEEL HOUSING

Year/Month

2021-01





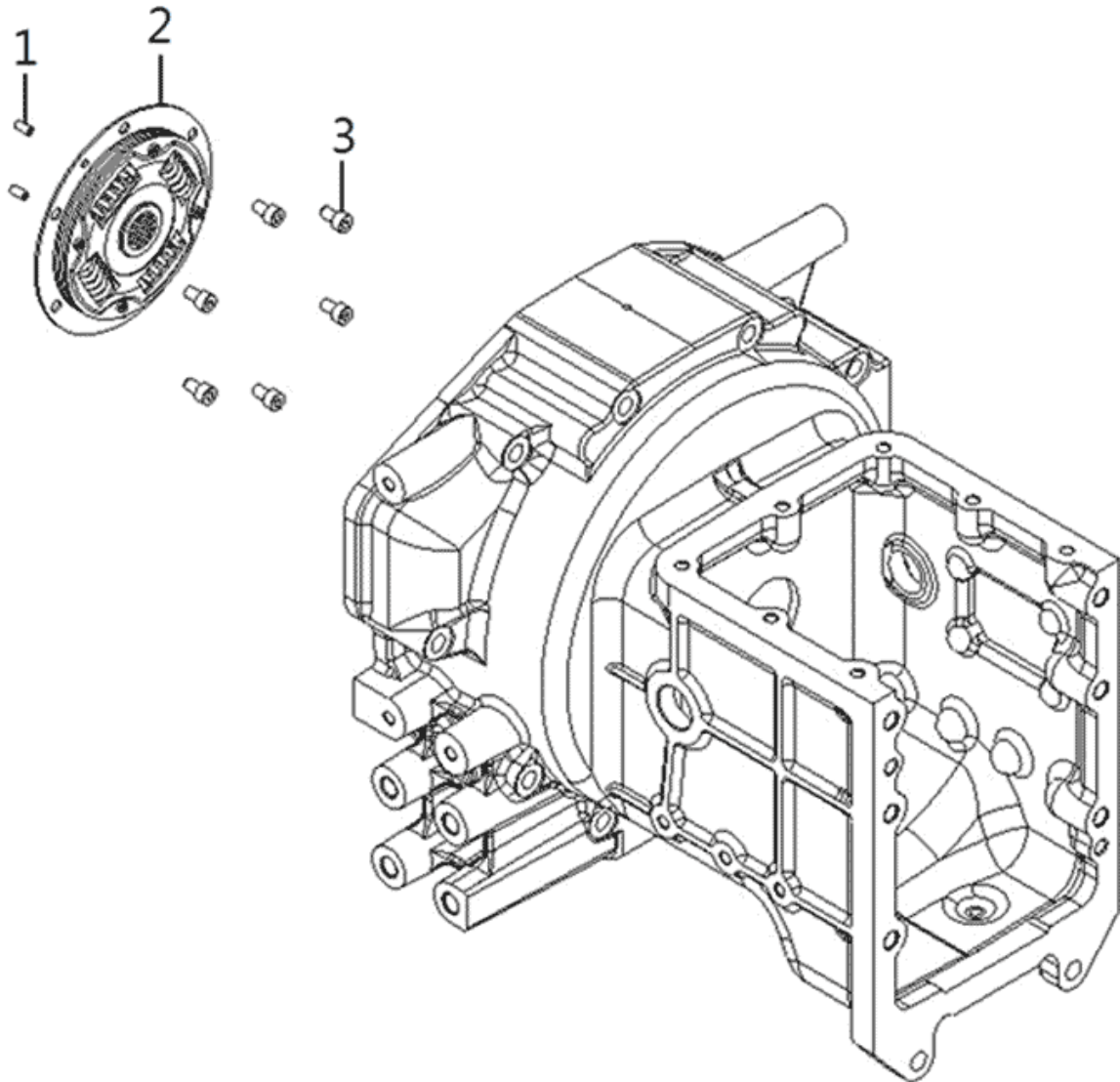
FIG

Branson 6225Ch(EU)  
\_EN(AC01282)

# PTO DAMPER

Year/Month

2021-01





FIG

Branson 6225Ch(EU)  
\_EN(AC01282)

# HYD SHIFT TRANSMISSION HOUSING

Year/Month

2021-01

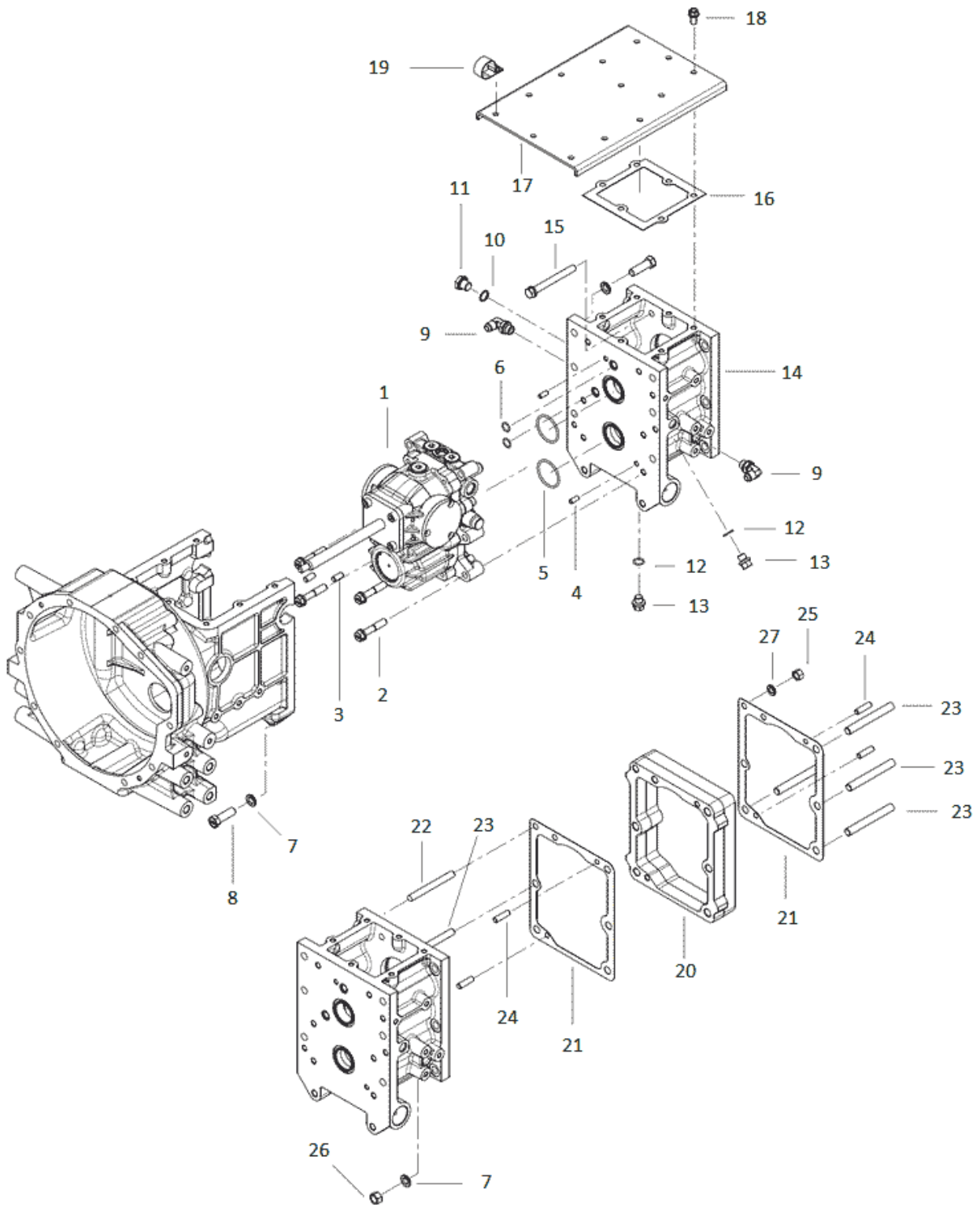




FIG		HYD SHIFT TRANSMISSION HOUSING			Year/Month
Branson 6225Ch(EU) _EN(AC01282)					2021-01
KeyNo.	Part Number	Description	Quantity	Other	
1	TA00044921A	40CC_HST	1		
1	TA00044921B	40CC_HST	1		
2	TA00000957A	HEX BOLT, W/WASHER	4		
2	TA00000957B	HEX BOLT, W/WASHER	4		
3	22312-100200	PIN, DOWEL (10-20)	2		
4	22312-080180	PIN, DOWEL (8-18)	2		
5	24311-000500	O-RING, DYNAMIC (Φ50)	2		
6	24311-000150	O-RING, DYNAMIC (Φ15)	2		
7	22217-140000	WASHER, SPRING (Φ 14)	13		
8	FT08090000A4	BOLT (M14X45)	8		
8	FT08090000B4	BOLT	8		
9	CEE4050000A4	ELBOW (3/8)	2		
9	CEE4050000B4	ELBOW(3/8)	2		
10	TTA1140000A4	PACKING	1		
11	TTA1130000A4	PLUG	1		
12	24311-000160	O-RING, DYNAMIC (Φ16)	2		
13	23491-140002	PLUG, DRAIN -> 23490-140002	2		
14	TA00000503F	HOUSING CASE	1		
14	TA00000503B	HOUSING CASE	1		
14	TA00000503C	HOUSING CASE	1		
14	TA00000503D	HOUSING CASE	1		
14	TA00000503E	HOUSING CASE	1		
14	TA00000503F	HOUSING CASE	1		
14	TA00000503G	HOUSING CASE	1		
14	TA00000503H	HOUSING CASE	1		
14	TA00000503I	HOUSING CASE	1		
15	26013-121102	BOLT12X110	1		
16	TA00001058B	PACKING	1		
16	TA00001058B	PACKING	1		
17	TA00001059A	COVER	1		
18	26106-100202	HEX BOLT, (10-20)	10		
19	TA00003081A	CLIP	1		
19	TA00003081B	CLIP	1		
20	NT36200000B3	SPACER,MISSIONCASE	1		
20	NT36200000C3	SPACER	1		
20	NT36200000D3	SPACER	1		
21	TZ41440000A4	PACKING	2		
21	TZ41440000B4	PACKING	2		
22	26216-120952	BOLT	1		
23	26216-140952	STUD BOLT	5		
24	NT41430000A4	PARALLEL PIN	4		
25	26716-120002	BOLT,CYLINDER HEAD(B)	1		
26	26716-140002	NUT	5		
27	22217-120000	WASHER, SPRING (Φ 12)	1		

FIG

Branson 6225Ch(EU)  
\_EN(AC01282)

# HYD SHIFT TRANSMISSION PEDAL

Year/Month

2021-01

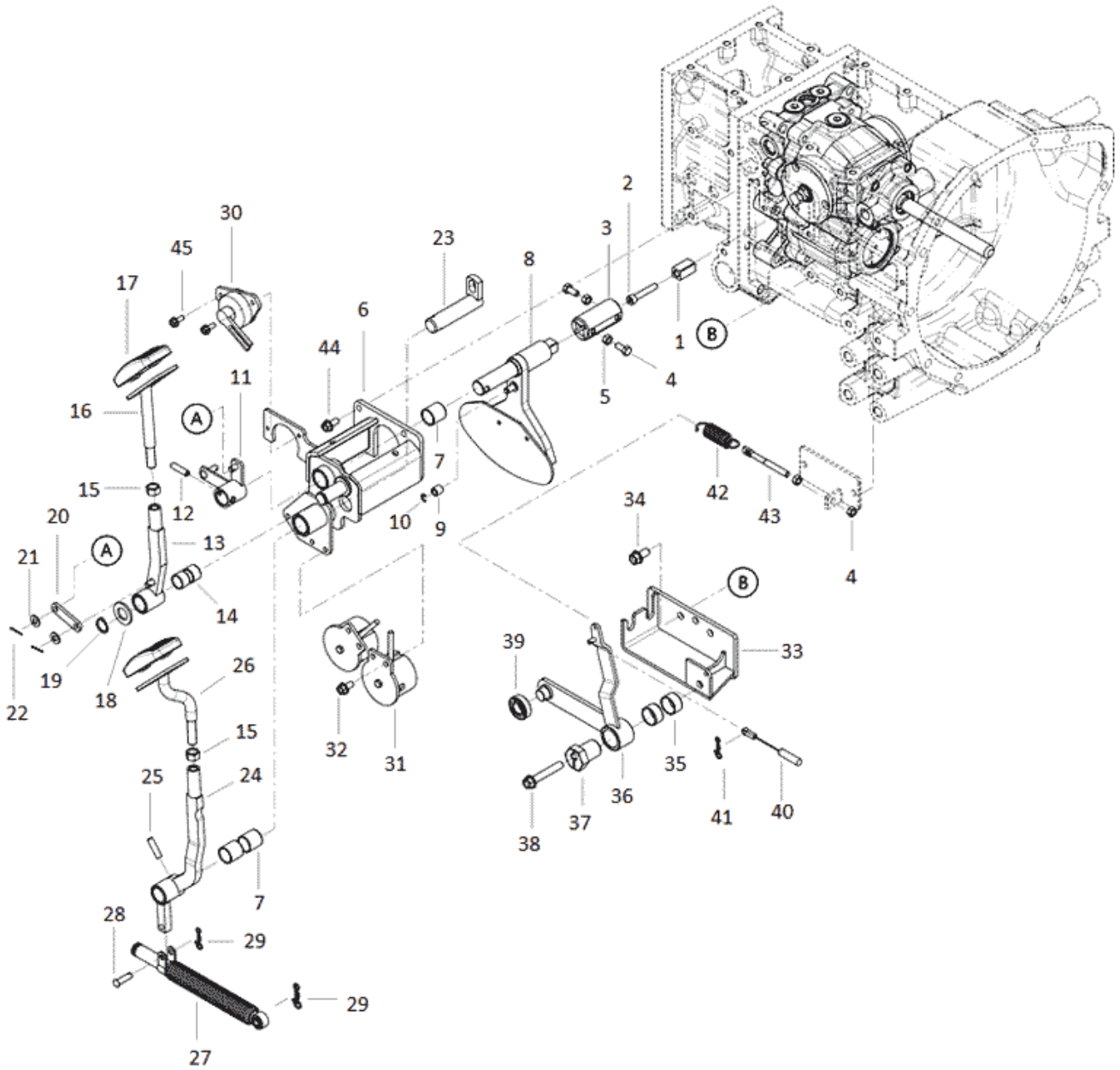


FIG		HYD SHIFT TRANSMISSION PEDAL			Year/Month
Branson 6225Ch(EU) _EN(AC01282)					2021-01
KeyNo.	Part Number	Description	Quantity	Other	
1	TA00040896B	HST SHAFT	1		
1	TA00040896B	HST SHAFT	1		
1	TA00040896C	HST SHAFT	1		
1	TA00040896D	HST SHAFT	1		
2	26453-080452	BOLT	1		
3	TA00039621A	JOINT(CABIN)	1		
3	TA00039621B	JOINT	1		
4	26116-080182	CAPSCREW(19M7139)	2		
5	26716-080002	NUT,HEX (D8)	4		
6	TA00044797A	BRACKET ASSY, HST PEDAL	1		
6	TA00044797B	BRACKET ASSY, HST PEDAL	1		
7	24550-022250	BUSH	3		
8	TA00044792A	PEDAL ASSY, FRONT	1		
8	TA00044792B	PEDAL ASSY, FRONT	1		
8	TA00044792C	PEDAL ASSY, FRONT	1		
9	TA00033126A	ROLLER	1		
10	22272-000060	RING, CIRCLIP (Φ 06)	1		
11	TA00044804A	SAHFT	1		
12	22351-080030	PIN, SPRING (8-30)	1		
13	TA00044802A	PEDAL ASS'Y(F)	1		
14	24550-019150	BUSH	2		
15	26716-120002	BOLT,CYLINDER HEAD(B)	2		
16	TA00039030A	PEDAL ASS'Y	1		
17	TA00001508A	PEDAL COVER	2		
18	22137-180000	WASHER, PLAIN (Φ 18)	1		
19	22242-000190	SNAP RING, SHAFT (Φ 19)	1		
20	TA00040409B	PLATE	1		
20	TA00040409B	PLATE	1		
21	22137-080000	WASHER, PLAIN (Φ 08)	2		
22	22417-160180	PIN , COTTER (1-18)	2		
23	TA00044834A	SHAFT ASSY	1		
24	TA00044806A	PEDAL ASS'Y(R)	1		
24	TA00044806B	PEDAL ASS'Y(R)	1		
25	22351-080030	PIN, SPRING (8-30)	1		
26	TA00039029A	PEDAL ASS'Y	1		
27	RA00007052A	OIL DAMPER(HANIL)	1		
28	22486-080240	HEAD PIN	1		
29	RR51230000C	SNAP PIN	2		
29	RR51230000B4	SNAP PIN	2		
29	RR51230000C4	PIN 10, COME-OFF SNAP	2		
29	RR51230000D4	PIN 10, COME-OFF SNAP	2		
30	TCD9110000B2	SWITCH ASS'Y	1		
31	HA00000037A	CRUISE MAGNET	2		
32	26106-080162	SCREW,HEXFLANGEHEADCAP	4		
33	TA00044862A	BRACKET ASSY	1		



FIG

Branson 6225Ch(EU)  
\_EN(AC01282)

FRONT DRIVE&RANGE SHIFT LEVER

Year/Month

2021-01

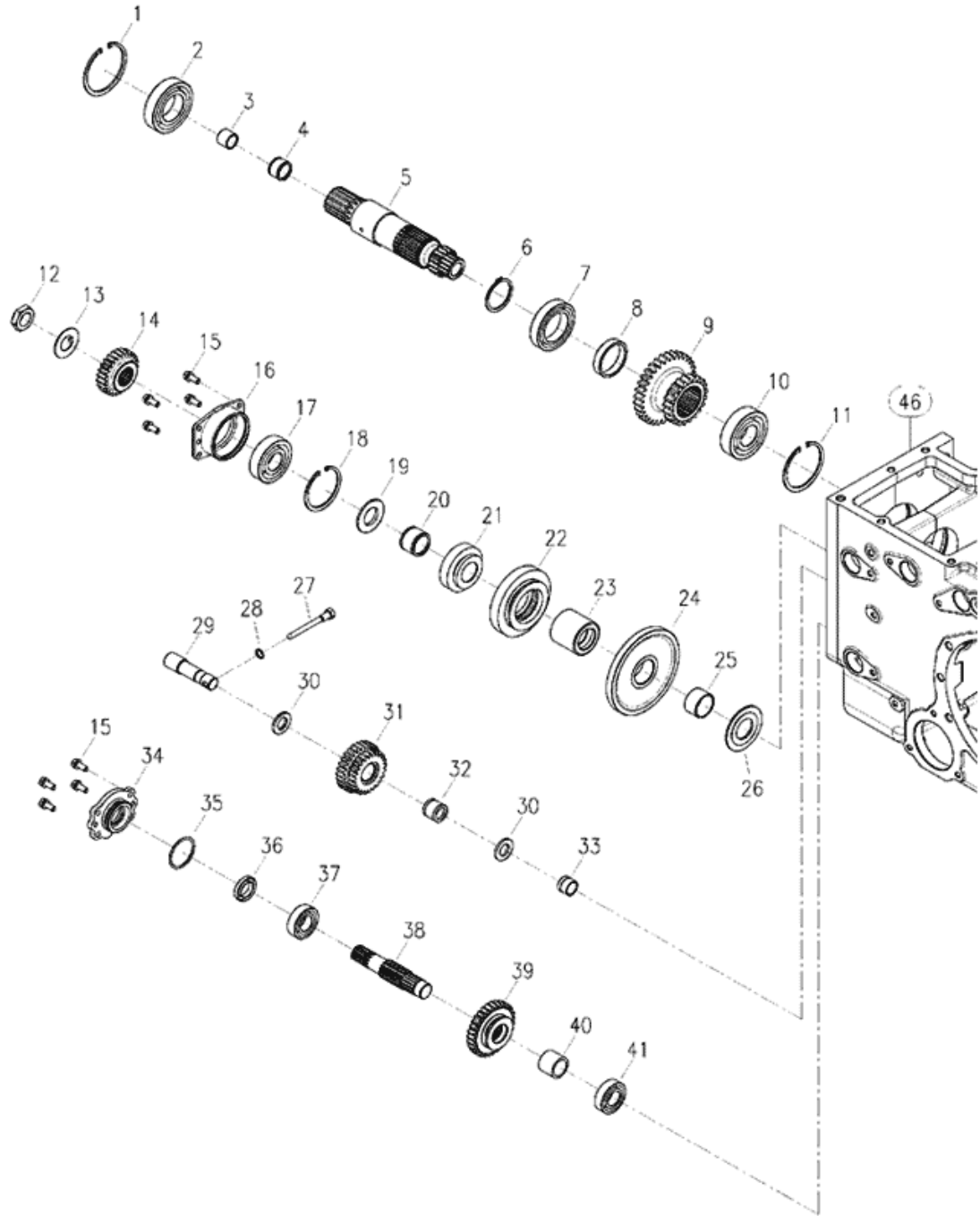


FIG		FRONT DRIVE&RANGE SHIFT LEVER			Year/Month
Branson 6225Ch(EU) _EN(AC01282)					2021-01
KeyNo.	Part Number	Description	Quantity	Other	
1	22242-000500	SNAP RING, SHAFT (Φ50)	1		
2	24101-062094	BALL BEARING (#6209)	1		
3	TN45180000A4	BUSH,BEARING	1		
4	24161-253020	Bearing, Neddle (#25-30-20)	1		
5	TN43040000A3	GEAR16RANGESHIFT	1		
6	22242-000500	SNAP RING, SHAFT (Φ50)	1		
7	24101-060104	Bearing, Ball (#6010)	1		
8	TN43060000A4	COLLAR	1		
9	TA00031461A	GEAR2ND3RDRANGESHIFT	1		
9	TA00031461B	GEAR 2ND-3RD, RANGE SHIFT	1		
10	24101-063074	Bearing, Ball (#6307)	1		
11	22252-000800	RING, CIRCLIP (Φ 80)	1		
12	TN43110000A4	LOCKNUT	1		
12	TN43110000B4	LOCKNUT	1		
13	TT57020000A4	WASHER	1		
14	TN43130000A3	GEAR25FRONTDRIVE	1		
15	26013-080202	Bolt, Hexa (8-20)	8		
16	TN43150000A3	CASEBEARING	1		
17	24101-063064	Bearing, Ball (#6306)	1		
18	22252-000720	RING, CIRCLIP (Φ 72)	1		
19	TN43190000A4	THRUSTWASHER	1		
20	24161-323827	Bearing, Neddle (#32-38-27)	1		
21	TA00031460A	GEAR16,RANGE SHIFT 3RD	1		
22	TN43220000B3	GEAR 30T,RANGE SHIFT 2ND	1		
22	TN43220000C3	2ND GEAR, RANGE SHIFT(30T)	1		
23	TN43230000B3	CALLAR	1		
23	TN43230000C3	SPLINE COLLAR	1		
23	TN43230000D3	CALLAR	1		
24	TN43240000B3	GEAR 56T,SUB SHIFT 1ST	1		
25	TT57080000A4	BUSH	1		
25	TT57080000B4	BUSH	1		
26	TT57100000B4	WASHER,THRUST	1		
27	TN43330000A4	BOLT	1		
27	TN43330000B4	BOLT	1		
28	23414-100000	PLAIN WASHER (D10)	1		
29	TN43260000A4	SHAFT, FRONT DRIVE IDLE	1		
29	TN43260000B4	SHAFTFRONTDRIVEIDLE	1		
30	TN43270000A4	THRUSTWASHER	2		
31	TN43290000A3	GEARFRONTDRUVEIDLE	1		
32	24161-202825	NEEDLE BEARIN (#20-28-25)	1		
33	TN43300000A4	COLLAR	1		
34	TN43350000A3	CASEOILSEAL	1		
34	TN43350000B3	CASEOILSEAL	1		
35	TN43360000A4	O-RING	2		
36	24421-254008	Seal, Oil (#25-40-08)	1		



FIG

Branson 6225Ch(EU)  
\_EN(AC01282)

FRONT DRIVE & RANGE SHIFT LEVER

Year/Month

2021-01

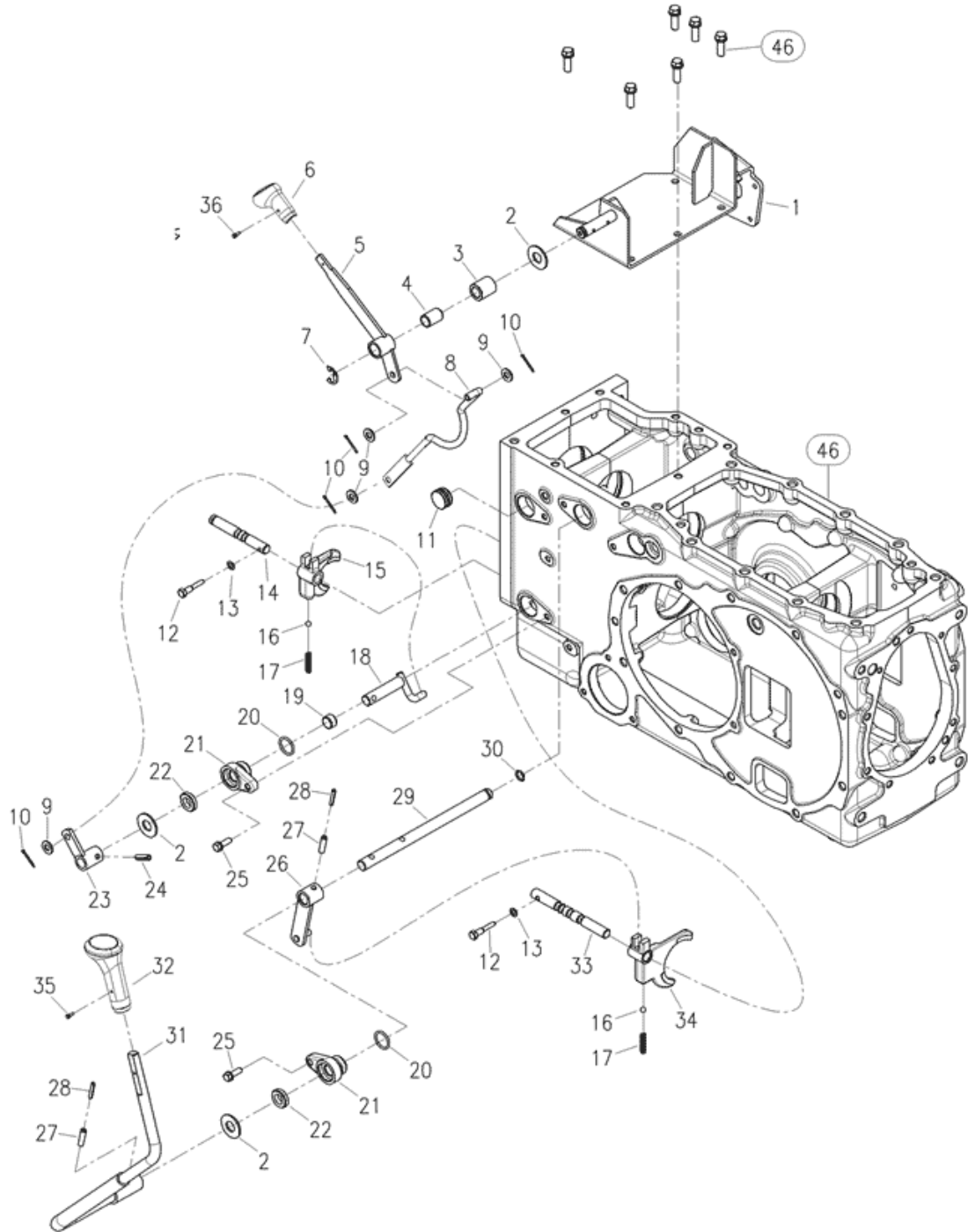




FIG		FRONT DRIVE & RANGE SHIFT LEVER			Year/Month
Branson 6225Ch(EU) _EN(AC01282)					2021-01
KeyNo.	Part Number	Description	Quantity	Other	
1	TA00027503B	ASSY CHAIR RAIL STAY	1		
1	TA00027503B	ASSY CHAIR RAIL STAY	1		
1	TA00027503C	ASSY CHAIR RAIL STAY	1		
1	TA00027503D	ASSY CHAIR RAIL STAY	1		
1	TA00027503E	ASSY CHAIR RAIL STAY	1		
2	TT65120000A4	COLLARB	3		
3	TZ44080000A4	BOSSCREEPER	1		
4	TT70080000A4	BUSH	1		
5	NT44100000B3	Lever, Front Drive	1		
5	NT44100000B3	Lever, Front Drive	1		
6	TA00062657A	LEVER, FRONT DRIVE KNOB	1	202009~	
6.10	TA00015827A	KNOB, FRONT DRIVE LEVER	1	deleted/삭제	
6.20	TA00056015A	LEVER, FRONT DRIVE	1	201904~	
7	22272-000150	RING, CIRCLIP (Φ 15)	1		
8	TA00036164A	LEVER ASSY	1		
8	TA00036164B	LEVER ASSY	1		
9	22137-100000	WASHER, PLAIN (Φ 10)	4		
10	22417-250250	PIN , COTTER (2-25)	4		
11	TZ44610000A4	PLUG	1		
12	TN44400000A4	BOLT	2		
12	TN44400000B4	BOLT	2		
13	23414-080000	WASHER, PLAIN (Φ8)	2		
14	TN44230000A3	SHAFTFRONTDRIVEFORK	1		
15	TN44220000A3	FORKFRONTDRIVE	1		
15	TN44220000B3	FORKFRONTDRIVE	1		
16	24190-100001	Ball, Steel (5/16)	2		
17	TT42020000A4	SPRING	1		
18	TN44380000A4	LEVERASSYF.DRIVE	1		
19	TT70090000A4	BUSH	1		
20	24321-000250	O-RING	3		
21	TN44300000A4	Holder, Shift Arm	2		
22	24421-173007	Seal, Oil (#17-30-07)	2		
23	TA00036167A	LEVER ASSY	1		
24	22351-080030	PIN, SPRING (8-30)	1		
25	26013-080252	Bolt, Hexa (8-25)	2		
26	TN44440000D4	LEVERASSY(B),RANGESHIFT	1		
27	22351-080030	PIN, SPRING (8-30)	2		
28	22351-050030	PIN, SPRING (5-03)	2		
29	TN44520000B3	SHAFT,RANGESHIFTLEVER	1		
30	TN46180000A4	O-RING	1		
31	TA00028280A	LEVER RANGE SHIFT	1		
32	TA00062665A	KNOB	1	202009~	
32.10	TA00016324B	KNOB, RANGE SHIFT	1	deleted/삭제	
32.10	TA00016324B	KNOB, RANGE SHIFT	1		
32.20	TA00058723A	KNOB	1	201904~	



FIG

Branson 6225Ch(EU)  
\_EN(AC01282)

GEAR,IND PTO SPEED CHANGE

Year/Month

2021-01

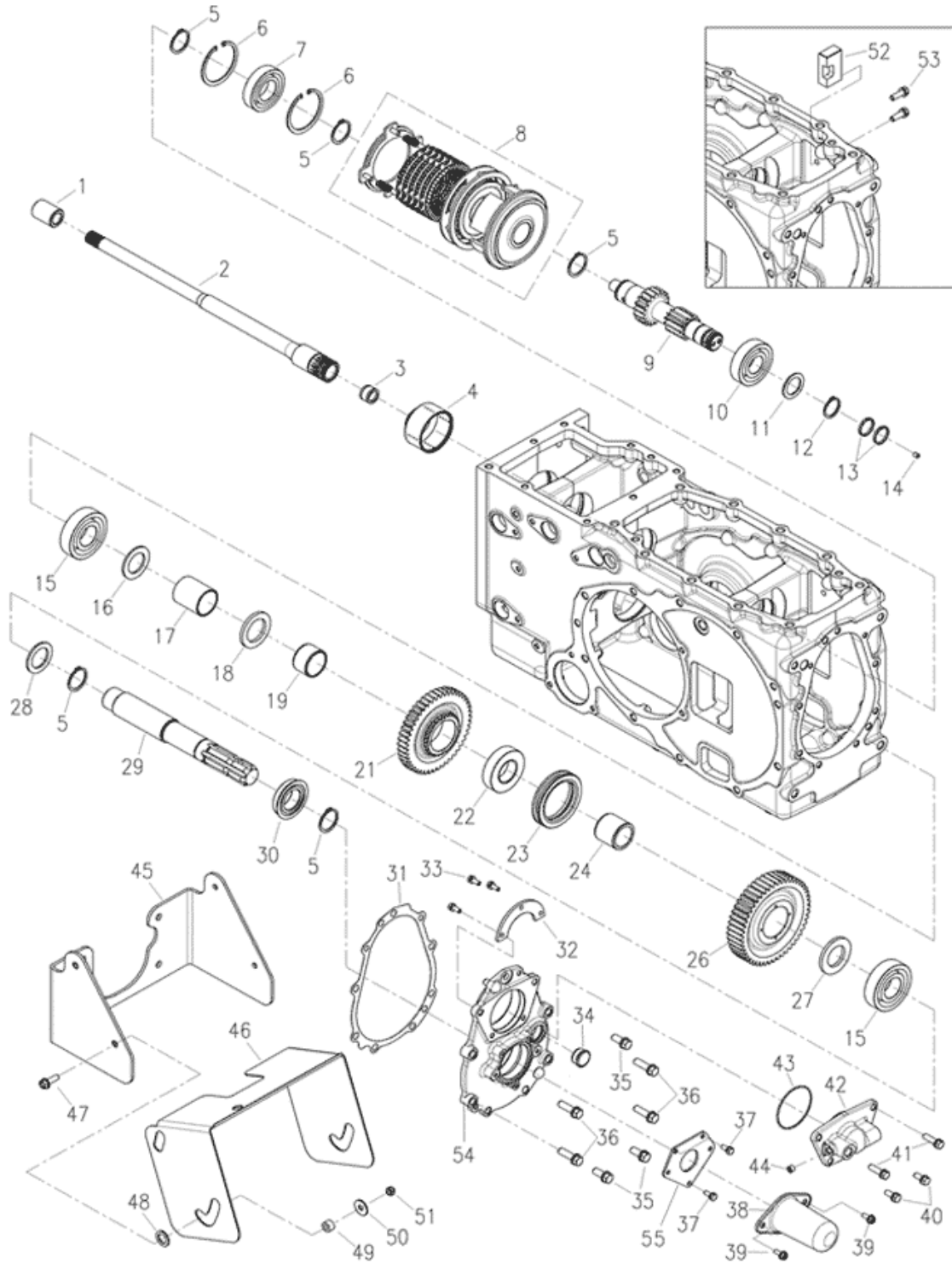


FIG		GEAR,IND PTO SPEED CHANGE			Year/Month
Branson 6225Ch(EU) _EN(AC01282)					2021-01
KeyNo.	Part Number	Description	Quantity	Other	
1	TN4520000A4	JOINT	1		
2	TA00015848A	PTO SHAFT(HST)	1		
3	24161-182417	Bearing, Needle (#18-24-17)	1		
4	NT45480000A3	PTO COUPLING	1		
5	22242-000350	SNAP RING, SHAFT (Φ 35)	5		
6	22252-000720	RING, CIRCLIP (Φ 72)	2		
7	24101-062074	BALL BEARING (#6207)	1		
8	TA00026514B	PTO CLUTCH PACK	1		
8	TA00026514B	PTO CLUTCH PACK	1		
8	TA00026514C	PTO CLUTCH PACK	1		
8	TA00026514D	PTO CLUTCH PACK	1		
9	NT45920000A2	SHAFT, PTO SHIFT	1	201605	
10	24101-063064	Bearing, Ball (#6306)	1		
11	TN45520000A4	COLLAR	1		
12	22242-000300	SNAP RING, SHAFT (Φ 30)	1		
13	TT64070000A4	SEAL RING	2		
13	TT64070000B4	SEAL RING	2		
14	TT64080000A4	RETAININGSCREWM7X1	1		
15	24101-063074	Bearing, Ball (#6307)	2		
16	NT45670000A4	Thrust Washer	1		
16	NT45670000B4	THRUST WASHER	1		
17	NT45680000A4	Spacer	1		
17	NT45680000B4	SPACER	1		
18	NT45440000A4	COLLAR	1		
18	NT45440000B4	COLLAR	1		
18	NT45440000C4	COLLAR	1		
19	TA00033210A	NEEDLE BUSH D	2		
21	TA00033211A	GEAR 46T, PTO	1		
21	TA00033211B	GEAR 46T, PTO	1		
21	TA00033211C	GEAR 46T, PTO	1		
22	TZ45100000A3	HUB,P.T.O	2		
22	TZ45100000B3	HUB,P.T.O	2		
23	TZ45110000B4	SLEEVE,P.T.O	2		
23	TZ45110000C4	SLEEVE,P.T.O	2		
24	TA00033209A	NEEDLE BUSH B	1		
26	TA00033212A	GEAR 49T, PTO	1		
26	TA00033212B	GEAR 49T, PTO	1		
26	TA00033212C	GEAR 49T, PTO	1		
27	TZ45140000A4	COLLAR	1		
27	TZ45140000B4	COLLAR	1		
28	TN45120000A4	WASHER	1		
29	NT45130000B3	shaft, PTO	1		
30	TT62040000A3	PTO OIL SEAL QLF35X60X19	1		
31	NT45740000A3	PACKING, PTO SHAFT HOUSING	1		
32	NT45640000A4	Bearing Cover	1		



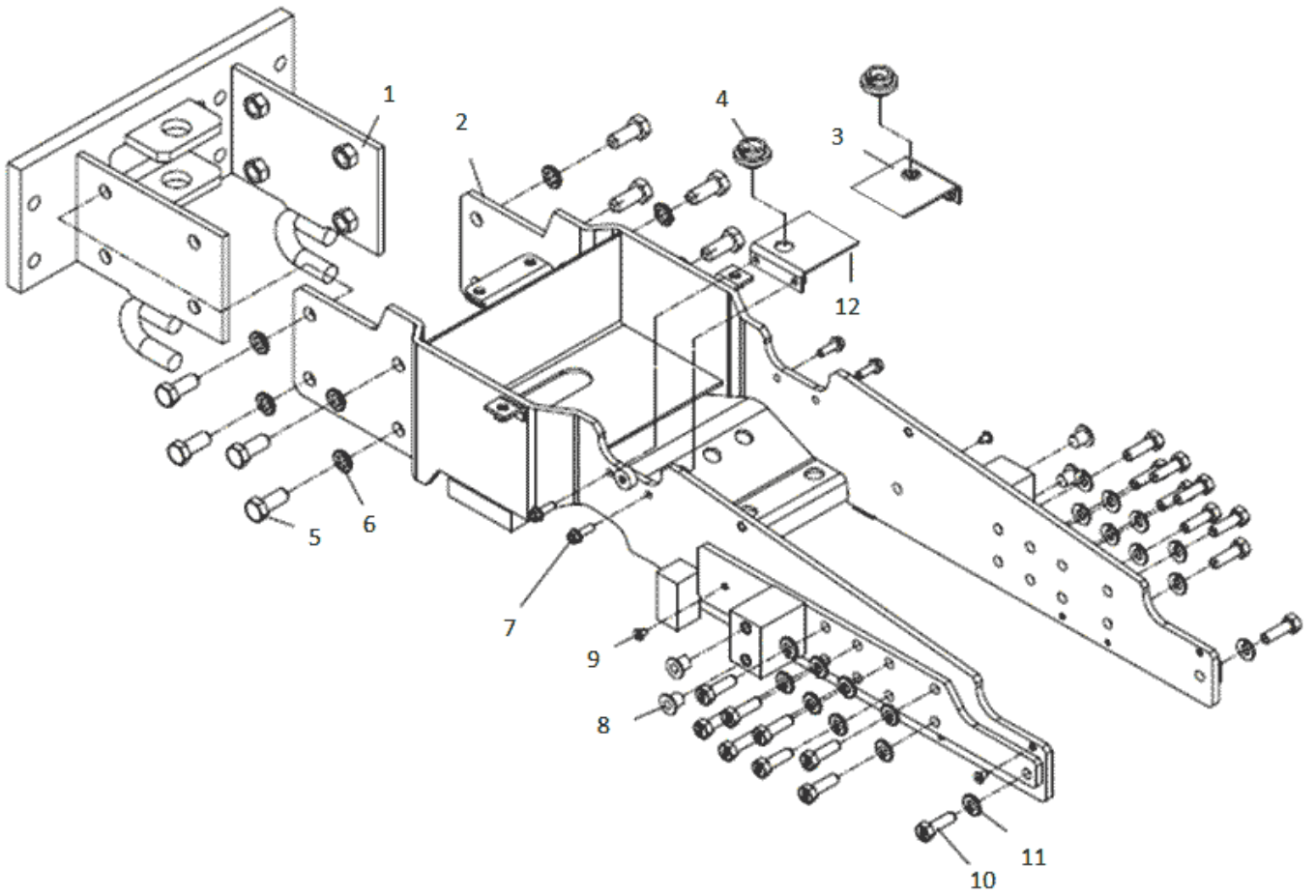
FIG

Branson 6225Ch(EU)  
\_EN(AC01282)

FRONT ALXE BRACKET

Year/Month

2021-01





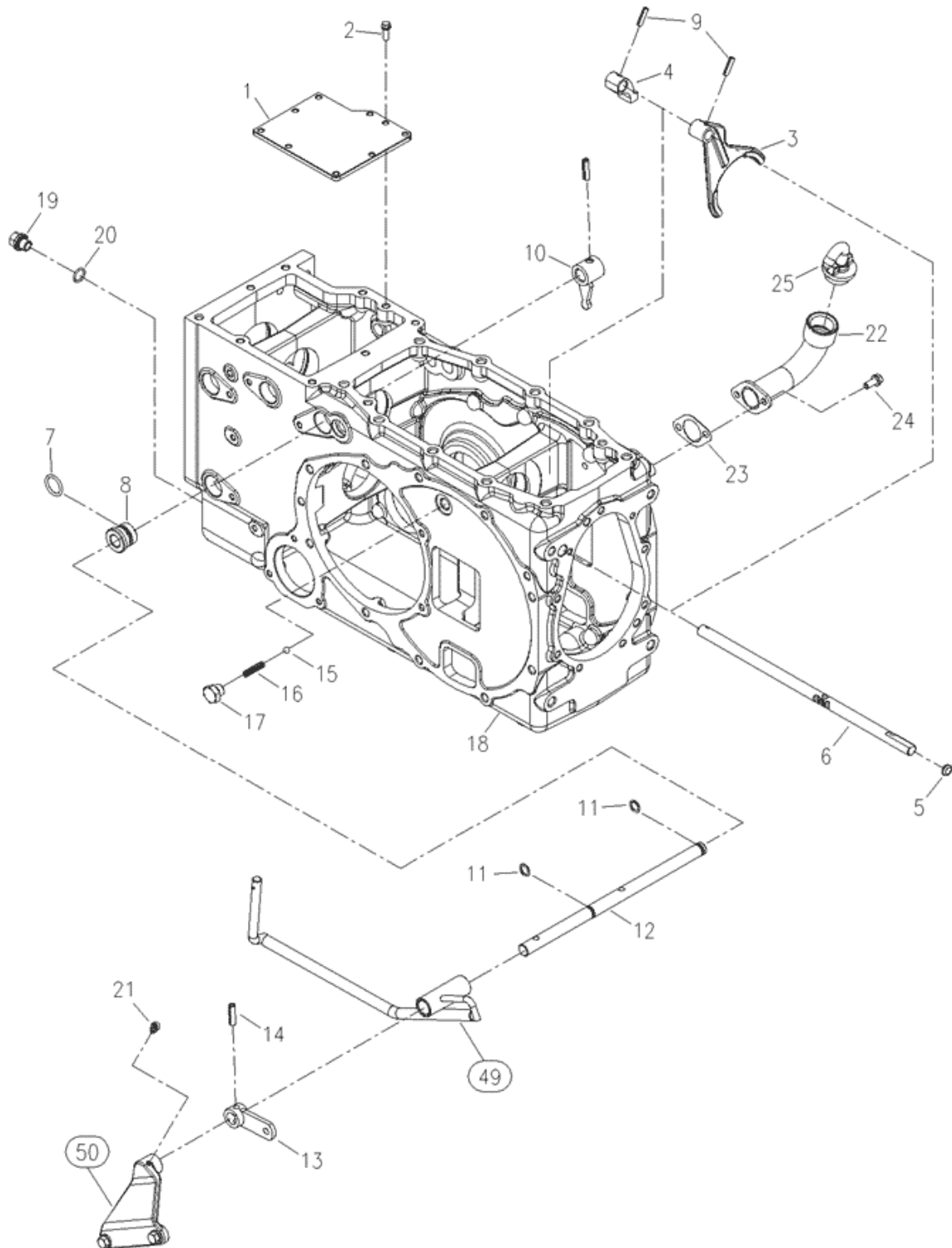
FIG

Branson 6225Ch(EU)  
\_EN(AC01282)

REAR AXLE CASE, PTO SHIFT

Year/Month

2021-01







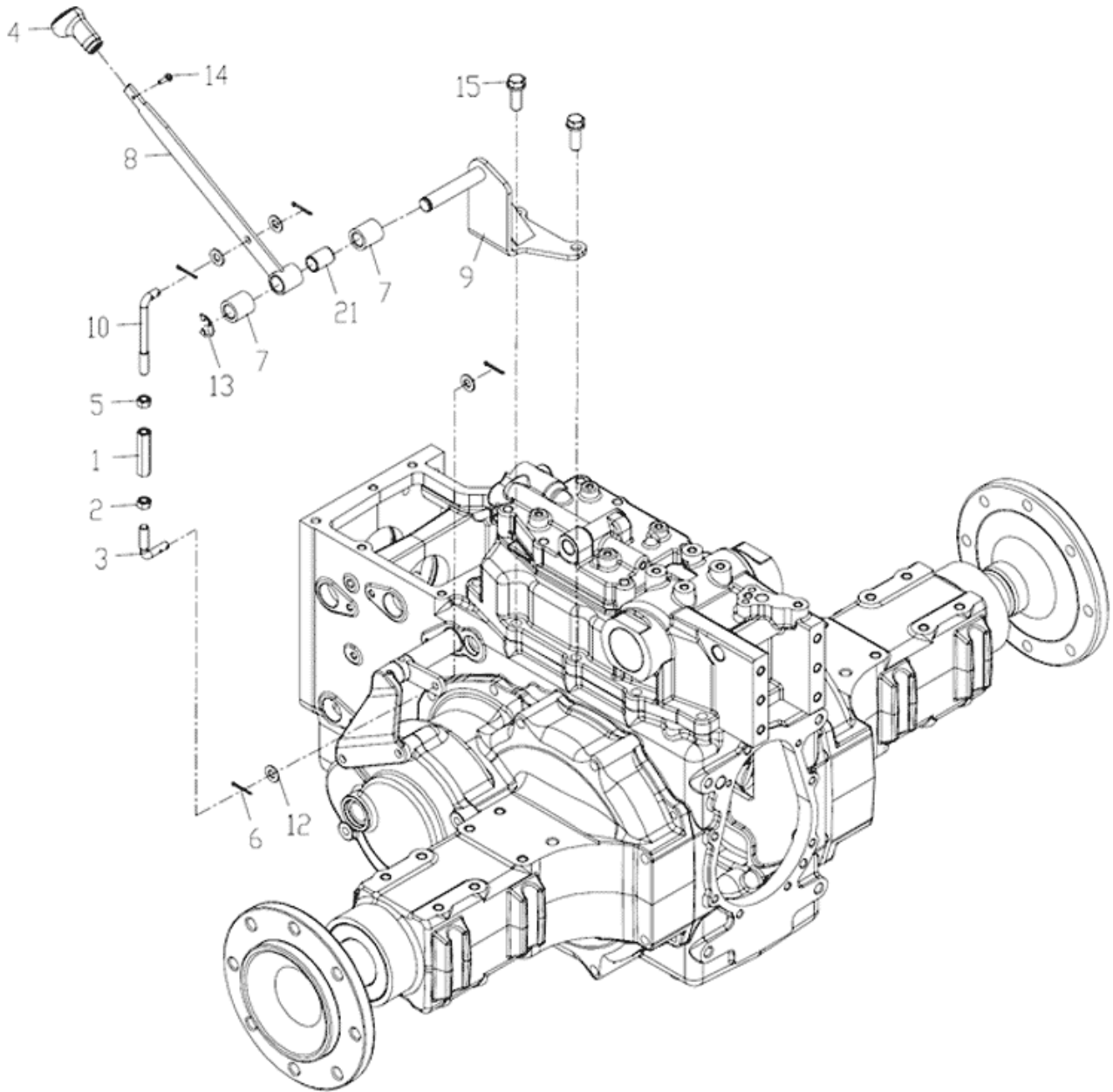
FIG

Branson 6225Ch(EU)  
\_EN(AC01282)

LEVER ASS'Y, PTO SPEED CHANGE

Year/Month

2021-01





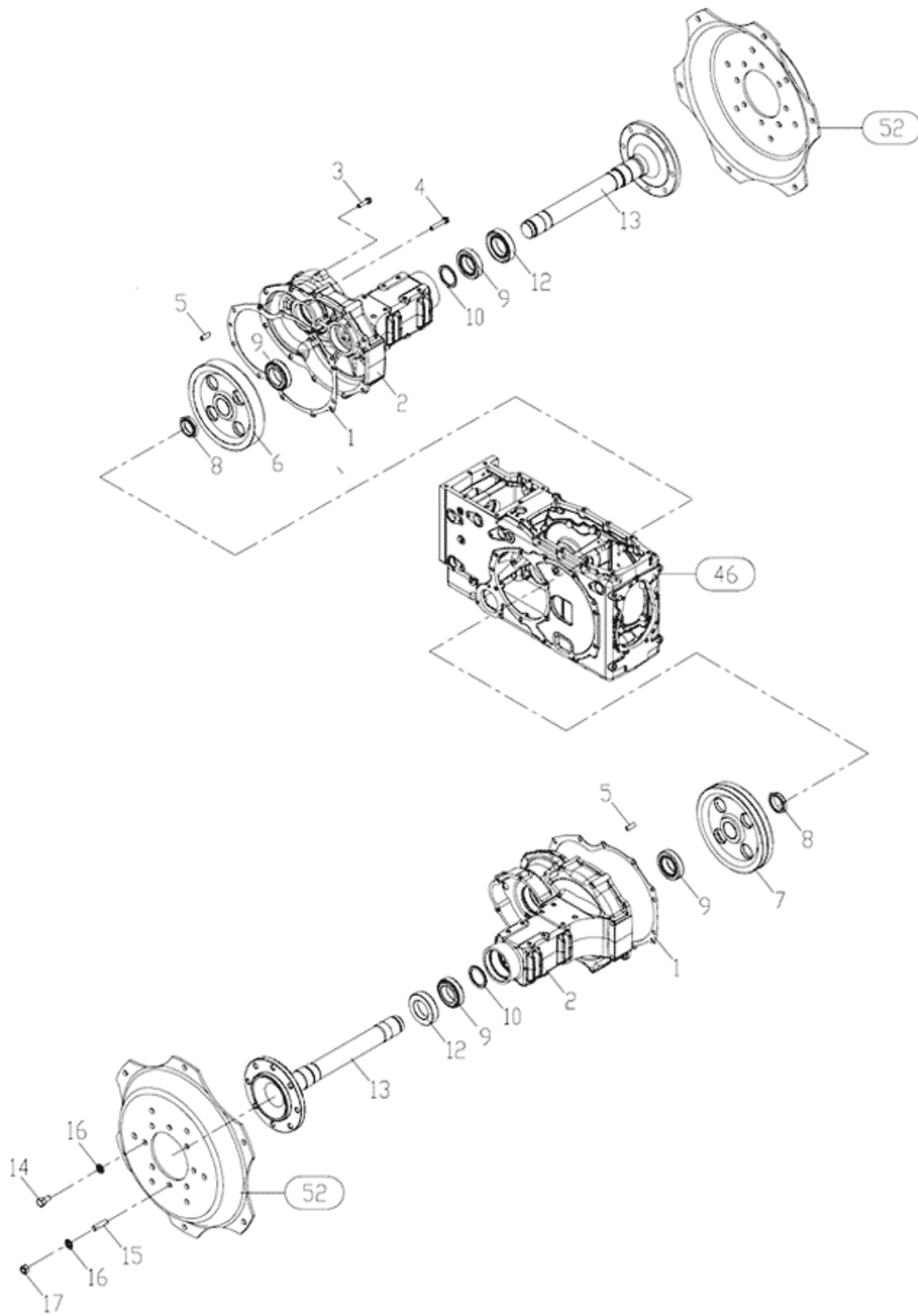
FIG

Branson 6225Ch(EU)  
\_EN(AC01282)

HOUSING, REAR AXLE

Year/Month

2021-01





FIG

Branson 6225Ch(EU)  
\_EN(AC01282)

DRIVING PART, REAR AXLE

Year/Month

2021-01

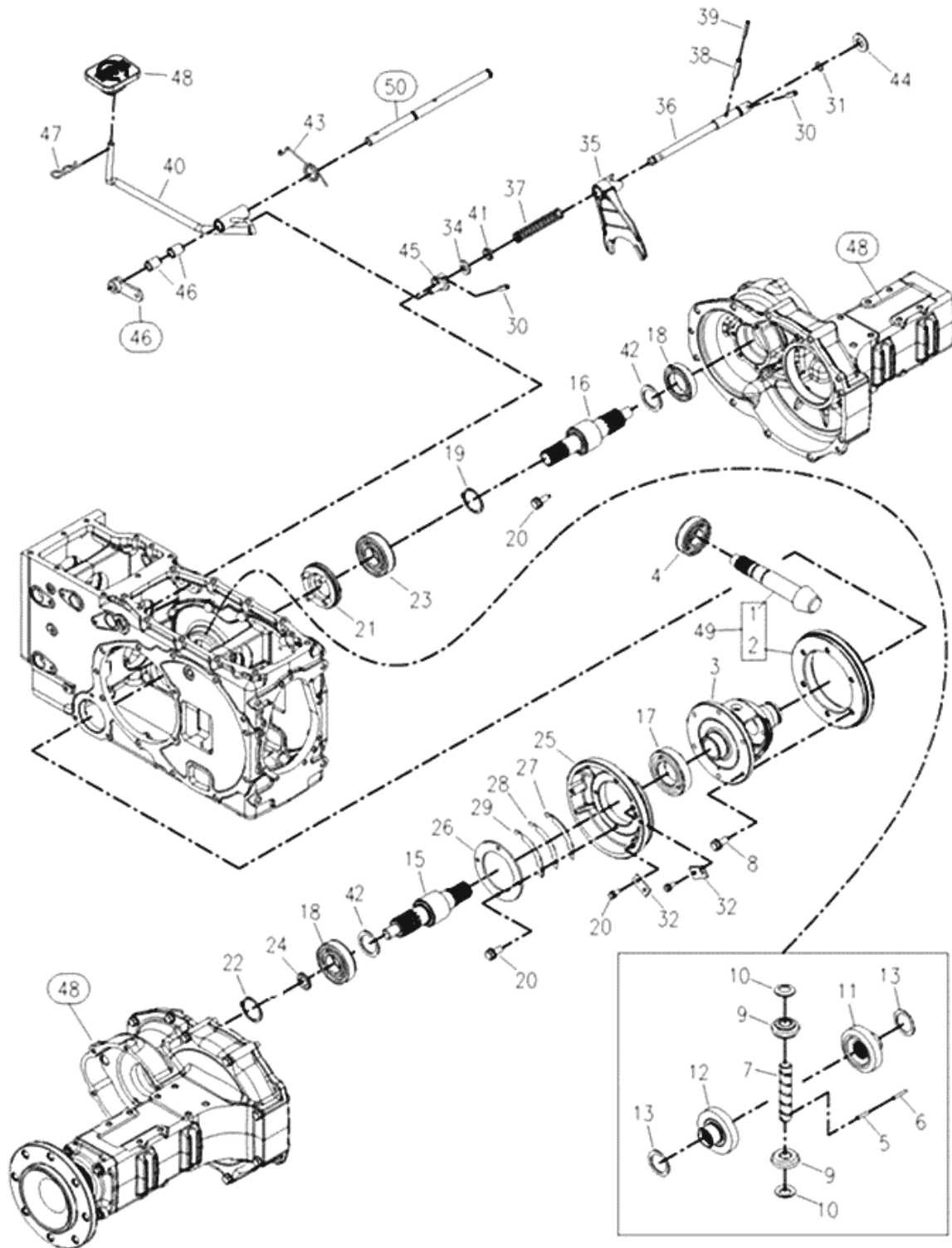


FIG		DRIVING PART, REAR AXLE			Year/Month
Branson 6225Ch(EU) _EN(AC01282)					2021-01
KeyNo.	Part Number	Description	Quantity	Other	
1	TN49510000A2	COUNTERSAHFT	1		
1	TN49510000B2	COUNTERSAHFT	1		
2	TN49520000C2	RINGGEAR	1		
2	TN49520000D2	RINGGEAR	1		
3	TN49030000D2	CASE,DIFFERENTIAL -> TA00022799A	1		
3	TN49030000E2	CASE,DIFFERENTIAL	1		
4	TT78020000A3	BEARINGNJ307R	1		
5	22312-060360	PIN, DOWEL (6-36)	1		
6	22351-060032	PIN, SPRING (6-32)	1		
7	TF64080000A4	PINIONSHAFT	1		
8	TF64090000A4	BOLT	6		
8	TF64090000B4	BOLT	6		
9	TF64100000A3	PINION	2		
9	TF64100000B3	PINION	2		
10	TF64110000A4	PINIONLINER	2		
11	TF64120000A3	DIFF.SIDEGEAR(A)	1		
12	TF64130000A3	DIFF.SIDEGEAR(B)	1		
13	TF64140000B4	SIDEGEARLINER	2		
15	TA00032603C	FINAL PINION(L)	1		
15	TA00032603B	FINAL PINION(L)	1		
15	TA00032603C	FINAL PINION(L)	1		
15	TA00032603D	FINAL PINION(L)	1		
15	TA00032603E	FINAL PINION(L)	1		
16	TA00032596C	FINAL PINION(R)	1		
16	TA00032596B	FINAL PINION(R)	1		
16	TA00032596C	FINAL PINION(R)	1		
16	TA00032596D	FINAL PINION(R)	1		
16	TA00032596E	FINAL PINION(R)	1		
17	24101-062114	Bearing, Ball (#6211)	1		
18	TF64190000A4	BALL BEARING (#6308HL1) -> TF64190000A3	2		
19	22242-000500	SNAP RING, SHAFT (Φ50)	1		
20	26013-080202	Bolt, Hexa (8-20)	4		
21	TF64250000B3	THRUST, DIFF-LOCK ASSY	1		
22	22252-000900	RING, CIRCLIP (Φ 90)	1		
23	24101-060102	BALL BEARING (#6010)	1		
24	22242-000400	SNAP RING, SHAFT (Φ 40)	1		
25	TN49550000B2	CARRIOR	1		
26	TN49590000A4	RETAINER	1		
27	TZ49560000A4	SHIMA	3		
28	TZ49570000A4	SHIMB	3		
29	TZ49580000A4	SHIMC	2		
30	22351-080032	PIN, SPRING (8-32)	2		
31	24311-000160	O-RING, DYNAMIC (Φ16)	1		
32	TB32360000A4	RETAINER	2		
34	TN49380000A4	WASHER	1		





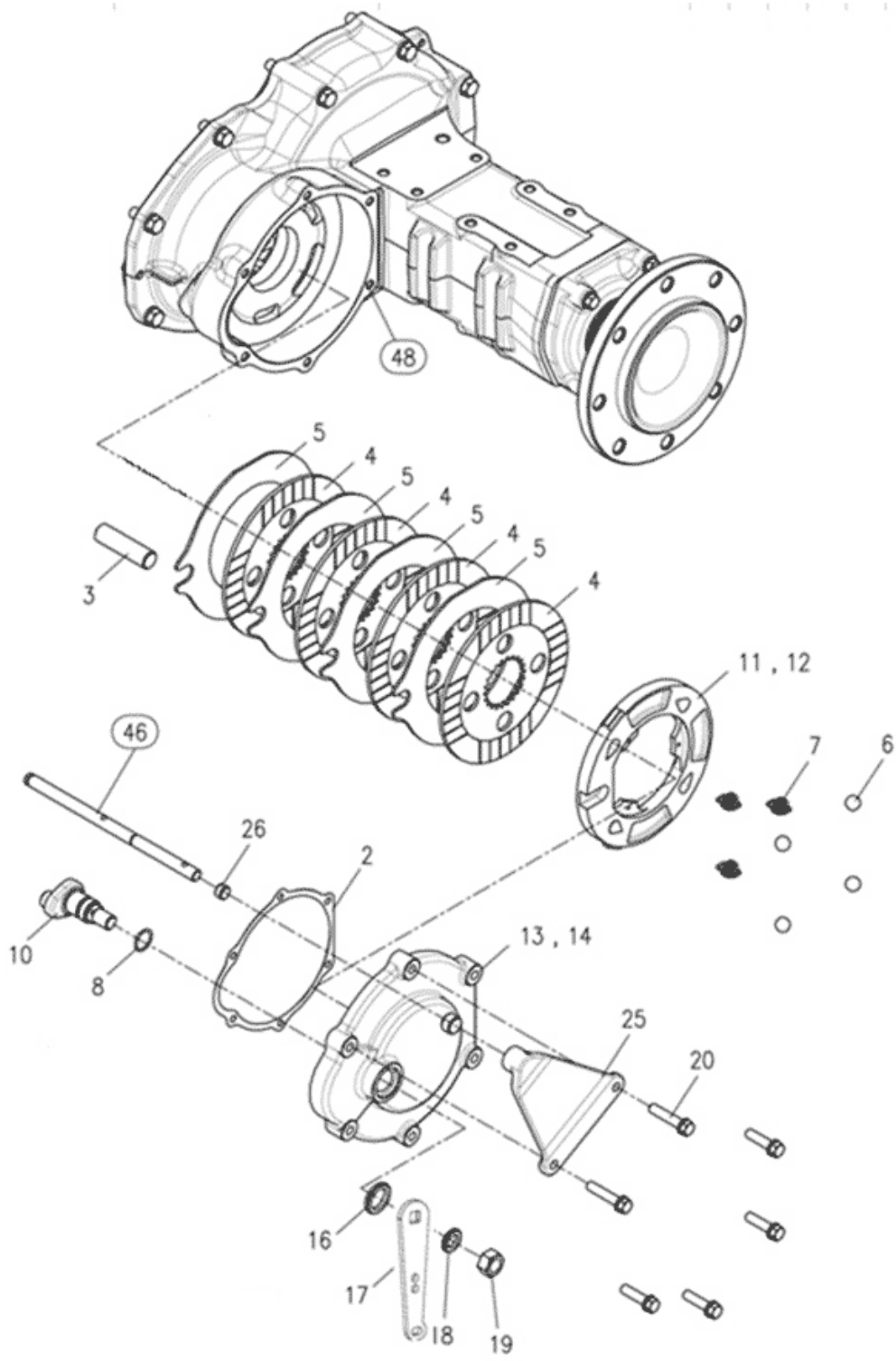
FIG

Branson 6225Ch(EU)  
\_EN(AC01282)

BRAKE

Year/Month

2021-01





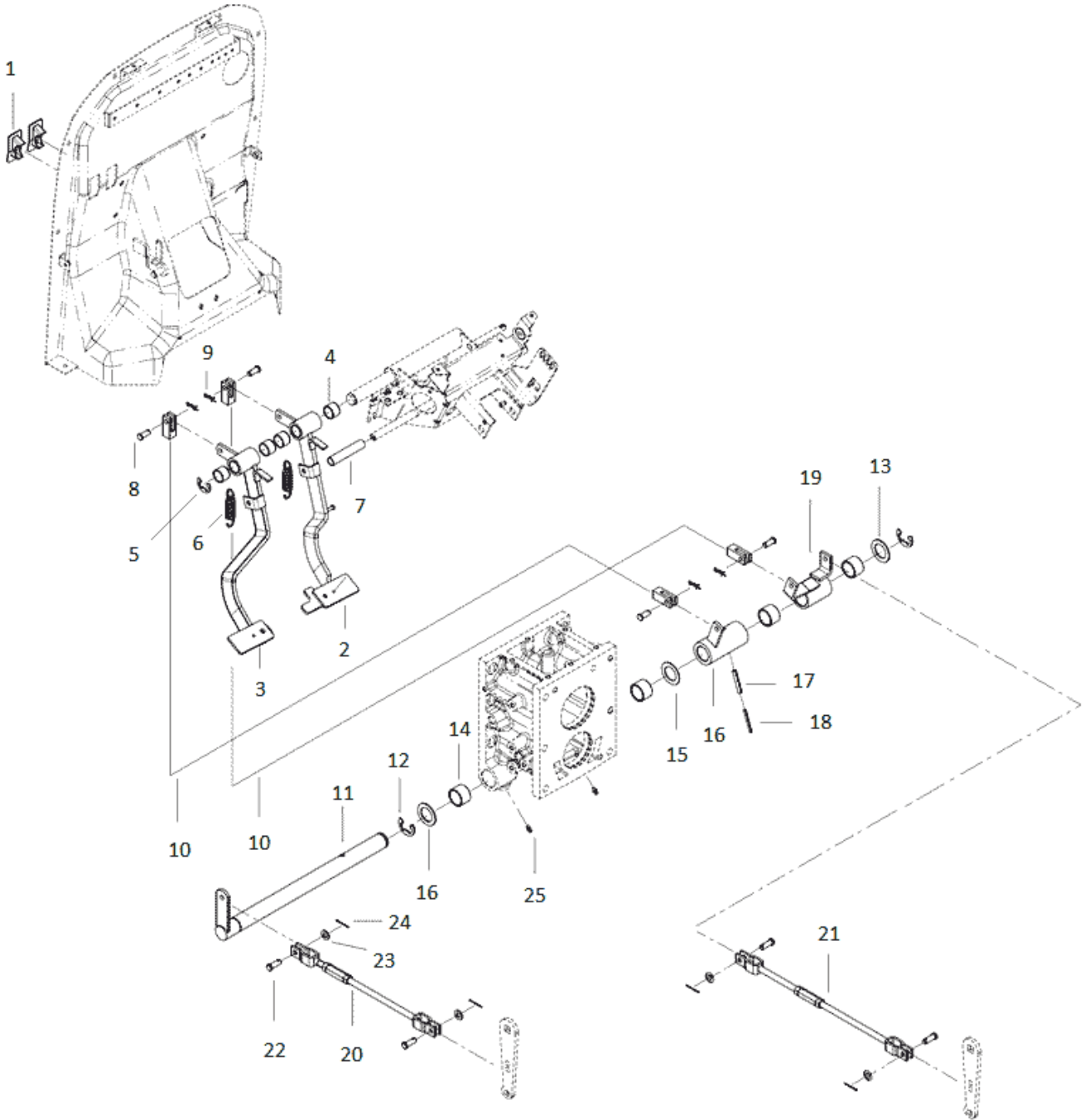
FIG

Branson 6225Ch(EU)  
\_EN(AC01282)

BRAKE LINK

Year/Month

2021-01





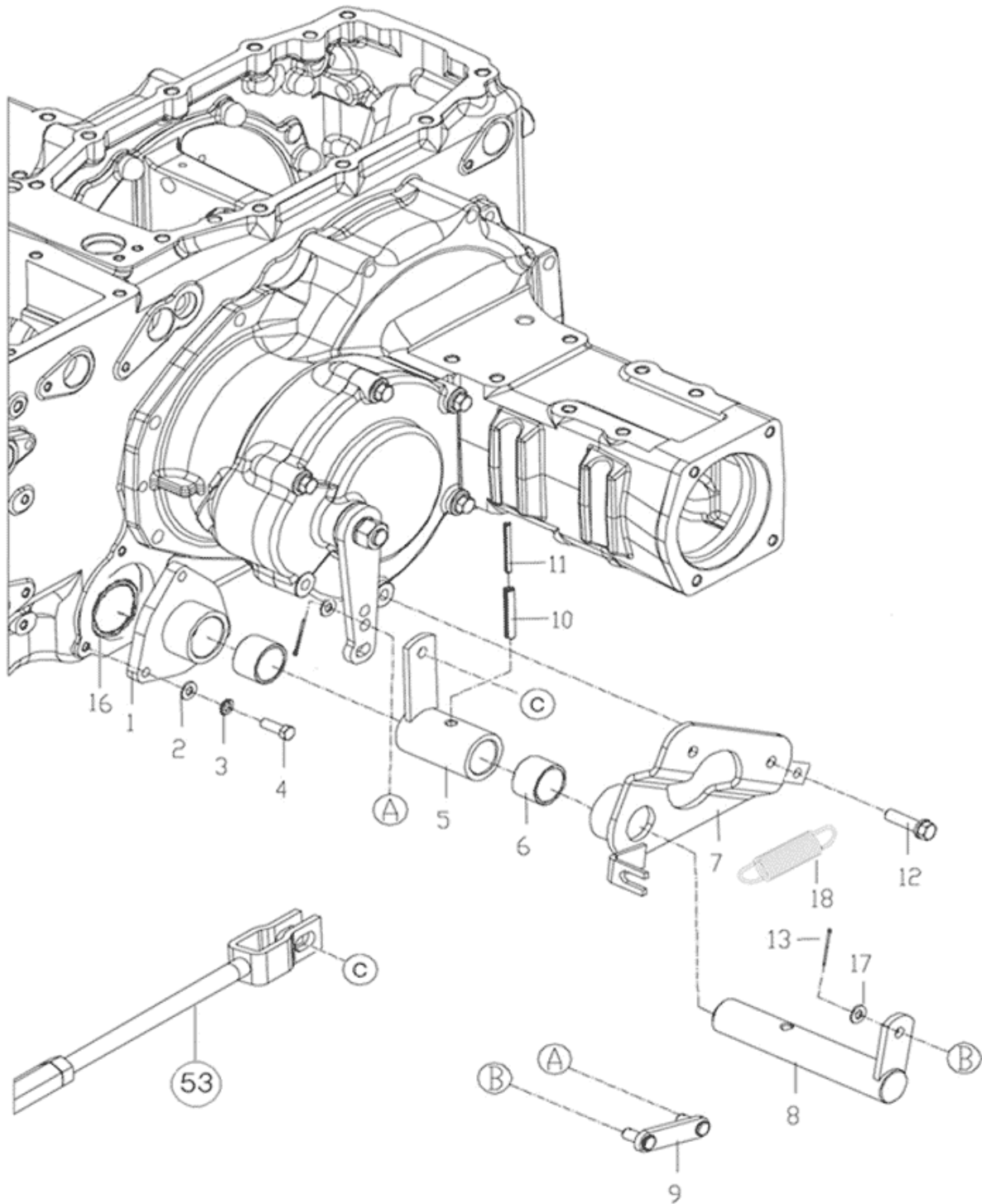
FIG

Branson 6225Ch(EU)  
\_EN(AC01282)

SUPPORT, BRAKE

Year/Month

2021-01





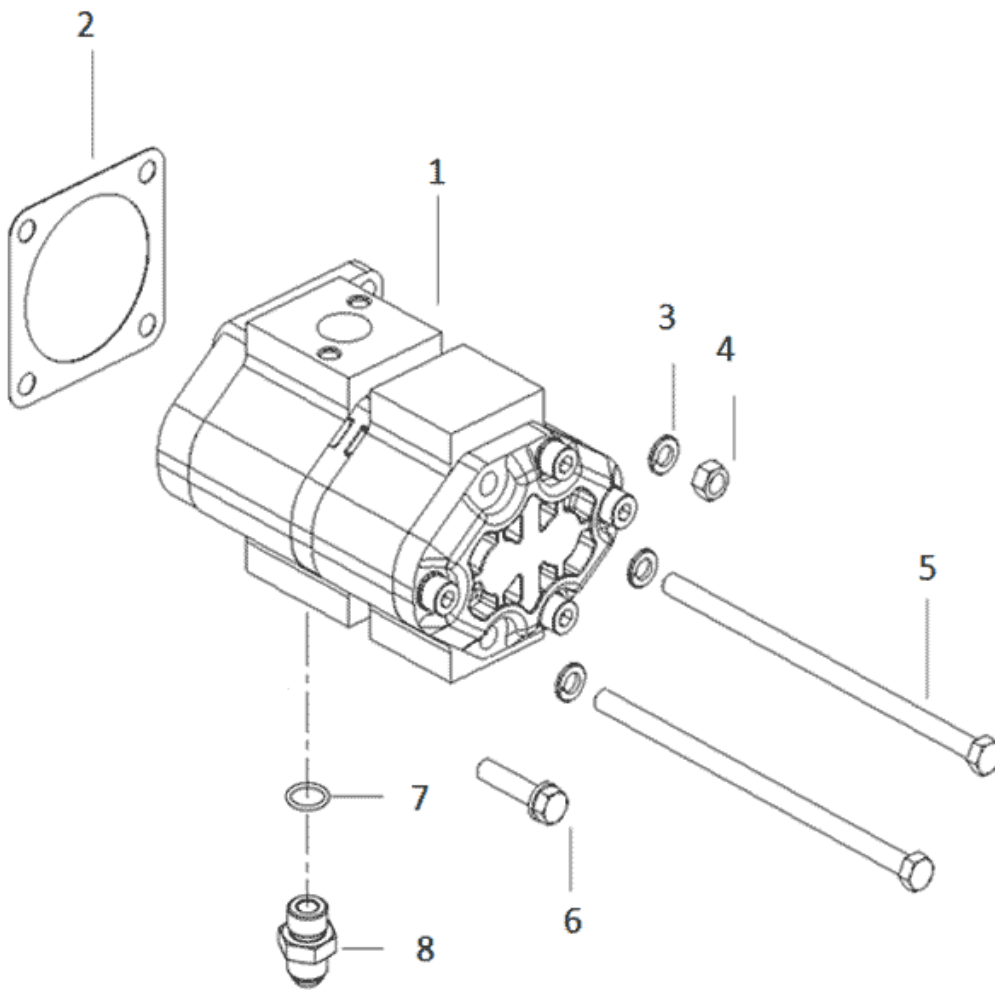
FIG

Branson 6225Ch(EU)  
\_EN(AC01282)

HYD PUMP

Year/Month

2021-01







FIG

Branson 6225Ch(EU)  
\_EN(AC01282)

CASE, HYD CYLINDER

Year/Month

2021-01

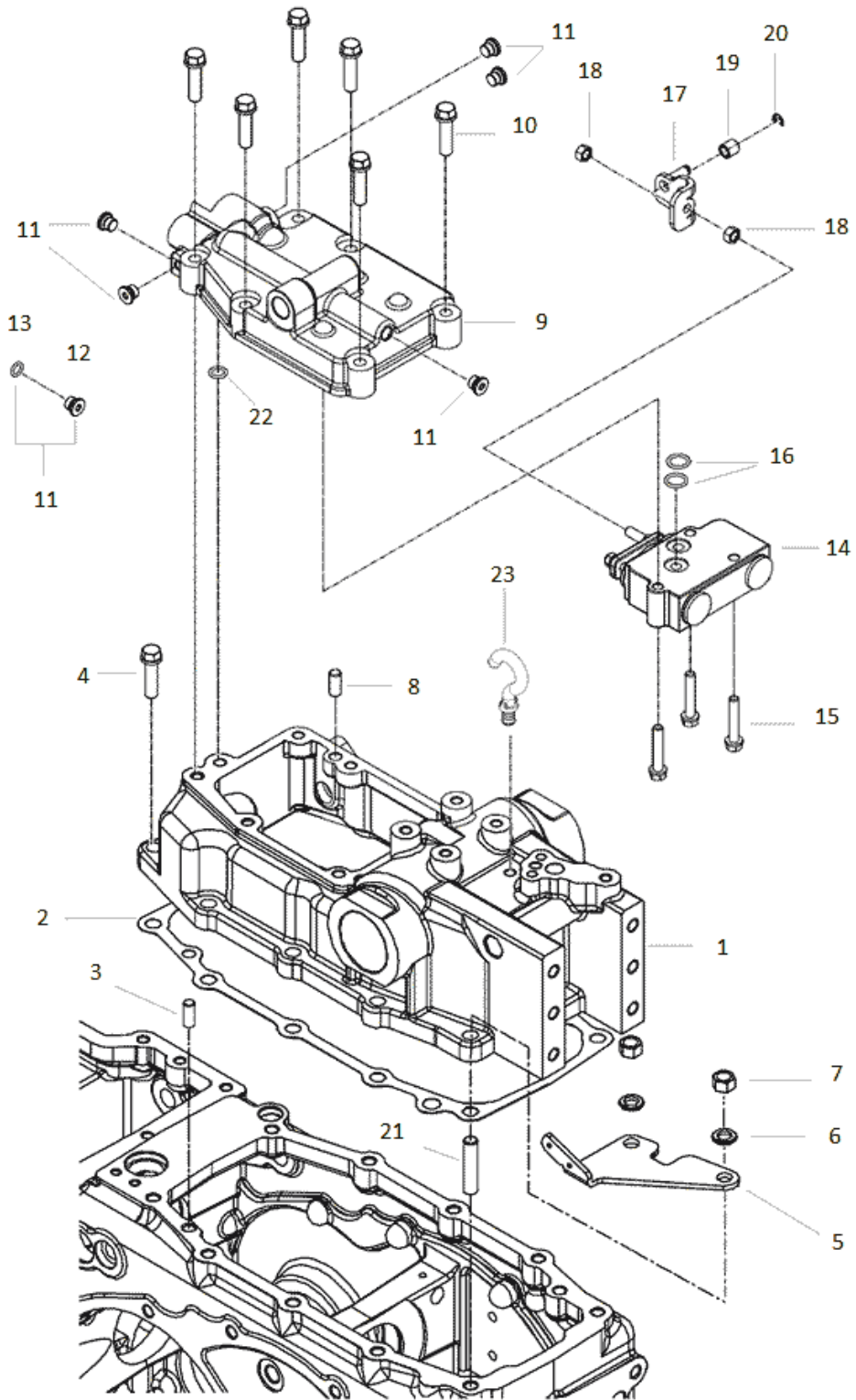


FIG		CASE, HYD CYLINDER			Year/Month
Branson 6225Ch(EU) _EN(AC01282)					2021-01
KeyNo.	Part Number	Description	Quantity	Other	
1	TA00033085G	HYD CYLINDER CASE	1		
1	TA00033085C	HYD CYLINDER CASE	1		
1	TA00033085D	HYD CYLINDER CASE	1		
1	TA00033085E	HYD CYLINDER CASE	1		
1	TA00033085F	HYD CYLINDER CASE	1		
1	TA00033085G	HYD CYLINDER CASE	1		
1	TA00033085H	HYD CYLINDER CASE	1		
1	TA00033085I	HYD CYLINDER CASE	1		
1	TA00033085J	HYD CYLINDER CASE	1		
2	TZA1050000A3	PACKING, HYD. CYL. CASE	1		
3	22312-100180	PIN, DOWEL (10-18)	1		
4	26013-120352	SCREW, CAPTIVE WASHER CAP	5		
5	TA00034079B	BRACKET, SWITCH	1		
5	TA00034079B	BRACKET, SWITCH	1		
6	22217-120000	WASHER, SPRING (Φ 12)	5		
7	26716-120002	BOLT, CYLINDER HEAD(B)	5		
8	22312-100200	PIN, DOWEL (10-20)	2		
9	TA00033096E	COVER, HYD CYLINDER	1		
9	TA00033096C	COVER, HYD CYLINDER	1		
9	TA00033096D	COVER, HYD CYLINDER	1		
9	TA00033096E	COVER, HYD CYLINDER	1		
9	TA00033096F	COVER, HYD CYLINDER	1		
9	TA00033096G	COVER, HYD CYLINDER	1		
9	TA00033096H	COVER, HYD CYLINDER	1		
10	26013-100452	HEX BOLT W/WASHER	6		
11	TA00045690A	PLUG ASS'Y	5		
11	TA00045690B	PLUG ASS'Y	5		
12	TA00045685A	PLUG	5		
13	24311-000080	O-RING, DYNAMIC (Φ8)	5		
14	TA00033098B	VALVE, CONTROL	1		
14	TA00033098B	VALVE, CONTROL	1		
14	TA00033098C	VALVE, CONTROL	1		
15	26043-080452	BOLT W/WASHER	3		
16	24315-000160	O-RING	2		
17	TA00034000B	CLABIS ASS'Y	1		
17	TA00034000C	CLEVIS AS'Y	1		
18	26711-080002	NUT	2		
19	TA00033126A	ROLLER	1		
20	22272-000060	RING, CIRCLIP (Φ 06)	1		
21	26216-120352	STEELBOLT	5		
22	24311-000120	O-RING, DYNAMIC (Φ12)	1		
23	TA00019614A	CAP	1		

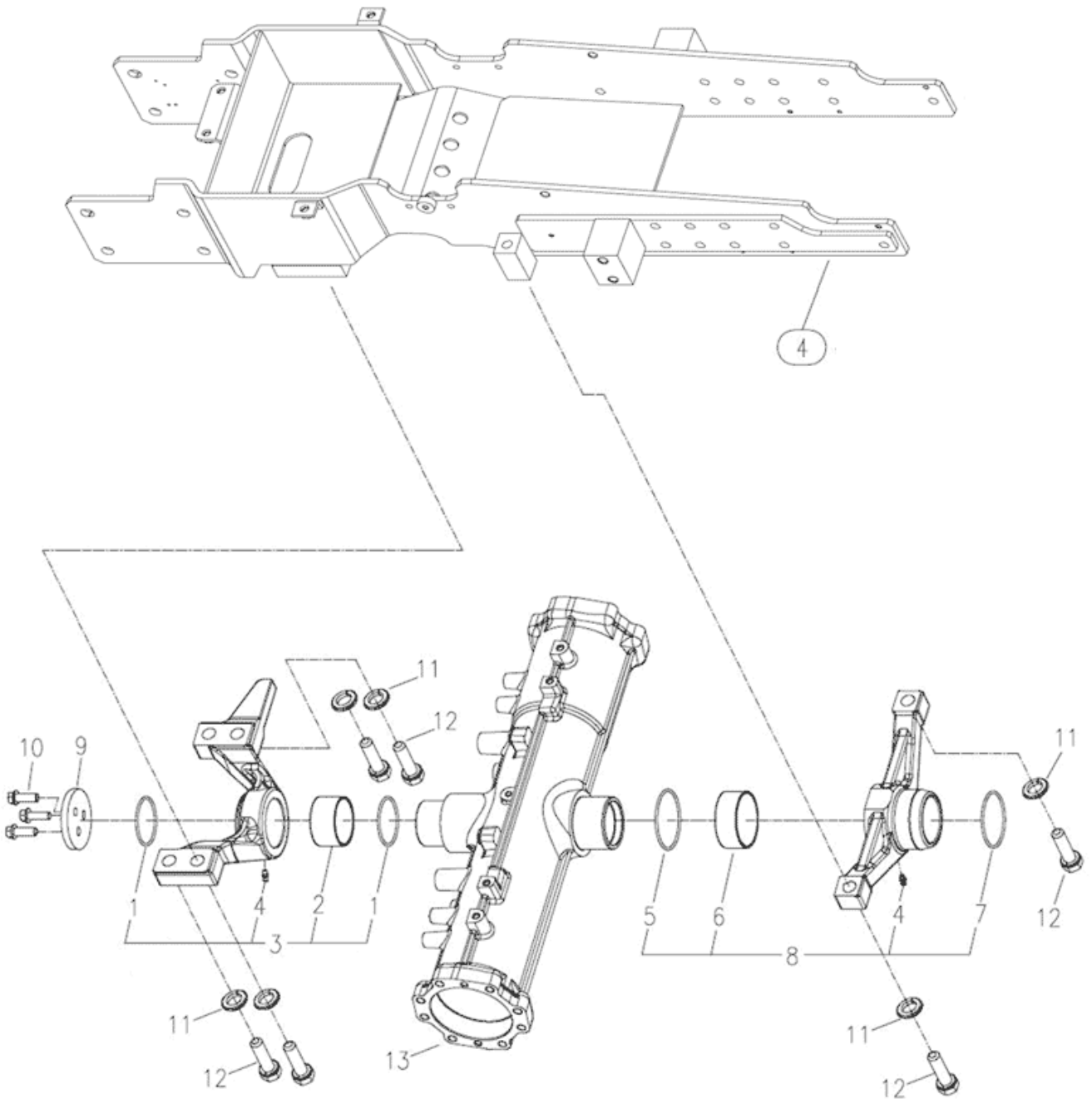
FIG

Branson 6225Ch(EU)  
\_EN(AC01282)

CENTER PIN SUPPORTER

Year/Month

2021-01





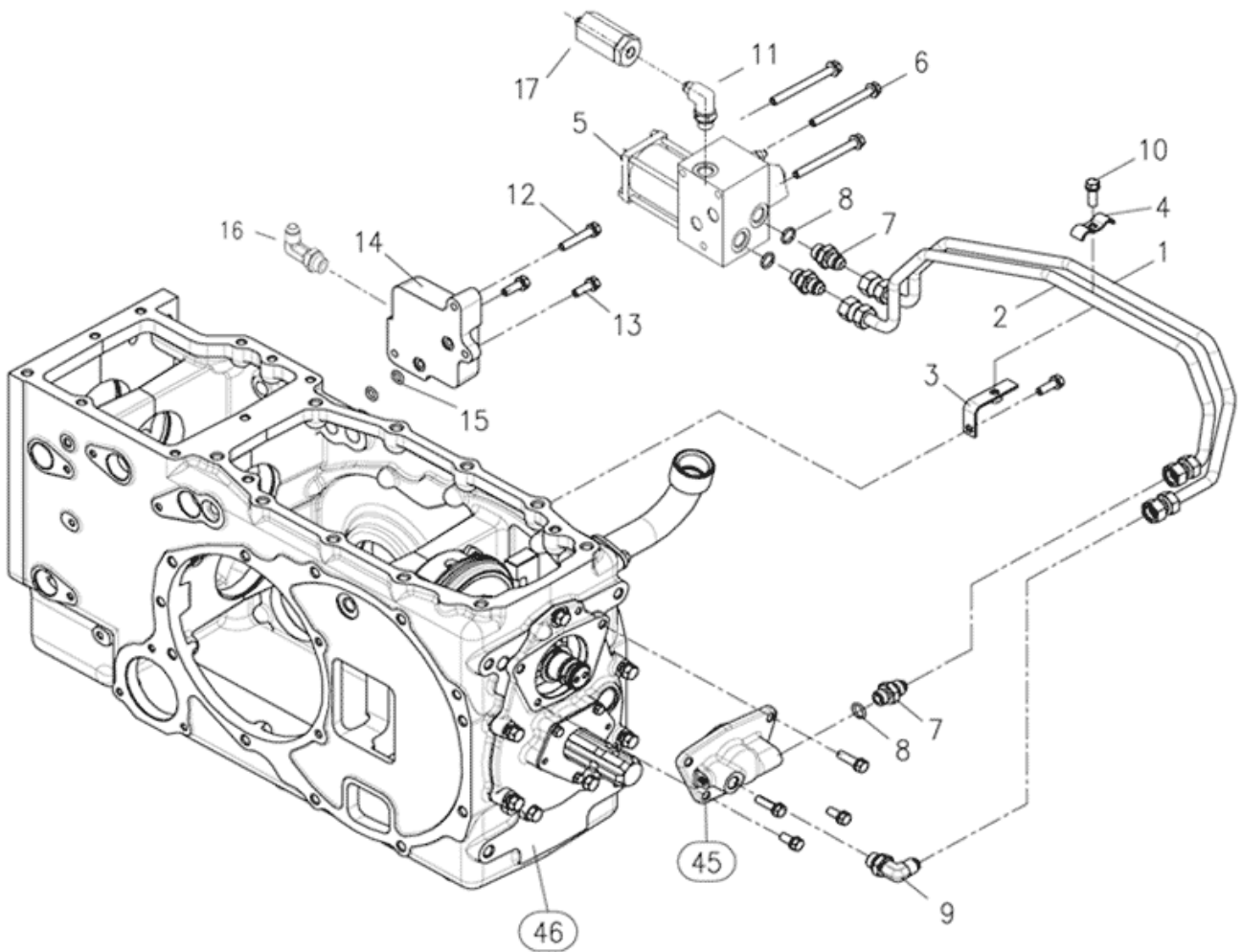
FIG

Branson 6225Ch(EU)  
\_EN(AC01282)

IND PTO SUPPPT

Year/Month

2021-01





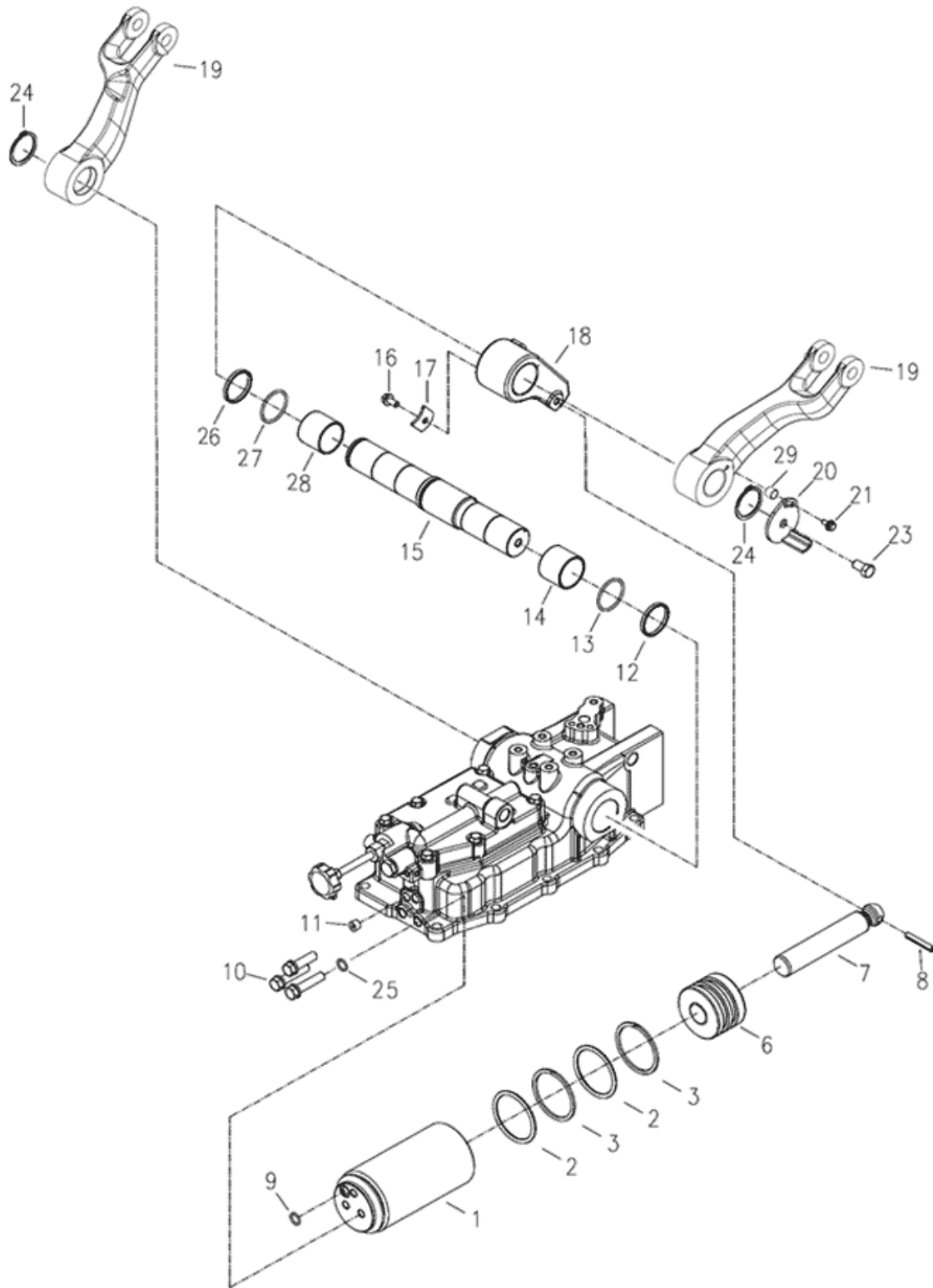
FIG

Branson 6225Ch(EU)  
\_EN(AC01282)

PISTON ASS'Y

Year/Month

2021-01







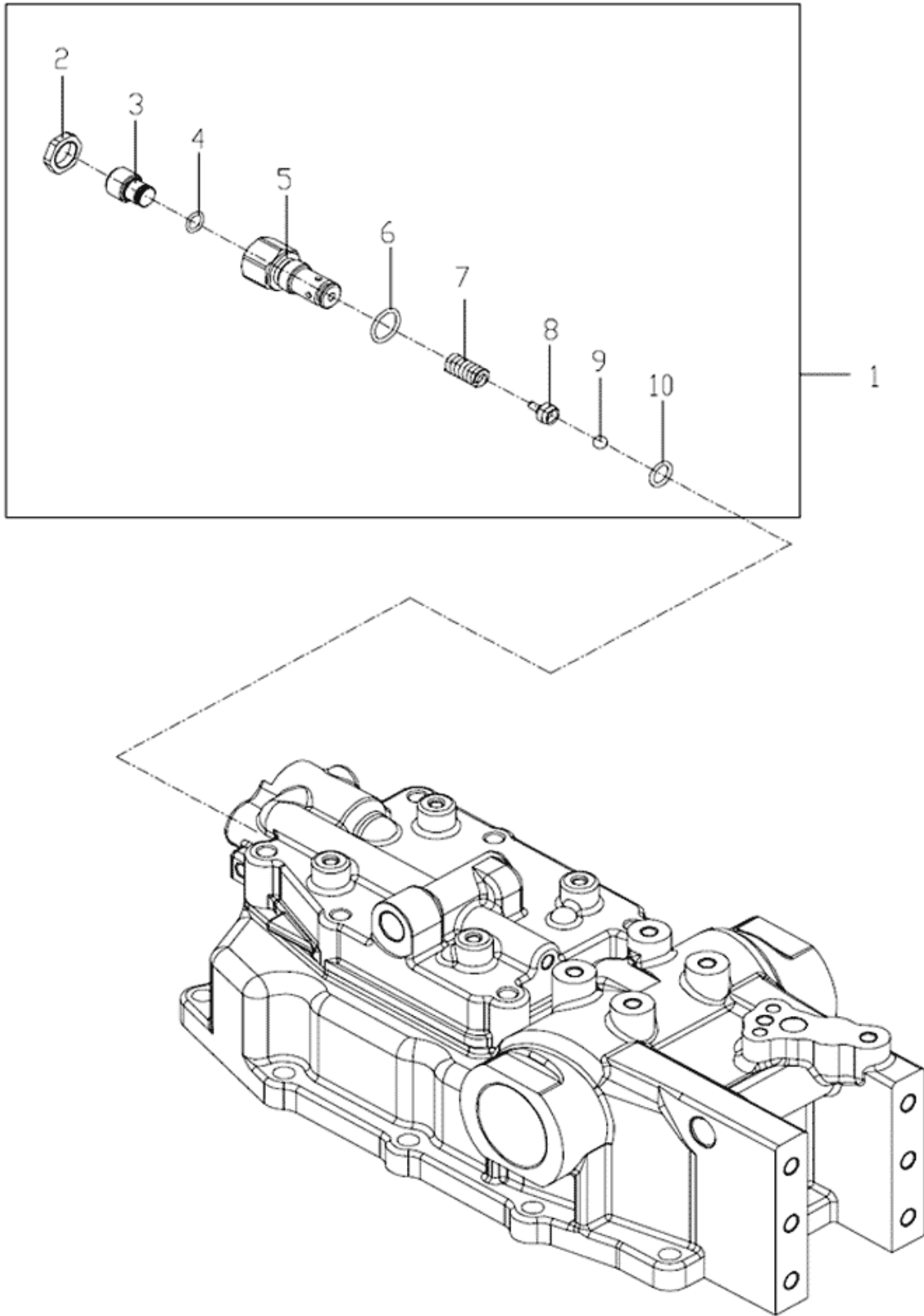
FIG

Branson 6225Ch(EU)  
\_EN(AC01282)

SAFTY VALVE

Year/Month

2021-01





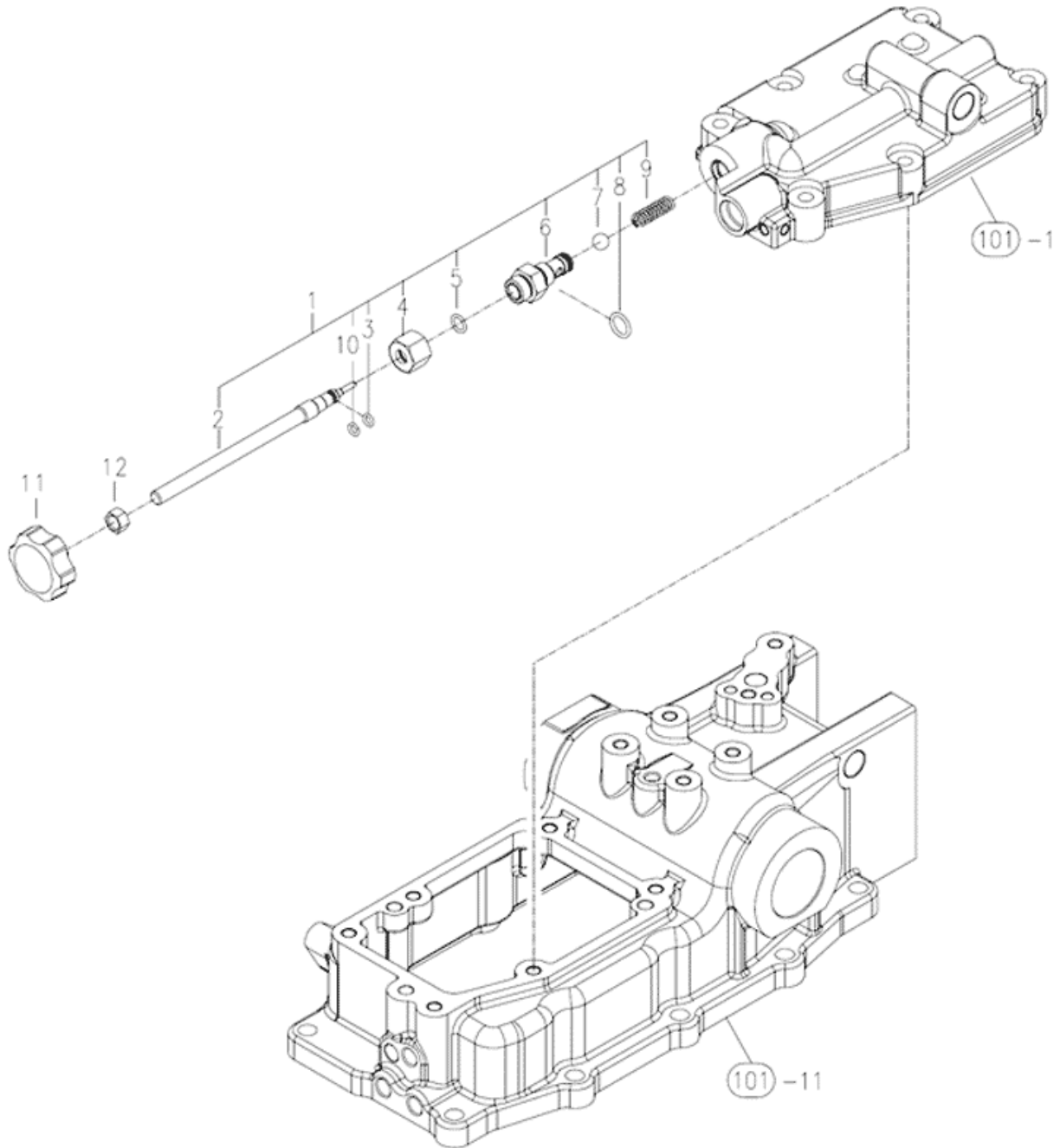
FIG

Branson 6225Ch(EU)  
\_EN(AC01282)

STOP VALVE

Year/Month

2021-01





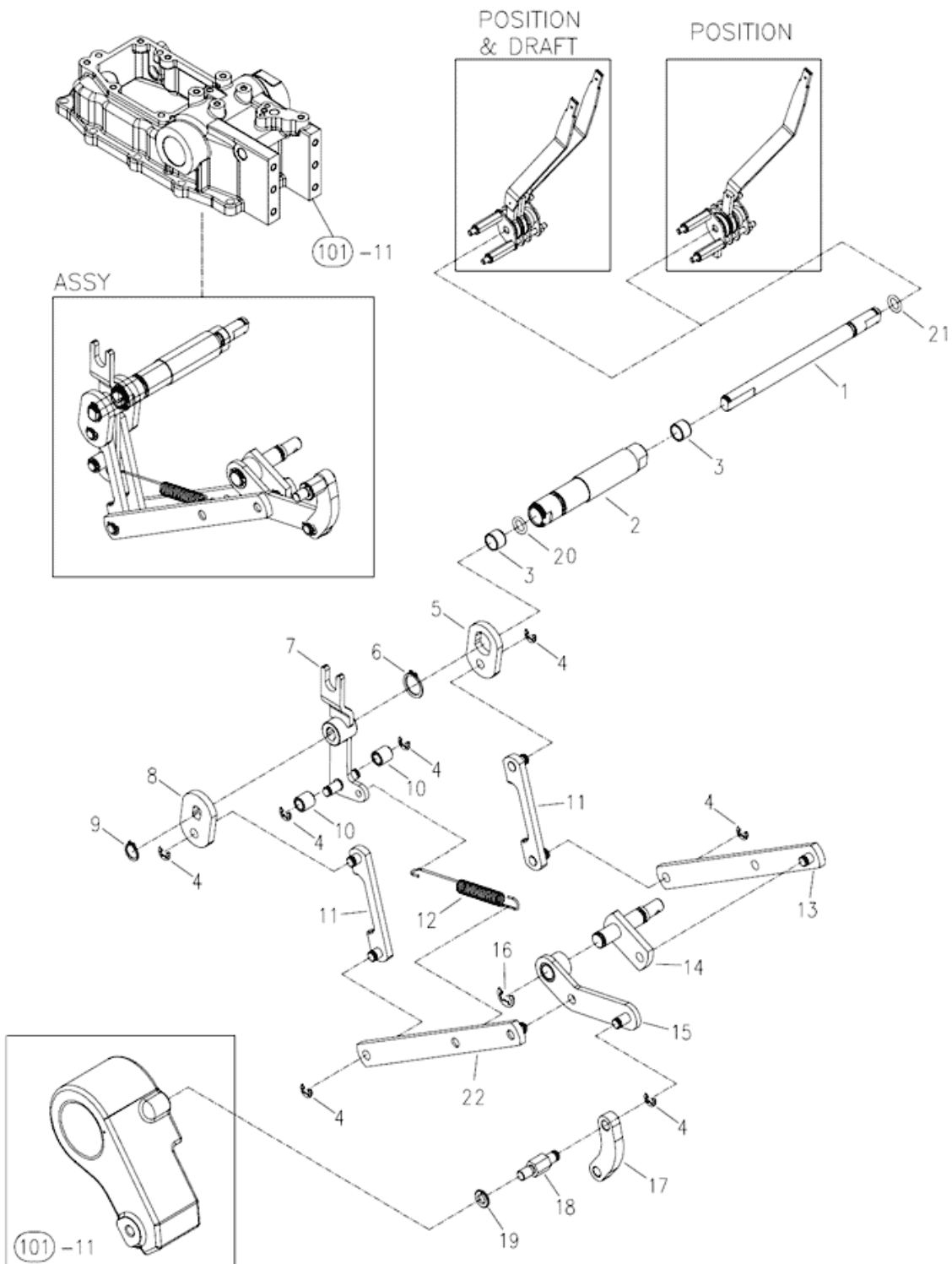
FIG

Branson 6225Ch(EU)  
\_EN(AC01282)

# HYD CONTROL POSITION TYPE

Year/Month

2021-01





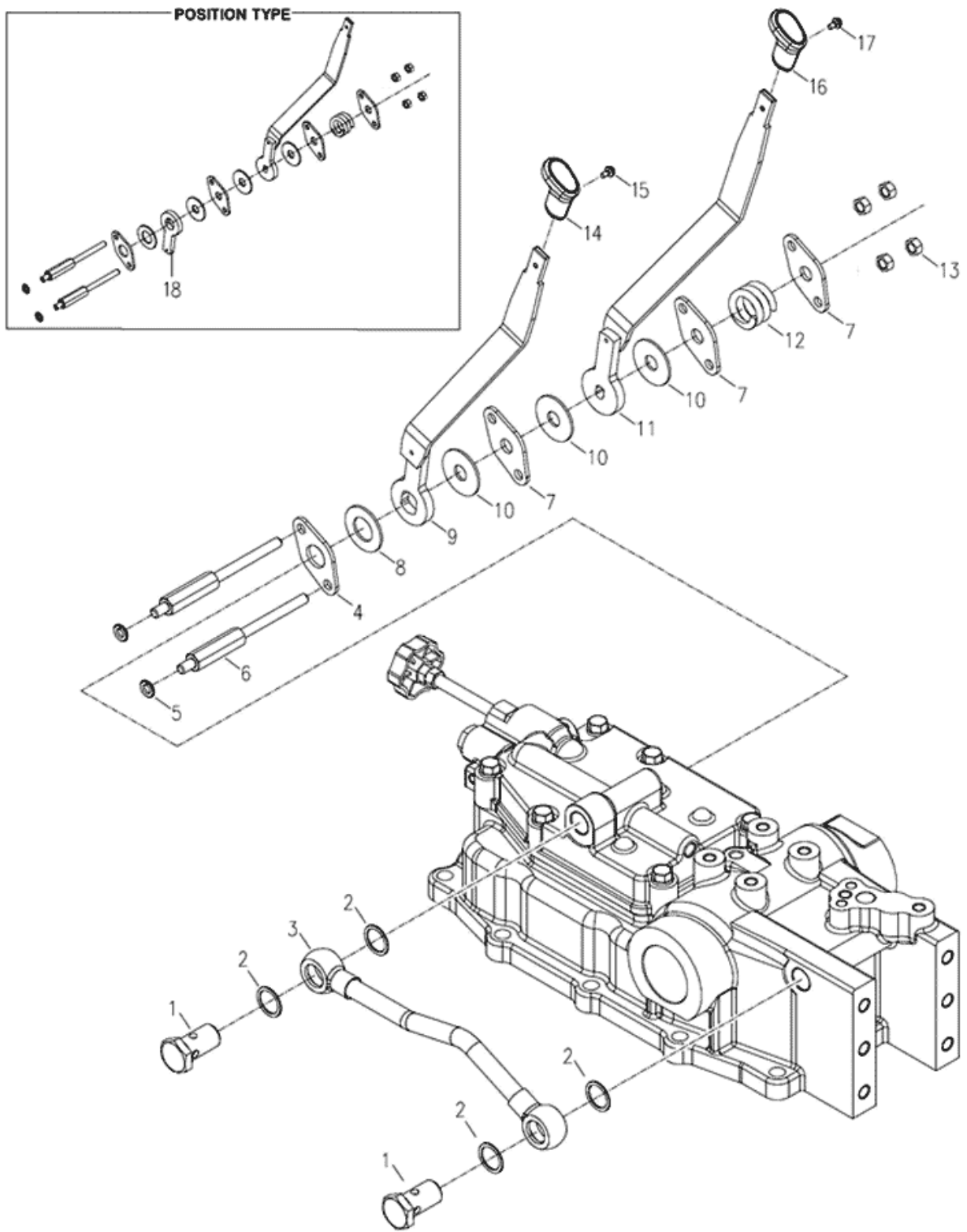
FIG

Branson 6225Ch(EU)  
\_EN(AC01282)

### HYD CONTROL POSITION TYPE

Year/Month

2021-01







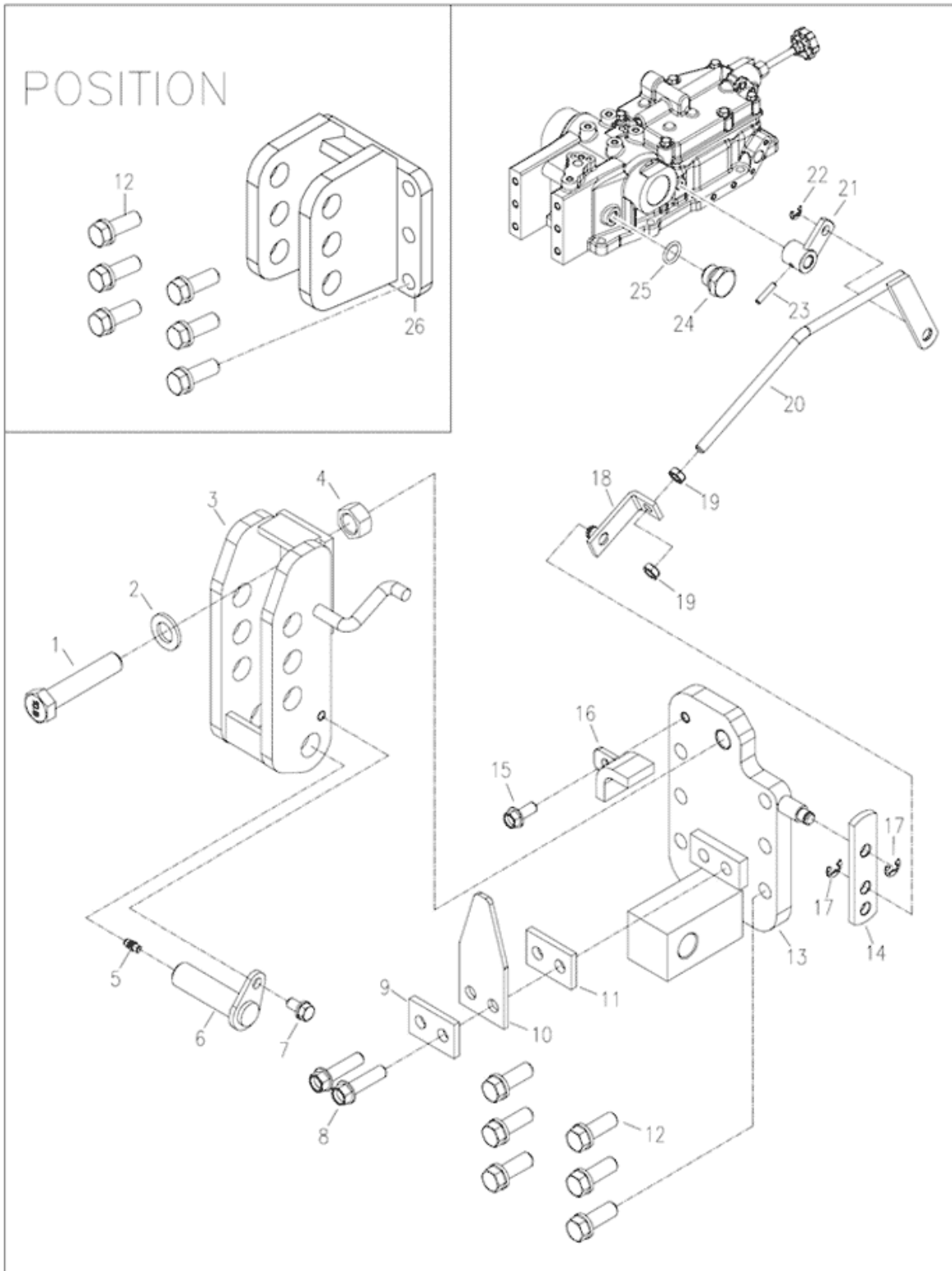
FIG

Branson 6225Ch(EU)  
\_EN(AC01282)

DRAFT CONTROL

Year/Month

2021-01





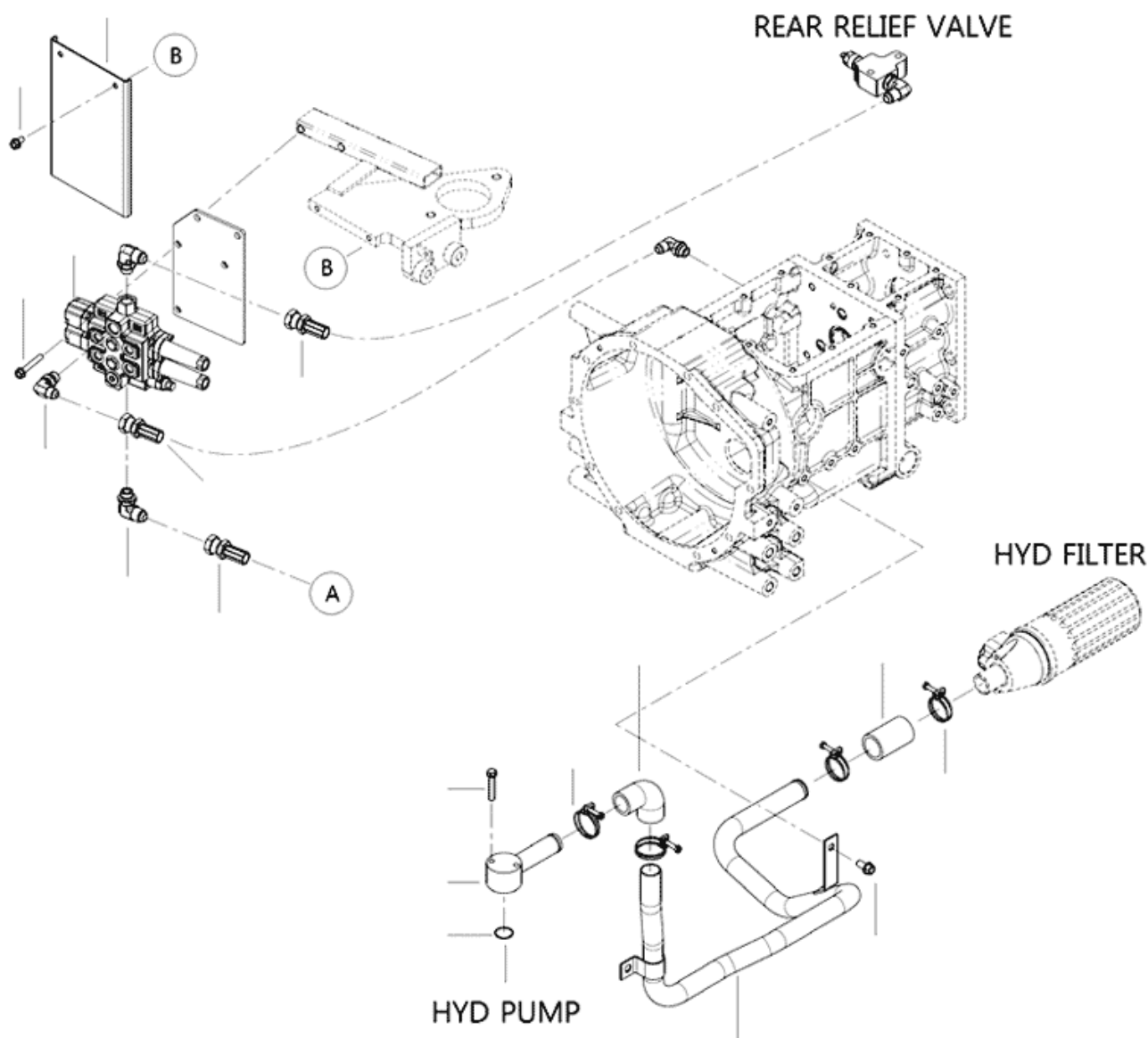
FIG

Branson 6225Ch(EU)  
\_EN(AC01282)

# HYD PIPING

Year/Month

2021-01





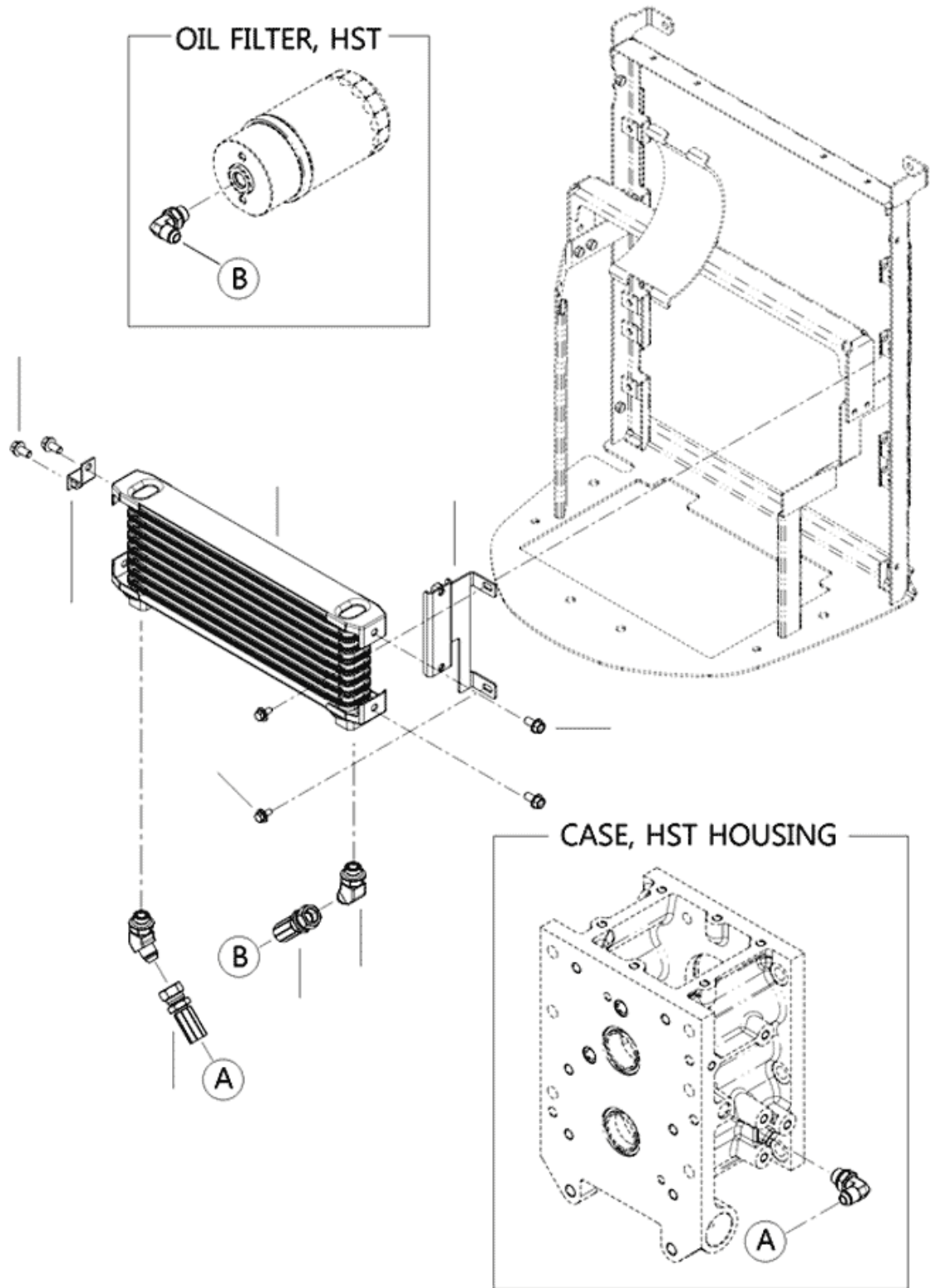
FIG

Branson 6225Ch(EU)  
\_EN(AC01282)

OIL COOLER

Year/Month

2021-01





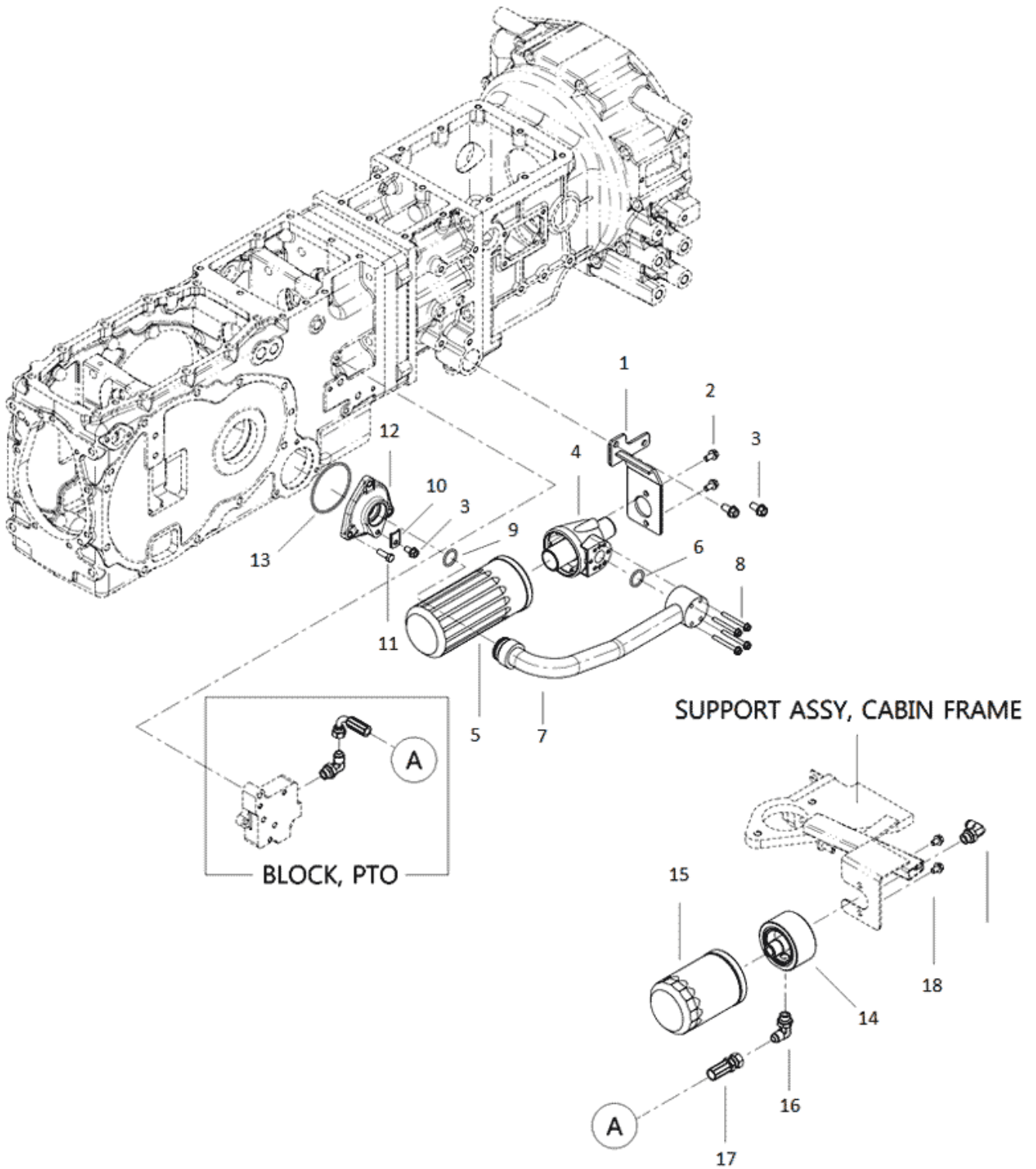
FIG

Branson 6225Ch(EU)  
\_EN(AC01282)

# HYD FILTER

Year/Month

2021-01







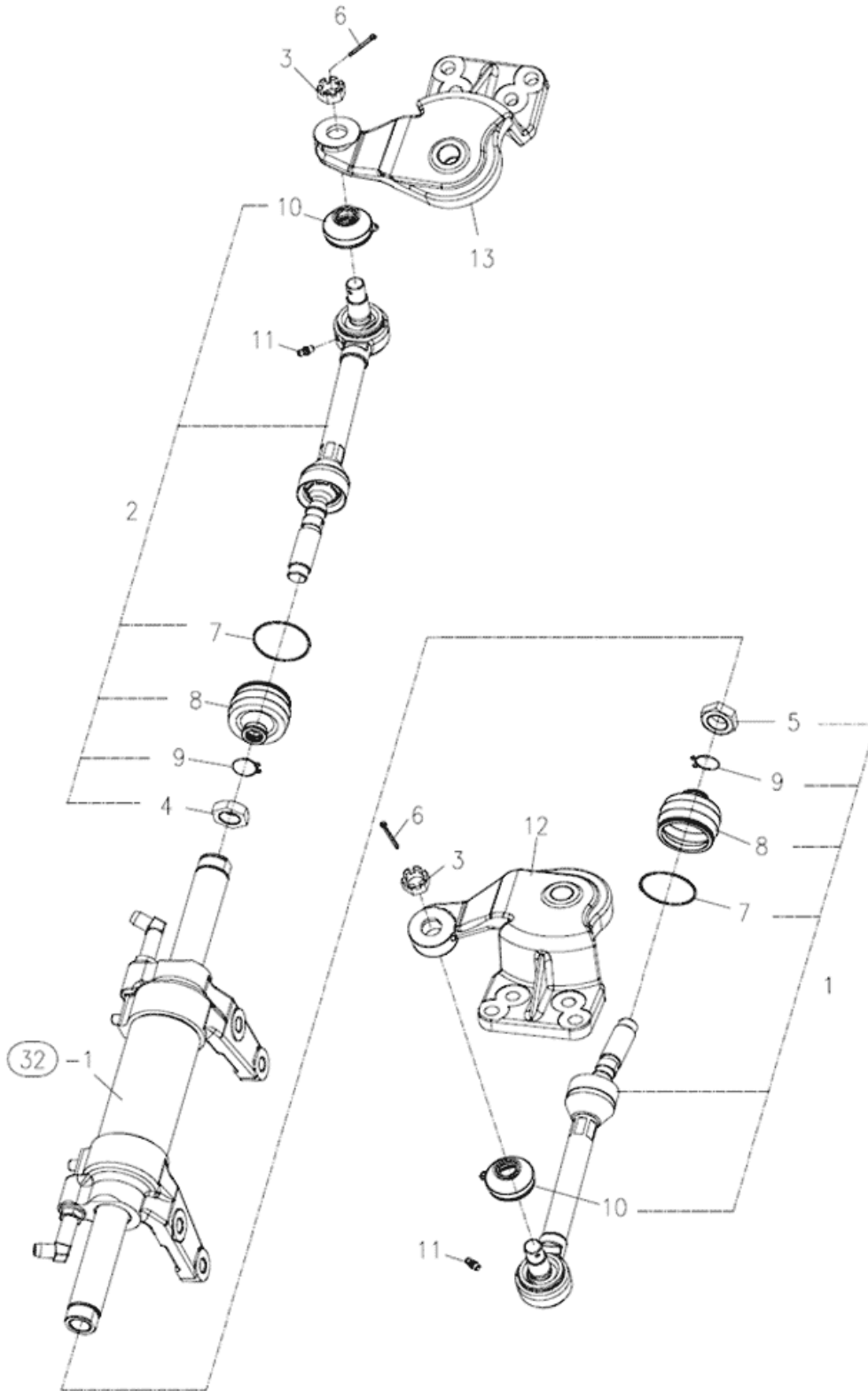
FIG

Branson 6225Ch(EU)  
\_EN(AC01282)

TIE ROD

Year/Month

2021-01





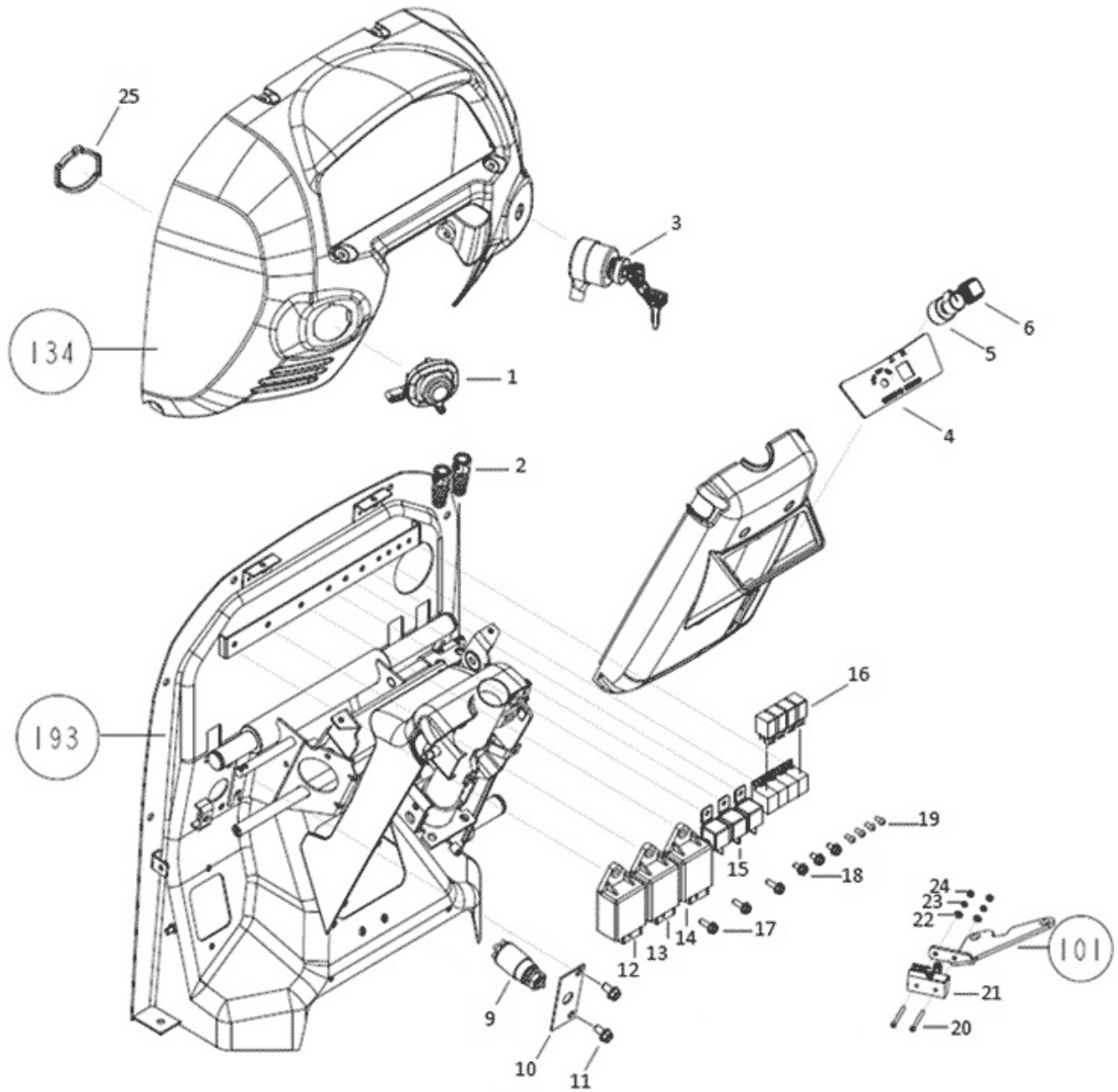
FIG

Branson 6225Ch(EU)  
\_EN(AC01282)

SWITCH

Year/Month

2021-01





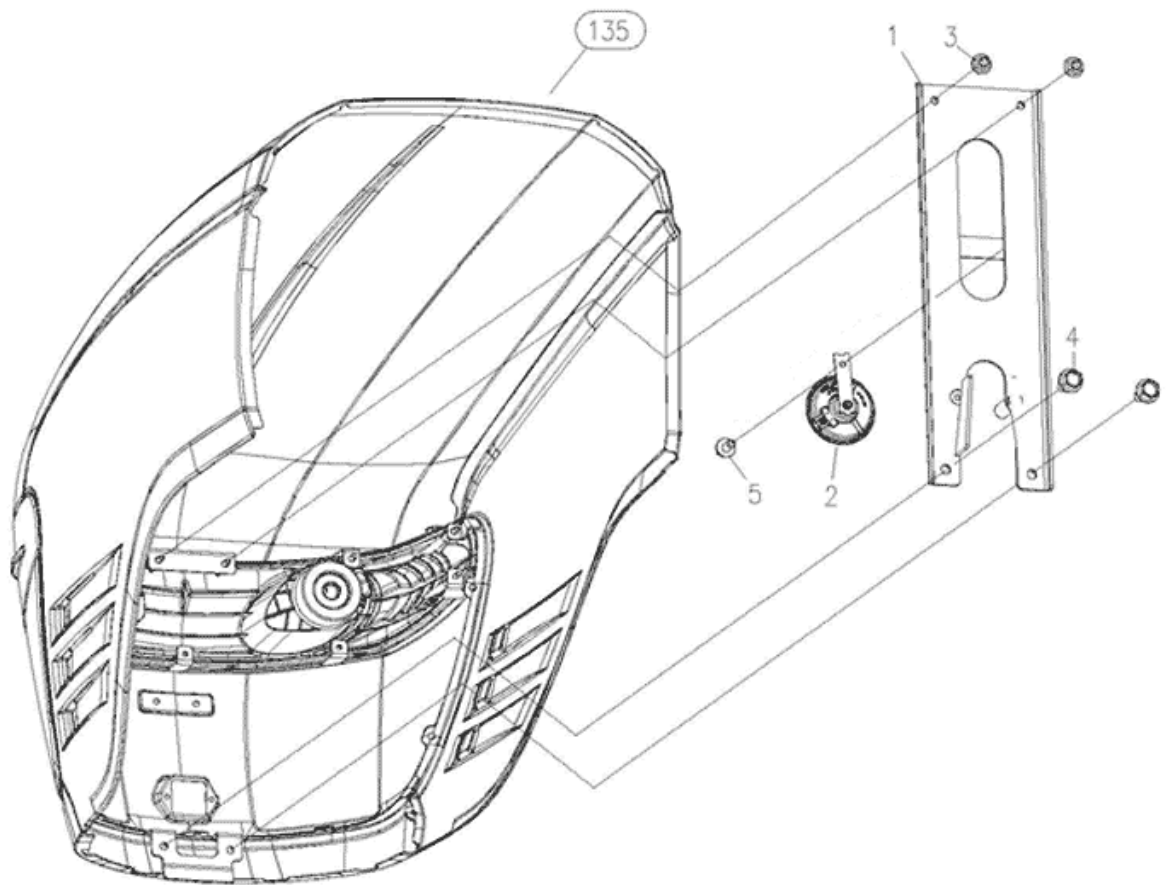
FIG

Branson 6225Ch(EU)  
\_EN(AC01282)

HORN

Year/Month

2021-01





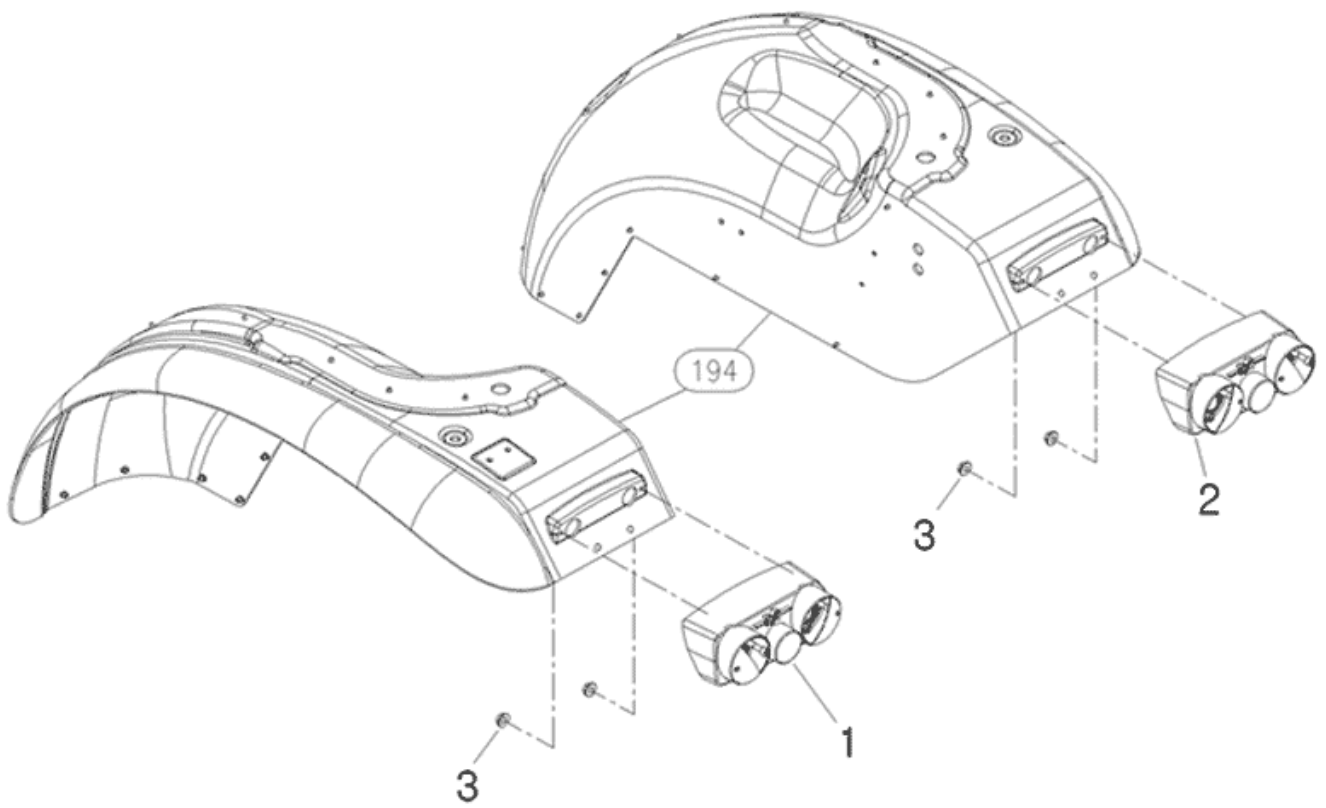
FIG

Branson 6225Ch(EU)  
\_EN(AC01282)

LAMP

Year/Month

2021-01







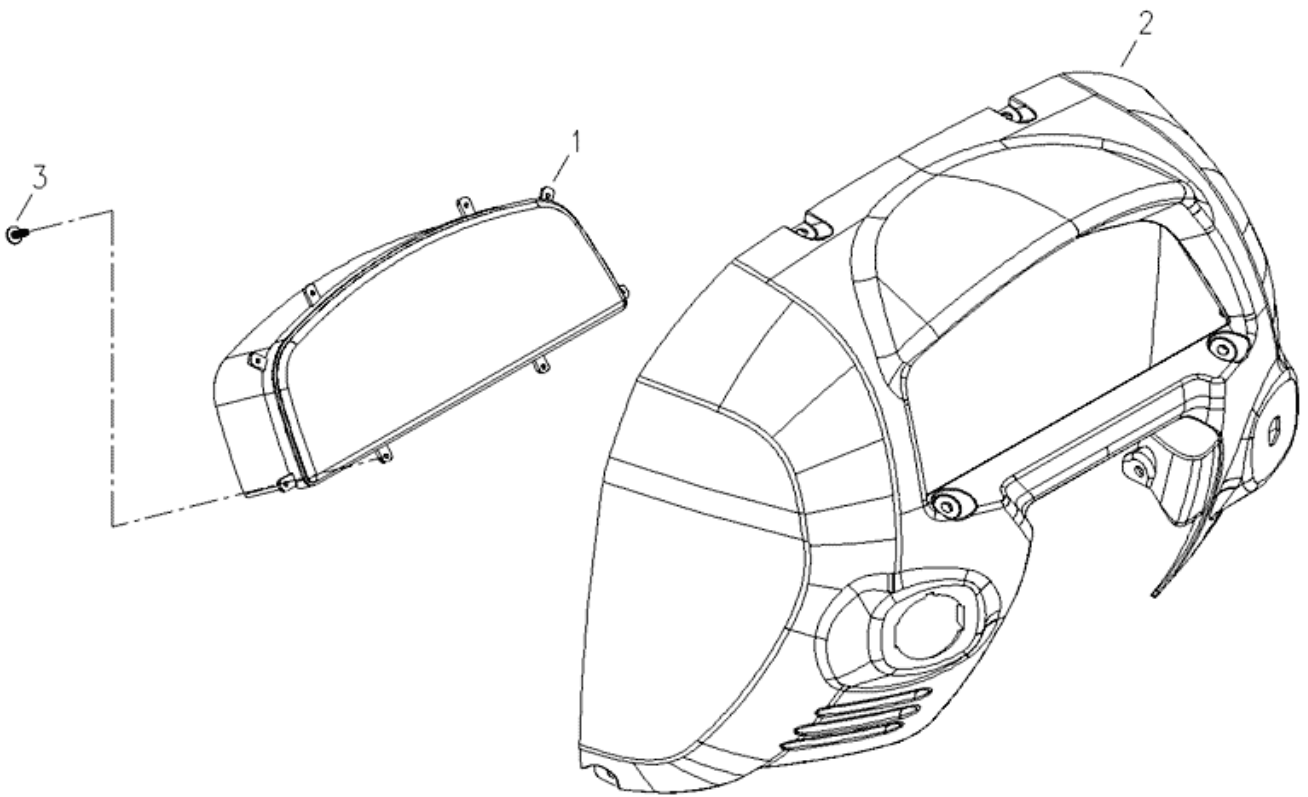
FIG

Branson 6225Ch(EU)  
\_EN(AC01282)

METER ASS'Y

Year/Month

2021-01





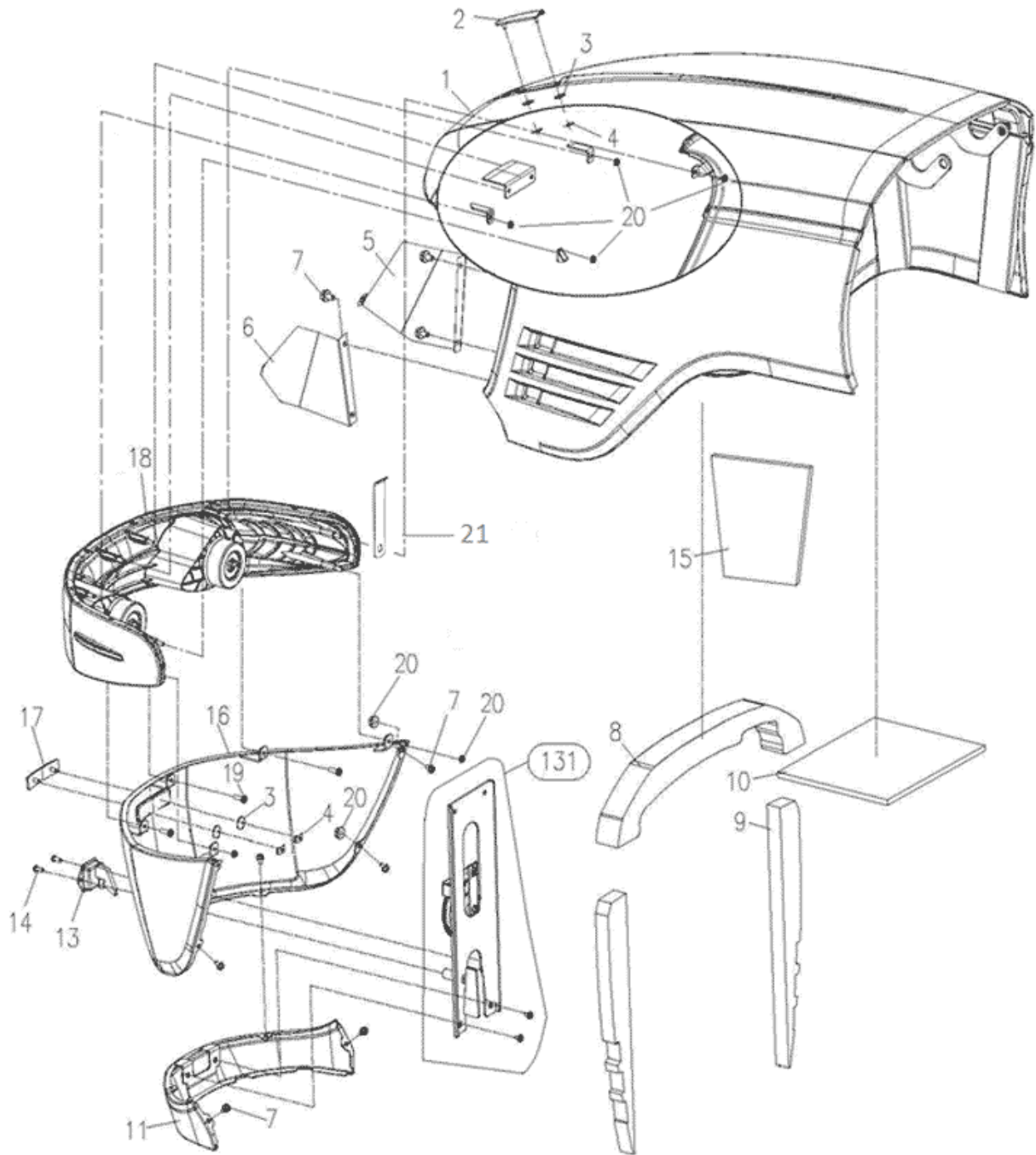
FIG

Branson 6225Ch(EU)  
\_EN(AC01282)

BONNET

Year/Month

2021-01





FIG

Branson 6225Ch(EU)  
\_EN(AC01282)

BONNET SUPPORT\_5825CH/6225CH

Year/Month

2021-01

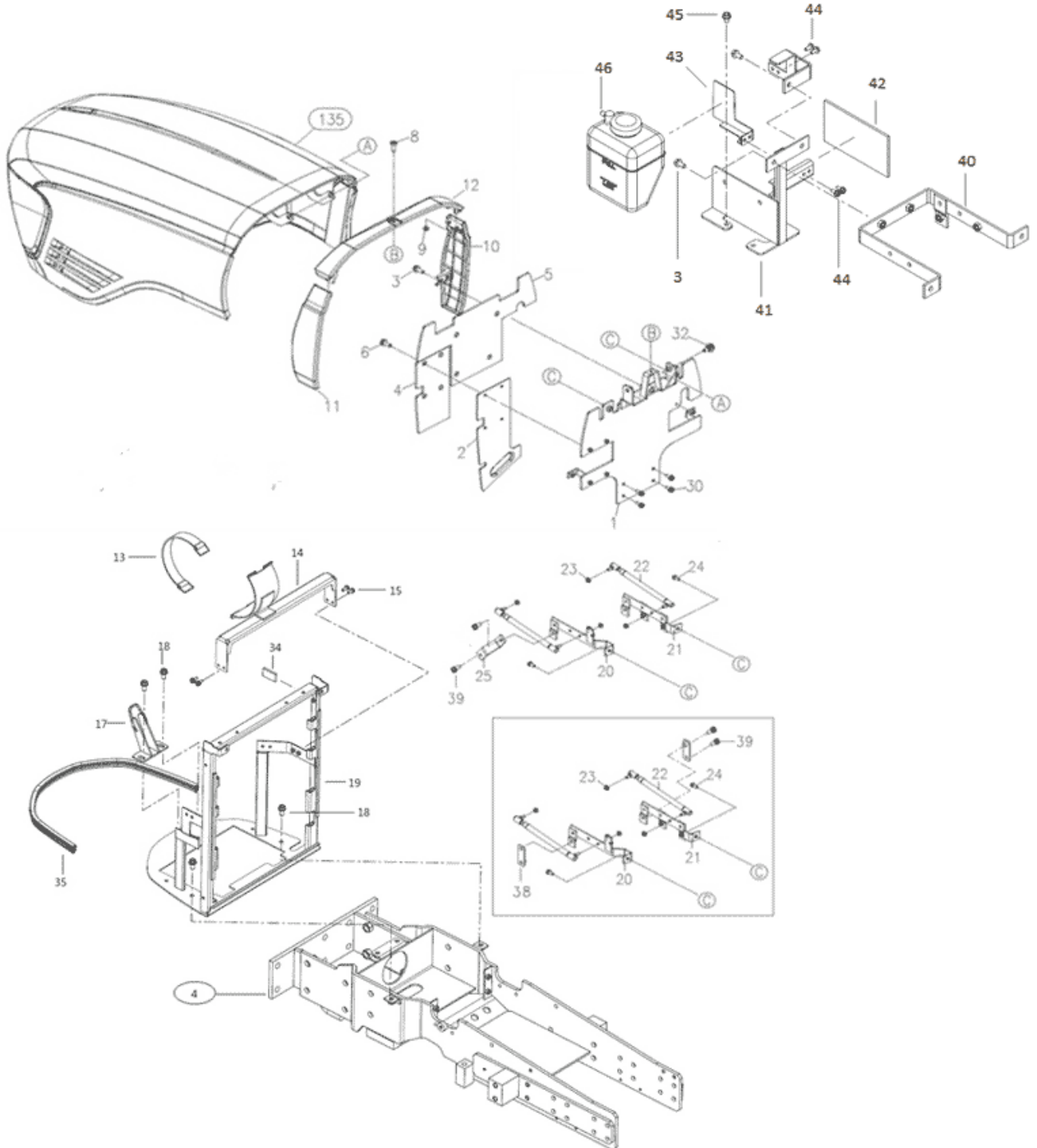


FIG		BONNET SUPPORT_5825CH/6225CH			Year/Month
Branson 6225Ch(EU) _EN(AC01282)					2021-01
KeyNo.	Part Number	Description	Quantity	Other	
1	TA00028152D	PLATE ASS'Y	1		
1	TA00028152B	PLATE ASS'Y	1		
1	TA00028152D	PLATE ASS'Y	1		
1	TA00028152E	PLATE ASS'Y	1		
1	TA00028152F	PLATE ASS'Y	1		
2	TA00028165A	PLATE	2		
2	TA00028165B	PLATE	2		
3	26106-080162	SCREW,HEXFLANGEHEADCAP	2		
4	TA00028206A	SPONGE B	1		
4	TA00028206B	SPONGE B	1		
5	TA00028205A	SPONGE A	1		
8	26106-060120	HEX FLANGE BOLT	1		
9	26367-060002	Nut, Hexa (Φ6)	4		
10	TA00028652D	REAR BONNET R	1		
10	TA00028652C	REAR BONNET R	1		
10	TA00028652D	REAR BONNET R	1		
11	TA00028651D	REAR BONNET L	1		
11	TA00028651C	REAR BONNET L	1		
11	TA00028651D	REAR BONNET L	1		
12	TA00028650D	REAR BONNET	1		
12	TA00028650C	REAR BONNET	1		
12	TA00028650D	REAR BONNET	1		
13	TZD6890000A4	BAND,AIRCLEANERHOLDING	2		
14	TA00034921A	BRACKET, AIR-CLEANER	1		
14	TA00034921B	BRACKET, AIR-CLEANER	1		
15	26106-060162	HEXFLANGEBOLT	8		
17	TA00022936A	HOOD LOCK	1		
17	TA00022936B	BRACKET ASS'Y	1		
18	26106-100202	HEX BOLT, (10-20)	4		
19	TA00039316A	GRILL FRAME ASS'Y	1		
19	TA00039316B	GRILL FRAME ASS'Y	1		
19	TA00039316C	GRILL FRAME ASS'Y	1		
19	TA00039316D	GRILL FRAME ASS'Y	1		
20	TA00034874A	BRACKET A	1		
20	TA00034874B	BRACKET A	1		
20	TA00034874C	BRACKET A	1		
21	TA00034873A	BRACKET ASS'Y	1		
21	TA00034873B	BRACKET ASS'Y	1		
21	TA00034873C	BRACKET ASS'Y	1		
22	TA00023455A	GAS SPRING	2		
22	TA00023455B	GAS SPRING	2		
23	26367-080002	HEX FLANGE NUT (Φ8)	4		
24	26106-100202	HEX BOLT, (10-20)	4		
30	26106-080182	SCREW,HEXFLANGEHEADCAP	4		
32	TA00022981A	BONNET BOLT	2		



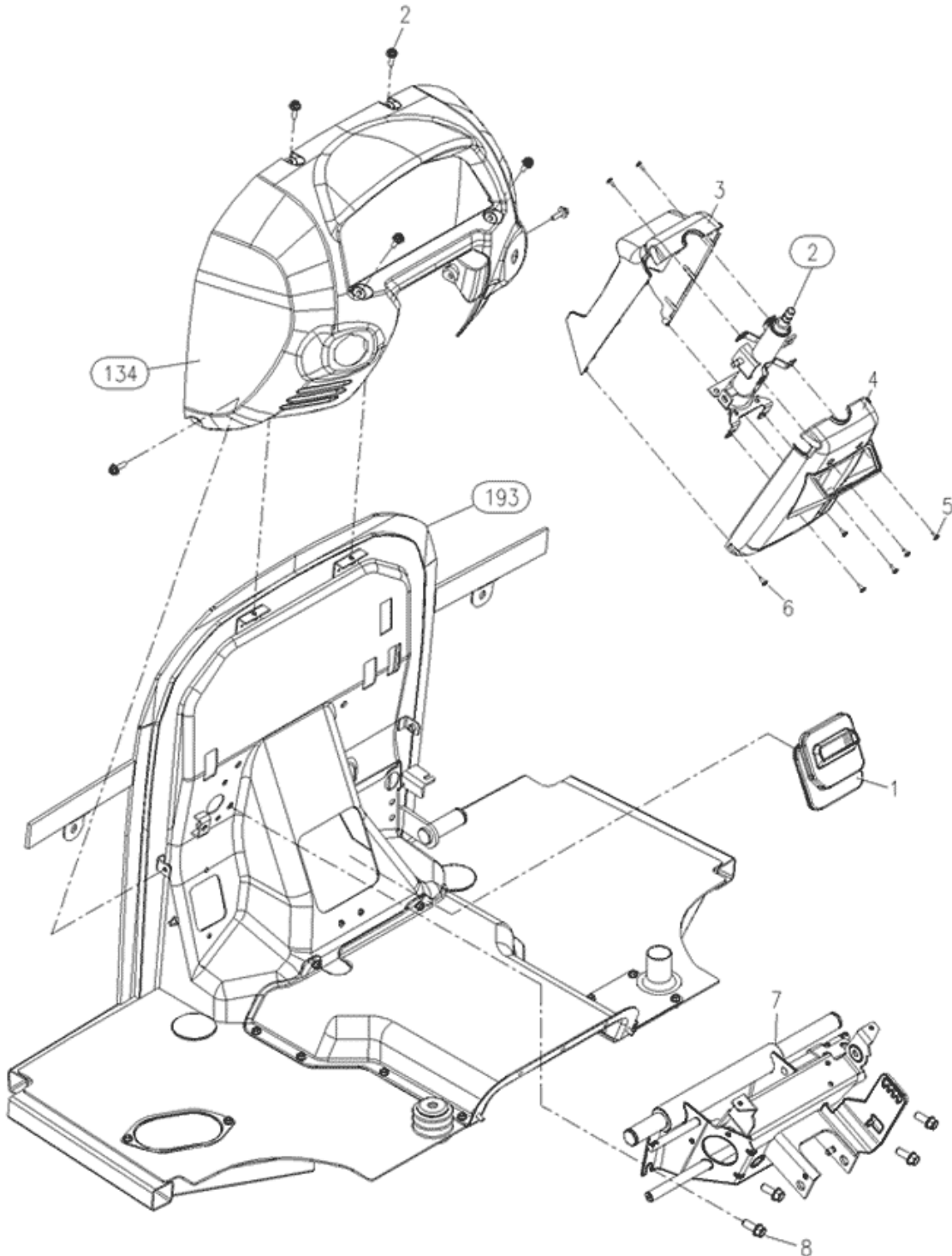
FIG

Branson 6225Ch(EU)  
\_EN(AC01282)

DASH BOARD

Year/Month

2021-01







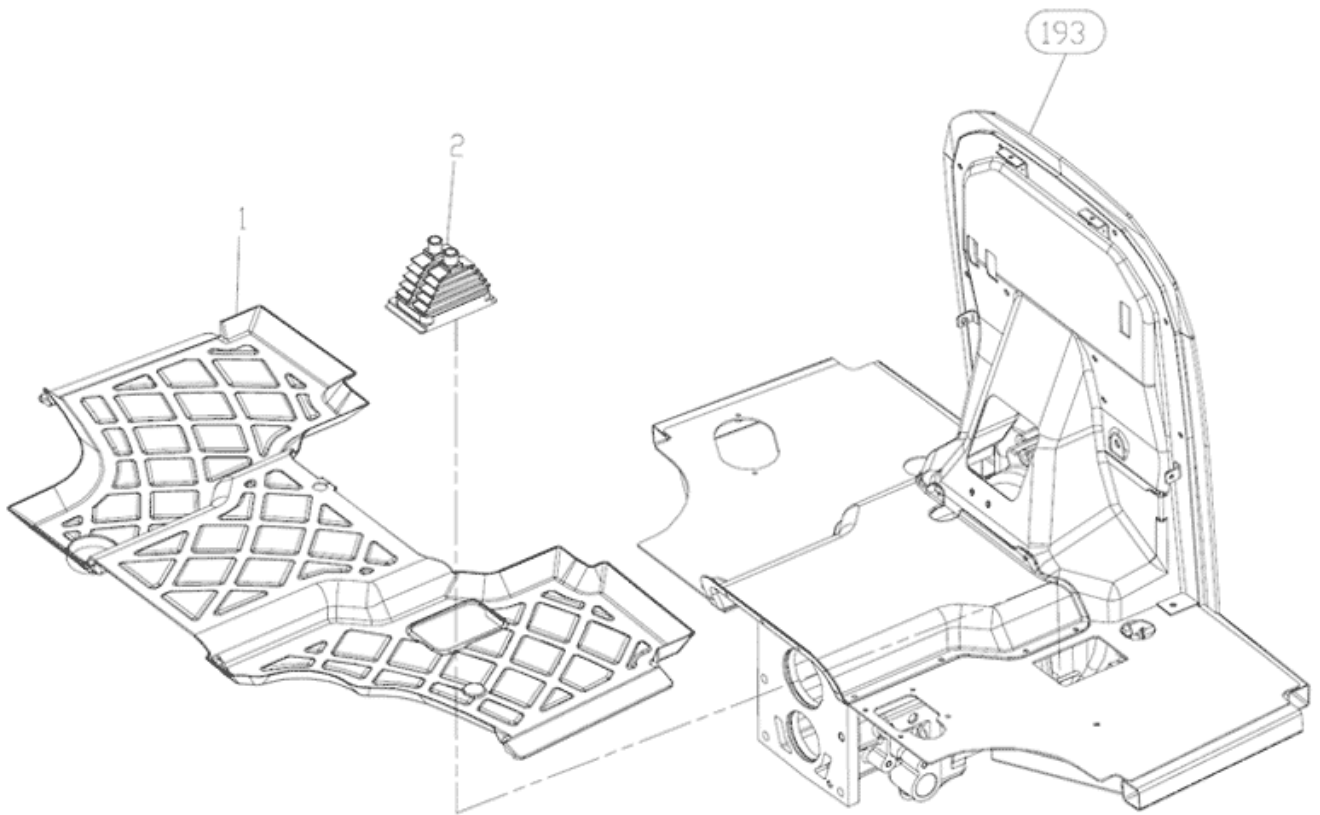
FIG

Branson 6225Ch(EU)  
\_EN(AC01282)

FOOT REST ASS'Y

Year/Month

2021-01





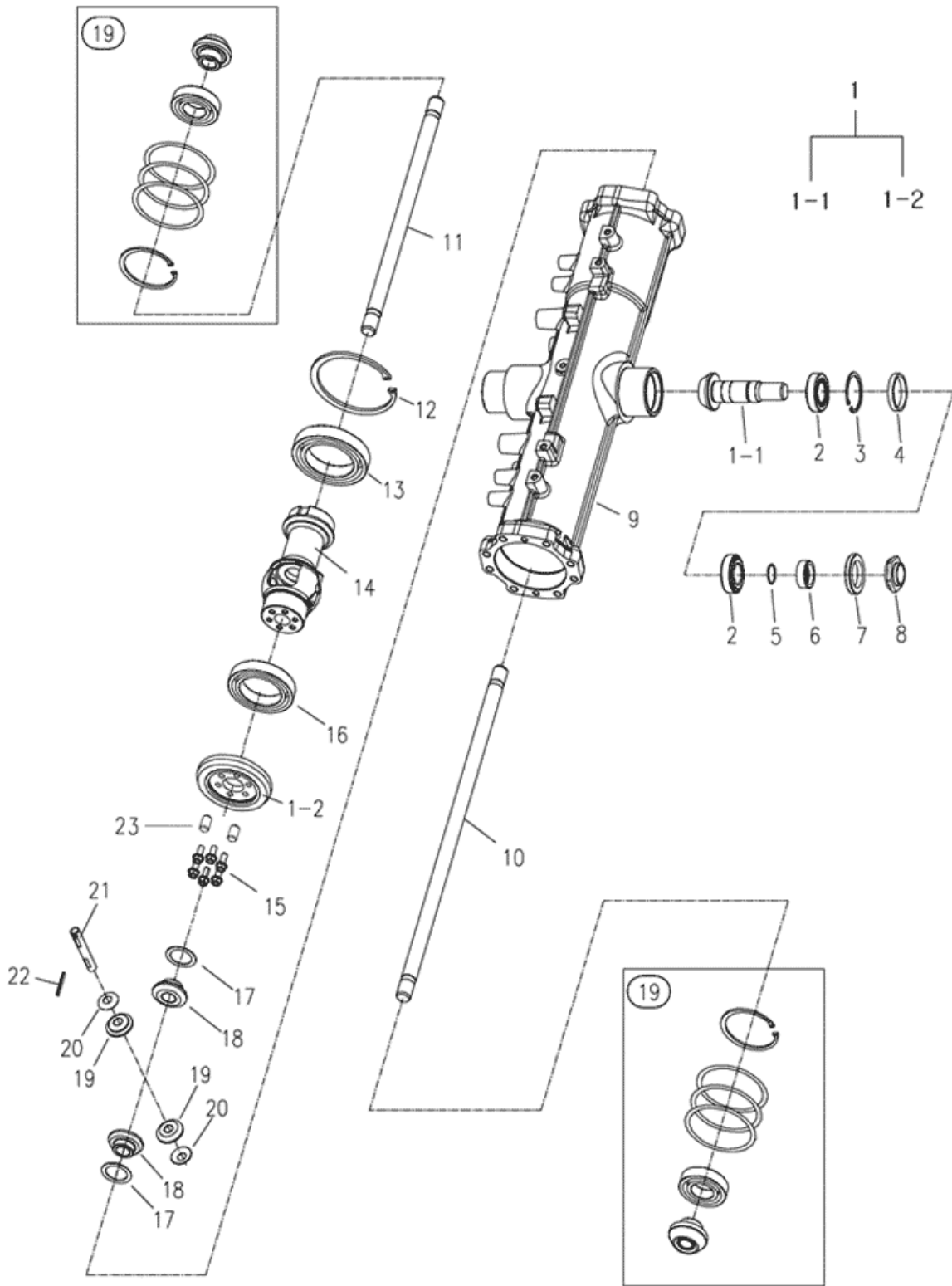
FIG

Branson 6225Ch(EU)  
\_EN(AC01282)

RING GEAR, DIFFERENTIAL GEAR

Year/Month

2021-01





FIG

Branson 6225Ch(EU)  
\_EN(AC01282)

# FUEL TANK

Year/Month

2021-01

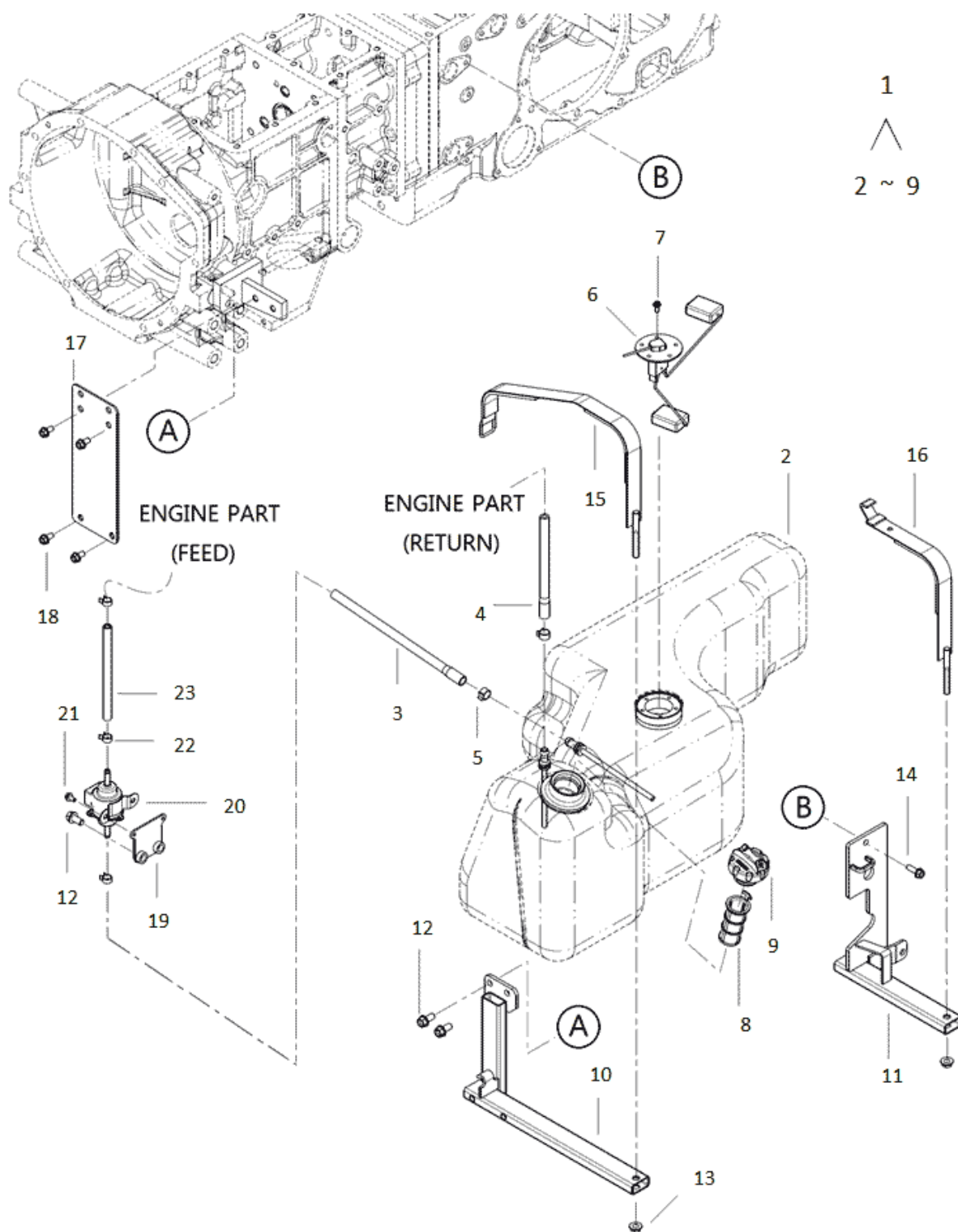


FIG		FUEL TANK			Year/Month
Branson 6225Ch(EU) _EN(AC01282)					2021-01
KeyNo.	Part Number	Description	Quantity	Other	
1	TA00037917B	FUEL TANK ASS'Y	1		
1	TA00037917B	FUEL TANK ASS'Y	1		
1	TA00037917C	FUEL TANK ASS'Y	1		
2	TA00035291B	FUEL TANK ASSY	1		
2	TA00035291B	FUEL TANK ASSY	1		
2	TA00035291C	FUEL TANK ASSY	1		
2	TA00035291D	FUEL TANK ASSY	1		
3	TA00036178C	FUEL LINE(1000)	1		
3	TA00036178B	FUEL LINE(1000)	1		
3	TA00036178C	FUEL LINE(1000)	1		
4	TA00036175C	FUEL LINE(1100)	1		
4	TA00036175B	FUEL LINE(1100)	1		
4	TA00036175C	FUEL LINE(1100)	1		
5	23080-015000	Clamp, Hose (Φ15)	2		
6	HA00000855A	FUEL SENSOR	1		
7	26106-050142	HEX FLANGE BOLT (5-14)	5		
8	TA00027741A	FILTER STRAINER	1		
9	TA00037880A	FUEL CAP	1		
10	TA00035817E	TANK SUPPORT, FRONT	1		
10	TA00035817C	TANK SUPPORT ASSY	1		
10	TA00035817D	TANK SUPPORT ASSY	1		
10	TA00035817E	TANK SUPPORT, FRONT	1		
10	TA00035817F	FUEL TANK SUPPORT ASS'Y	1		
11	TA00035819C	FUEL TANK REAR SUPPROT	1		
11	TA00035819B	FUEL TANK REAR SUPPROT	1		
11	TA00035819C	FUEL TANK REAR SUPPROT	1		
11	TA00035819D	FUEL TANK REAR SUPPORT	1		
12	26106-100202	HEX BOLT, (10-20)	6		
13	26367-100002	NUT,HEXAGONFLANGE	2		
14	26106-080252	SCREW,HEXFLANGEHEADCAP	1		
15	TA00035957E	FRONT BAND ASSY	1		
15	TA00035957B	FRONT BAND ASSY	1		
15	TA00035957C	FRONT BAND ASSY	1		
15	TA00035957D	FRONT BAND ASSY	1		
15	TA00035957E	FRONT BAND ASSY	1		
16	TA00035974E	BAND REAR ASSY	1		
16	TA00035974B	BAND REAR ASSY	1		
16	TA00035974C	BAND REAR ASSY	1		
16	TA00035974D	FUEL TANK BAND, REAR	1		
16	TA00035974E	BAND REAR ASSY	1		
17	TA00035811C	COVER	1		
17	TA00035811B	COVER	1		
17	TA00035811C	COVER	1		
18	26106-080162	SCREW,HEXFLANGEHEADCAP	4		
19	TC51420000B	STAY ASS'Y(PUMP)	1		





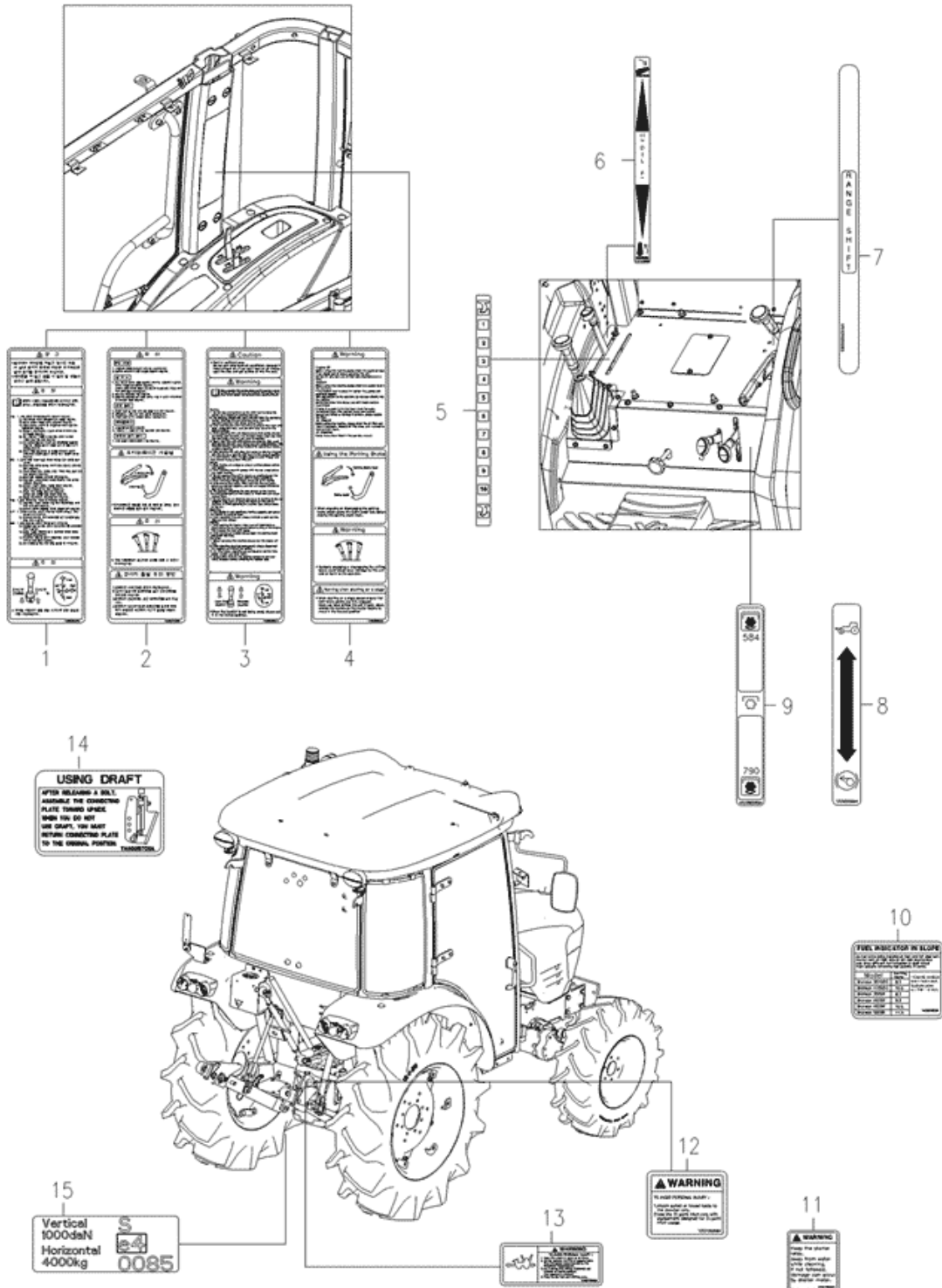
FIG

Branson 6225Ch(EU)  
\_EN(AC01282)

NAME PLATE

Year/Month

2021-01





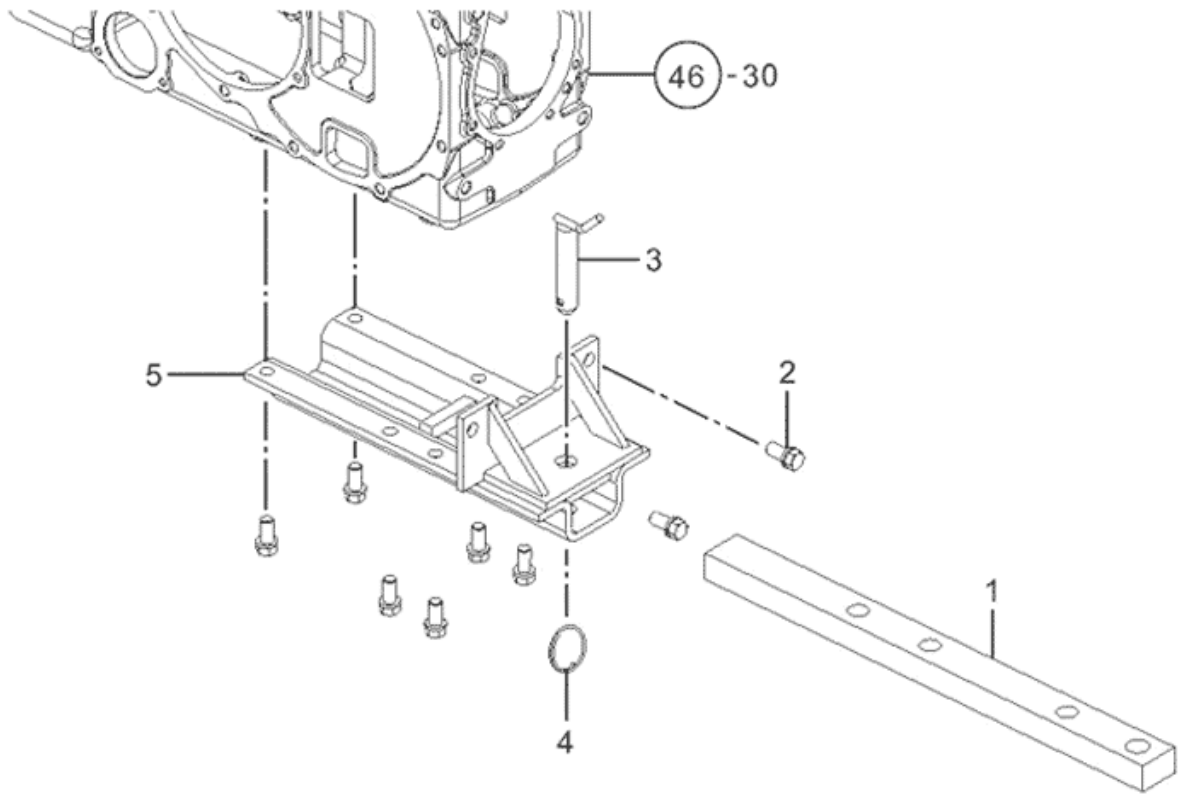
FIG

Branson 6225Ch(EU)  
\_EN(AC01282)

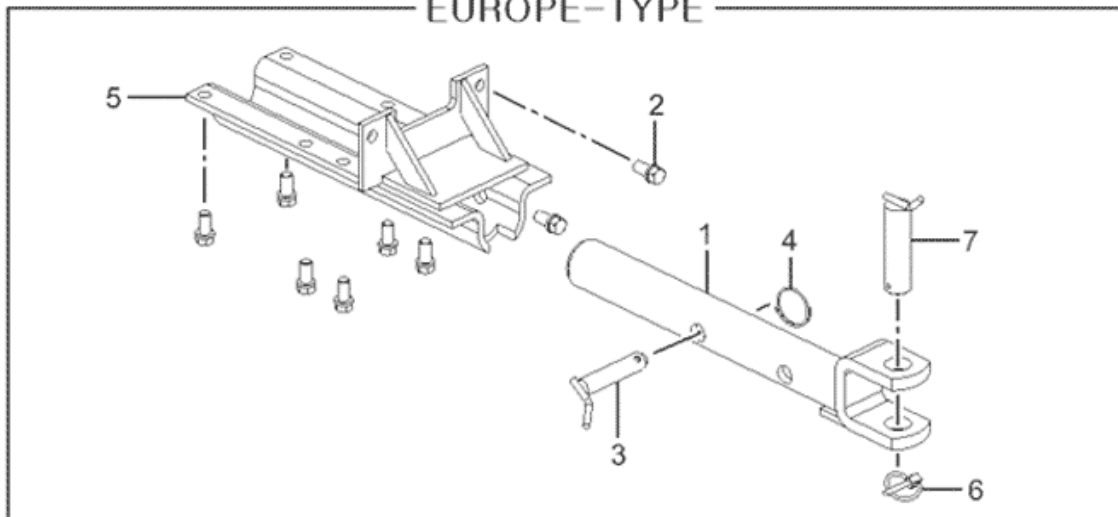
DRAWBAR HITCH

Year/Month

2021-01



EUROPE-TYPE





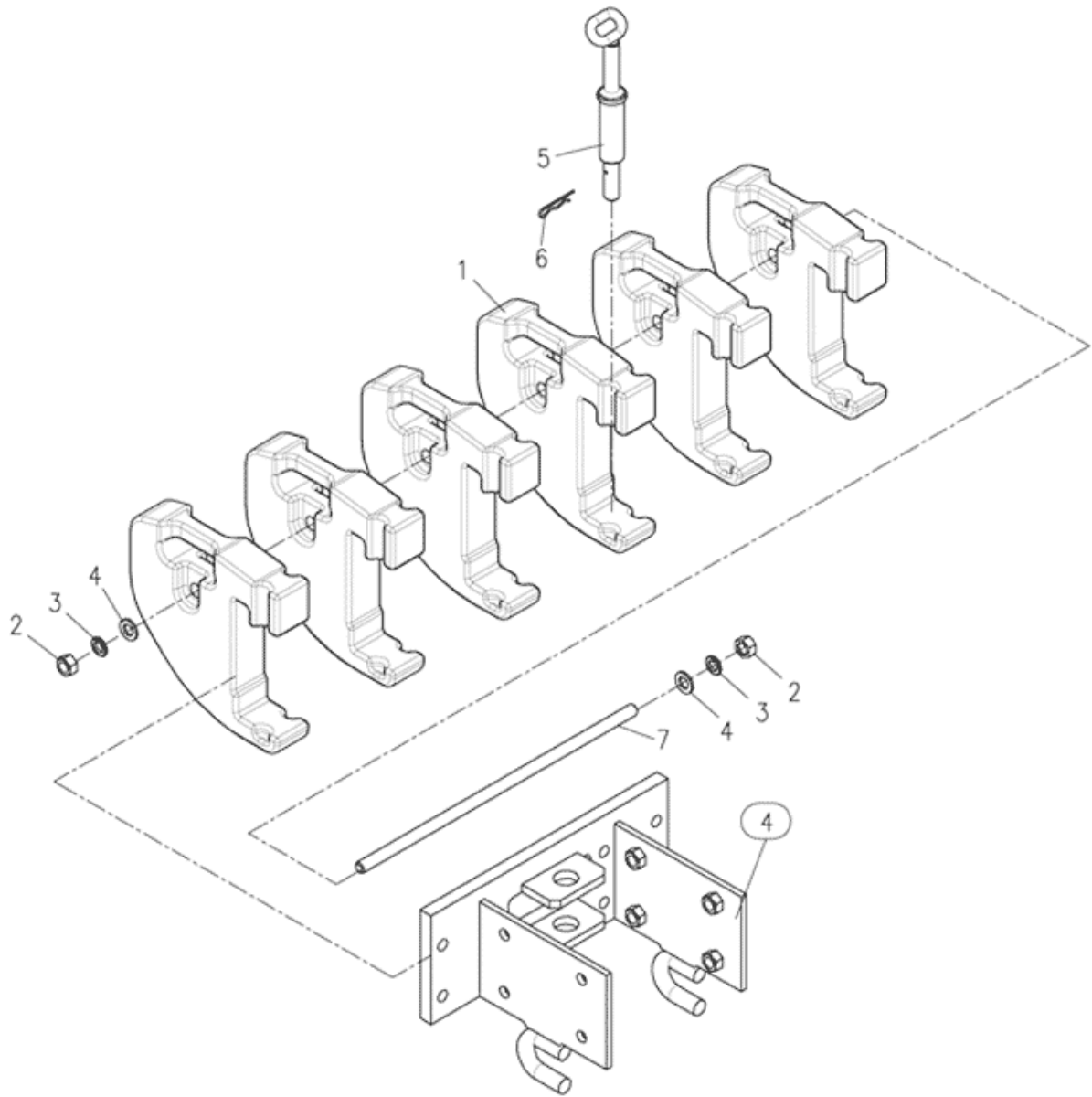
FIG

Branson 6225Ch(EU)  
\_EN(AC01282)

FRONT WEIGHT

Year/Month

2021-01





FIG

Branson 6225Ch(EU)  
\_EN(AC01282)

### 4PORT ASS'Y

Year/Month

2021-01

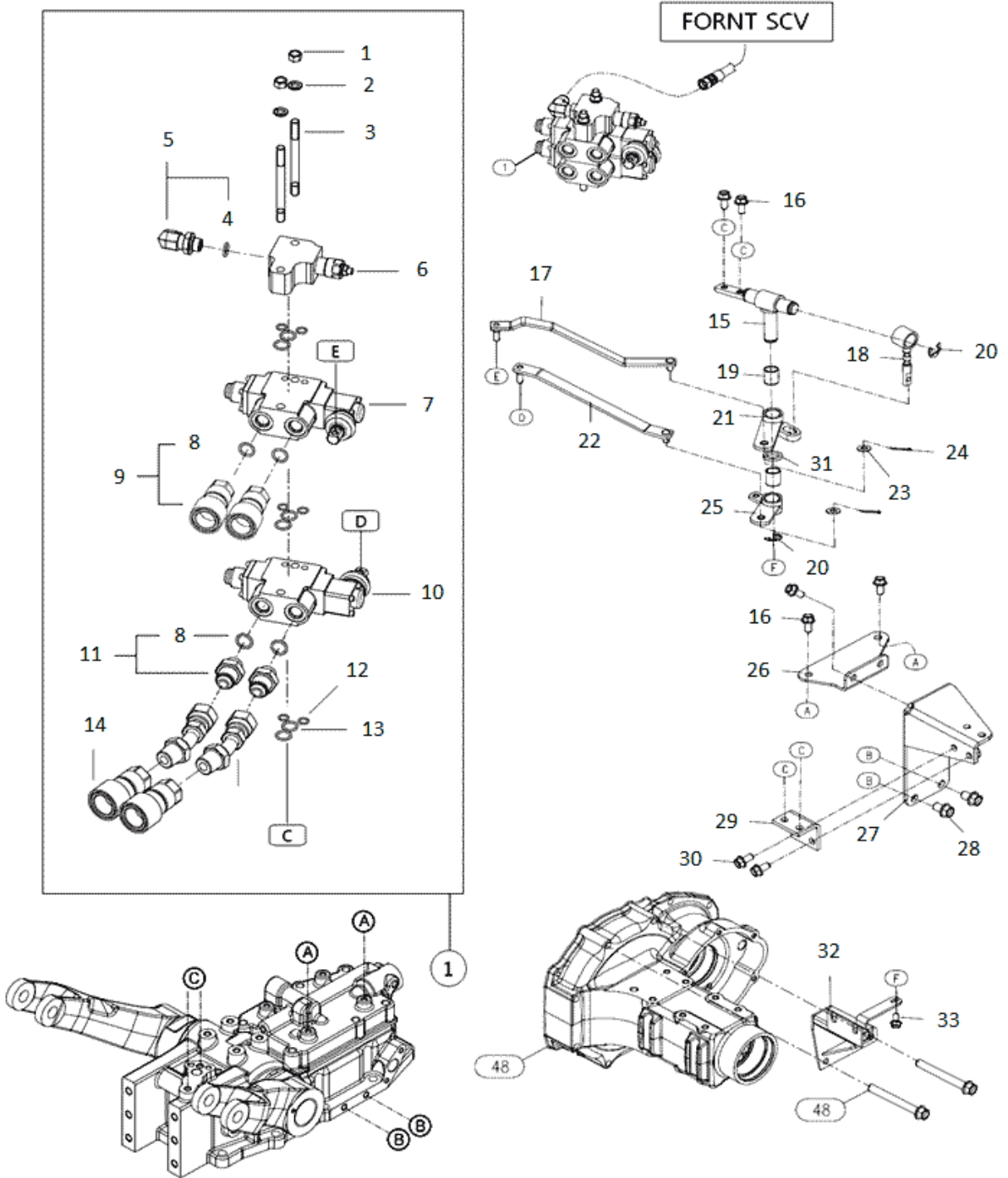


FIG		4PORT ASS'Y			Year/Month
Branson 6225Ch(EU) _EN(AC01282)					2021-01
KeyNo.	Part Number	Description	Quantity	Other	
1	26716-100002	Nut, Hexa (Φ10)	2		
2	22217-100000	WASHER, SPRING (Φ 10)	2		
3	TA00034089A	BOLT	2		
3	TA00034089B	BOLT	2		
4	24311-000140	O-RING, DYNAMIC (Φ14)	1		
5	TA00035078A	ELBOW	1		
5	TA00035078B	ELBOW	1		
6	TA00033977A	COVER RELIEF	1		
6	TA00033977B	COVER RELIEF	1		
7	TA00037393A	SCV2(D)	1		
8	24311-000160	O-RING, DYNAMIC (Φ16)	4		
9	TA00043300A	QUICK COUPLUNG(1/2")	2		
9	TA00043300B	QUICK COUPLUNG(1/2")	2		
10	TA00028226A	REAR SCV 1	1		
10	TA00028226B	SCV	1		
11	TA00042245A	ADAPTER	2		
11	TA00042245B	ADAPTER	2		
11	TA00042245C	ADAPTER	2		
12	24311-000100	O-RING, DYNAMIC (Φ10)	6		
13	24311-000160	O-RING, DYNAMIC (Φ16)	6		
14	FBA3060000A4	ADAPTER (1/2")	2		
14	FBA3060000B4	"JOINT(1/2""")	2		
15	TA00034042A	SHAFT ASS'Y	1		
15	TA00034042B	SHAFT ASS'Y	1		
15	TA00034042C	SHAFT ASS'Y	1		
15	TA00034042D	SHAFT ASS'Y	1		
16	26106-080162	SCREW,HEXFLANGEHEADCAP	4		
17	TA00034039A	LINK 2 ASS'Y	1		
18	TA00036917A	SCV_ROD_B	1		
18	TA00036917B	SCV_ROD_B	1		
18	TA00036917C	SCV_ROD_B	1		
19	24550-016200	DRY BUSH 16X20	2		
20	22272-000120	RING, CIRCLIP (Φ 12)	3		
21	TA00037361A	BOSS_A_ASS'Y	1		
21	TA00037361B	BOSS_A_ASS'Y	1		
21	TA00037361C	BOSS_A_ASS'Y	1		
22	TA00034019A	LINK 1 ASS'Y	1		
22	TA00034019B	LINK 1 ASS'Y	1		
23	22137-080000	WASHER, PLAIN (Φ 08)	4		
24	22417-200200	PIN , COTTER (2-20)	4		
25	TA00037363A	BOSS_B_ASSY	1		
25	TA00037363B	BOSS_B_ASSY	1		
25	TA00037363C	BOSS_B_ASSY	1		
26	TA00036443B	BRACKET	1		
26	TA00036443C	BRACKET	1		





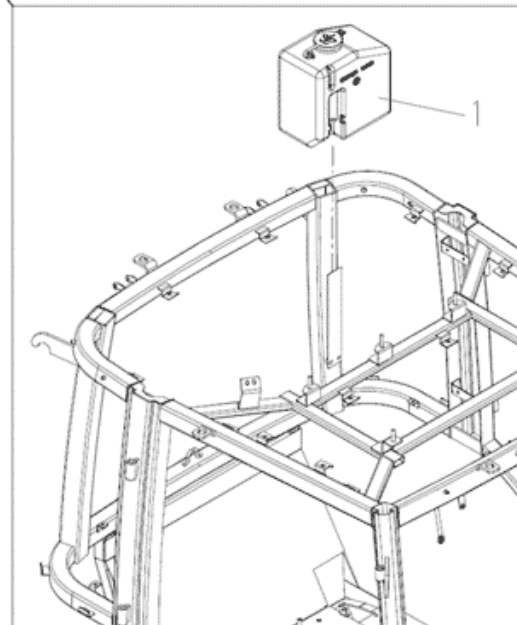
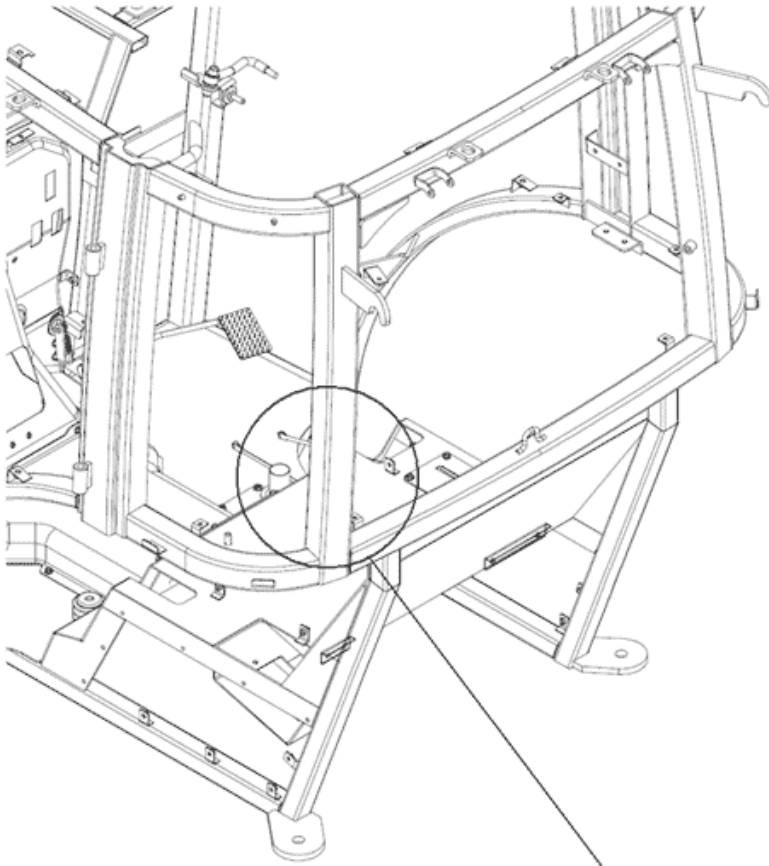
FIG

Branson 6225Ch(EU)  
\_EN(AC01282)

NUMBER PLATE

Year/Month

2021-01





FIG

Branson 6225Ch(EU)  
\_EN(AC01282)

GEAR CASE, FRONT AXLE

Year/Month

2021-01

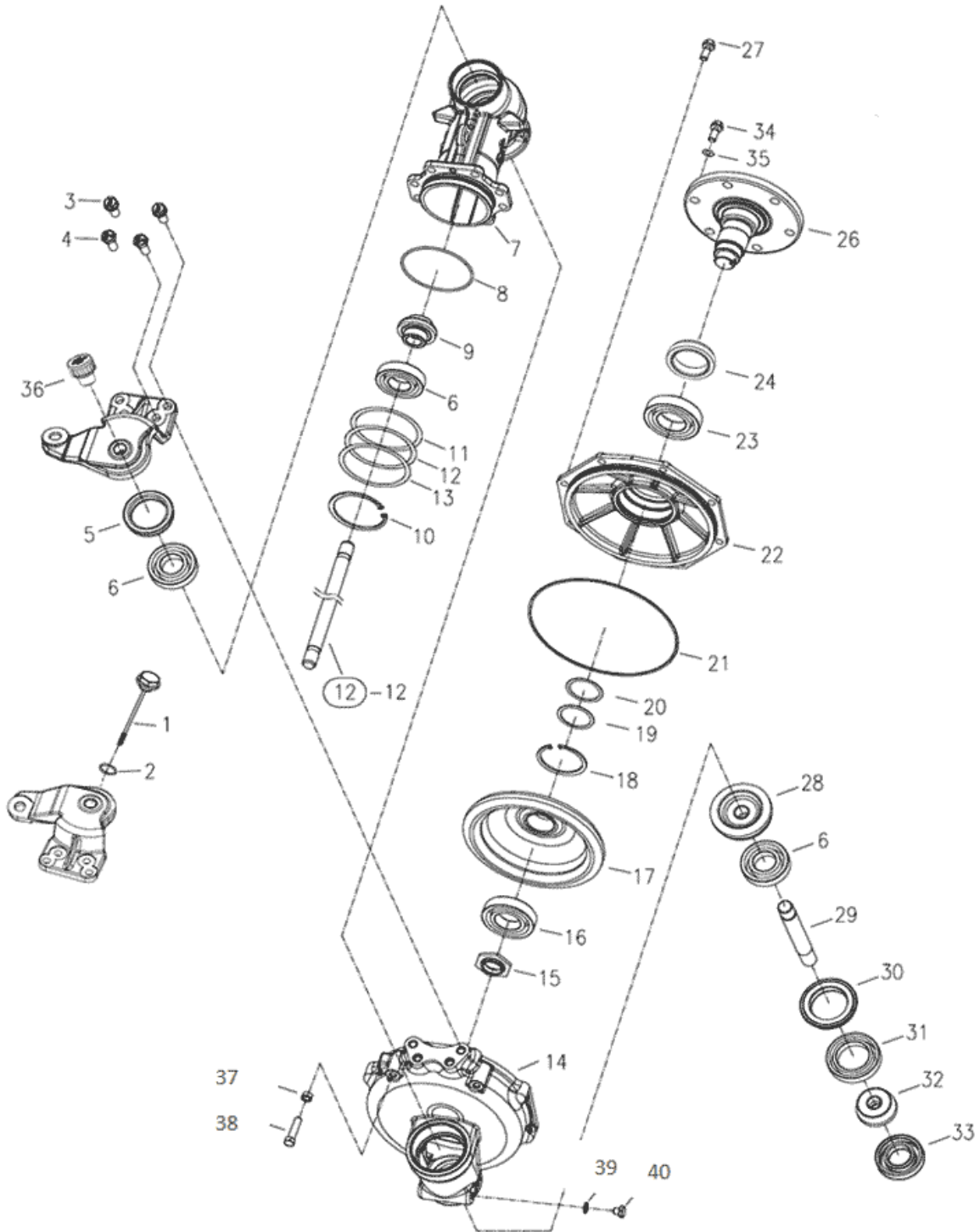


FIG		GEAR CASE, FRONT AXLE			Year/Month
Branson 6225Ch(EU) _EN(AC01282)					2021-01
KeyNo.	Part Number	Description	Quantity	Other	
1	TA00033805A	OIL GUAGE	1		
1.20	TA00041646A	DIP STICK	1		
2	24311-000220	O-RING, DYNAMIC (Φ22)	2		
3	TA00033468B	BOLT W/ WASHER	4		
3	TA00033468B	BOLT W/ WASHER	4		
3	TA00033468C	BOLT W/ WASHER	4		
4	TA00033475A	RIMER BOLT	4		
4	TA00033475B	SPACER	4		
5	FE78010000A	SEAL,OIL -> FE78010000B	2		
5	FE78010000B	OIL SEAL (55X72X13.5)	2		
6	24101-062074	BALL BEARING (#6207)	6		
7	TA00033457B	CASE, FRONT GEAR	2		
7	TA00033457B	CASE, FRONT GEAR	2		
7	TA00033457C	CASE, FRONT GEAR	2		
7	-	HOUSING FRONT GEAR	2		
7.20	TA00041533A	HOUSING FRONT GEAR	2		
8	24321-001050	O-RING	2		
9	TA00033461A	PINION, FRONT 1ST SHAFT	2		
10	22252-000720	RING, CIRCLIP (Φ 72)	2		
11	TA00033489A	SHIM 0.2T	2		
12	TA00033488A	SHIM 0.3T	2		
13	TA00033487A	SHIM 0.5T	2		
14	TA00033458B	GEAR BOX, FRONT	2		
14	TA00033458B	GEAR BOX, FRONT	2		
15	TA00033481A	LOCK NUT	2		
16	24101-062084	Bearing, Ball (#6208)	2		
17	TA00033474A	GEAR, BEVEL 49T	2		
18	22252-000850	RING, CIRCLIP (Φ 85)	2		
19	TA00033486A	SHIM 0.2T	1		
20	TA00033485A	SHIM 0.5T	1		
21	TA00033939A	O RING	2		
22	TA00033459A	BEARING CASE, FRONT	1		
22	TA00033459B	BEARING CASE, FRONT	1		
23	24101-062094	BALL BEARING (#6209)	2		
24	TA00041352A	OILSEAL (AO26 TYPE)	2		
26	TA00033460A	SPINDLE, FRONT	2		
26	TA00033460B	SPINDLE, FRONT	2		
27	TA00033469A	BOLT W/ WASHER	16		
27	TA00033469B	BOLT W/ WASHER	16		
28	TA00033463A	FRONT 2ND AXLE LH	2		
29	TA00033464A	FRONT 2ND SHAFT	2		
30	TC60110000A3	SEAL	2		
31	24101-060104	Bearing, Ball (#6010)	2		
32	TA00033473A	GEAR, BEVEL 11T	2		
33	TC60340000A4	BEARING(TM207C3)	2		



FIG

Branson 6225Ch(EU)  
\_EN(AC01282)

CABIN FREAM ASS'Y

Year/Month

2021-01

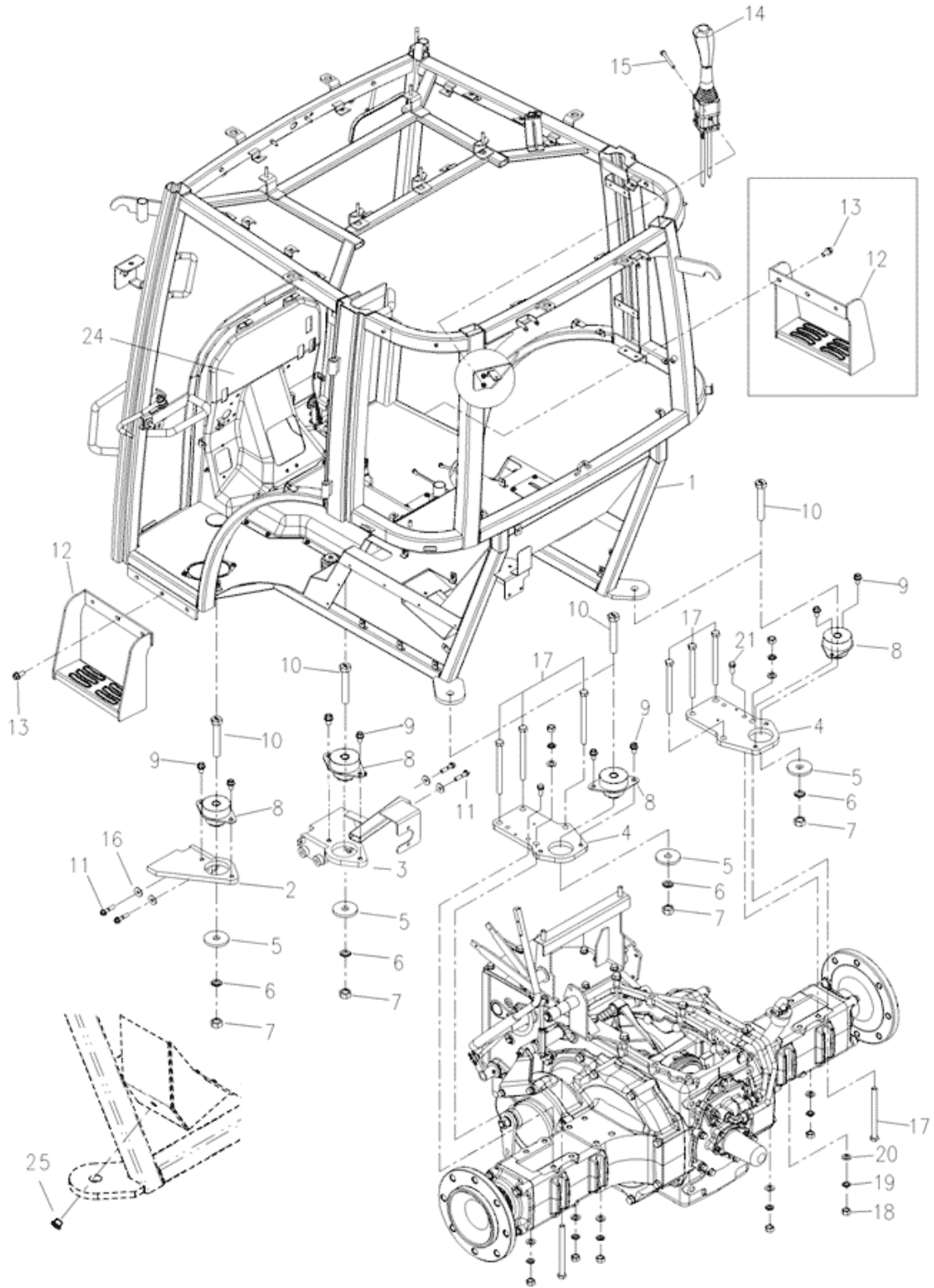


FIG		CABIN FREAM ASS'Y			Year/Month
Branson 6225Ch(EU) _EN(AC01282)					2021-01
KeyNo.	Part Number	Description	Quantity	Other	
1	TA00028800C	HST CABIN FRAME ASS'Y	1		
1	TA00028800B	HST CABIN FRAME ASS'Y	1		
1	TA00028800C	HST CABIN FRAME ASS'Y	1		
1	TA00028800D	HST CABIN FRAME ASS'Y	1		
1	TA00028800E	HST CABIN FRAME ASS'Y	1		
1	TA00028800F	HST CABIN FRAME ASS'Y	1		
2	TA00035953A	SUPPORT ASSY	1		
3	TA00044856B	BRACKET, FRONT(R)	1		
3	TA00044856B	BRACKET, FRONT(R)	1		
4	TA00027276A	BRACKET REAR	2		
4	TA00027276B	BRACKET REAR	2		
5	TH51050000A4	WASHER	4		
5	TH51050000B4	WASHER	4		
6	22217-200000	WASHER, SPRING (Φ 20)	4		
7	26716-200002	NUT	4		
8	TA00017825A	CUSHION RUBBER -> TA00017825B	4		
9	26106-120202	BOLT	8		
10	FTK1320000A4	BOLT	4		
10	FTK1320000B4	BOLT	4		
11	CA00001686A	BOLT HEXAGON M10X45	4		
12	TA00028614A	SUB STEP (20C SERIES) -> TA00028614B	2		
12	TA00028614B	SUB STEP (20C SERIES)	2		
12	TA00028614C	SUB STEP ASS'Y	2		
13	26106-120252	HEX FLANGE BOLT	6		
14	TA00038660A	JOY-STICK ASS'Y	1		
15	26106-080802	SCREW,HEXFLANGEHEADCAP	2		
16	22217-10000	SPRING WASHER	4		
17	TTF8170000A	BOLT	8		
17	TTF8170000B4	BOLT	8		
18	26716-160002	NUT	8		
19	22217-160000	WASHER, SPRING (Φ 16)	8		
20	22137-160000	WASHER, PLAIN (Φ 16)	8		
20	-	PLAIN WASHER	8		
21	26013-120322	HEX BOLT W/WASHER	4		
22	TA00035126A	JOY-STICK	1		
23	TA00038396A	JOY-STICK CABLE	1		
24	TA00028798E	HST HEAT INSULATOR ASS'Y	1		
24	TA00028798B	HST HEAT INSULATOR ASS'Y	1		
24	TA00028798C	HST HEAT INSULATOR ASS'Y	1		
24	TA00028798D	HST HEAT INSULATOR ASS'Y	1		
24	TA00028798E	HST HEAT INSULATOR ASS'Y	1		
24	TA00028798F	HST HEAT INSULATOR ASS'Y	1		
24	TA00028798G	HST HEAT INSULATOR ASS'Y	1		



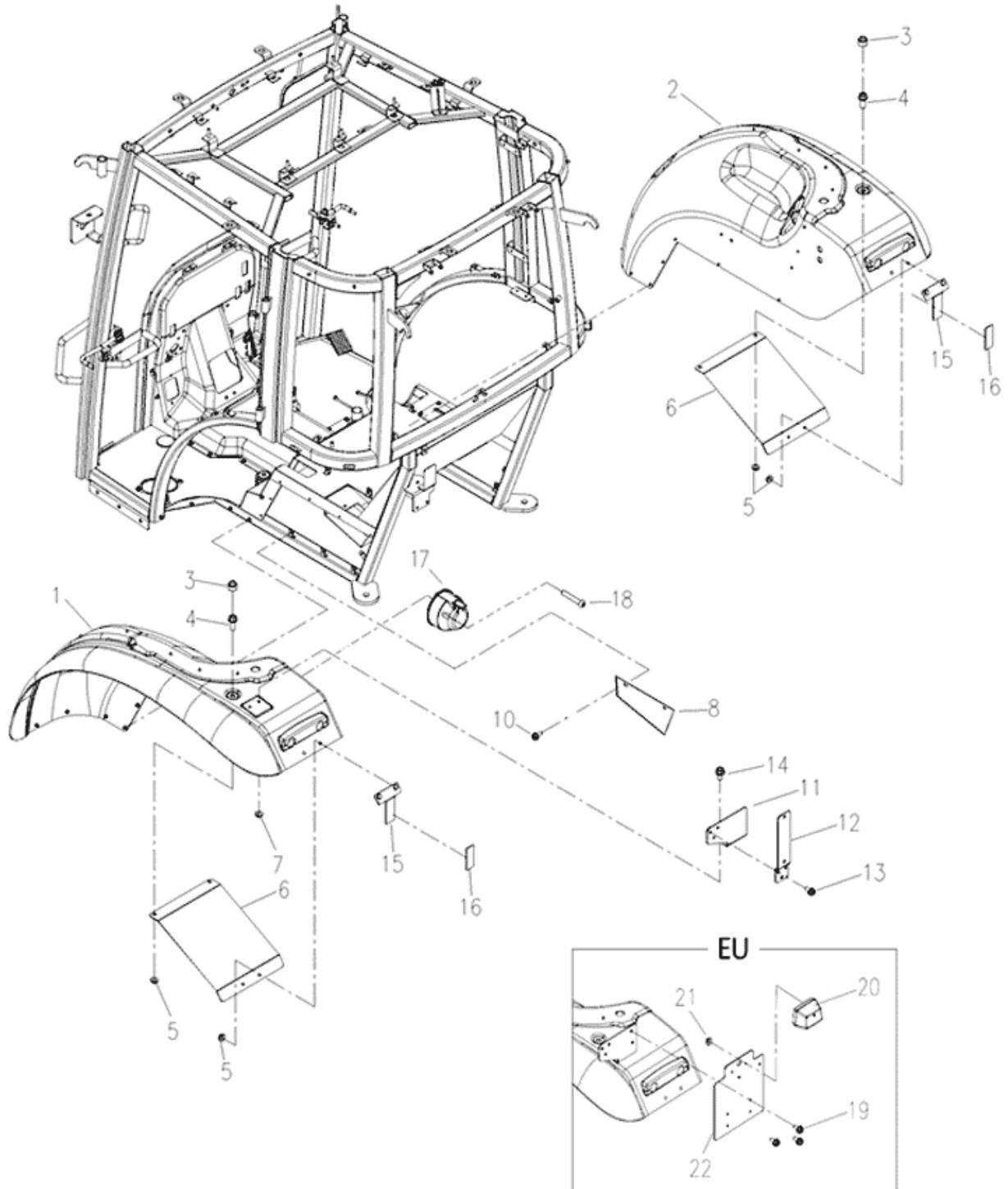
FIG

Branson 6225Ch(EU)  
\_EN(AC01282)

FENDER ASS'Y

Year/Month

2021-01





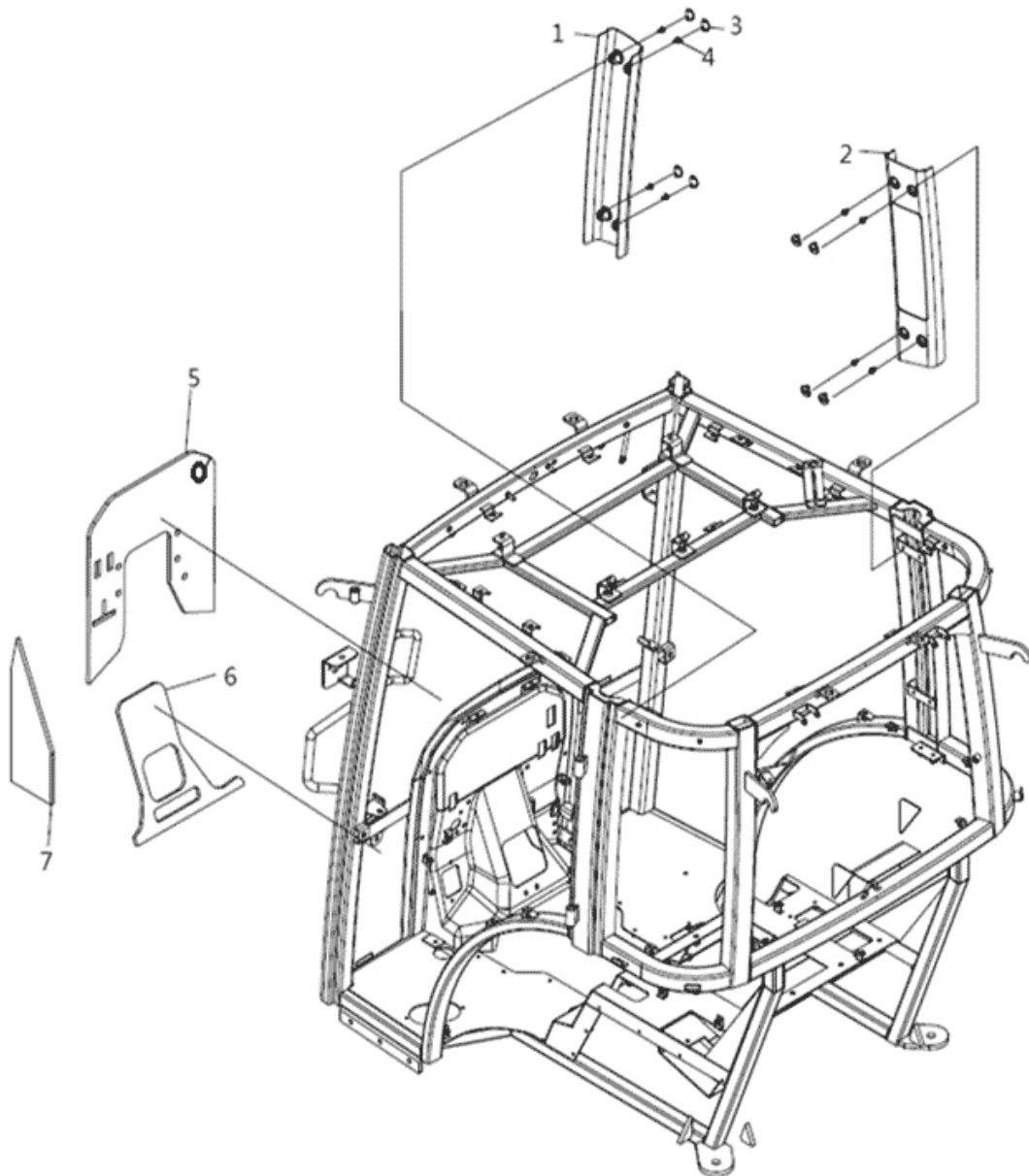
FIG

Branson 6225Ch(EU)  
\_EN(AC01282)

PILLAR COVER ASS'Y

Year/Month

2021-01





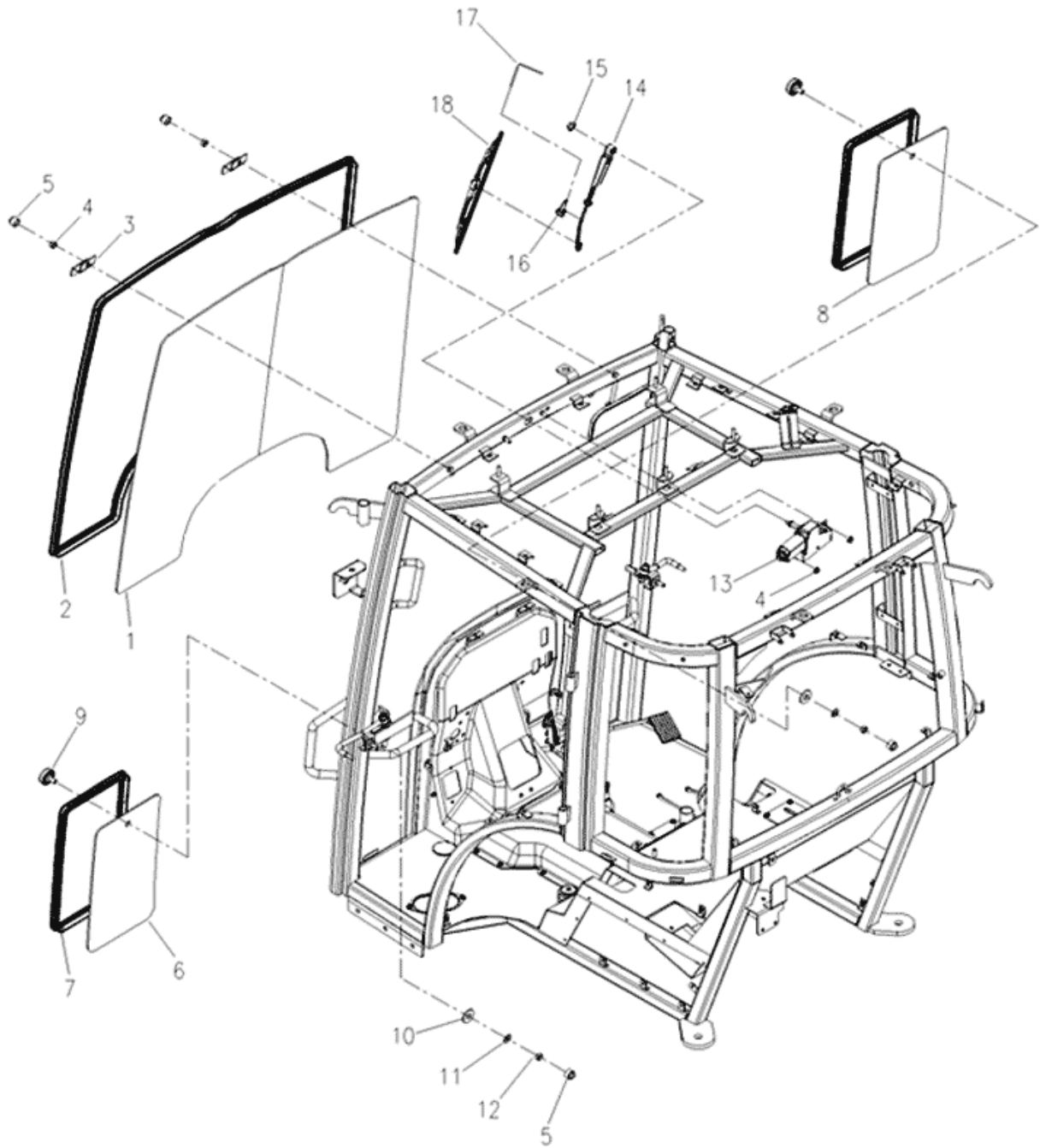
FIG

Branson 6225Ch(EU)  
\_EN(AC01282)

FRONT WINDOWS ASS'Y

Year/Month

2021-01





FIG

Branson 6225Ch(EU)  
\_EN(AC01282)

DOOR ASS'Y

Year/Month

2021-01

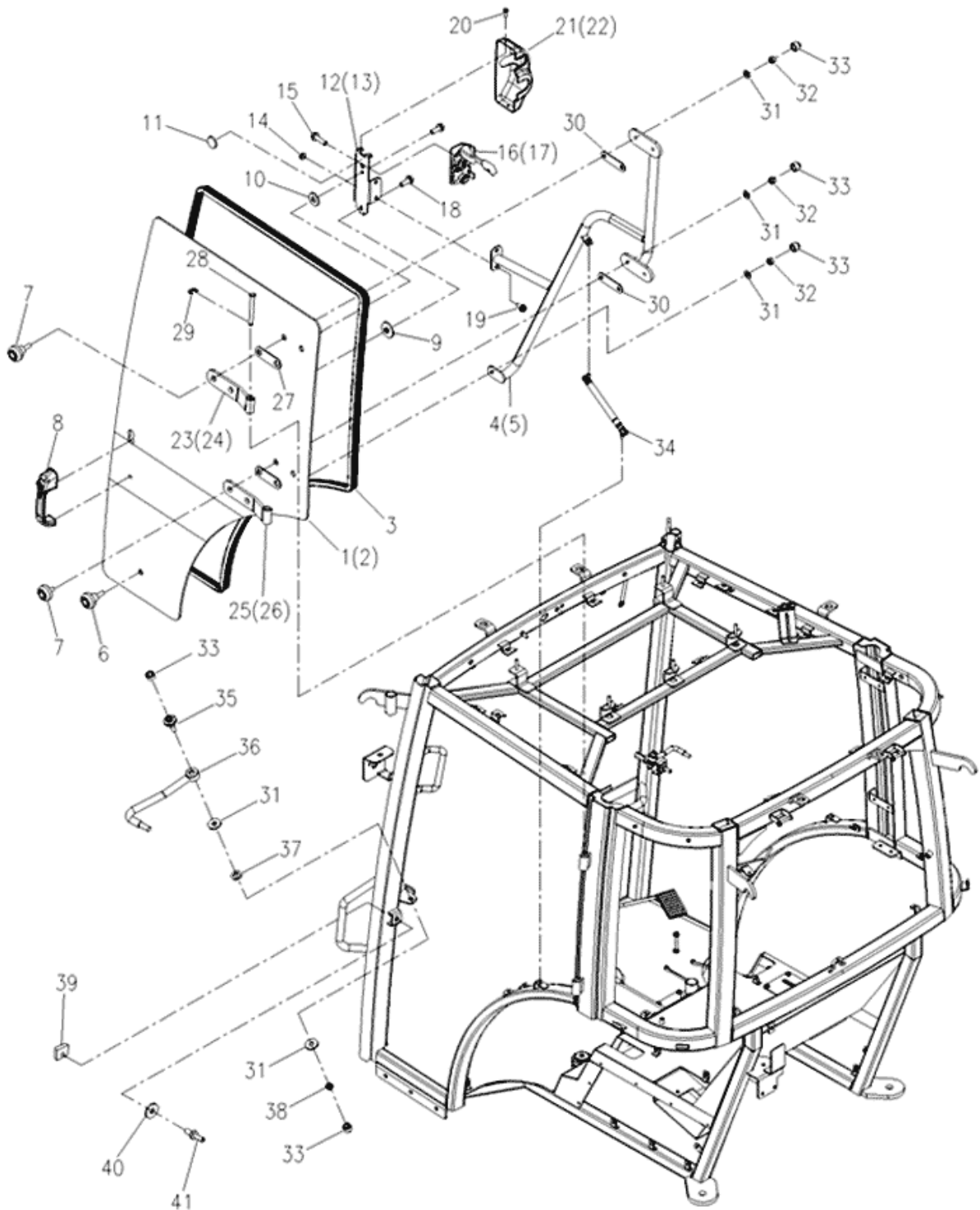


FIG		DOOR ASS'Y			Year/Month
Branson 6225Ch(EU) _EN(AC01282)					2021-01
KeyNo.	Part Number	Description	Quantity	Other	
1	TA00028728A	WINDOW (LH), DOOR (20C SERIES)	1		
2	TA00028729A	WINDOW (RH), DOOR (20C SERIES)	1		
3	TA00028741A	PACKING, DOOR	2		
4	TA00028730A	FRAME ASS'Y (L) DOOR	1		
5	TA00028738A	FRAME ASS'Y (R) DOOR	1		
6	TA00020714A	CUSHION BOLT -> THA4903000A9	2		
7	26117-080402	BOLT	8		
8	TA00028743A	HANDLE ASS'Y	2		
9	TA00029055A	PACKING A	2		
10	TA00029056A	PACKING B	2		
11	TA00029057A	PACKING C	2		
12	TA00028745A	RATCH (L) DOOR ASS'Y	1		
13	TA00028746A	RATCH (R) DOOR ASS'Y	1		
14	26367-060002	Nut, Hexa (Φ6)	4		
15	26106-080302	HEX BOLT, FLANGE	4		
16	TA00022885B	RATCH L	1		
17	TA00022886B	RATCH R	1		
18	26116-080222	BOLT7T(8X22)	2		
19	26106-060162	HEXFLANGEBOLT	4		
20	26023-040162	SCREW	6		
21	TA00017808B	COVER, DOOR L	1		
22	TA00017806B	COVER, DOOR	1		
23	TA00028720A	HINGE UPPER (L)	1		
24	TA00028723A	HINGE UPPER (R)	1		
25	TA00028724A	HINGE LOWER (L)	1		
26	TA00028725A	HINGE LOWER (R)	1		
27	TA00028727A	PACK	4		
28	TA00020728A	FIXING PIN, DOOR	4		
29	22272-000100	RING, CIRCLIP (Φ 10)	4		
30	TA00029044A	PACKING	4		
31	22127-080000	WASHER, PLAIN (D80)	16		
32	26717-080002	NUTM8	16		
33	THA4912000A	CAP, NUT	20		
34	TA00026423A	GAS SPRING(DOOR)	2		
34.10	THA4303004A9	GAS SPRING(REAR)	2	delete	
35	TA00027355A	BOLT	2		
36	TA00028601A	DOOR LOCK ASS'Y	2		
37	TA00027356A	WASHER	2		
38	26347-080002	Unut	2		
39	TA00020155A	NUT	2		
40	TA00020156A	WASHER	2		
41	TA00020157A	BOLT	2		
42	TA00031390A	KEY, CABIN	1		



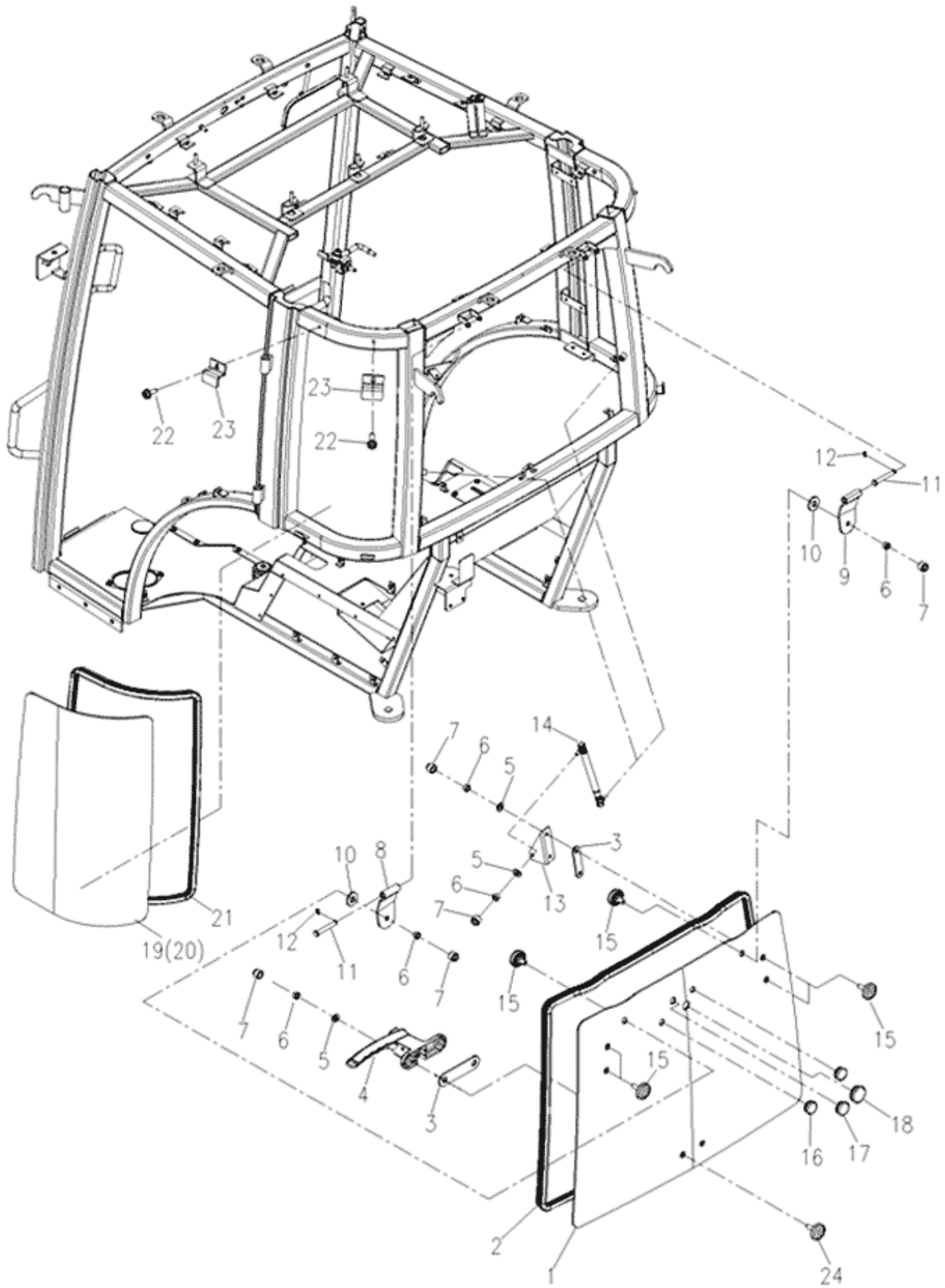
FIG

Branson 6225Ch(EU)  
\_EN(AC01282)

REAR WINDOWS ASS'Y

Year/Month

2021-01





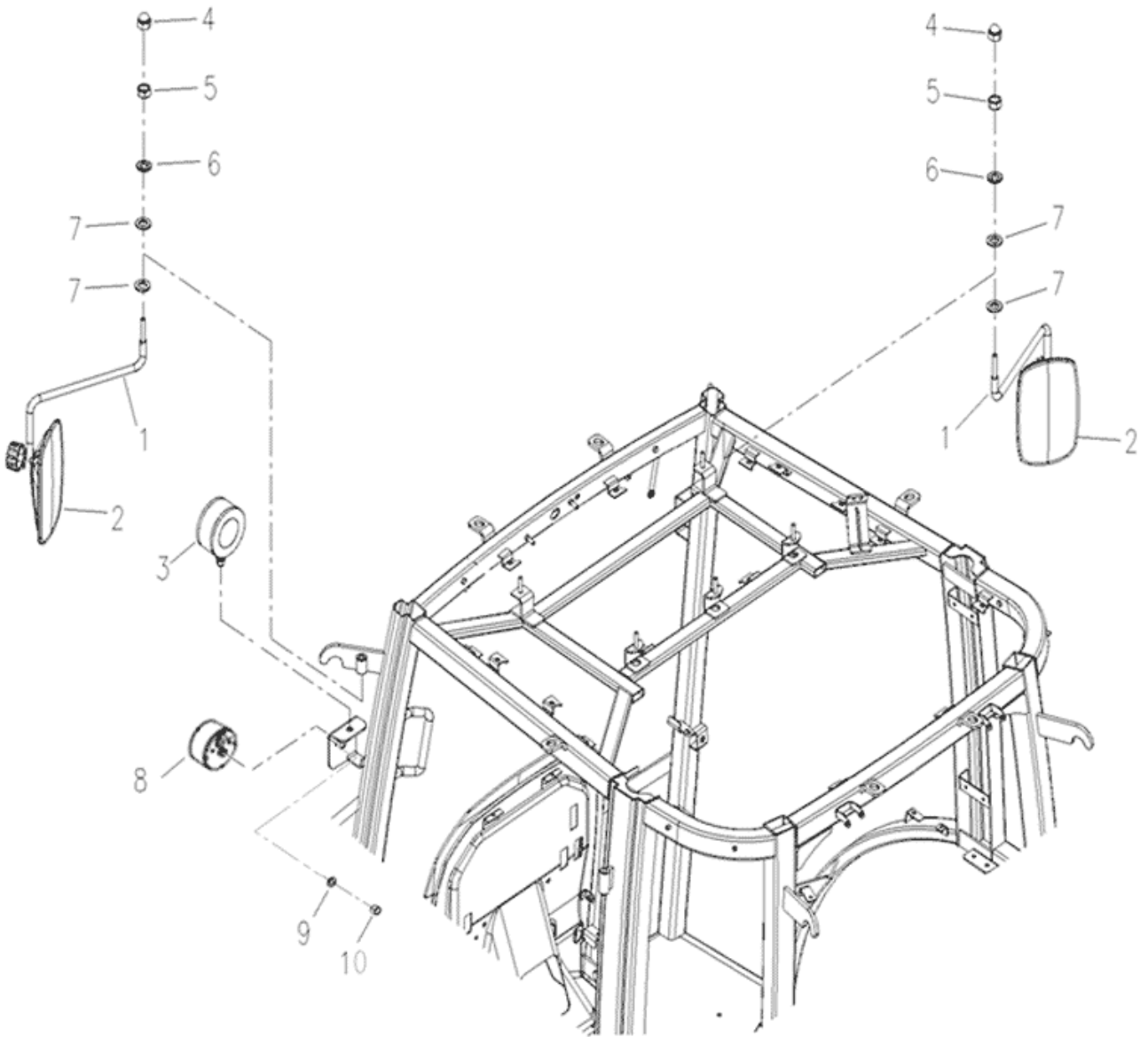
FIG

Branson 6225Ch(EU)  
\_EN(AC01282)

SIDE MIRROR ASS'Y

Year/Month

2021-01





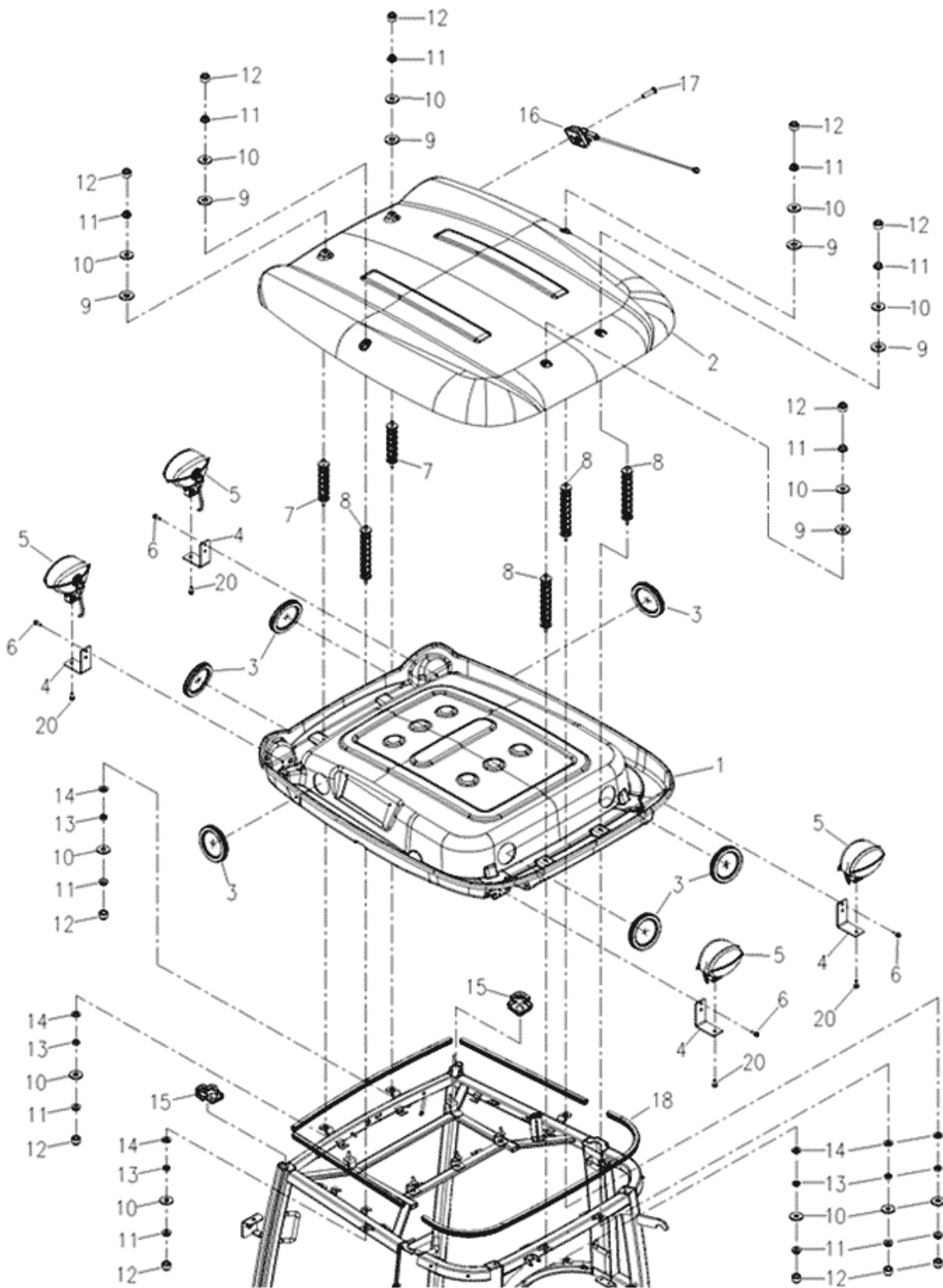
FIG

Branson 6225Ch(EU)  
\_EN(AC01282)

ROOF ASS'Y

Year/Month

2021-01





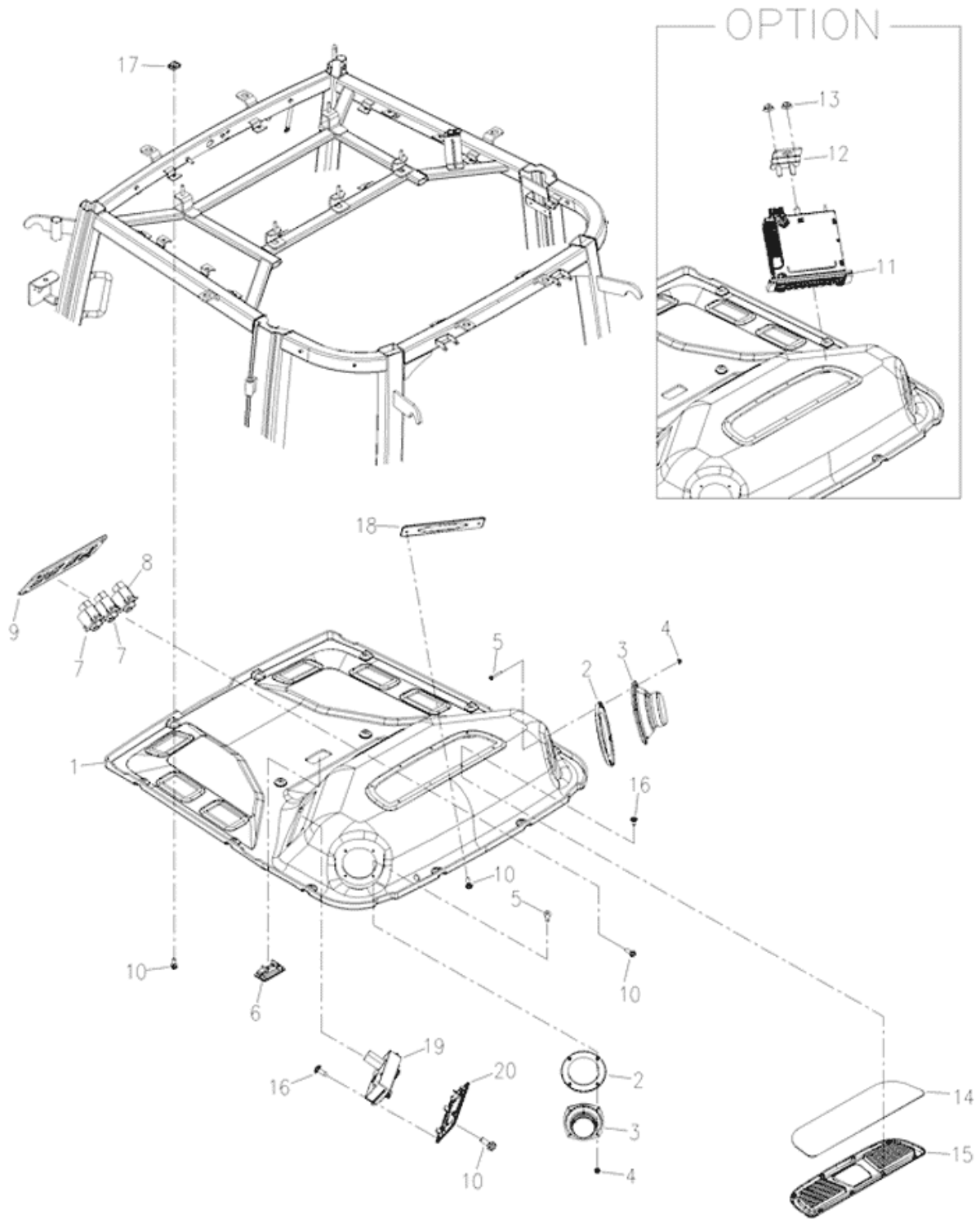
FIG

Branson 6225Ch(EU)  
\_EN(AC01282)

CEILING ASS'Y

Year/Month

2021-01







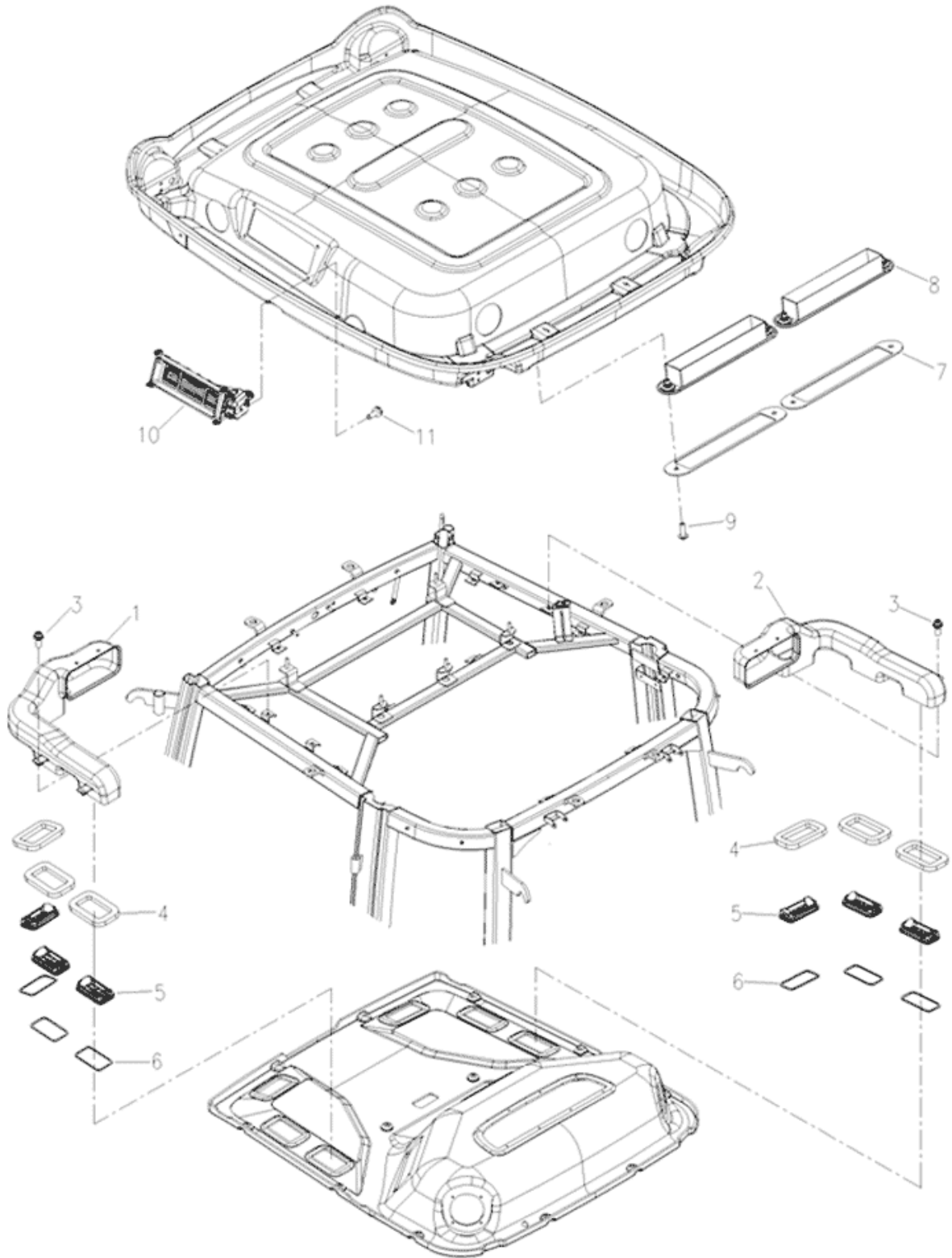
FIG

Branson 6225Ch(EU)  
\_EN(AC01282)

### A/C DUCT ASS'Y

Year/Month

2021-01





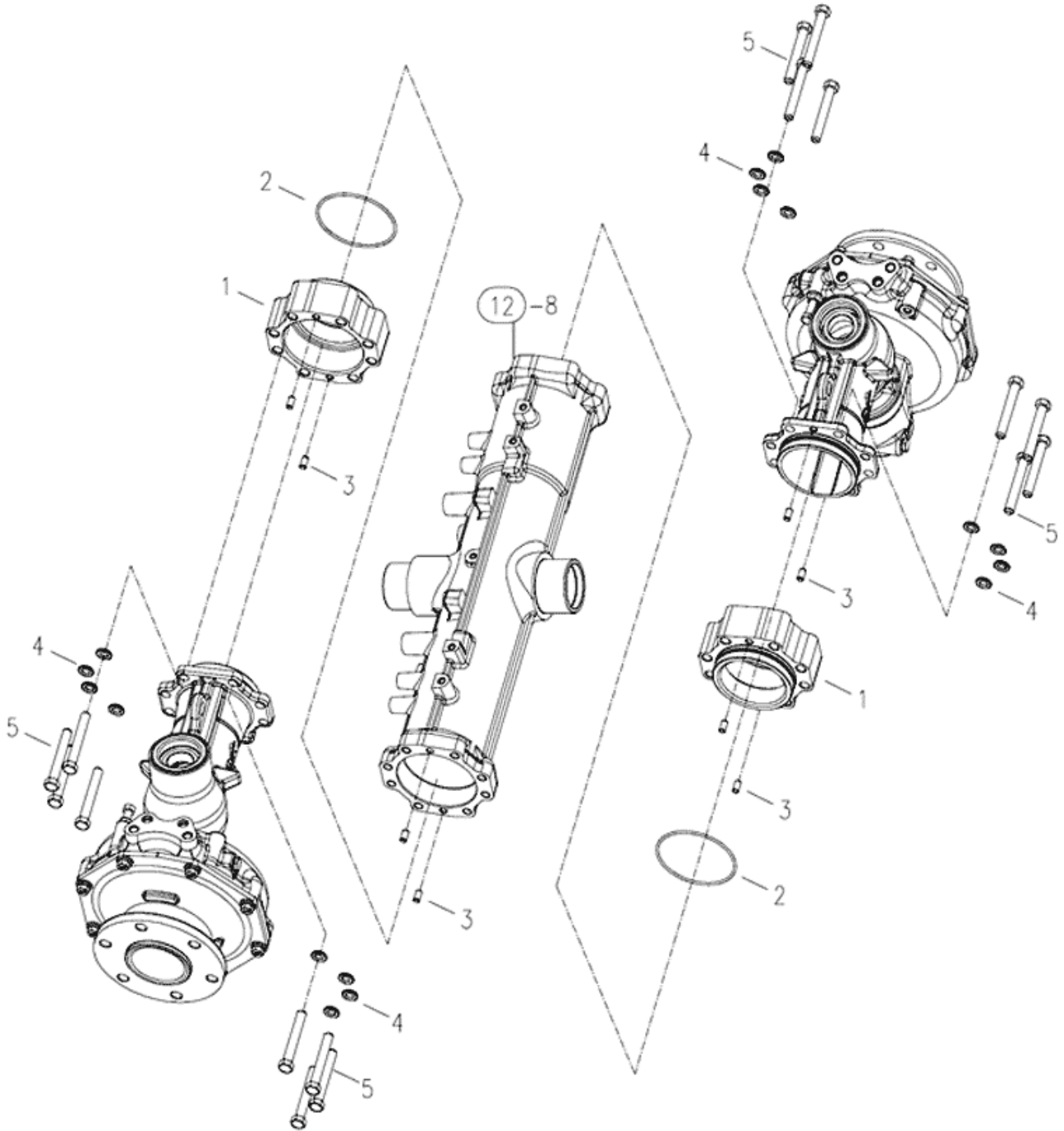
FIG

Branson 6225Ch(EU)  
\_EN(AC01282)

SPACER

Year/Month

2021-01





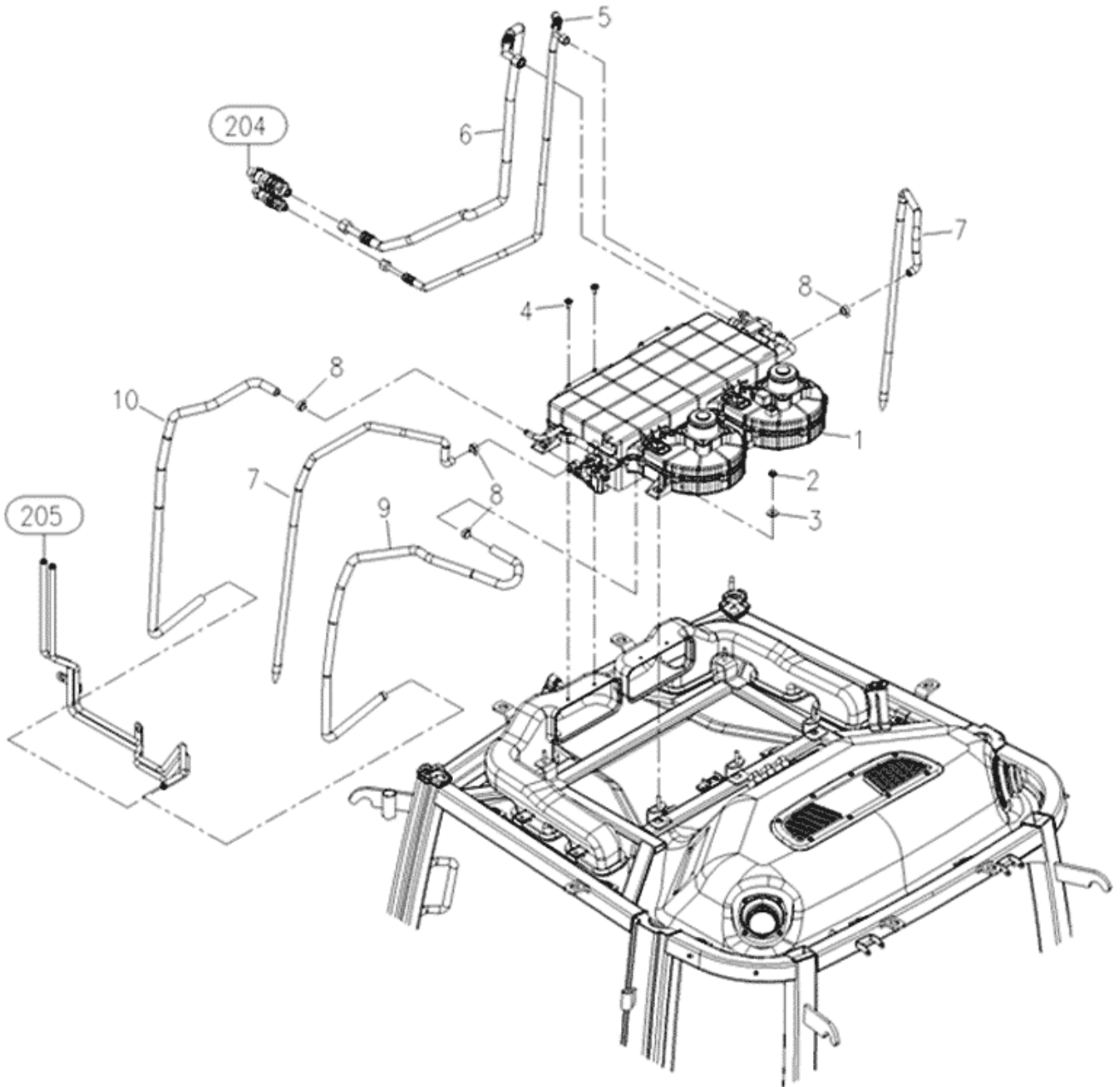
FIG

Branson 6225Ch(EU)  
\_EN(AC01282)

A/C ASS'Y ,CABIN

Year/Month

2021-01





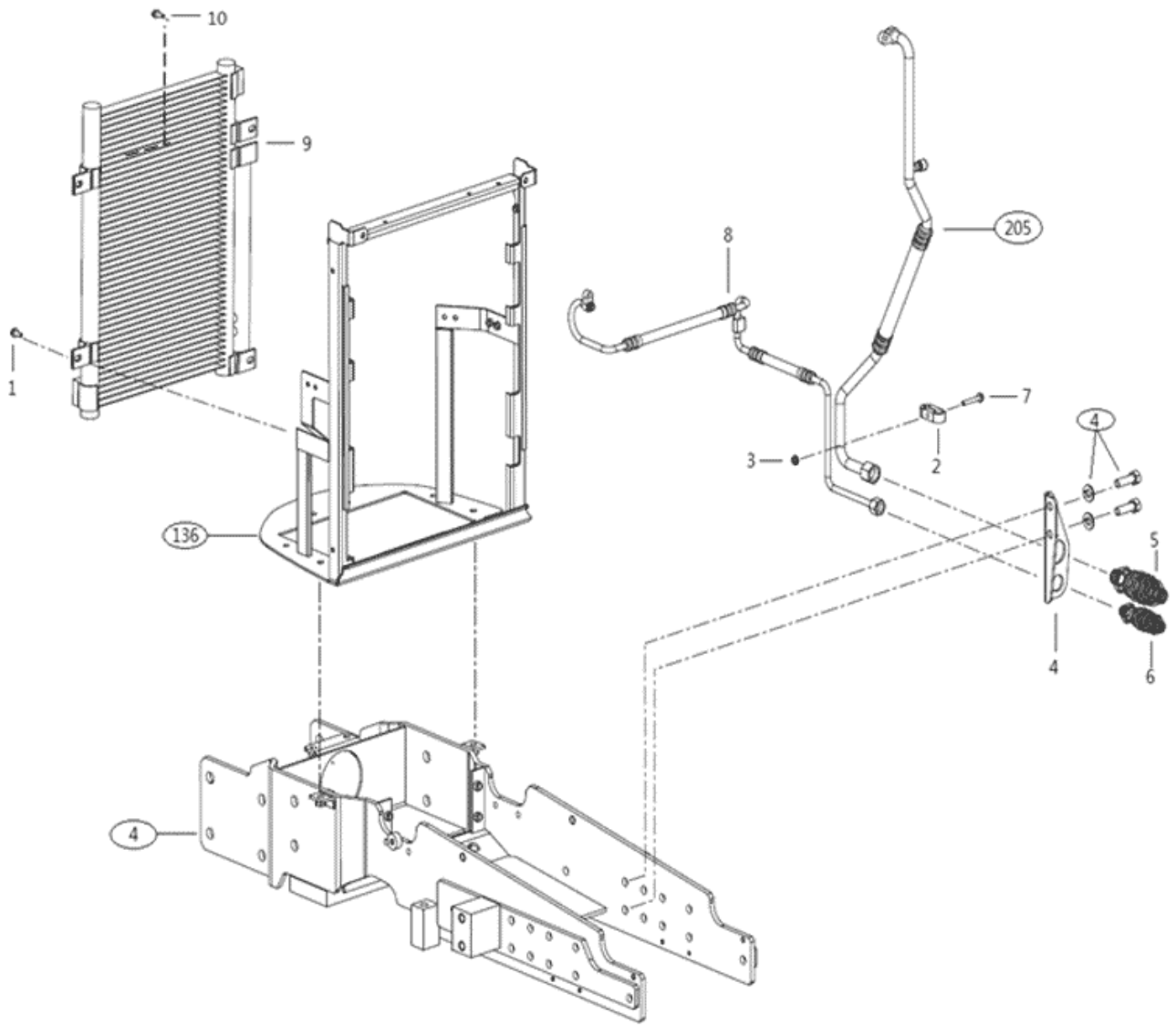
FIG

Branson 6225Ch(EU)  
\_EN(AC01282)

A/C ASSEMBLY

Year/Month

2021-01







FIG

Branson 6225Ch(EU)  
\_EN(AC01282)

SEAT

Year/Month

2021-01

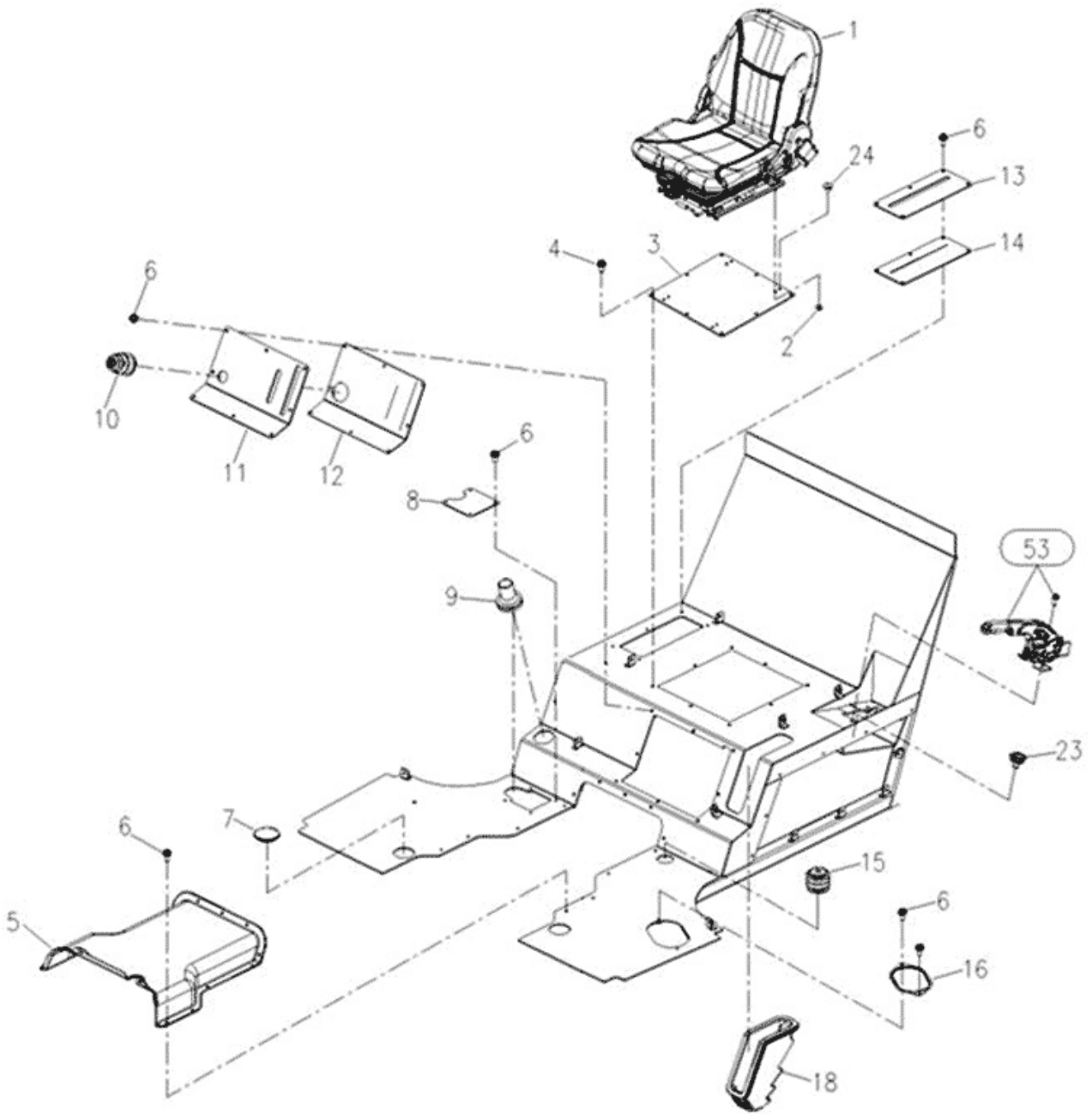


FIG		SEAT			Year/Month
Branson 6225Ch(EU) _EN(AC01282)					2021-01
KeyNo.	Part Number	Description	Quantity	Other	
1	TA00028164A	20R SERIES SEAT	1		
1	TA00028164B	20R SERIES SEAT	1		
1	TA00028164C	20R SERIES SEAT	1		
2	26367-080002	HEX FLANGE NUT (Φ8)	4		
3	TA00030715C	SEAT BRAKET	1		
3	TA00030715B	SEAT BRAKET	1		
3	TA00030715C	SEAT BRAKET	1		
3	TA00030715D	SEAT BRAKET	1		
4	26106-080180	HEX FLANGE BOLT	8		
5	TA00028604A	COVER	1		
5	TA00028604B	COVER	1		
5	TA00028604C	COVER	1		
5	TA00028604D	COVER	1		
6	26106-060142	BOLT	32		
7	FTE0120000A4	\	2		
8	TA00028613A	COVER	1		
9	THB4912000A4	GROMMET 50	2		
10	FTE0300000A4	BOOTS	1		
11	TA00028666B	LEVER COVER	1		
11	TA00028666B	LEVER COVER	1		
12	TA00028665B	LEVER COVER GUM	1		
12	TA00028665B	LEVER COVER GUM	1		
12	TA00028665C	LEVER COVER GUM	1		
13	TA00028664A	SERVICE COVER	1		
13	TA00028664B	SERVICE COVER	1		
14	TA00028663A	GUM	1		
14	TA00028663B	GUM	1		
15	TA00020002A	BOOT	1		
16	TCF4140000A4	COVER	1		
16	TCF4140000B4	COVER	1		
18	TA00028689A	BOOT RANGE SHIFT	1		
19	TA00033281B	LEVER COVER	1		
19	TA00033281B	LEVER COVER	1		
19	TA00033281C	LEVER COVER	1		
19	TA00033281D	LEVER COVER	1		
19	TA00033281E	LEVER COVER	1		
20	TA00033282A	LEVER COVER GUM	1		
20	TA00033282B	LEVER COVER GUM	1		
21	TA00028606A	SERVICE COVER	1		
21	TA00028606B	SERVICE COVER	1		
22	TA00028605A	RUBBER	1		
22	TA00028605B	RUBBER	1		
23	FBE0140000A4	BOOTS	1		

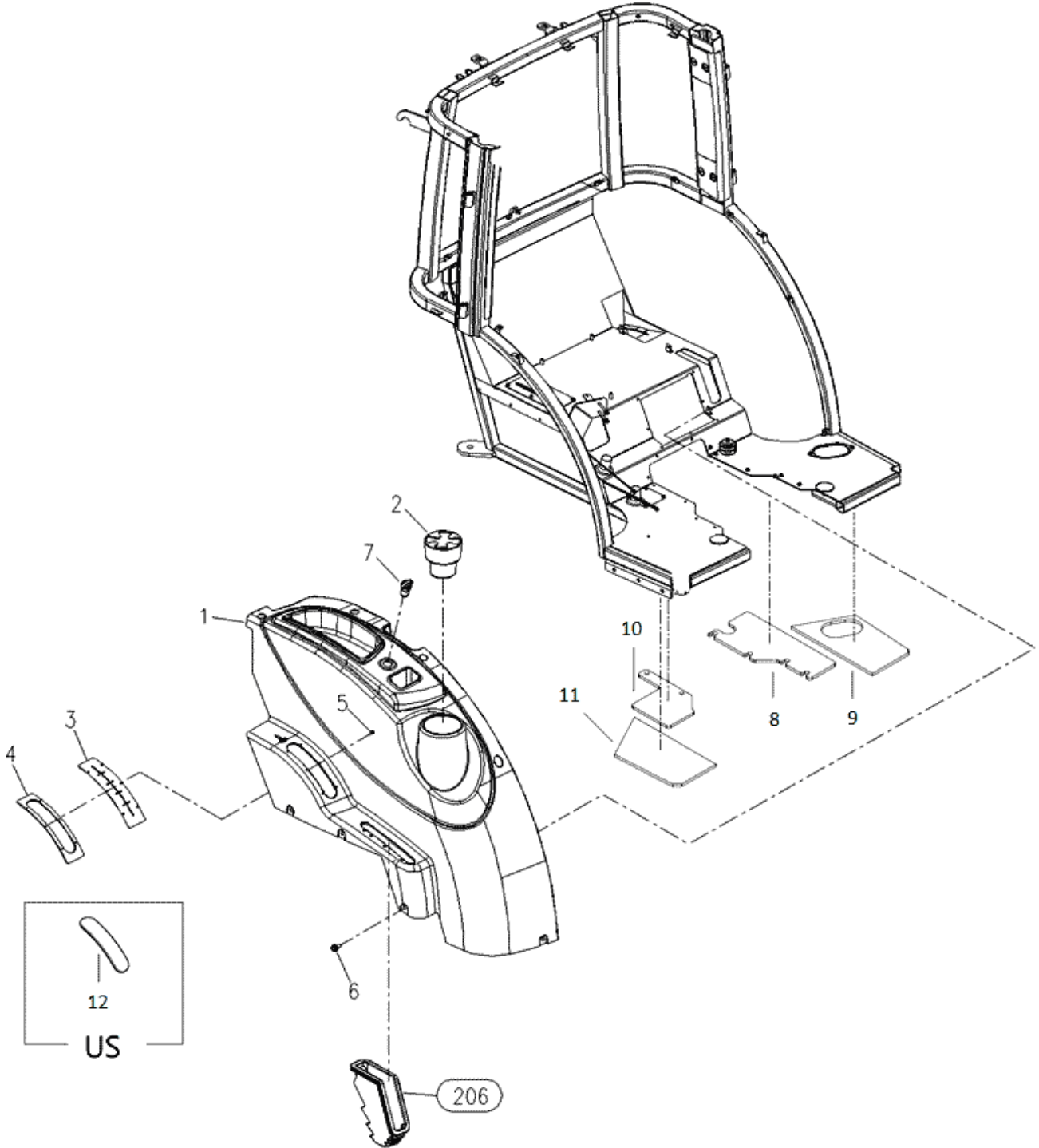
FIG

Branson 6225Ch(EU)  
\_EN(AC01282)

LEFT LEVER COVER

Year/Month

2021-01





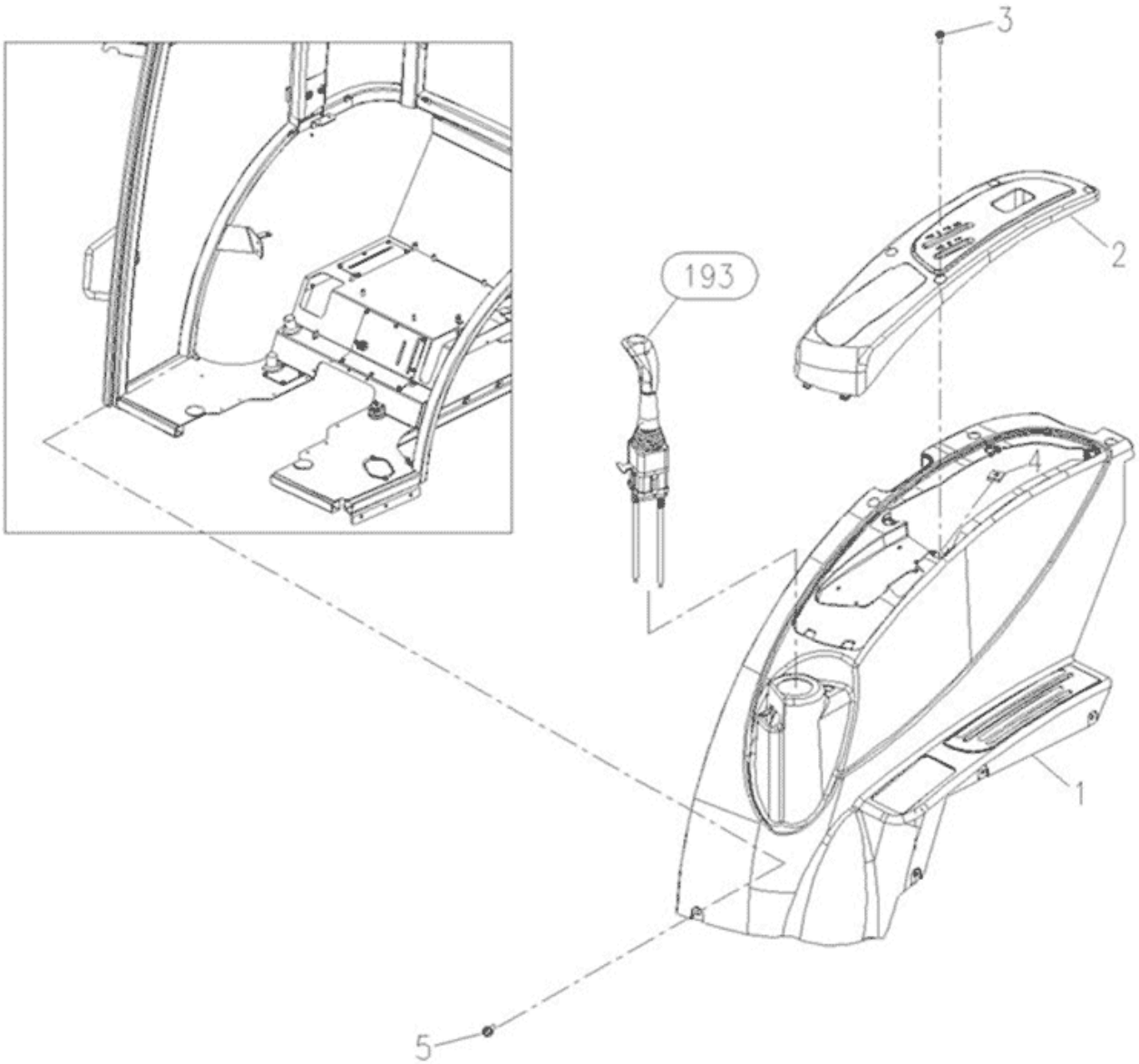
FIG

Branson 6225Ch(EU)  
\_EN(AC01282)

RIGHT LEVER COVER

Year/Month

2021-01





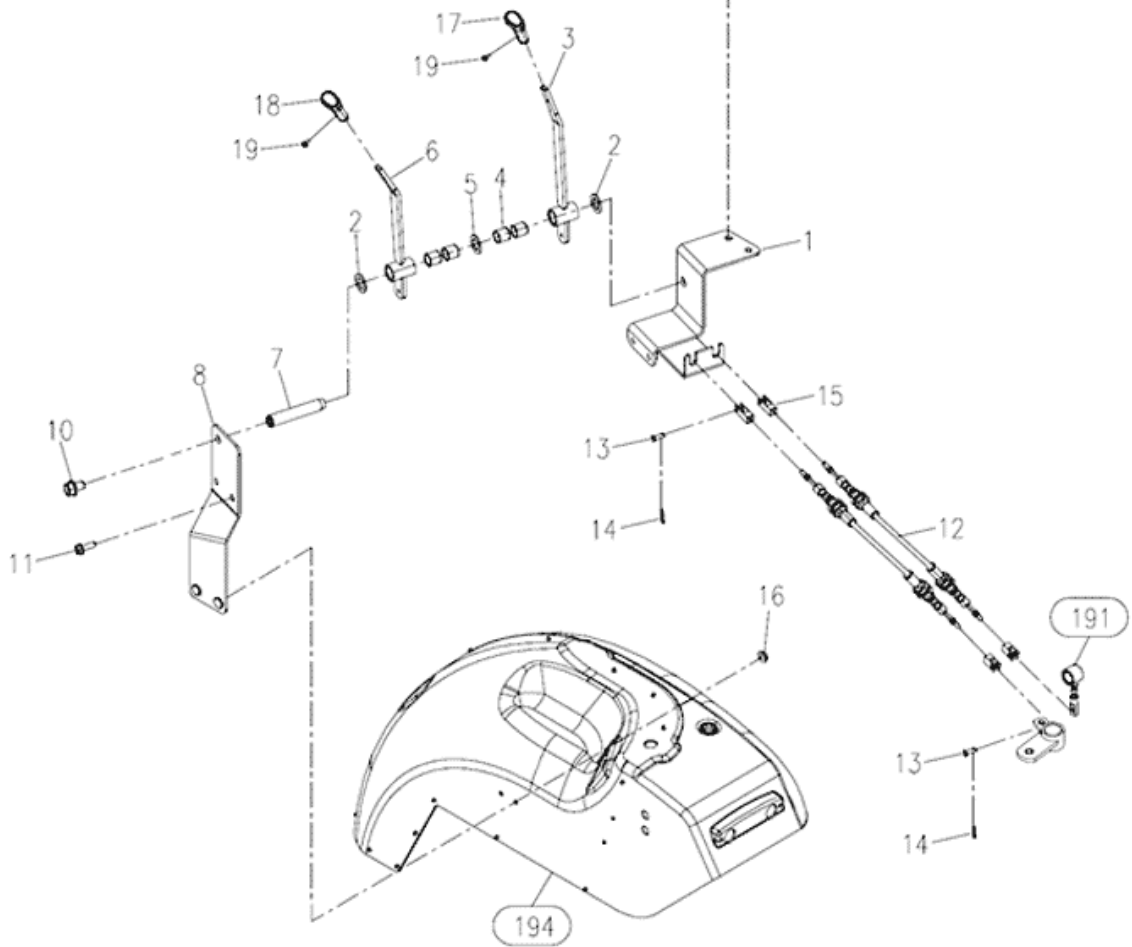
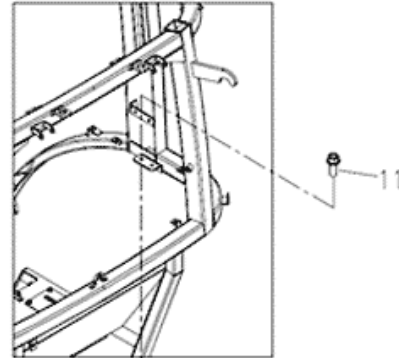
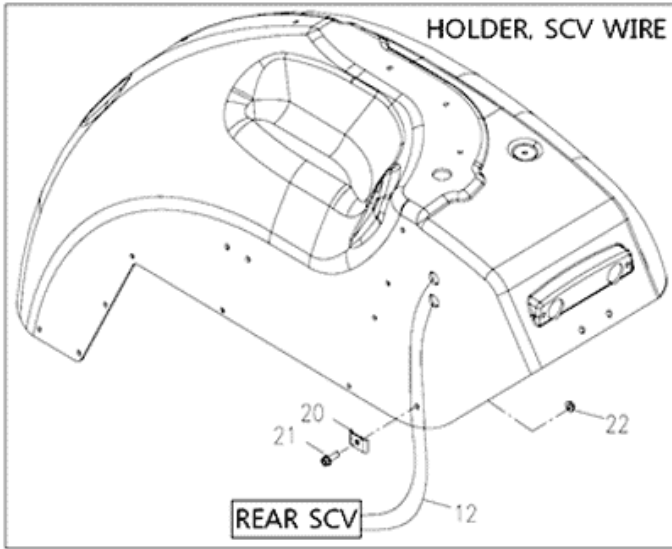
FIG

Branson 6225Ch(EU)  
\_EN(AC01282)

SCV LEVER

Year/Month

2021-01







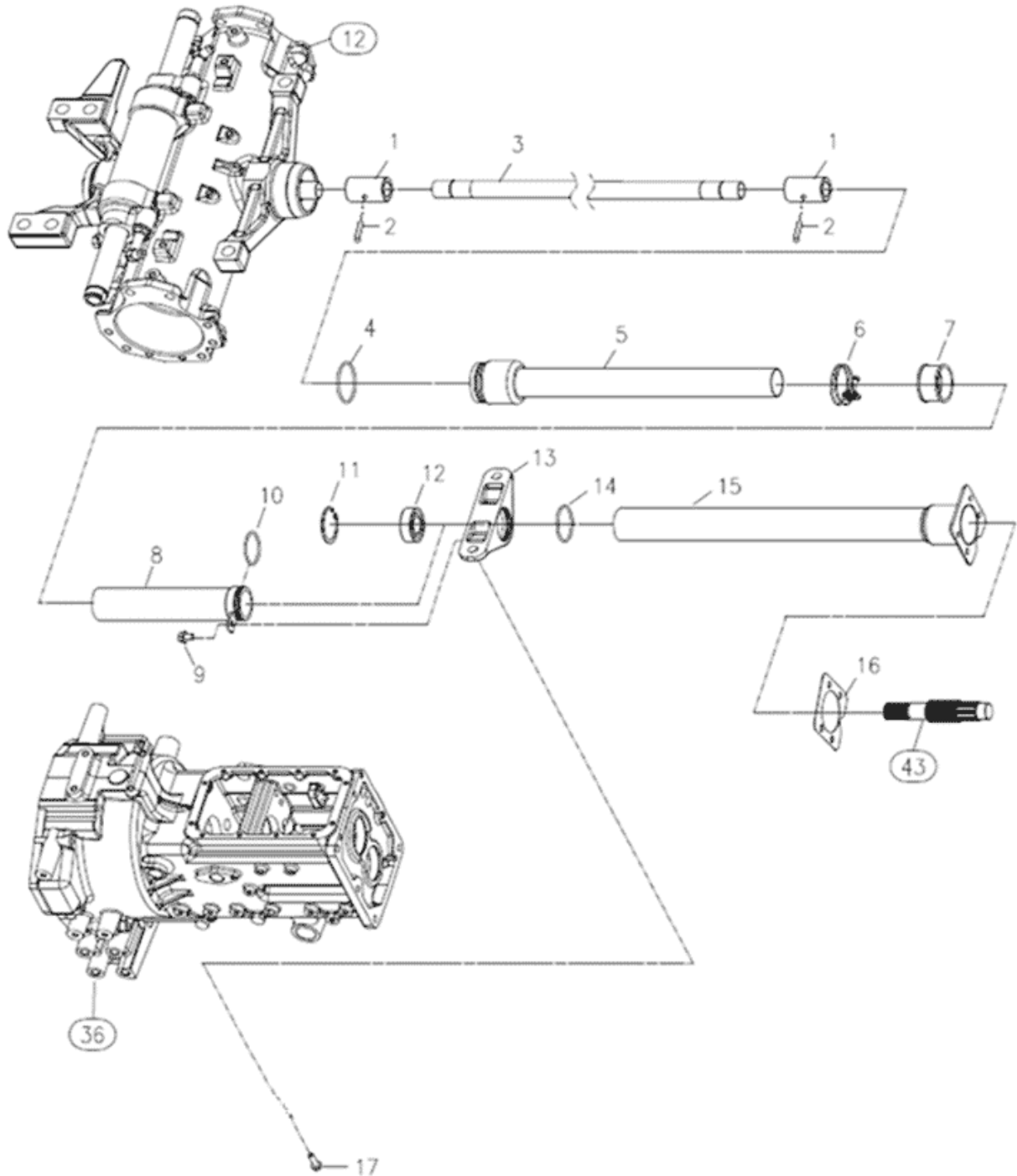
FIG

Branson 6225Ch(EU)  
\_EN(AC01282)

COVER SHAFT

Year/Month

2021-01





FIG

Branson 6225Ch(EU)  
\_EN(AC01282)

GEAR CASE, FRONT AXLE(2017.07)

Year/Month

2021-01

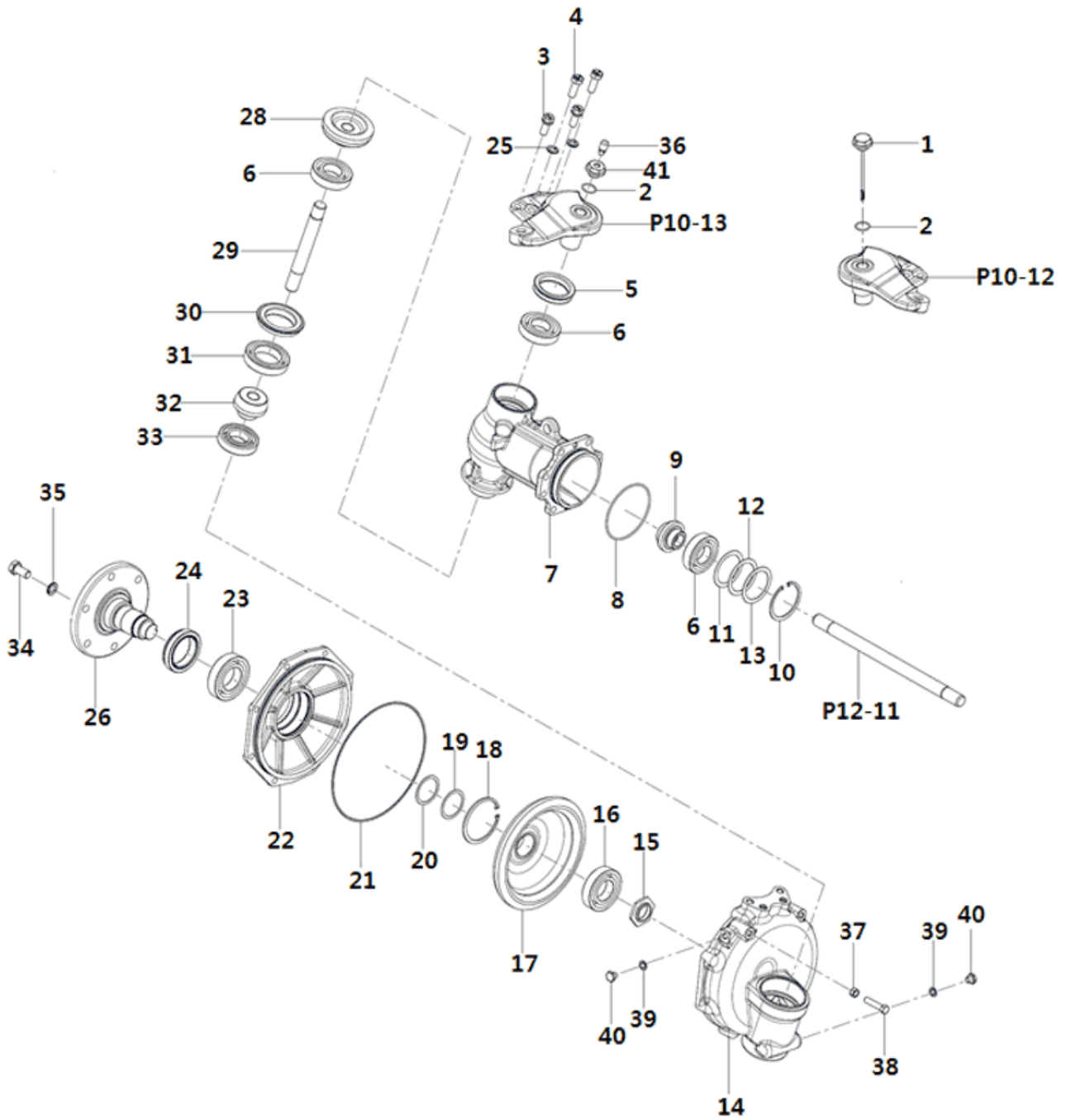


FIG		GEAR CASE, FRONT AXLE(2017.07)			Year/Month
Branson 6225Ch(EU) _EN(AC01282)					2021-01
KeyNo.	Part Number	Description	Quantity	Other	
1	TA00033805A	OIL GUAGE	1		
2	24311-000220	O-RING, DYNAMIC (Φ22)	2		
3	TA00033468B	BOLT W/ WASHER	4		
3	TA00033468B	BOLT W/ WASHER	4		
3	TA00033468C	BOLT W/ WASHER	4		
4	TA00033475A	RIMER BOLT	4		
4	TA00033475B	SPACER	4		
5	FE78010000A	SEAL,OIL -> FE78010000B	2		
5	FE78010000B	OIL SEAL (55X72X13.5)	2		
6	24101-062074	BALL BEARING (#6207)	6		
7	TA00033457B	CASE, FRONT GEAR	2		
7	TA00033457B	CASE, FRONT GEAR	2		
7	TA00033457C	CASE, FRONT GEAR	2		
7	-	HOUSING FRONT GEAR	2		
8	24321-001050	O-RING	2		
9	TA00033461A	PINION, FRONT 1ST SHAFT	2		
10	22252-000720	RING, CIRCLIP (Φ 72)	2		
11	TA00033489A	SHIM 0.2T	2		
12	TA00033488A	SHIM 0.3T	2		
13	TA00033487A	SHIM 0.5T	2		
14	TA00033458B	GEAR BOX, FRONT	2		
14	TA00033458B	GEAR BOX, FRONT	2		
15	TA00033481A	LOCK NUT	2		
16	24101-062084	Bearing, Ball (#6208)	2		
17	TA00033474A	GEAR, BEVEL 49T	2		
18	22252-000850	RING, CIRCLIP (Φ 85)	2		
19	TA00033486A	SHIM 0.2T	1		
20	TA00033485A	SHIM 0.5T	1		
21	TA00033939A	O RING	2		
22	TA00033459A	BEARING CASE, FRONT	1		
22	TA00033459B	BEARING CASE, FRONT	1		
23	24101-062094	BALL BEARING (#6209)	2		
24	TA00041352A	OILSEAL (AO26 TYPE)	2		
26	TA00033460A	SPINDLE, FRONT	2		
26	TA00033460B	SPINDLE, FRONT	2		
27	TA00033469A	BOLT W/ WASHER	16		
27	TA00033469B	BOLT W/ WASHER	16		
28	TA00033463A	FRONT 2ND AXLE LH	2		
29	TA00033464A	FRONT 2ND SHAFT	2		
30	TC60110000A3	SEAL	2		
31	24101-060104	Bearing, Ball (#6010)	2		
32	TA00033473A	GEAR, BEVEL 11T	2		
33	TC60340000A4	BEARING(TM207C3)	2		
34	TD23120000A4	BOLT	12		
34	TD23120000B4	BOLT	12		



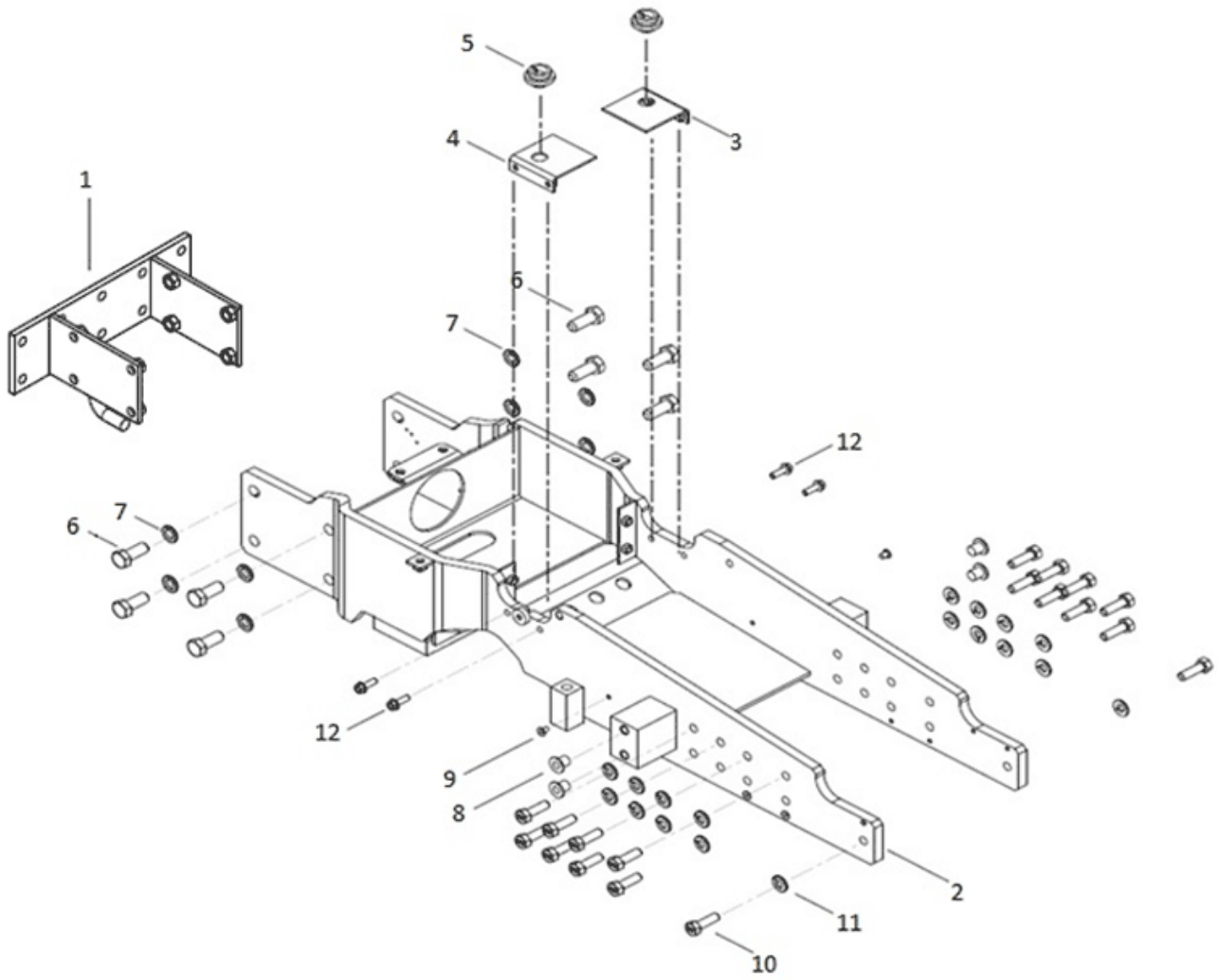
FIG

Branson 6225Ch(EU)  
\_EN(AC01282)

FRONT AXLE BRACKET(2017.03)

Year/Month

2021-01





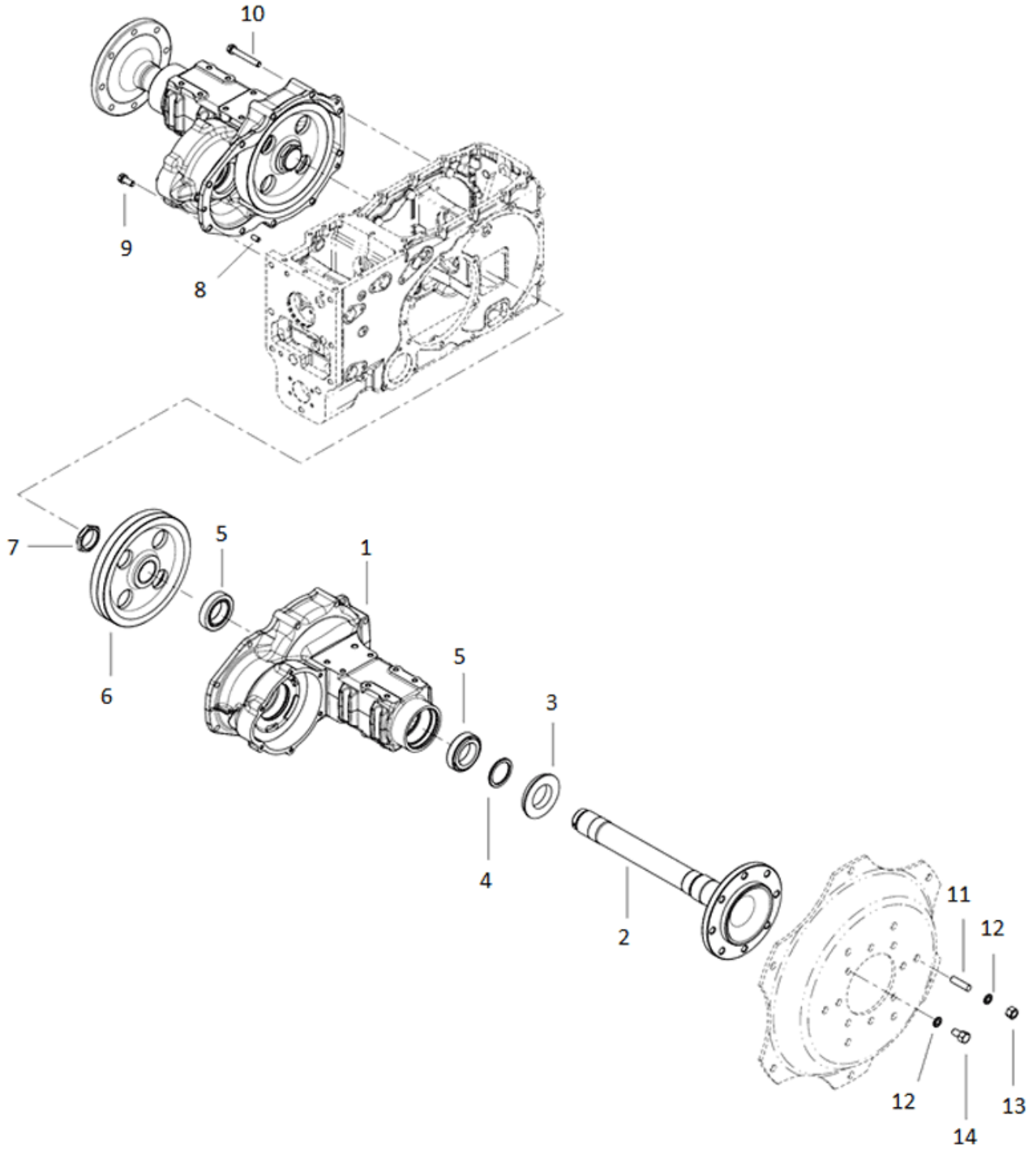
FIG

Branson 6225Ch(EU)  
\_EN(AC01282)

HOUSING, REAR AXLE(2016.05)

Year/Month

2021-01







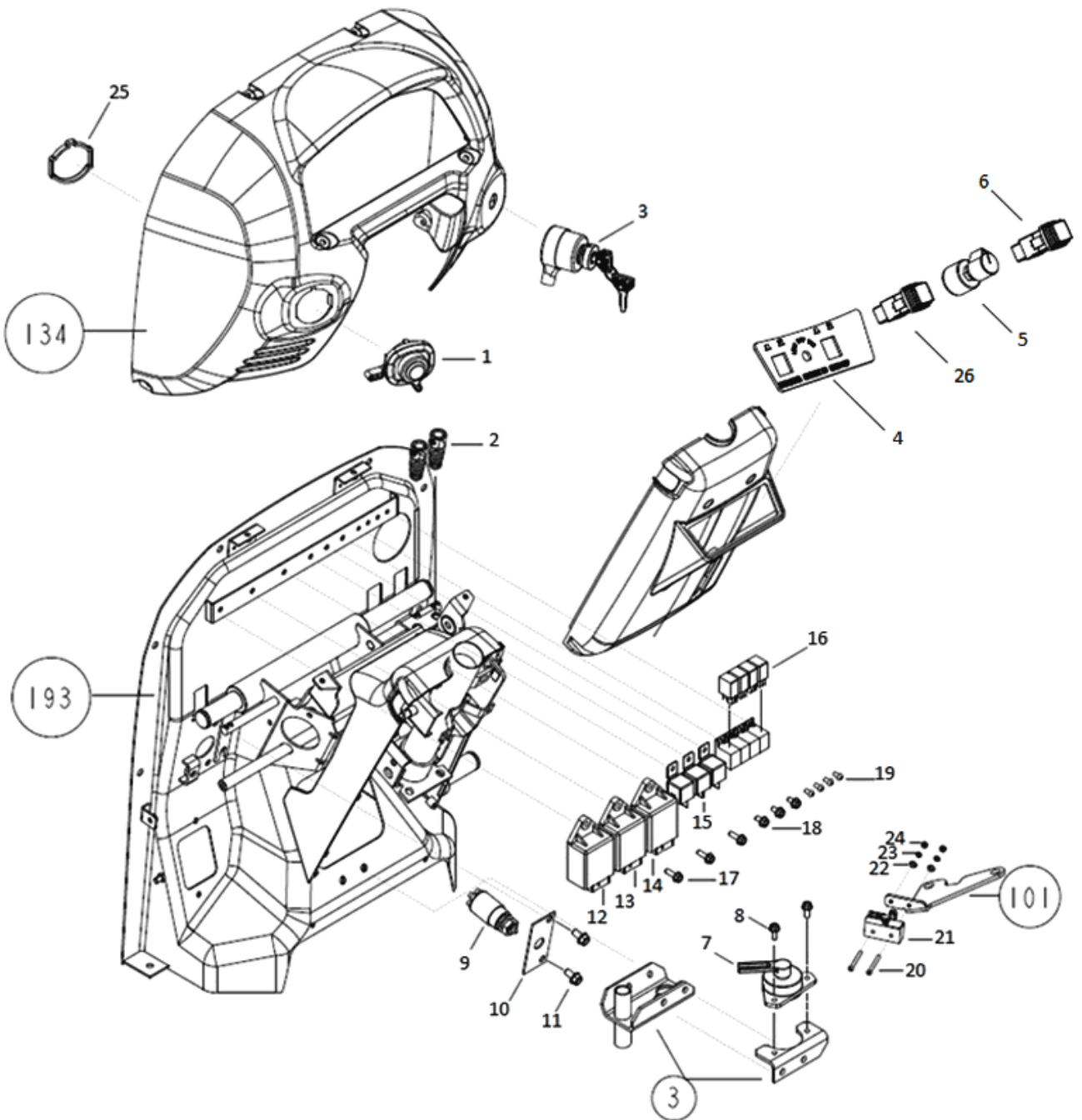
FIG

Branson 6225Ch(EU)  
\_EN(AC01282)

SWITCH(2016.06)

Year/Month

2021-01





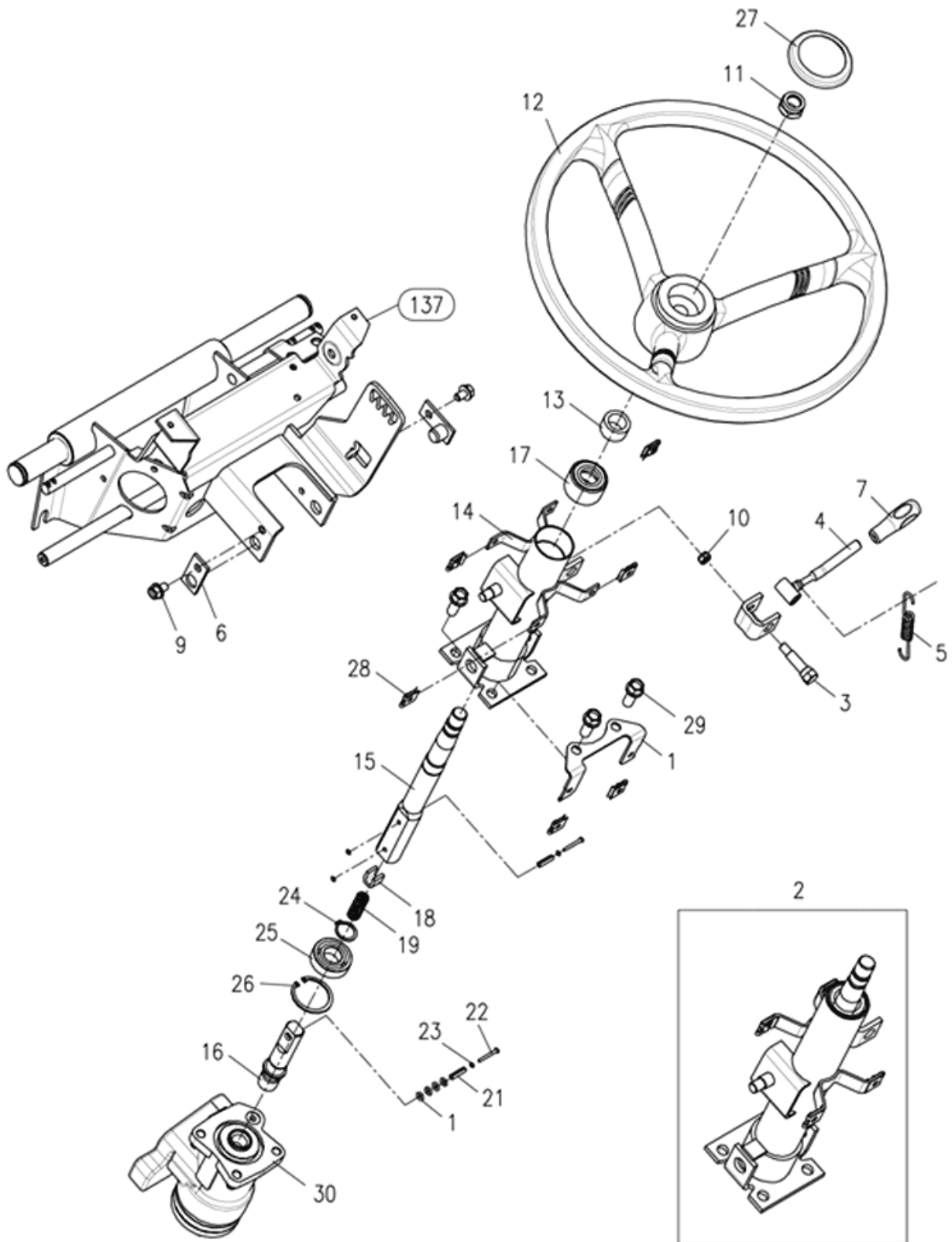
FIG

Branson 6225Ch(EU)  
\_EN(AC01282)

STEERING COLUMN(2016.06)

Year/Month

2021-01





FIG

Branson 6225Ch(EU)  
\_EN(AC01282)

DRIVING PART, REAR AXLE(2016.10)

Year/Month

2021-01

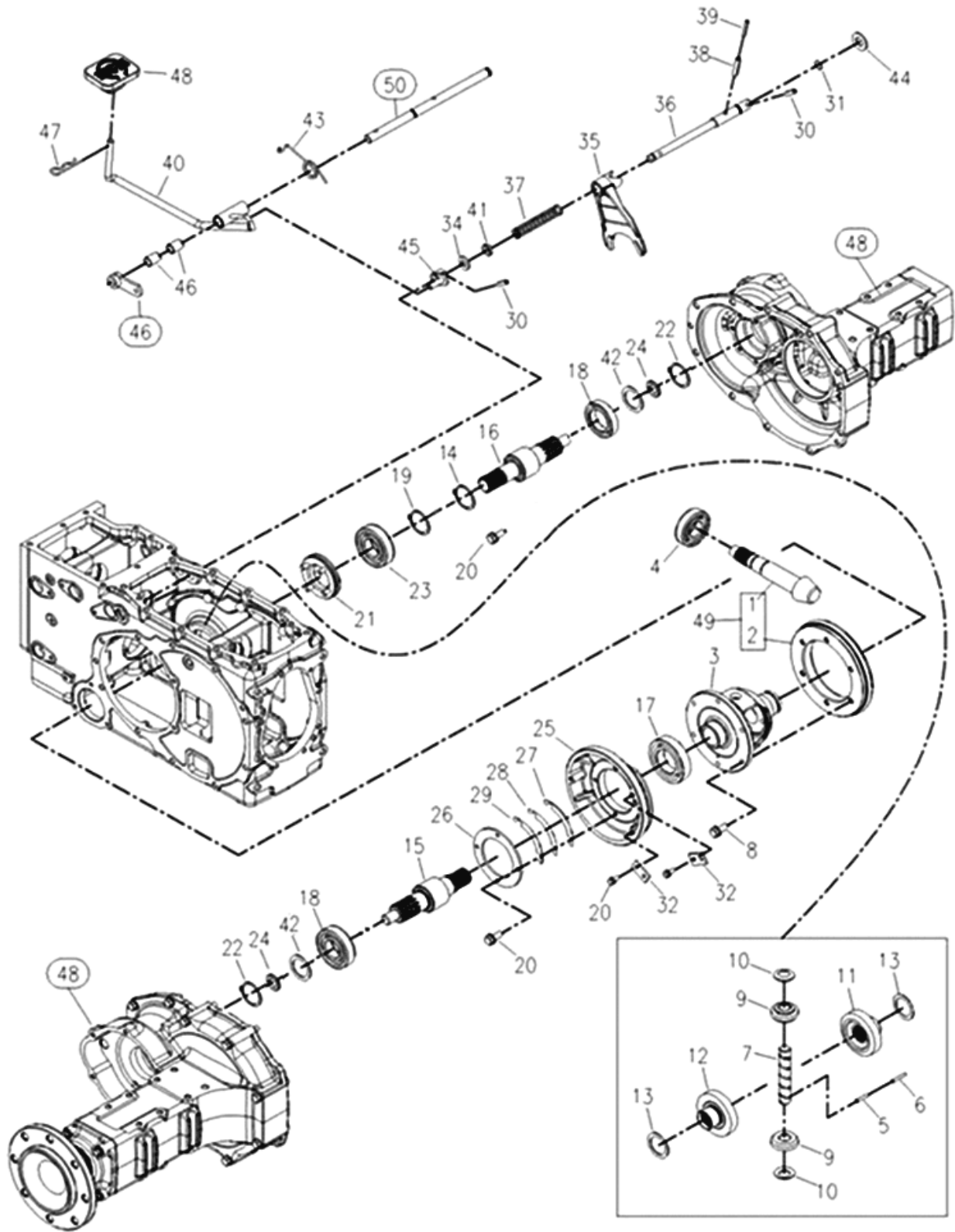


FIG		DRIVING PART, REAR AXLE(2016.10)			Year/Month
Branson 6225Ch(EU) _EN(AC01282)					2021-01
KeyNo.	Part Number	Description	Quantity	Other	
1	TN49510000A2	COUNTERSAHFT	1		
1	TN49510000B2	COUNTERSAHFT	1		
2	TN49520000C2	RINGGEAR	1		
2	TN49520000D2	RINGGEAR	1		
3	TN49030000D2	CASE,DIFFERENTIAL -> TA00022799A	1		
3	TN49030000E2	CASE,DIFFERENTIAL	1		
4	TT78020000A3	BEARINGNJ307R	1		
5	22312-060360	PIN, DOWEL (6-36)	1		
6	22351-060032	PIN, SPRING (6-32)	1		
7	TF64080000A4	PINIONSHAFT	1		
8	TF64090000A4	BOLT	6		
8	TF64090000B4	BOLT	6		
9	TF64100000A3	PINION	2		
9	TF64100000B3	PINION	2		
10	TF64110000A4	PINIONLINER	2		
11	TF64120000A3	DIFF.SIDEGEAR(A)	1		
12	TF64130000A3	DIFF.SIDEGEAR(B)	1		
13	TF64140000B4	SIDEGEARLINER	2		
14	22252-000800	RING, CIRCLIP (Φ 80)	1		
15	TA00032603E	FINAL PINION(L)	1		
15	TA00032603B	FINAL PINION(L)	1		
15	TA00032603C	FINAL PINION(L)	1		
15	TA00032603D	FINAL PINION(L)	1		
15	TA00032603E	FINAL PINION(L)	1		
16	TA00032596E	FINAL PINION(R)	1		
16	TA00032596B	FINAL PINION(R)	1		
16	TA00032596C	FINAL PINION(R)	1		
16	TA00032596D	FINAL PINION(R)	1		
16	TA00032596E	FINAL PINION(R)	1		
17	24101-062114	Bearing, Ball (#6211)	1		
18	TF64190000A4	BALL BEARING (#6308HL1) -> TF64190000A3	1		
19	22242-000500	SNAP RING, SHAFT (Φ50)	1		
20	26013-080202	Bolt, Hexa (8-20)	4		
21	TF64250000B3	THRUST, DIFF-LOCK ASSY	1		
22	22252-000900	RING, CIRCLIP (Φ 90)	2		
23	24101-060104	Bearing, Ball (#6010)	1		
24	22242-000400	SNAP RING, SHAFT (Φ 40)	2		
25	TN49550000B2	CARRIOR	1		
26	TN49590000A4	RETAINER	1		
27	TZ49560000A4	SHIMA	3		
28	TZ49570000A4	SHIMB	3		
29	TZ49580000A4	SHIMC	2		
30	22351-080032	PIN, SPRING (8-32)	2		
31	24311-000160	O-RING, DYNAMIC (Φ16)	1		
32	TB32360000A4	RETAINER	2		





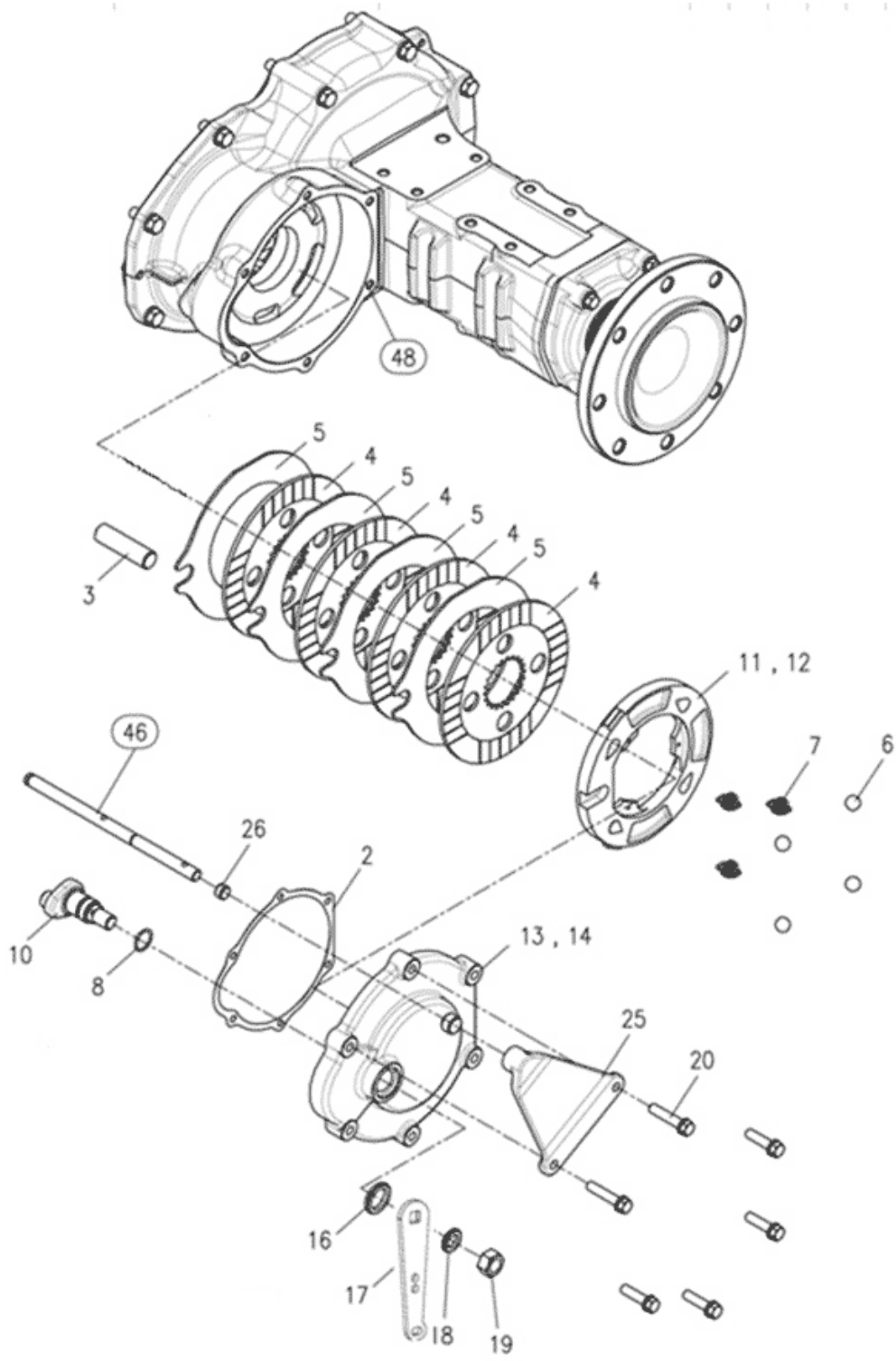
FIG

Branson 6225Ch(EU)  
\_EN(AC01282)

BRAKE(2017.02)

Year/Month

2021-01





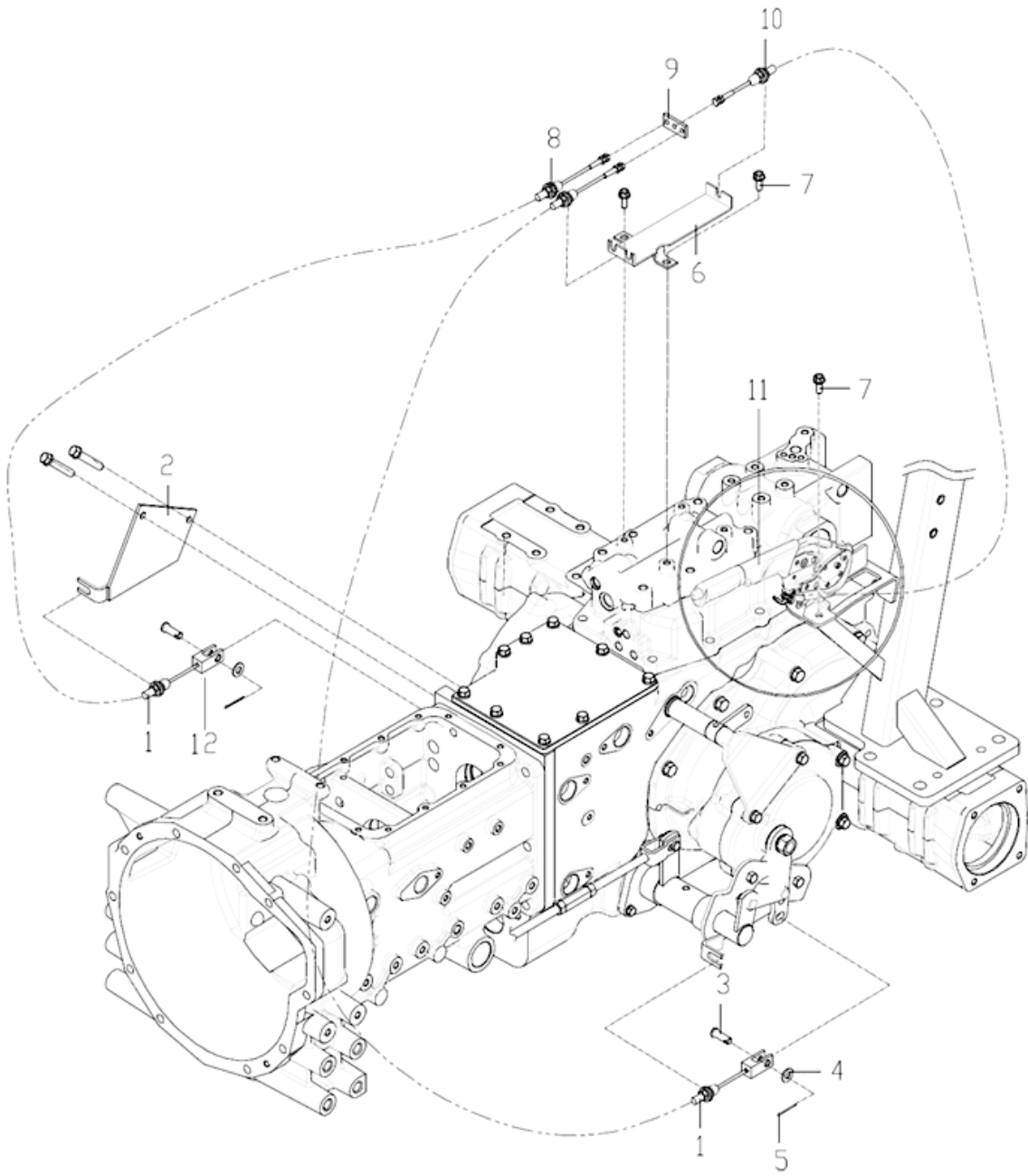
FIG

Branson 6225Ch(EU)  
\_EN(AC01282)

PARKING BRAKE

Year/Month

2021-01





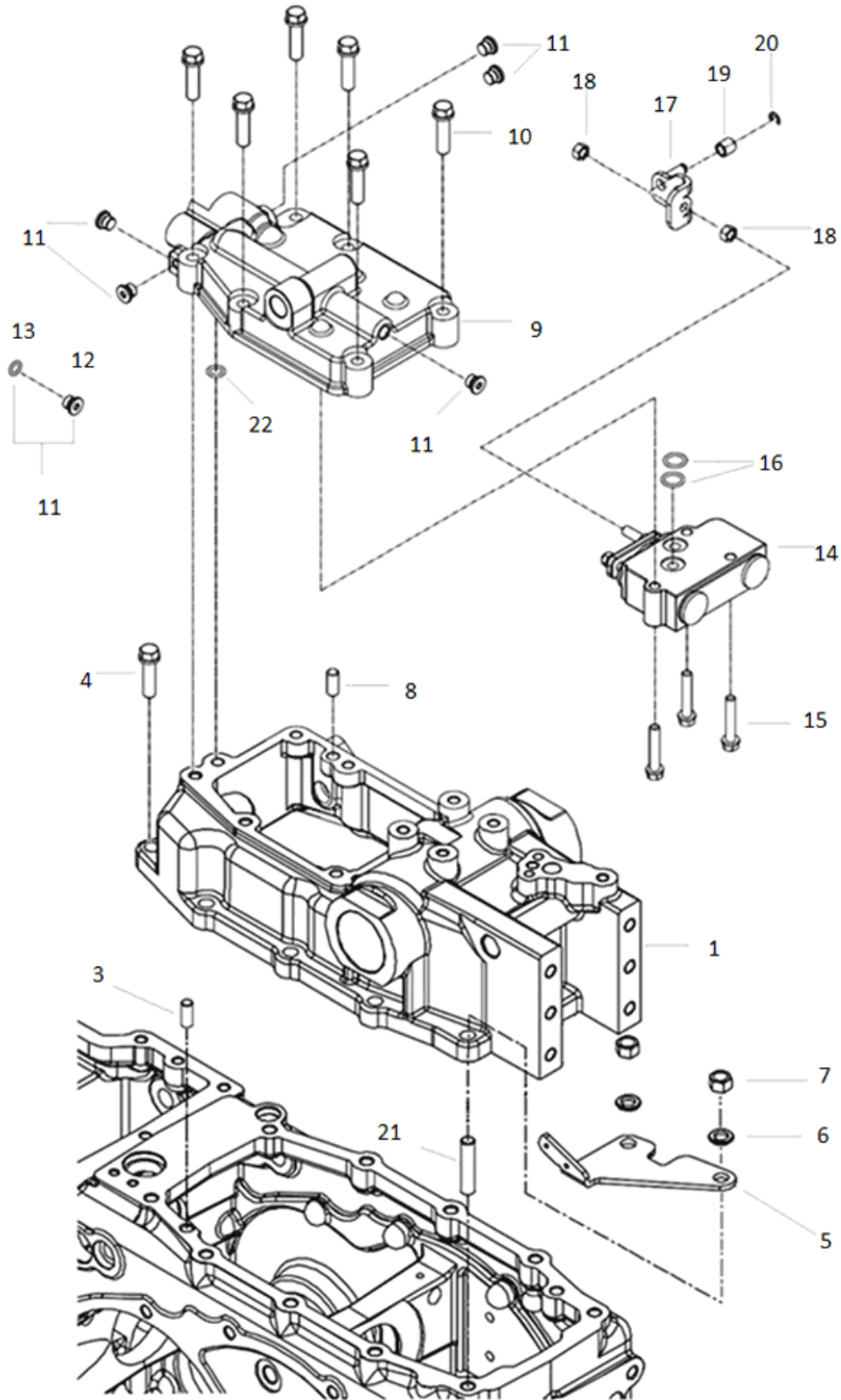
FIG

Branson 6225Ch(EU)  
\_EN(AC01282)

CASE, HYD CYLINDER(2016.05)

Year/Month

2021-01





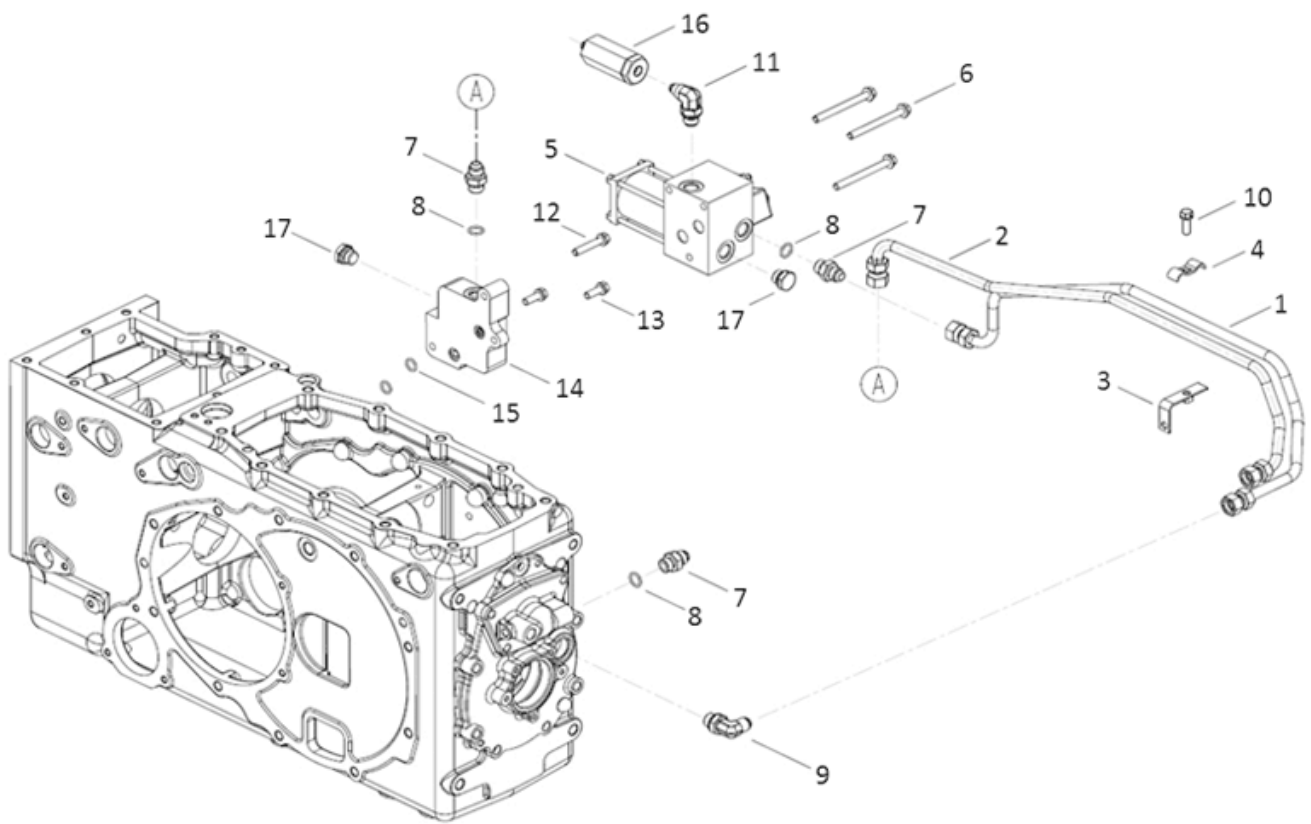
FIG

Branson 6225Ch(EU)  
\_EN(AC01282)

IND PTO SUPPPT(2016.10)

Year/Month

2021-01











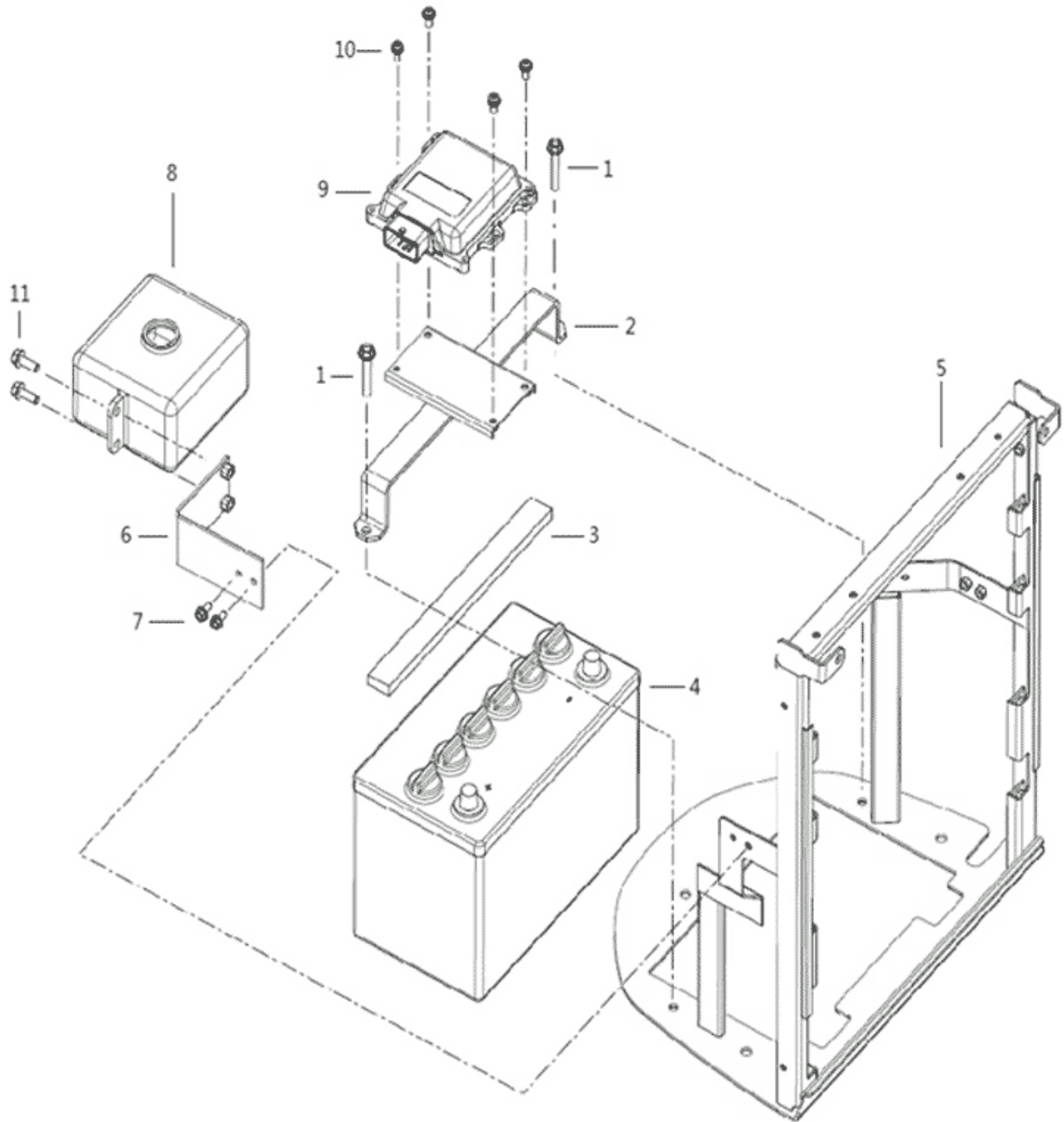
FIG

Branson 6225Ch(EU)  
\_EN(AC01282)

BATTERY

Year/Month

2021-01





<p>FIG Branson 6225Ch(EU) _EN(AC01282)</p>	<p>FUEL TANK</p>	<p>Year/Month 2021-01</p>
--	------------------	-------------------------------

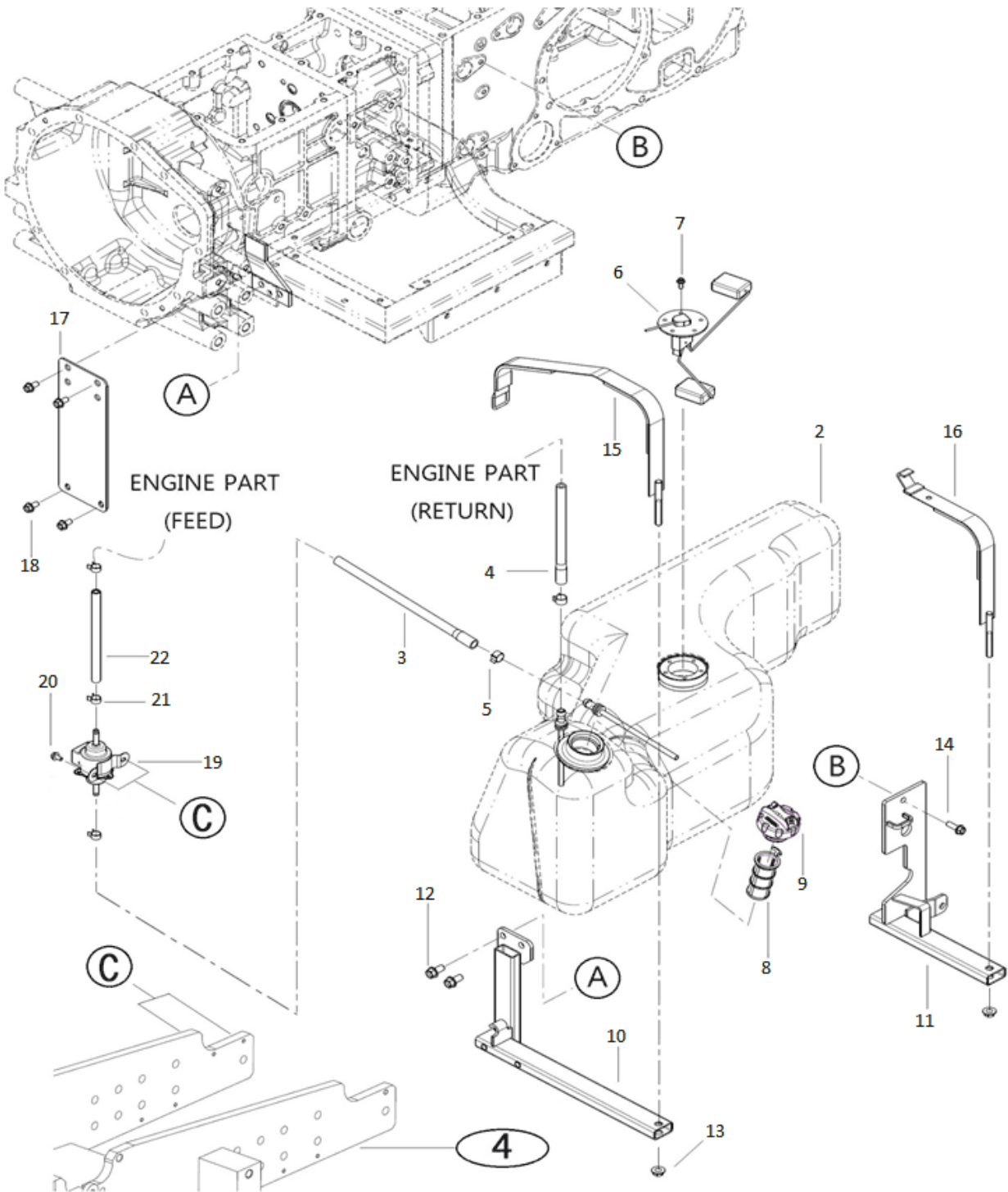
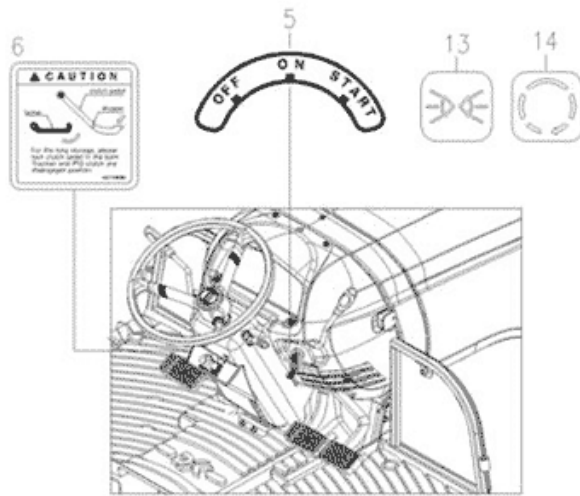


FIG		FUEL TANK			Year/Month
Branson 6225Ch(EU) _EN(AC01282)					2021-01
KeyNo.	Part Number	Description	Quantity	Other	
1	TA00037917B	FUEL TANK ASS'Y	1		
1	TA00037917B	FUEL TANK ASS'Y	1		
1	TA00037917C	FUEL TANK ASS'Y	1		
2	TA00035291B	FUEL TANK ASSY	1		
2	TA00035291B	FUEL TANK ASSY	1		
2	TA00035291C	FUEL TANK ASSY	1		
2	TA00035291D	FUEL TANK ASSY	1		
3	TA00036178C	FUEL LINE(1000)	1		
3	TA00036178B	FUEL LINE(1000)	1		
3	TA00036178C	FUEL LINE(1000)	1		
4	TA00036175C	FUEL LINE(1100)	1		
4	TA00036175B	FUEL LINE(1100)	1		
4	TA00036175C	FUEL LINE(1100)	1		
5	23080-015000	Clamp, Hose (Φ15)	2		
6	HA00000855A	FUEL SENSOR	1		
7	26106-050142	HEX FLANGE BOLT (5-14)	5		
8	TA00027741A	FILTER STRAINER	1		
9	TA00037880A	FUEL CAP	1		
10	TA00035817E	TANK SUPPORT, FRONT	1		
10	TA00035817C	TANK SUPPORT ASSY	1		
10	TA00035817D	TANK SUPPORT ASSY	1		
10	TA00035817E	TANK SUPPORT, FRONT	1		
10	TA00035817F	FUEL TANK SUPPORT ASS'Y	1		
11	TA00036449C	FUEL TANK REAR SUPPROT	1		
11	TA00036449B	FUEL TANK REAR SUPPROT	1		
11	TA00036449C	FUEL TANK REAR SUPPROT	1		
11	TA00036449D	FUEL TANK REAR SUPPORT	1		
12	26106-100202	HEX BOLT, (10-20)	6		
13	26367-100002	NUT,HEXAGONFLANGE	2		
14	26106-080252	SCREW,HEXFLANGEHEADCAP	1		
15	TA00035957E	FRONT BAND ASSY	1		
15	TA00035957B	FRONT BAND ASSY	1		
15	TA00035957C	FRONT BAND ASSY	1		
15	TA00035957D	FRONT BAND ASSY	1		
15	TA00035957E	FRONT BAND ASSY	1		
16	TA00035974E	BAND REAR ASSY	1		
16	TA00035974B	BAND REAR ASSY	1		
16	TA00035974C	BAND REAR ASSY	1		
16	TA00035974D	FUEL TANK BAND, REAR	1		
16	TA00035974E	BAND REAR ASSY	1		
17	TA00035811C	COVER	1		
17	TA00035811B	COVER	1		
17	TA00035811C	COVER	1		
18	26106-080162	SCREW,HEXFLANGEHEADCAP	4		
19	HF20190000A2	FUEL FEED PUMP	1		

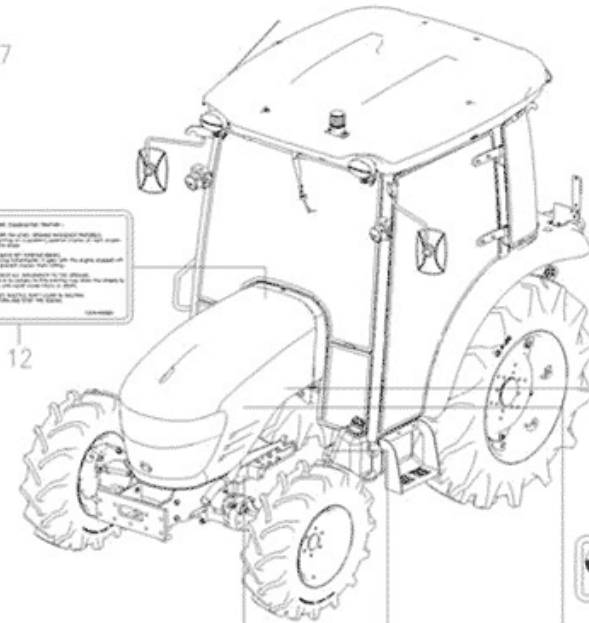
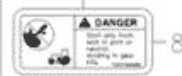
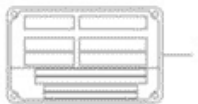


<b>FIG</b> Branson 6225Ch(EU) _EN(AC01282)	<b>NAME PLATE_6225CH</b>	Year/Month
		2021-01



**Turbo Charged** — 17

<b>TRAKTORIJA</b>	
TRAKTORIJA S 4225	
TRAKTORIJA S 4225	
NETO TEŽAVA	2050 kg
POVRŠINSKI TIRNI TEG	800 kg
POVRŠINSKI TIRNI TEG	800 kg
POVRŠINSKI TIRNI TEG	800 kg
POVRŠINSKI TIRNI TEG	800 kg
POVRŠINSKI TIRNI TEG	800 kg
POVRŠINSKI TIRNI TEG	800 kg
POVRŠINSKI TIRNI TEG	800 kg
POVRŠINSKI TIRNI TEG	800 kg
POVRŠINSKI TIRNI TEG	800 kg







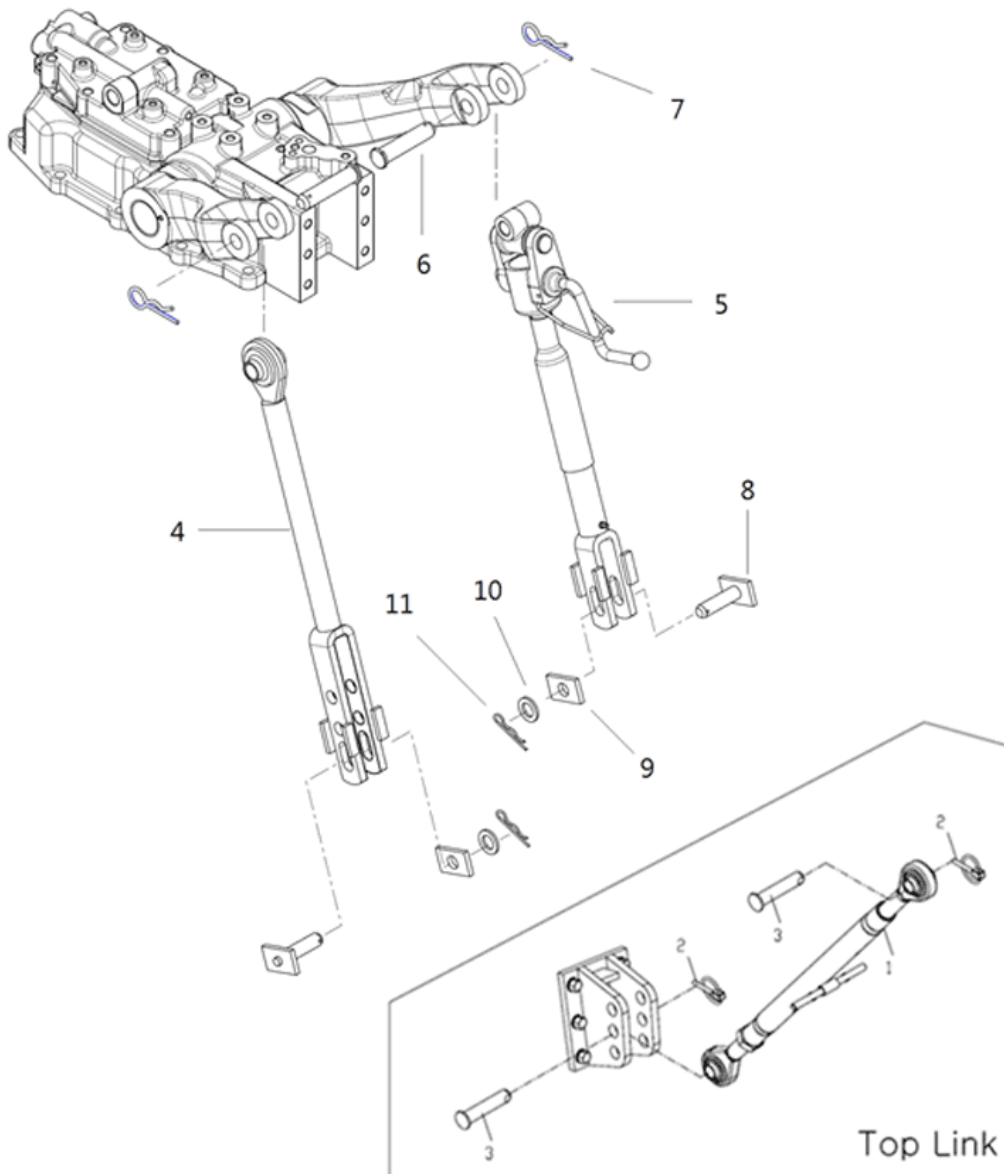
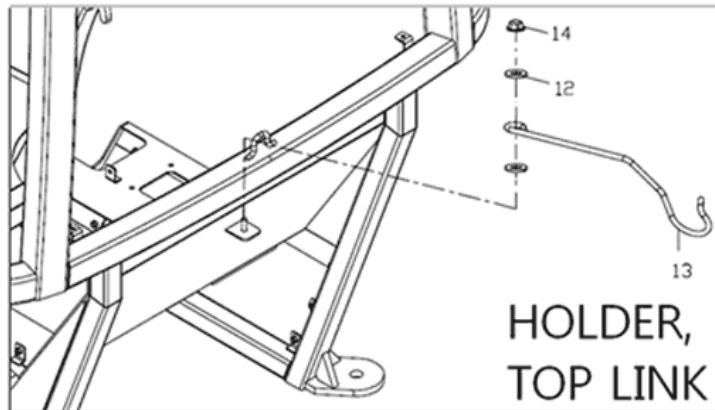
FIG

Branson 6225Ch(EU)  
\_EN(AC01282)

TOP LINK, LIFT LINK

Year/Month

2021-01





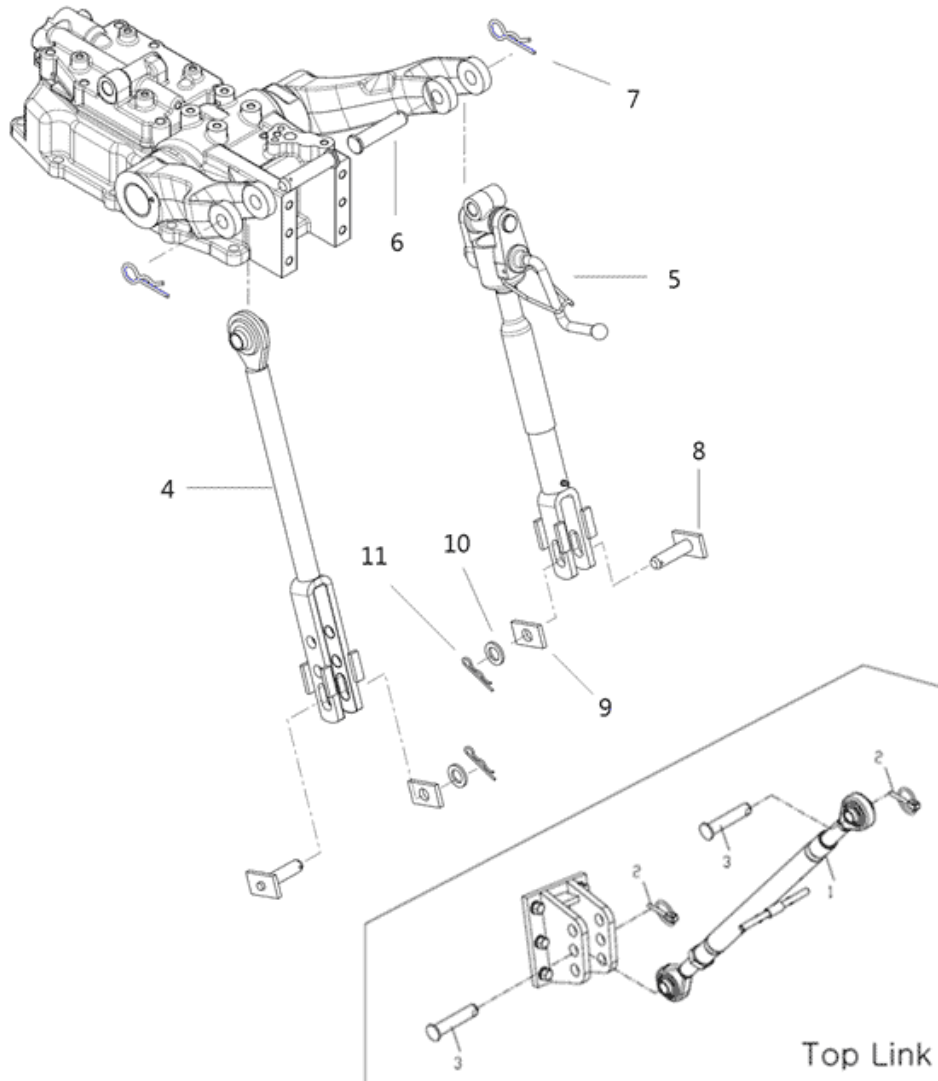
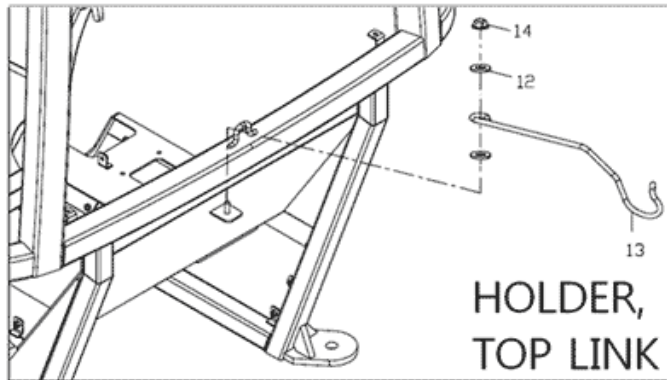
FIG

Branson 6225Ch(EU)  
\_EN(AC01282)

TOP LINK, LIFT LINK

Year/Month

2021-01





FIG

Branson 6225Ch(EU)  
\_EN(AC01282)

LOWER LINK

Year/Month

2021-01

