

KUKJE Branson 6225H(EU)_IND_NEC (AC01649) TRACTOR

Parts Catalogue



BRANSON TRACTOR

CONTENTS

GROUP NO	GROUP NAME	PAGE
	LEVER ACCELERATOR	5
	STEERING COLUMN(2019.10~)	7
	P.S.T CYLINDER	9
	SWITCH	11
	P.S.T PIPE	13
	STEERING COLUMN	15
	RING GEAR, DIFFERENTIAL GEAR(2019.10~)	17
	GEAR CASE, FRONT AXLE(2019.10~)	19
	HST HOUSING(2019.10~)	22
	HST GEAR(2019.10~)	24
	FRONT DRIVE & RANGE SHIFT GEAR (2019.10~)	26
	GEAR,IND PTO SPEED CHANGE(2019.10~)	29
	REAR AXLE CASE, PTO SHIFT(2019.10~)	32
	PTO DAMPER	34
	HOUSING, REAR AXLE(2019.10~)	36
	DRIVING PART, REAR AXLE(2019.10~)	38
	BRAKE(2019.10~)	41
	SUPPORT, BRAKE(2019.10~)	43
	BONNET(2019.10~)	45
	FUEL TANK	48
	FUEL TANK(2019.10~)	51
	HST HOUSING	54
	SEAT(2020.06~)	56
	NAME PLATE(2020.06~)	58
	25H-NEC	60
	HST GEAR	62
	HST PEDAL	64
	FRONT DRIVE & RANGE SHIFT GEAR - deleted page	67
	FRONT DRIVE & RANGE SHIFT LEVER	70
	GEAR,IND PTO SPEED CHANGE	73
	FRONT AXLE BRACKET	76
	REAR AXLE CASE, PTO SHIFT	78
	LEVER ASS'Y, PTO SPEED CHANGE	80
	HOUSING, REAR AXLE	82
	DRIVING PART, REAR AXLE	84

GROUP NO	GROUP NAME	PAGE
	BRAKE	87
	BRAKE, CLUTCH PEDAL	89
	SUPPORT, BRAKE	91
	PARKING BRAKE	93
	CENTER PIN SUPPORTER	95
	HYD PUMP	97
	CASE, HYD CYLINDER	99
	IND PTO SUPPORT	101
	SAFETY VALVE	103
	STOP VALVE	105
	HYD CONTROL	107
	HYD CONTROL	109
	DRAFT CONTROL	111
	HYD PIPING	113
	HYD PIPING	115
	TIE ROD	117
	OIL COOLER	119
	HYD FILTER	121
	ELE'C WIRING	123
	HORN	125
	LAMP	127
	METER ASS'Y	129
	BONNET	131
	RING GEAR, DIFFERENTIAL GEAR	133
	BONNET SUPPORT	135
	DASH BOARD	138
	FENDER	140
	SEAT	142
	FUEL TANK(SB)	144
	NAME PLATE	147
	TOP LINK, LIFT LINK	150
	LOWER LINK	152
	PROPELLER SHAFT	154
	DRAWBAR HITCH	156
	SAFETY FRAME ASS'Y	158

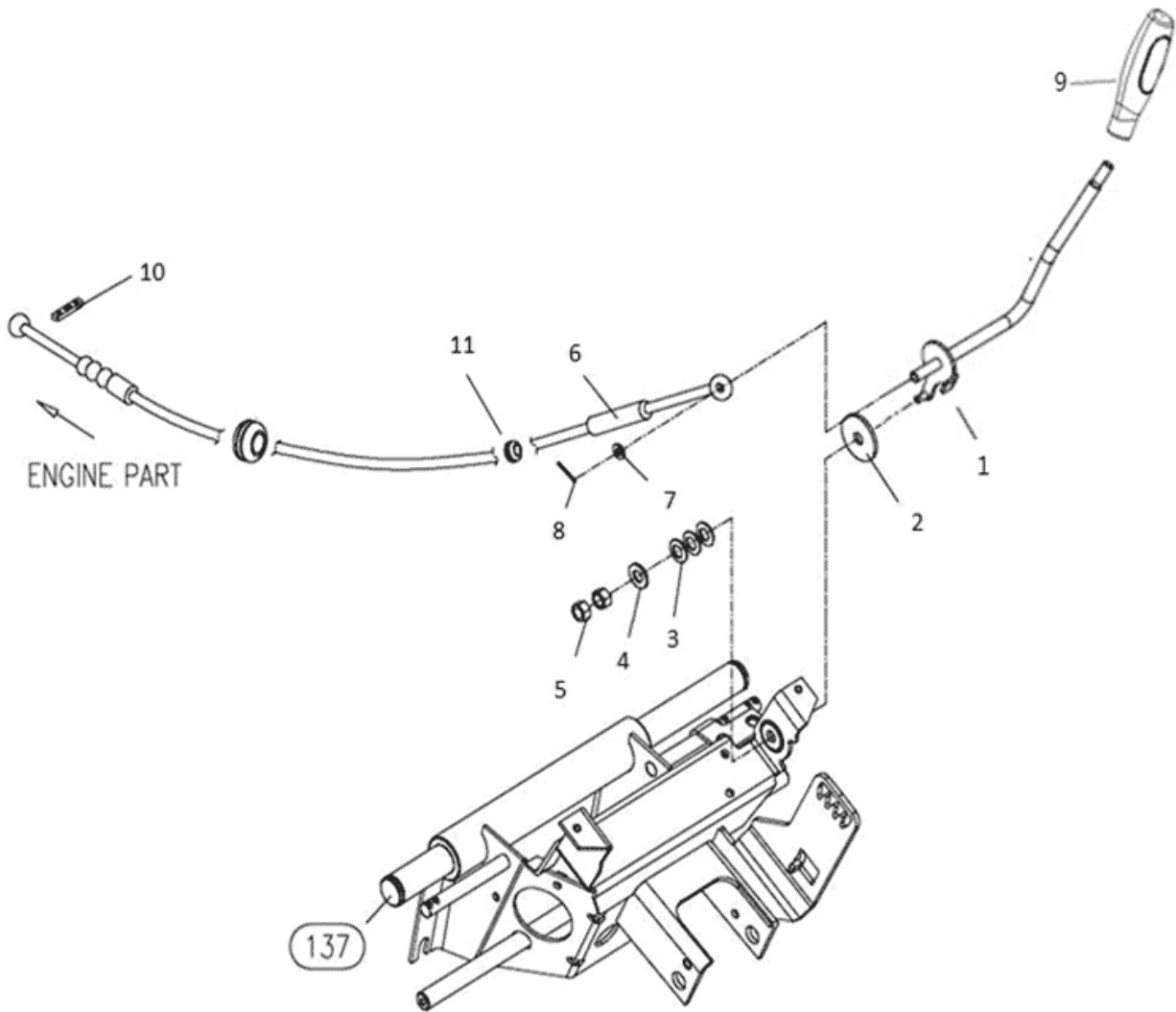
FIG

Branson 6225H(EU)
_IND_NEC(AC01649)

LEVER ACCELERATOR

Year/Month

2021-01



FIG

Branson 6225H(EU)
_IND_NEC(AC01649)

STEERING COLUMN(2019.10~)

Year/Month

2021-01

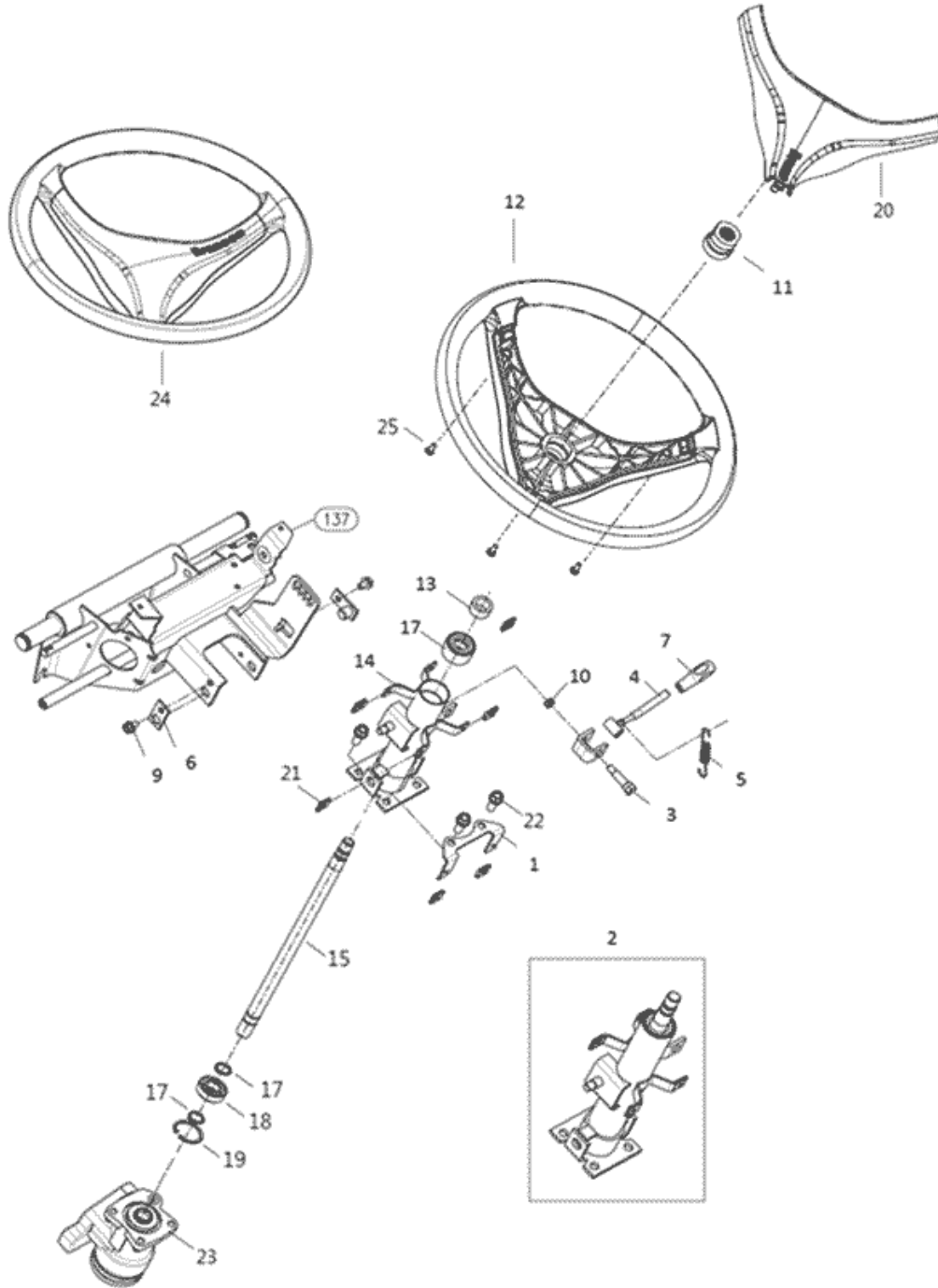


FIG		STEERING COLUMN(2019.10~)			Year/Month
Branson 6225H(EU) _IND_NEC(AC01649)					2021-01
KeyNo.	Part Number	Description	Quantity	Other	
1	TC65010000A4	BRACKET(COLUMCOVERR)	1		
1	TC65010000B4	BRACKET(COLUMCOVERR)	1		
2	TA00058976C	COLUMN ASS'Y	1		
2	TA00058976B	COLUMN ASS'Y	1		
2	TA00058976C	COLUMN ASS'Y	1		
3	TC65030000A4	TILTLEVERPIN	1		
3	TC65030000B4	TILTLEVERPIN	1		
4	TC65040000A4	TILTLEVER	1		
4	TC65040000B4	TILTLEVER	1		
5	TC65050000A4	TILTSPRING	1		
6	TC65060000A4	TILTPINASS'Y	2		
6	TC65060000B4	TILTPINASS'Y	2		
7	TA00015785A	LEVER, STAND	1		
9	26106-080122	Bolt, Hexa (8-12)	2		
10	26347-080002	Unut	1		
11	TA00048436A	U-NUT	1		
11	TA00048436B	U-NUT	1		
12	TA00048049A	STEERING WHEEL	1		
12	TA00048049B	STEERING WHEEL	1		
13	TC65130000A4	COVER,SHAFT	1		
14	NT0141A100B	COLUMN,STEERING	1		
14	NT0141A100B2	STEERINGCOLUMN	1		
15	TA00054109C	SHAFT, STEERING	1		
15	TA00054109B	SHAFT, STEERING	1		
15	TA00054109C	SHAFT, STEERING	1		
16	TC65020300A9	STEERINGSHAFT1	1		
17	22242-000200	SNAP RING, SHAFT (Φ 20)	1		
18	TA00060975A	CAP ROLLER	1		
19	22252-000450	RING, CIRCLIP (Φ 45)	1		
20	TA00048050B	COVER	1		
20	TA00048050B	COVER	1		
21	TTD7110000A4	SPEEDNUTNS5008	6		
21	TTD7110000B4	SPEED NUT NS5008	6		
22	26136-100252	SCREW, HEX FLANGE HEAD CAP	3		
23	NT33011000A3	PST VALVE ASSY	1		
23.10	NT33010000A3	P.S.TVALVE	1		
23.10	NT33010000B3	P.S.TVALVE	1		
23.10	NT33010000D3	P.S.TVALVE	1		
24	TA00048048C	STEERING WHEEL ASS'Y	1		
24	TA00048048B	STEERING WHEEL ASS'Y	1		
24	TA00048048C	STEERING WHEEL ASS'Y	1		
25	22587-480124	TAPPING SCREW	3		

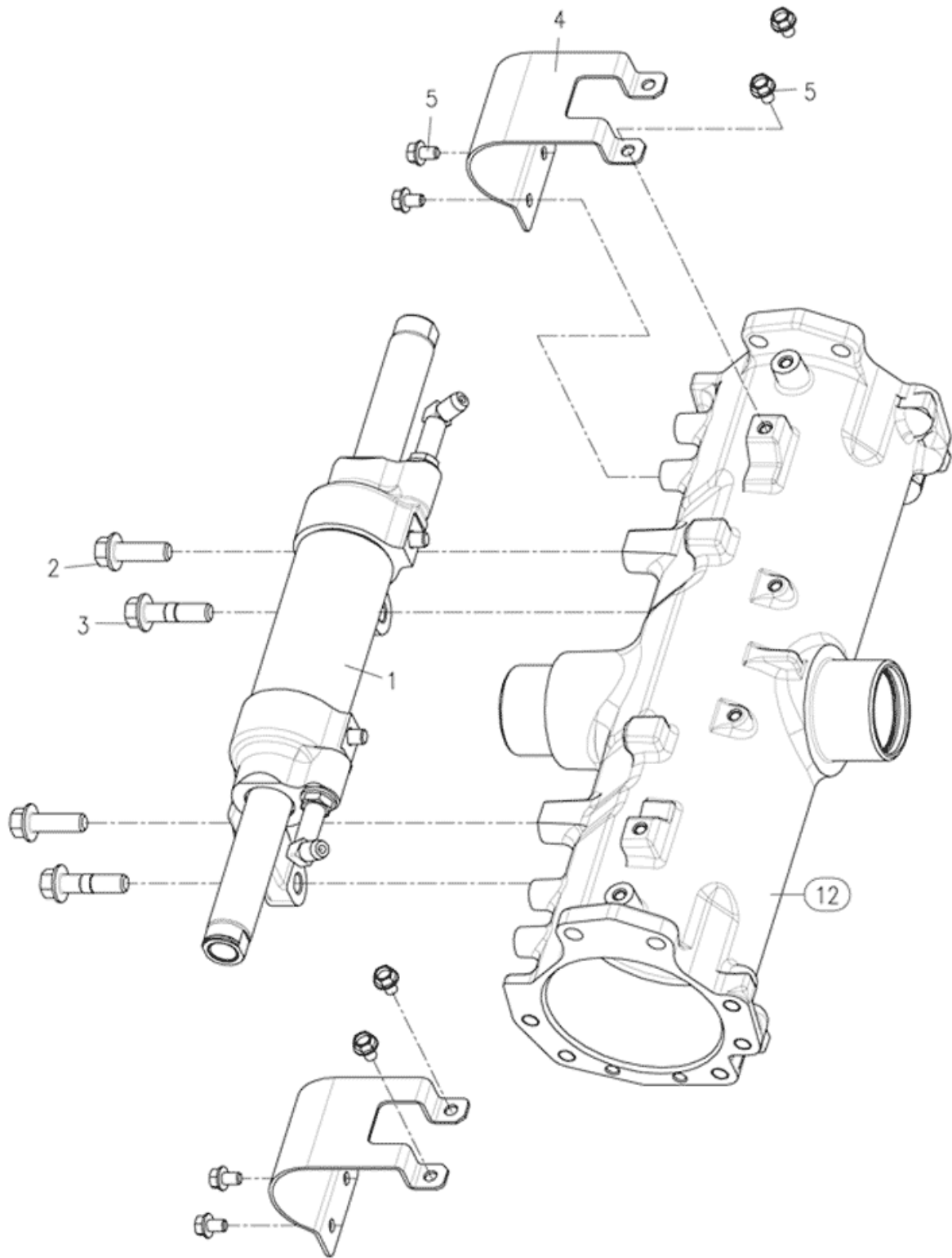
FIG

Branson 6225H(EU)
_IND_NEC(AC01649)

P.S.T CYLINDER

Year/Month

2021-01



FIG

Branson 6225H(EU)
_IND_NEC(AC01649)

SWITCH

Year/Month

2021-01

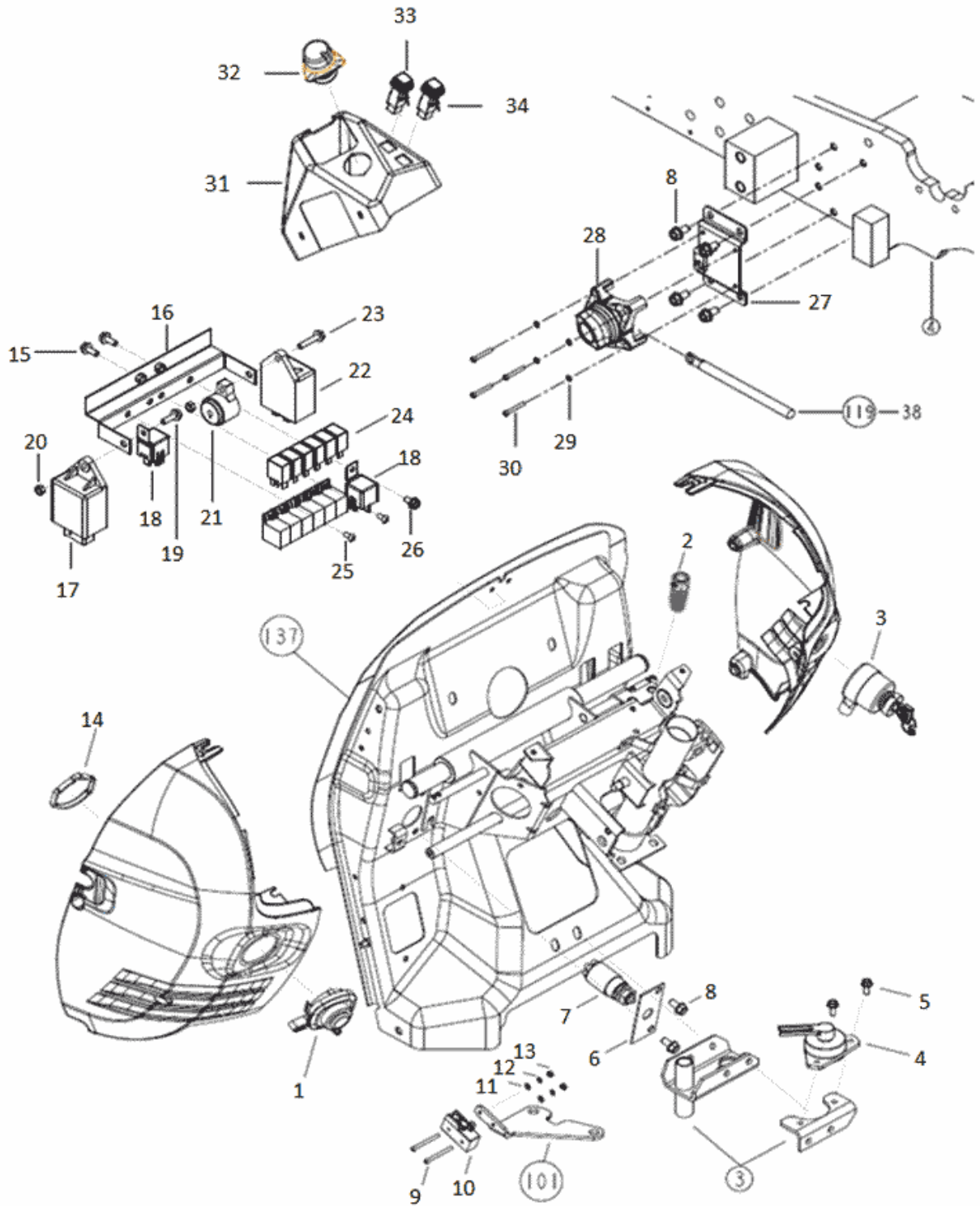


FIG		SWITCH			Year/Month
Branson 6225H(EU) _IND_NEC(AC01649)					2021-01
KeyNo.	Part Number	Description	Quantity	Other	
1	HA00000067A	COMBINATION SWITCH	1		
2	TZC5110000A3	STOPLAMPSWITCH	1		
3	TTC5030000C3	IGNITION SWITCH	1		
3	TTC5030000C3	IGNITION SWITCH	1		
4	TCD9110000B2	SWITCH ASS'Y	1		
5	26106-060162	HEXFLANGEBOLT	2		
9	26557-040452	+ SMALL BOLT	2		
10	FTC5110000A3	SWITCH, PTO CONNECT	1		
11	22137-040000	WASHER, PLAIN (Φ 04)	2		
12	22217-040000	WASHER, SPRING (Φ 04)	2		
13	26716-040002	HEXNUT	2		
14	TA00024270A	HOLDER, COMBINATION SWITCH	1		
15	26106-060162	HEXFLANGEBOLT	2		
16	TA00041890A	BRACKET ASS'Y(ELECTRONIC)	1		
16	TA00041890B	BRACKET ASS'Y(ELECTRONIC)	1		
17	HA00001349A	CONTROL UNIT	1		
18	FTB9160000A3	GLOW RELAY (12V-70A)	2		
19	26106-060202	HEXFLANGEBOLT	1		
20	26716-060002	HEX NUT (Φ6)	2		
21	RN66310000A3	Buzzer	1		
22	HA00000821A	FLASHER RELAY	1		
23	26106-060302	Bolt, Hexa (6-30)	1		
24	HA00000810A	MINI ISO RELAY	6		
25	26557-050102	SCREW	2		
26	26106-060122	HEX BOLT (6-12)	1		
27	TA00050916B	ELECTRIC SWITCH BRACKET	1		
27	TA00050916B	ELECTRIC SWITCH BRACKET	1		
28	HA00001352A	POWER DOWN SWITCH	1		
29	22217-040000	WASHER, SPRING (Φ 04)	4		
30	26557-040302	+SCREW	4		
31	TA00026232D	JOY-STICK COVE	1		
31	TA00026232B	JOY-STICK COVE	1		
31	TA00026232C	JOY-STICK COVE	1		
31	TA00026232D	JOY-STICK COVE	1		
32	HA00001225A	PTO SWITCH	1		
33	HA00001310A	HAZARD S/W	1		
34	HA00001311A	CRUISE S/W	1		
1003	C003	FIG.C003 MOVE	1		
1101	C101	FIG.C101 MOVE	1		
1119	C119A	FIG.C119-38 MOVE	1		
1137	C137	FIG.C137 MOVE	1		

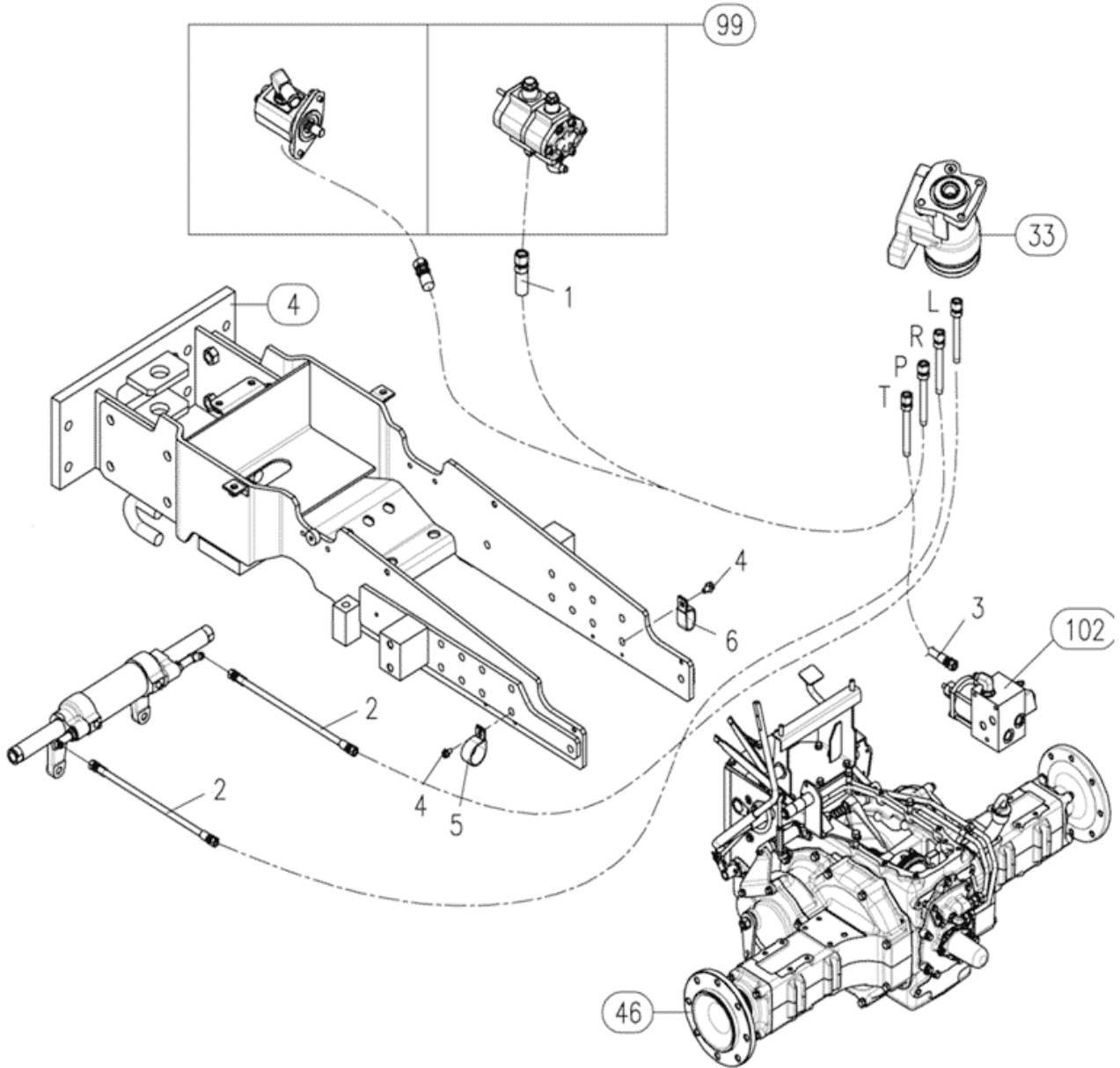
FIG

Branson 6225H(EU)
_IND_NEC(AC01649)

P.S.T PIPE

Year/Month

2021-01



FIG

Branson 6225H(EU)
_IND_NEC(AC01649)

STEERING COLUMN

Year/Month

2021-01

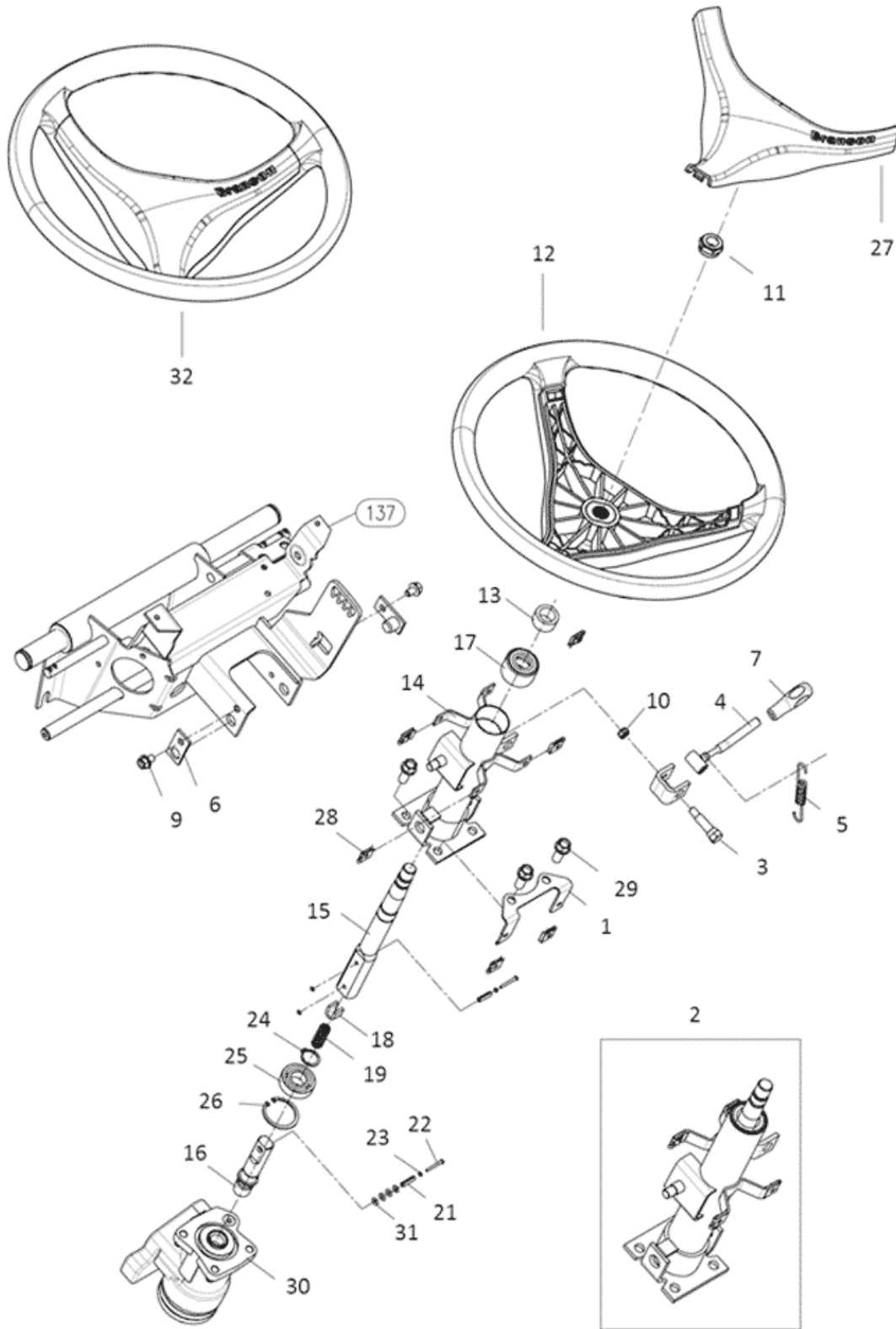


FIG		STEERING COLUMN			Year/Month
Branson 6225H(EU) _IND_NEC(AC01649)					2021-01
KeyNo.	Part Number	Description	Quantity	Other	
1	TC65010000A4	BRACKET(COLUMCOVERR)	1		
1	TC65010000B4	BRACKET(COLUMCOVERR)	1		
2	NT01410000A2	COLUMASS`Y	1		
3	TC65030000A4	TILTLEVERPIN	1		
3	TC65030000B4	TILTLEVERPIN	1		
4	TC65040000A4	TILTLEVER	1		
4	TC65040000B4	TILTLEVER	1		
5	TC65050000A4	TILTSPRING	1		
6	TC65060000A4	TILTPINASS`Y	2		
6	TC65060000B4	TILTPINASS`Y	2		
7	TA00015785A	LEVER, STAND	1		
9	26106-080122	Bolt, Hexa (8-12)	2		
10	26347-080002	Unut	1		
11	TA00048436A	U-NUT	1		
11	TA00048436B	U-NUT	1		
12	TA00048049A	STEERING WHEEL	1		
12	TA00048049B	STEERING WHEEL	1		
13	TC65130000A4	COVER,SHAFT	1		
14	TC65020100A2	STEERINGCLUMN	1		
15	FT29150000A3	STEERINGSHAFT	1		
16	TC65020300A9	STEERINGSHAFT1	1		
17	TC65020400A9	COLUMNBUSH	1		
18	TC65020500A4	LINER	1		
19	TC65020600A9	SPRING,COIL	1		
20	24311-000060	O-RING, DYNAMIC (Φ6)	4		
21	22351-050020	PIN, SPRING (5-20)	2		
22	22621-300260	RIVET	2		
23	22137-030000	WASHER, PLAIN (Φ 03)	4		
24	22242-000200	SNAP RING, SHAFT (Φ 20)	1		
25	24107-060044	Bearing, Ball (#6004) Dubble Cap	1		
26	22252-000420	RING, CIRCLIP (Φ 42)	1		
27	TA00048050A	COVER	1		
27	TA00048050B	COVER	1		
28	NT33010000A3	P.S.TVALVE	1		
28	NT33010000B3	P.S.TVALVE	1		
28	NT33010000D3	P.S.TVALVE	1		
29	26136-100252	SCREW, HEX FLANGE HEAD CAP	3		
30	NT33011000A3	PST VALVE ASSY	1		
31	24311-000060	O-RING, DYNAMIC (Φ6)	4		
32	TA00048048A	STEERING WHEEL ASS`Y	1		
32	TA00048048B	STEERING WHEEL ASS`Y	1		
32	TA00048048C	STEERING WHEEL ASS`Y	1		
1137	C137	FIG.C137 MOVE	1		

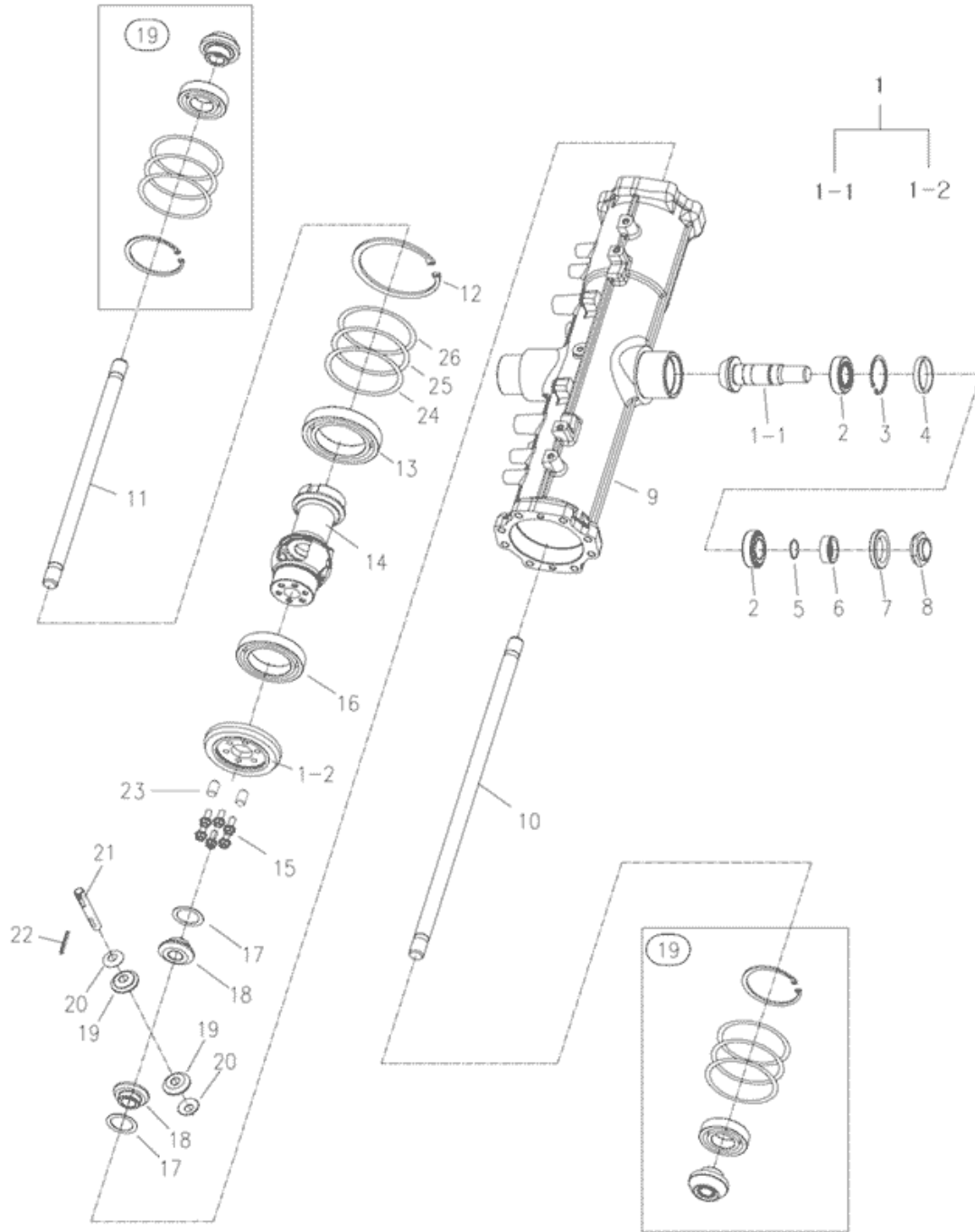
FIG

Branson 6225H(EU)
_IND_NEC(AC01649)

RING GEAR, DIFFERENTIAL GEAR(2019.10~)

Year/Month

2021-01



FIG

Branson 6225H(EU)
_IND_NEC(AC01649)

GEAR CASE, FRONT AXLE(2019.10~)

Year/Month

2021-01

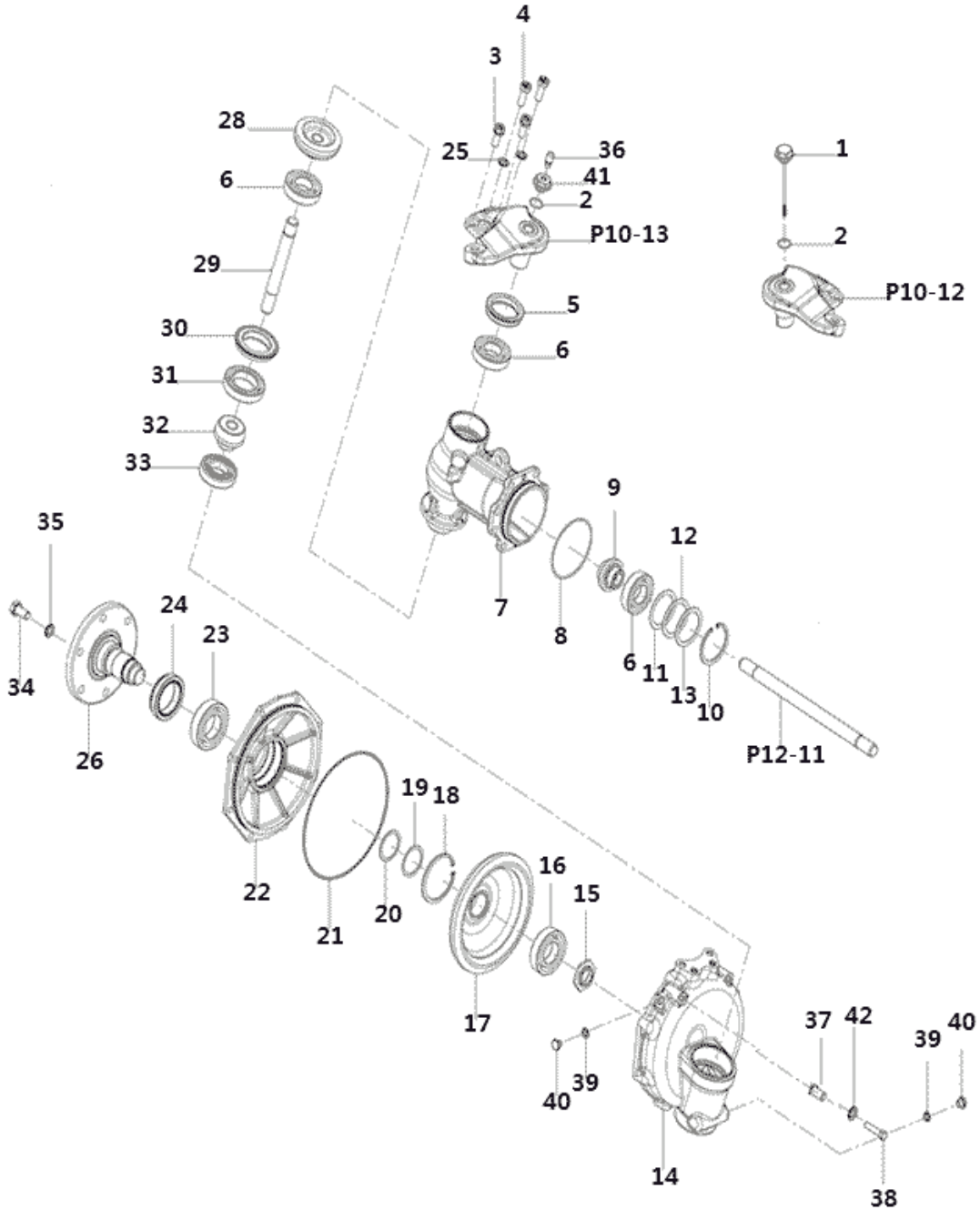


FIG		GEAR CASE, FRONT AXLE(2019.10~)			Year/Month
Branson 6225H(EU) _IND_NEC(AC01649)					2021-01
KeyNo.	Part Number	Description	Quantity	Other	
1	TA00033805A	OIL GUAGE	1		
2	24311-000220	O-RING, DYNAMIC (Φ22)	2		
3	TA00033468B	BOLT W/ WASHER	4		
3	TA00033468B	BOLT W/ WASHER	4		
3	TA00033468C	BOLT W/ WASHER	4		
4	TA00033475A	RIMER BOLT	4		
4	TA00033475B	SPACER	4		
5	FE78010000B	OIL SEAL (55X72X13.5)	2		
5	FE78010000B	OIL SEAL (55X72X13.5)	2		
6	24101-062074	BALL BEARING (#6207)	6		
7	TA00048728A	CASE, FRONT GEAR	2		
8	24321-001050	O-RING	2		
9	TA00033461A	PINION, FRONT 1ST SHAFT	2		
10	22252-000720	RING, CIRCLIP (Φ 72)	2		
11	TA00033489A	SHIM 0.2T	2		
12	TA00033488A	SHIM 0.3T	2		
13	TA00033487A	SHIM 0.5T	2		
14	TA00033458B	GEAR BOX, FRONT	2		
14	TA00033458B	GEAR BOX, FRONT	2		
15	TA00033481A	LOCK NUT	2		
16	24101-062084	Bearing, Ball (#6208)	2		
17	TA00033474A	GEAR, BEVEL 49T	2		
18	22252-000850	RING, CIRCLIP (Φ 85)	2		
19	TA00033486A	SHIM 0.2T	1		
20	TA00033485A	SHIM 0.5T	1		
21	TA00033939A	O RING	2		
22	TA00033459B	BEARING CASE, FRONT	1		
22	TA00033459B	BEARING CASE, FRONT	1		
23	24101-062094	BALL BEARING (#6209)	2		
24	TA00041359A	OILSEAL	2		
25	22217-120000	WASHER, SPRING (Φ 12)	2		
26	TA00033460A	SPINDLE, FRONT	2		
26	TA00033460B	SPINDLE, FRONT	2		
27	TA00033469A	BOLT W/ WASHER	16		
27	TA00033469B	BOLT W/ WASHER	16		
28	TA00033463A	FRONT 2ND AXLE LH	2		
29	TA00033464A	FRONT 2ND SHAFT	2		
30	TC60110000A3	SEAL	2		
31	24101-060104	Bearing, Ball (#6010)	2		
32	TA00033473A	GEAR, BEVEL 11T	2		
33	TC60340000A4	BEARING(TM207C3)	2		
34	TD23120000A4	BOLT	12		
34	TD23120000B4	BOLT	12		
35	22217-140000	WASHER, SPRING (Φ 14)	12		
36	TA00049842A	AIR BREATHER	1		

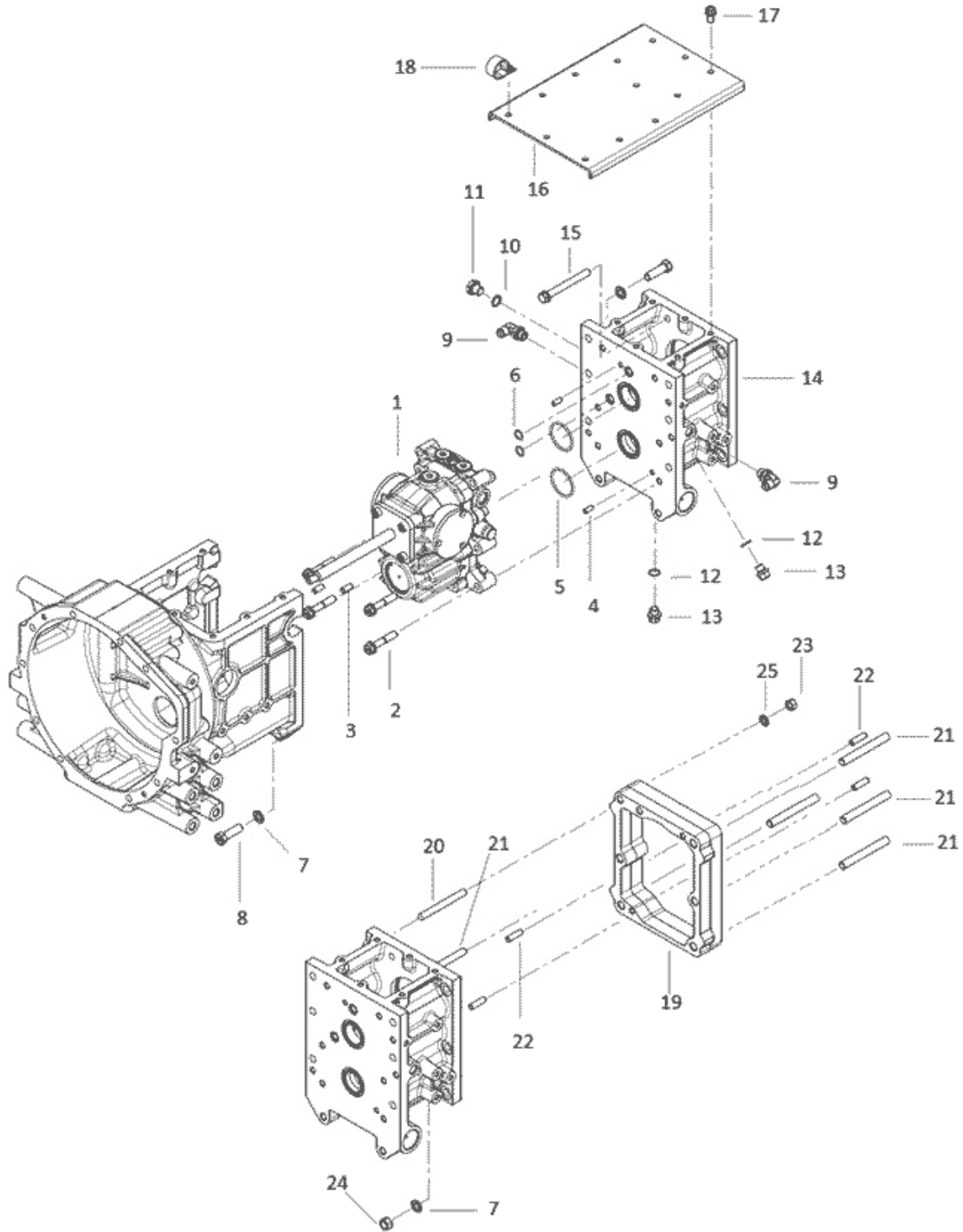
FIG

Branson 6225H(EU)
_IND_NEC(AC01649)

HST HOUSING(2019.10~)

Year/Month

2021-01



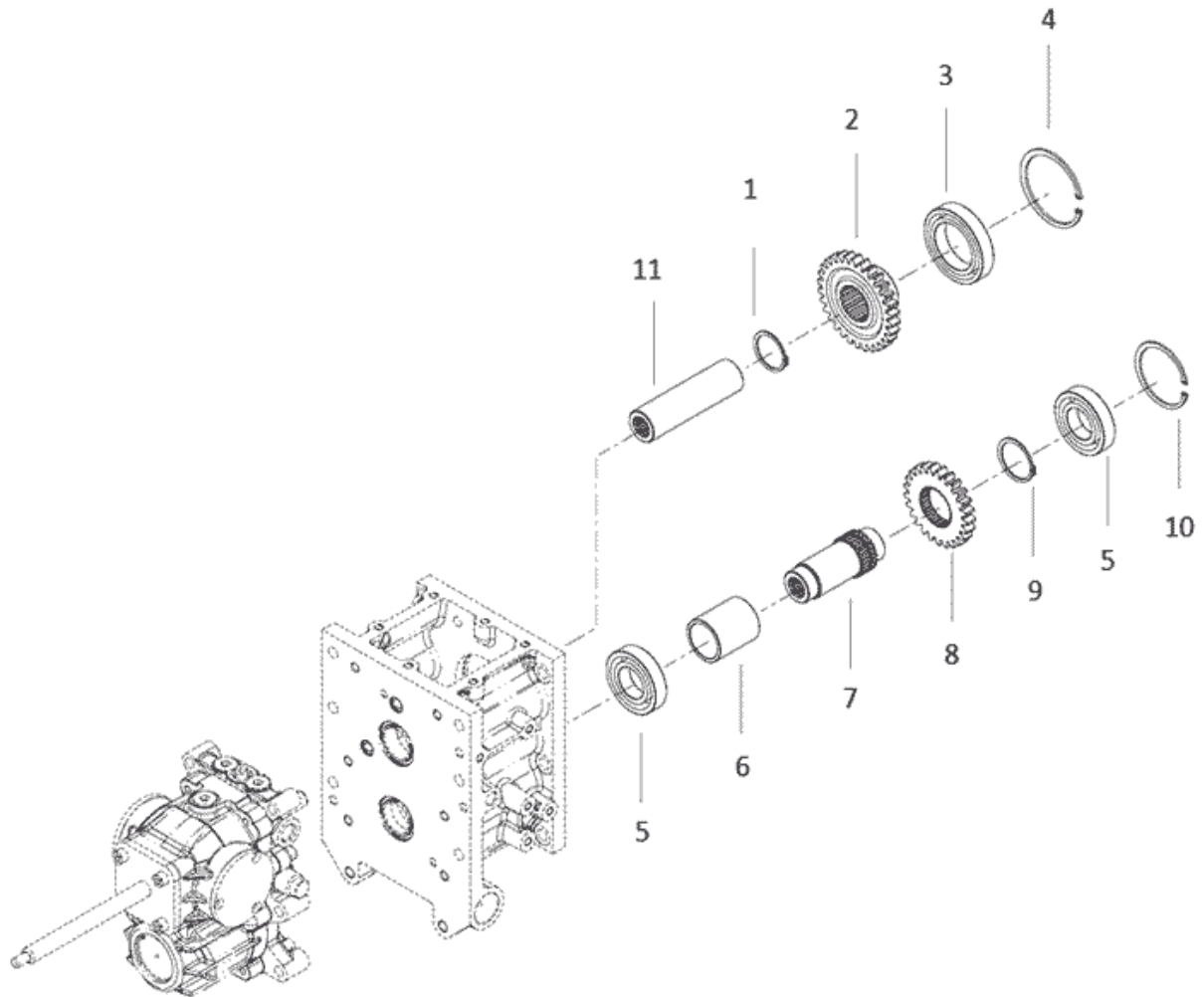
FIG

Branson 6225H(EU)
_IND_NEC(AC01649)

HST GEAR(2019.10~)

Year/Month

2021-01



FIG

Branson 6225H(EU)
_IND_NEC(AC01649)

FRONT DRIVE & RANGE SHIFT GEAR
(2019.10~)

Year/Month

2021-01

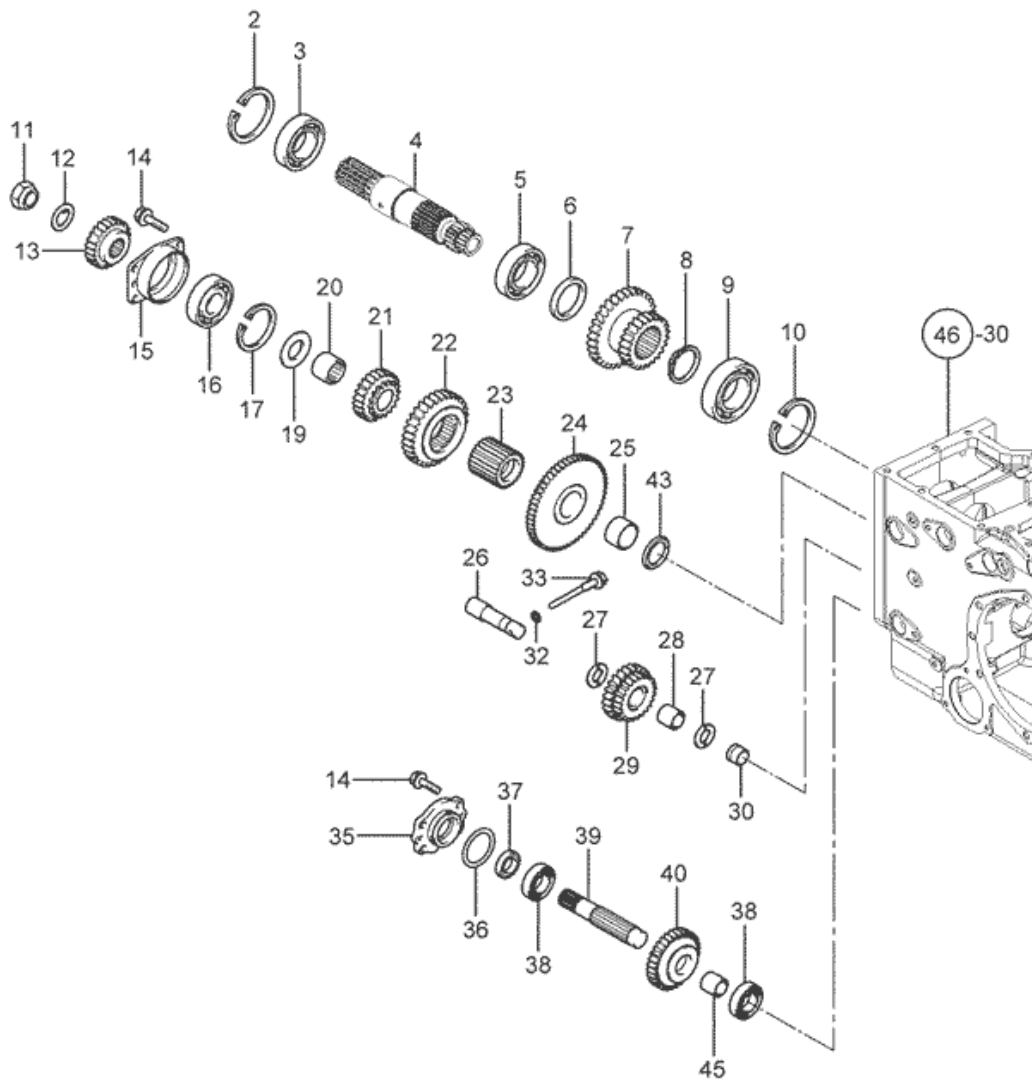


FIG		FRONT DRIVE & RANGE SHIFT GEAR (2019.10~)			Year/Month
Branson 6225H(EU) _IND_NEC(AC01649)					2021-01
KeyNo.	Part Number	Description	Quantity	Other	
2	22252-000850	RING, CIRCLIP (Φ 85)	1		
3	24101-062094	BALL BEARING (#6209)	1		
4	TA00015849A	SHAFT GEAR 16T(HST)	1		
5	24101-060104	Bearing, Ball (#6010)	1		
6	TN43060000A4	COLLAR	1		
7	TA00050157A	RANGE SHIFT DRIVEN GEAR 3ND	1		
8	22242-000500	SNAP RING, SHAFT (Φ50)	1		
9	24101-063074	Bearing, Ball (#6307)	1		
10	22252-000800	RING, CIRCLIP (Φ 80)	1		
11	TN43110000A4	LOCKNUT	1		
11	TN43110000B4	LOCKNUT	1		
12	TT57020000A4	WASHER	1		
13	TN43130000A3	GEAR25FRONTDRIVE	1		
14	26013-080202	Bolt, Hexa (8-20)	8		
15	TN43150000A3	CASEBEARING	1		
16	24101-063064	Bearing, Ball (#6306)	1		
17	22252-000720	RING, CIRCLIP (Φ 72)	1		
19	TN43190000A4	THRUSTWASHER	1		
20	24161-323826	BEARING	1		
20.10	24161-323827	Bearing, Needle (#32-38-27)	1	delete	
21	TA00050156A	RANGE SHIFT DRIVE GEAR 3ND	1		
22	TN43220000B3	GEAR 30T,RANGE SHIFT 2ND	1		
22	TN43220000C3	2ND GEAR, RANGE SHIFT(30T)	1		
23	TN43230000B3	CALLAR	1		
23	TN43230000C3	SPLINE COLLAR	1		
23	TN43230000D3	CALLAR	1		
24	TN43240000B3	GEAR 56T,SUB SHIFT 1ST	1		
25	TT57080000B4	BUSH	1		
25	TT57080000B4	BUSH	1		
26	TN43260000A4	SHAFT, FRONT DRIVE IDLE	1		
26	TN43260000B4	SHAFTFRONTDRIVEIDLE	1		
27	TN43270000A4	THRUSTWASHER	2		
28	24161-202825	NEEDLE BEARIN (#20-28-25)	1		
29	TN43290000A3	GEARFRONTDRIVEIDLE	1		
30	TN43300000A4	COLLAR	1		
32	23414-100000	PLAIN WASHER (D10)	1		
33	TN43330000A4	BOLT	1		
33	TN43330000B4	BOLT	1		
35	TN43350000B3	CASEOILSEAL	1		
35	TN43350000B3	CASEOILSEAL	1		
36	TN43360000A4	O-RING	1		
37	24421-254008	Seal, Oil (#25-40-08)	1		
38	24101-062054	Bearing, Ball (#6205)	2		
39	TN43390000A3	SHAFTFRONTDRIVELINE	1		
40	TN43400000A3	GEARFRONTDRIVE	1		

FIG

Branson 6225H(EU)
_IND_NEC(AC01649)

GEAR,IND PTO SPEED CHANGE(2019.10~)

Year/Month

2021-01

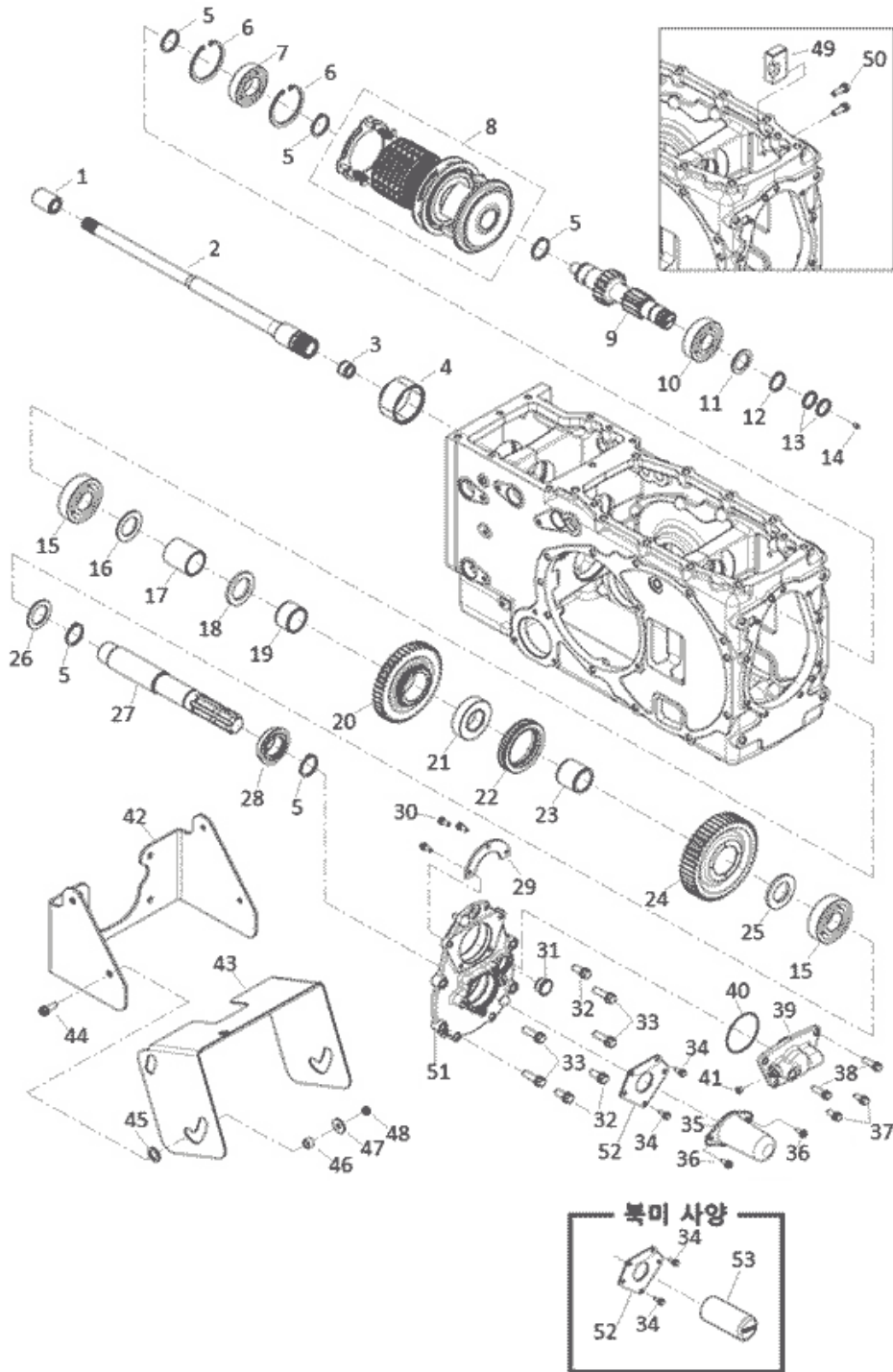


FIG		GEAR,IND PTO SPEED CHANGE(2019.10~)			Year/Month
Branson 6225H(EU) _IND_NEC(AC01649)					2021-01
KeyNo.	Part Number	Description	Quantity	Other	
1	TN4520000A4	JOINT	1		
2	TA00015848A	PTO SHAFT(HST)	1		
3	24161-182417	Bearing, Needle (#18-24-17)	1		
4	NT45480000A3	PTO COUPLING	1		
5	22242-000350	SNAP RING, SHAFT (Φ 35)	5		
6	22252-000720	RING, CIRCLIP (Φ 72)	2		
7	24101-062074	BALL BEARING (#6207)	1		
8	TA00026514D	PTO CLUTCH PACK	1		
8	TA00026514B	PTO CLUTCH PACK	1		
8	TA00026514C	PTO CLUTCH PACK	1		
8	TA00026514D	PTO CLUTCH PACK	1		
9	NT45920000A2	SHAFT, PTO SHIFT	1		
10	24101-063064	Bearing, Ball (#6306)	1		
11	TN45520000A4	COLLAR	1		
12	22242-000300	SNAP RING, SHAFT (Φ 30)	1		
13	TT64070000B4	SEAL RING	2		
13	TT64070000B4	SEAL RING	2		
14	TT64080000A4	RETAININGSCREWM7X1	1		
15	24101-063074	Bearing, Ball (#6307)	2		
16	NT45670000B4	THRUST WASHER	1		
16	NT45670000B4	THRUST WASHER	1		
17	NT45680000B4	SPACER	1		
17	NT45680000B4	SPACER	1		
18	NT45440000B4	COLLAR	1		
18	NT45440000B4	COLLAR	1		
18	NT45440000C4	COLLAR	1		
19	TA00033210A	NEEDLE BUSH D	2		
21	TA00033211B	GEAR 46T, PTO	1		
21	TA00033211B	GEAR 46T, PTO	1		
21	TA00033211C	GEAR 46T, PTO	1		
22	TZ45100000A3	HUB,P.T.O	2		
22	TZ45100000B3	HUB,P.T.O	2		
23	TZ45110000C4	SLEEVE,P.T.O	2		
23	TZ45110000C4	SLEEVE,P.T.O	2		
24	TA00033209A	NEEDLE BUSH B	1		
26	TA00033212B	GEAR 49T, PTO	1		
26	TA00033212B	GEAR 49T, PTO	1		
26	TA00033212C	GEAR 49T, PTO	1		
27	TZ45140000A4	COLLAR	1		
27	TZ45140000B4	COLLAR	1		
28	TN45120000A4	WASHER	1		
29	NT45130000B3	shaft, PTO	1		
30	TT62040000A3	PTO OIL SEAL QLF35X60X19	1		
31	NT45640000A4	Bearing Cover	1		
32	26013-060162	Bolt, Hexa (6-16)	3		

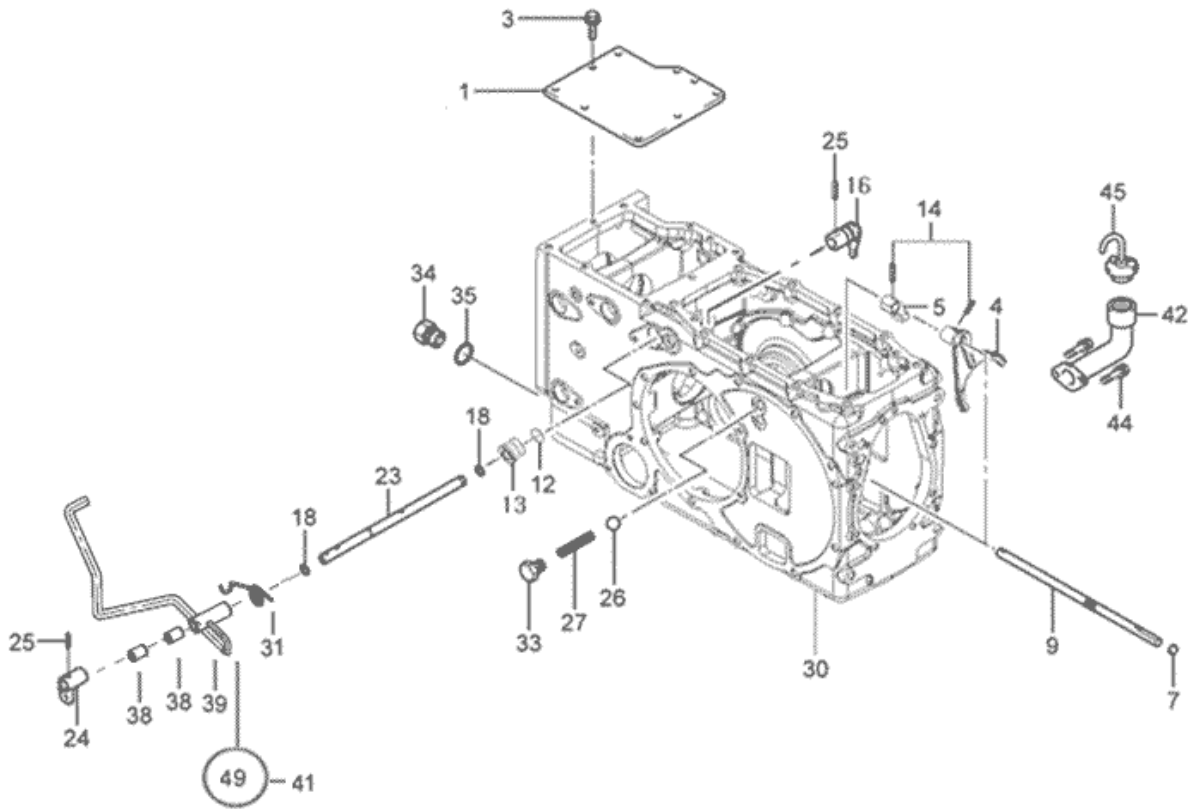
FIG

Branson 6225H(EU)
_IND_NEC(AC01649)

REAR AXLE CASE, PTO SHIFT(2019.10~)

Year/Month

2021-01



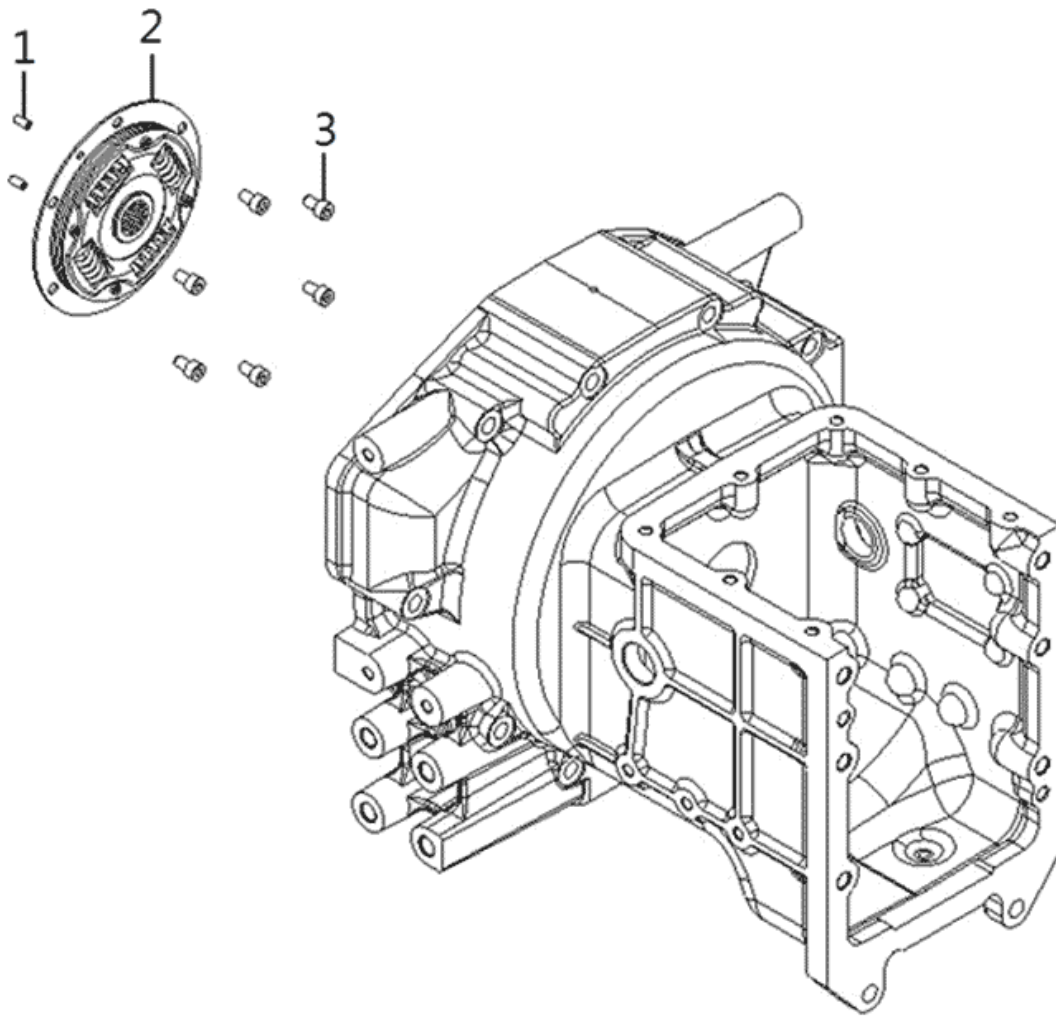
FIG

Branson 6225H(EU)
_IND_NEC(AC01649)

PTO DAMPER

Year/Month

2021-01



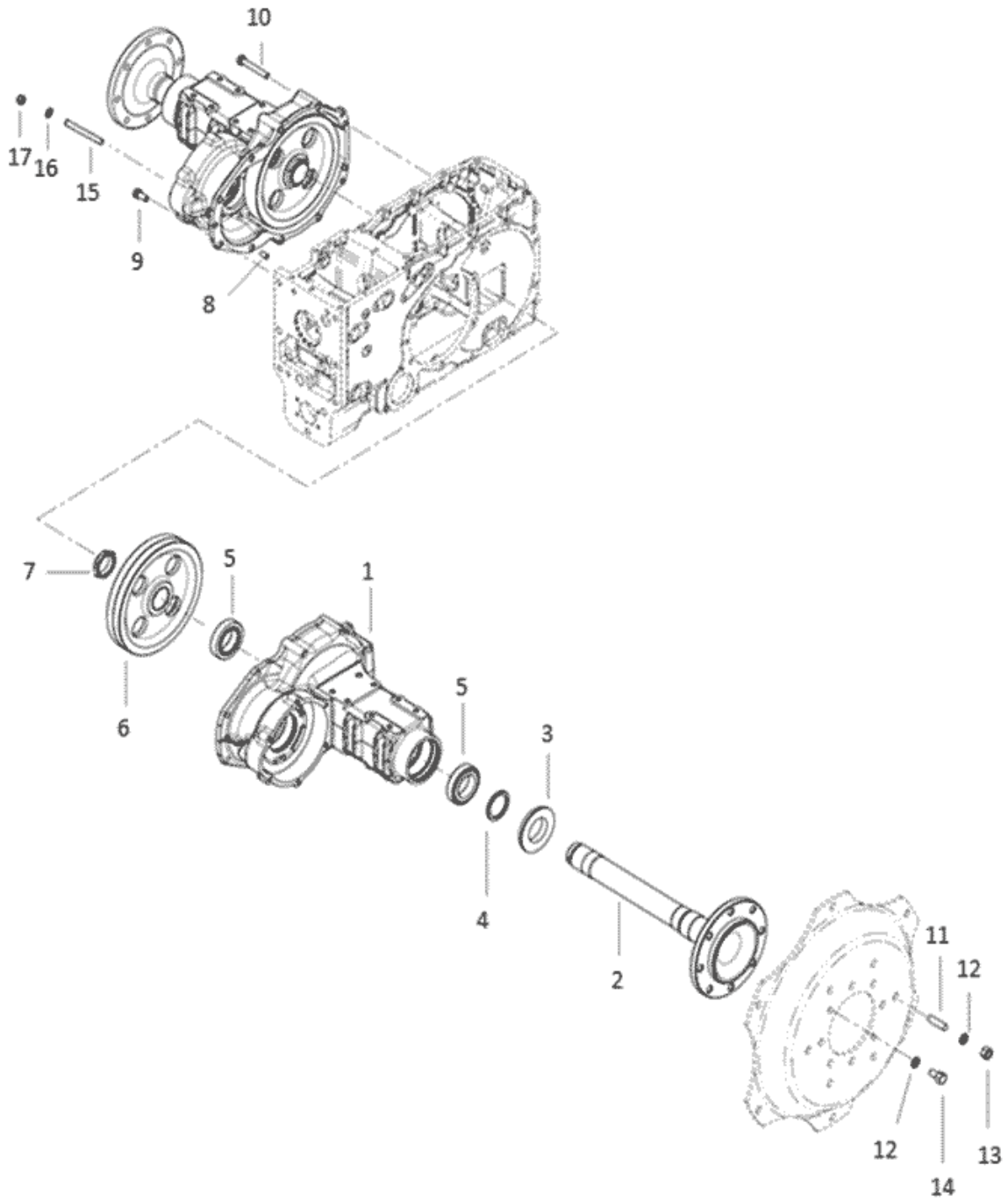
FIG

Branson 6225H(EU)
_IND_NEC(AC01649)

HOUSING, REAR AXLE(2019.10~)

Year/Month

2021-01



FIG

Branson 6225H(EU)
_IND_NEC(AC01649)

DRIVING PART, REAR AXLE(2019.10~)

Year/Month

2021-01

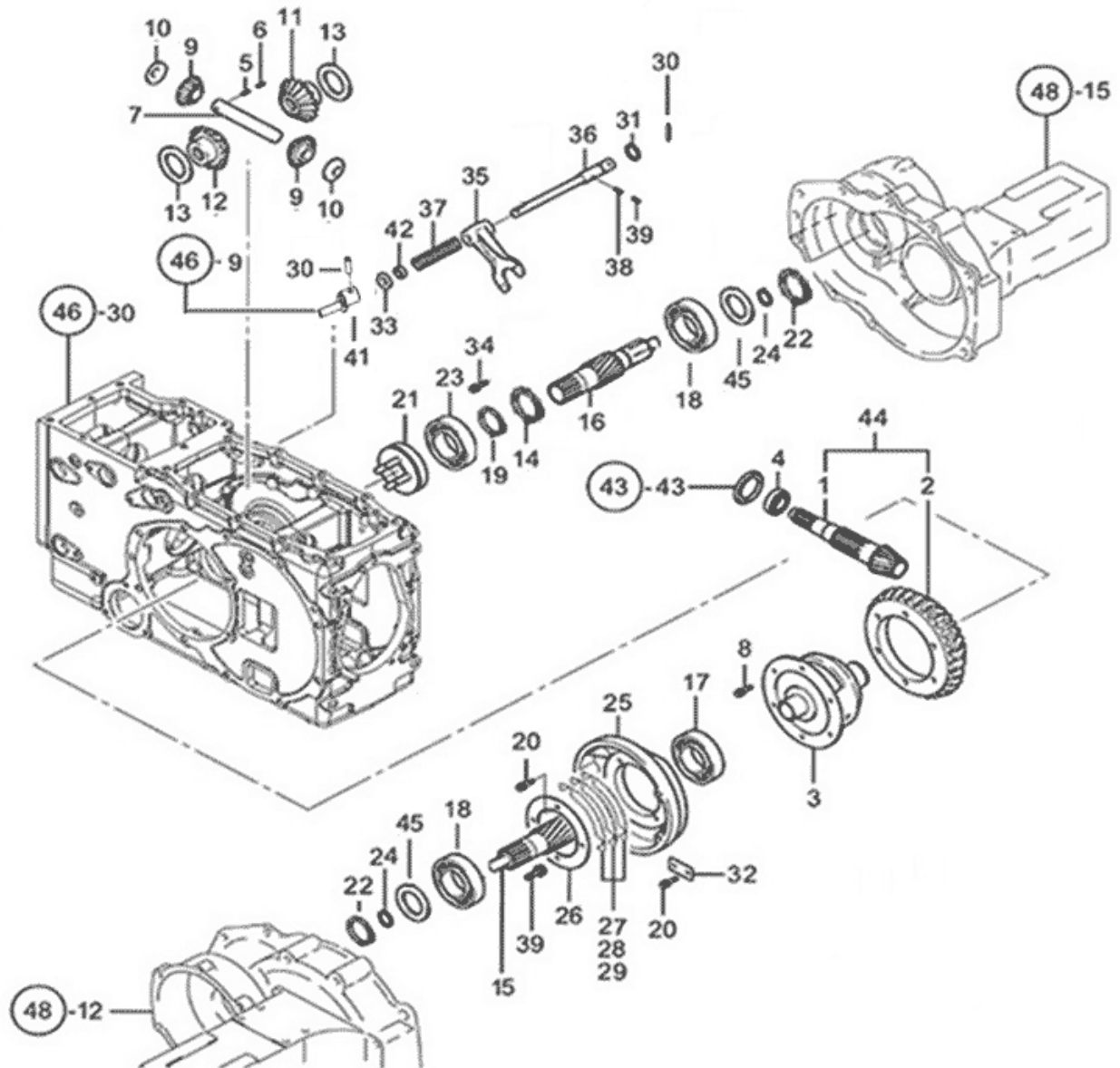


FIG		DRIVING PART, REAR AXLE(2019.10~)		Year/Month
Branson 6225H(EU) _IND_NEC(AC01649)				2021-01
KeyNo.	Part Number	Description	Quantity	Other
1	TN49510000B2	COUNTERSAHFT	1	
1	TN49510000B2	COUNTERSAHFT	1	
2	TN49520000D2	RINGGEAR	1	
2	TN49520000D2	RINGGEAR	1	
3	TN49030000E2	CASE,DIFFERENTIAL	1	
3	TN49030000E2	CASE,DIFFERENTIAL	1	
4	TT78020000A3	BEARINGNJ307R	1	
5	22312-060360	PIN, DOWEL (6-36)	1	
6	22351-060032	PIN, SPRING (6-32)	1	
7	TF64080000A4	PINIONSHAFT	1	
8	TF64090000A4	BOLT	6	
8	TF64090000B4	BOLT	6	
9	TF64100000B3	PINION	2	
9	TF64100000B3	PINION	2	
10	TF64110000A4	PINIONLINER	2	
11	TF64120000C3	차동 사이드기어(A)	1	
12	TF64130000A3	DIFF.SIDEGEAR(B)	1	
13	TF64140000B4	SIDEGEARLINER	2	
14	22252-000800	RING, CIRCLIP (Φ 80)	1	
15	TA00032603E	FINAL PINION(L)	1	
15	TA00032603B	FINAL PINION(L)	1	
15	TA00032603C	FINAL PINION(L)	1	
15	TA00032603D	FINAL PINION(L)	1	
15	TA00032603E	FINAL PINION(L)	1	
16	TA00032596E	FINAL PINION(R)	1	
16	TA00032596B	FINAL PINION(R)	1	
16	TA00032596C	FINAL PINION(R)	1	
16	TA00032596D	FINAL PINION(R)	1	
16	TA00032596E	FINAL PINION(R)	1	
17	24101-062114	Bearing, Ball (#6211)	1	
18	TF64190000A4	BALL BEARING (#6308HL1) -> TF64190000A3	2	
19	22242-000500	SNAP RING, SHAFT (Φ50)	1	
20	26013-080202	Bolt, Hexa (8-20)	4	
21	TF64250000B3	THRUST, DIFF-LOCK ASSY	1	
22	22252-000900	RING, CIRCLIP (Φ 90)	2	
23	24101-060104	Bearing, Ball (#6010)	1	
24	22242-000400	SNAP RING, SHAFT (Φ 40)	2	
25	TN49550000B2	CARRIOR	1	
26	TN49590000A4	RETAINER	1	
27	TZ49560000A4	SHIMA	3	
28	TZ49570000A4	SHIMB	3	
29	TZ49580000A4	SHIMC	2	
30	22351-080032	PIN, SPRING (8-32)	2	
31	24311-000160	O-RING, DYNAMIC (Φ16)	1	
32	TB32360000A4	RETAINER	2	

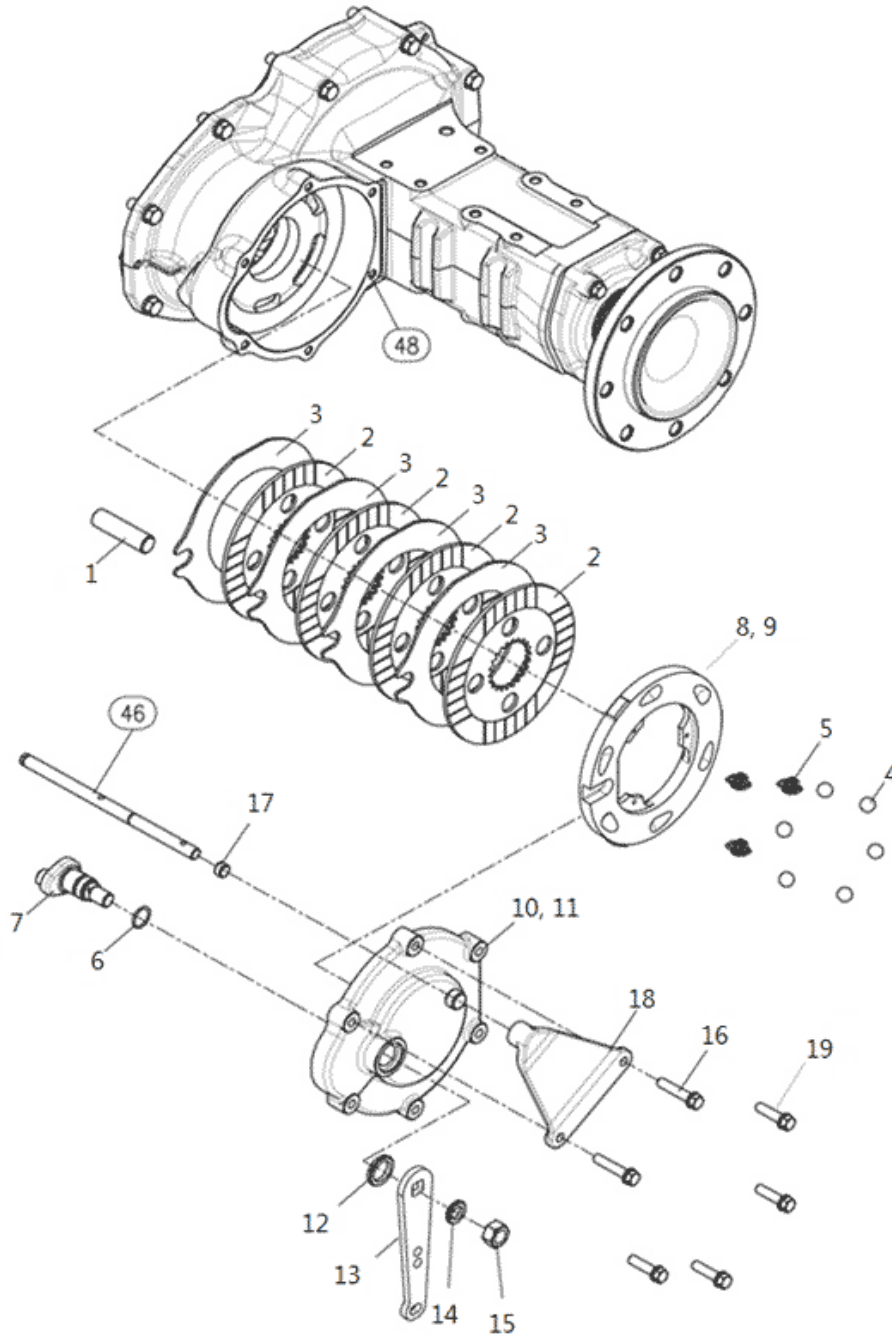
FIG

Branson 6225H(EU)
_IND_NEC(AC01649)

BRAKE(2019.10~)

Year/Month

2021-01



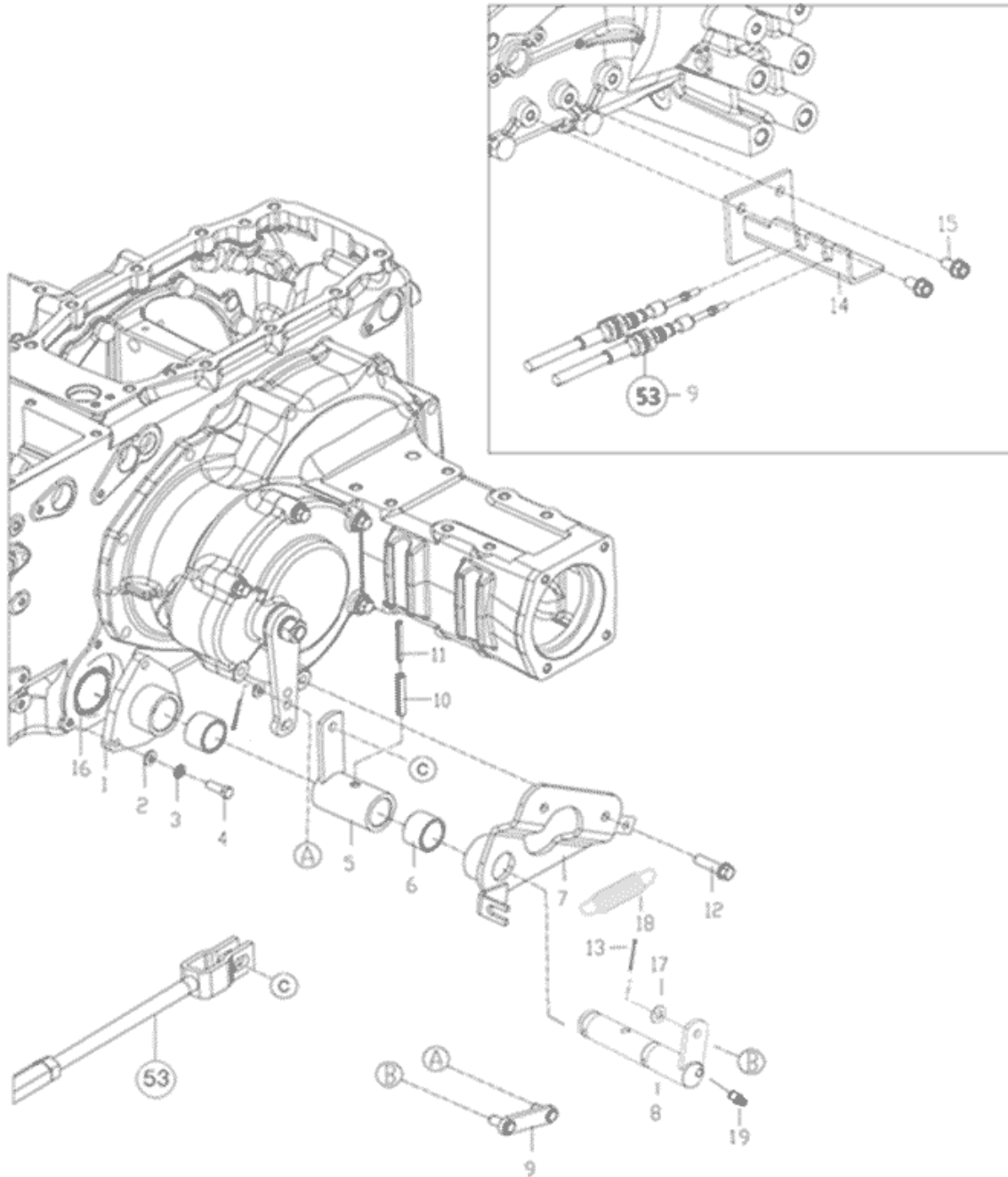
FIG

Branson 6225H(EU)
_IND_NEC(AC01649)

SUPPORT, BRAKE(2019.10~)

Year/Month

2021-01



FIG

Branson 6225H(EU)
_IND_NEC(AC01649)

BONNET(2019.10~)

Year/Month

2021-01

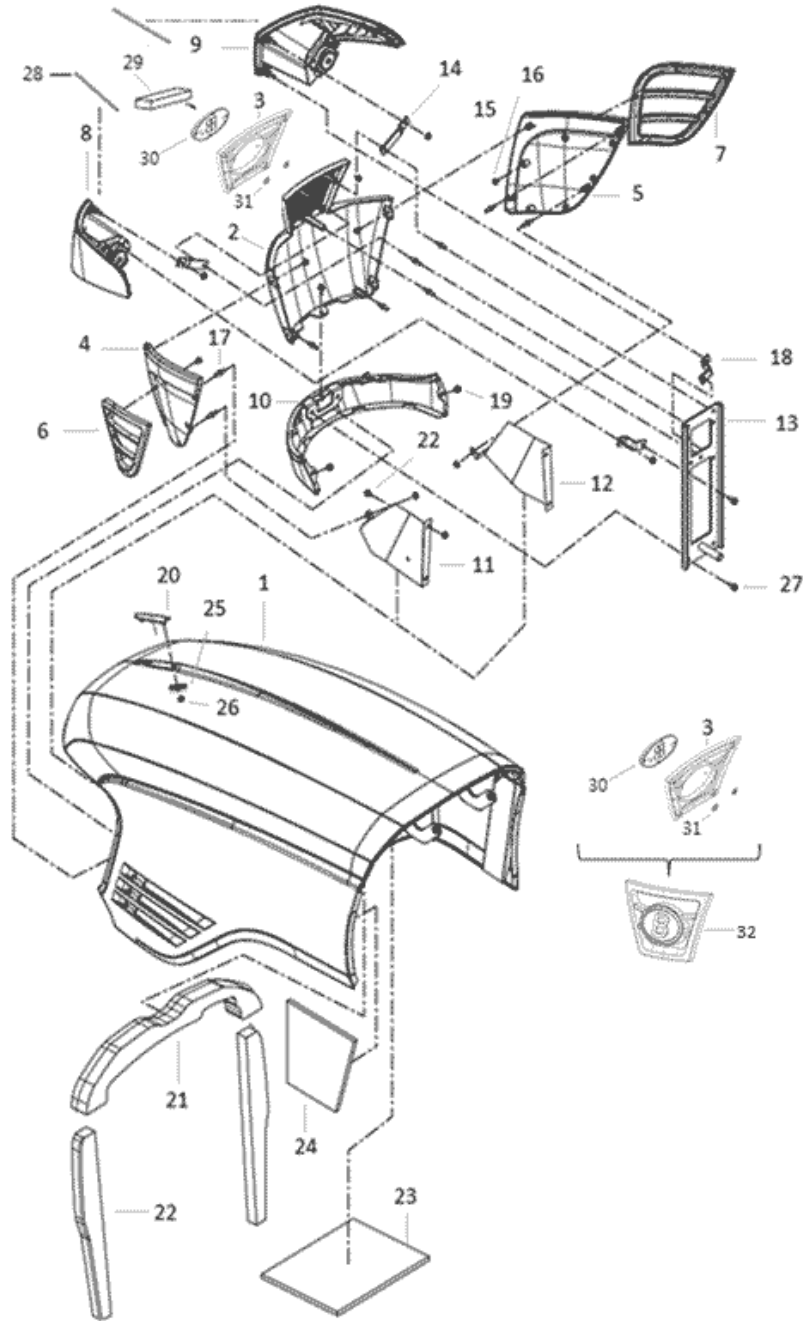


FIG		BONNET(2019.10~)			Year/Month
Branson 6225H(EU) _IND_NEC(AC01649)					2021-01
KeyNo.	Part Number	Description	Quantity	Other	
1	TA00043948A	BONNET FRAME ASSY	1		
2	TA00042482B	FRONT MASK, MIDDLE	1		
2	TA00042482B	FRONT MASK, MIDDLE	1		
2	TA00042482C	FRONT MASK, MIDDLE	1		
3	TA00052249A	GRILL, FRONT MASK	1		
3	TA00052249B	GRILL, FRONT MASK	1		
4	TA00042483B	FRONT MASK, LH	1		
4	TA00042483B	FRONT MASK, LH	1		
5	TA00042485B	FRONT MASK, RH	1		
5	TA00042485B	FRONT MASK, RH	1		
6	TA00042484B	FRONT MASK GRIL, LH	1		
6	TA00042484B	FRONT MASK GRIL, LH	1		
6	TA00042484C	FRONT MASK GRIL, LH	1		
7	TA00042486B	FRONT MASK GRIL, RH	1		
7	TA00042486B	FRONT MASK GRIL, RH	1		
7	TA00042486C	FRONT MASK GRIL, RH	1		
8	HA00001143B	HEAD LAMP(L)	1		
8	HA00001143B	HEAD LAMP(L)	1		
8	HA00001143C	HEAD LAMP(L)	1		
8	HA00001143D	HEAD LAMP(L)	1		
8	HA00001143E	HEAD LAMP(L)	1		
9	HA00001144B	HEAD LAMP(R)	1		
9	HA00001144B	HEAD LAMP(R)	1		
9	HA00001144C	HEAD LAMP(R)	1		
9	HA00001144D	HEAD LAMP(R)	1		
9	HA00001144E	HEAD LAMP(R)	1		
10	TA00043949B	HOOD(LOWER) ASSY	1		
10	TA00043949B	HOOD(LOWER) ASSY	1		
11	TA00044323A	WIRE NETTING ASS'Y(L)	1		
12	TA00044325A	WIRE NETTING ASS'Y(R)	1		
13	TA00042503F	BRACKET ASSY, SUPPORT	1		
13	TA00042503B	BRACKET ASSY, SUPPORT	1		
13	TA00042503C	BRACKET ASSY, SUPPORT	1		
13	TA00042503D	BRACKET ASSY, SUPPORT	1		
13	TA00042503E	BRACKET ASSY, SUPPORT	1		
13	TA00042503F	BRACKET ASSY, SUPPORT	1		
14	TA00044134A	LAMP BRACKET A	2		
15	26367-060002	Nut, Hexa (Φ6)	21		
16	22587-480124	TAPPING SCREW	20		
17	TA00001332A	INSERT BOLT(M6)	17		
17	TA00001332B	INSERT BOLT(M6)	17		
18	TA00044136A	LAMP BRACKET B	2		
19	26106-060162	HEXFLANGE BOLT	11		
20	TA00020285A	EMBLEM	1		
21	TA00036482B	SEAL	1		

FIG

Branson 6225H(EU)
_IND_NEC(AC01649)

FUEL TANK

Year/Month

2021-01

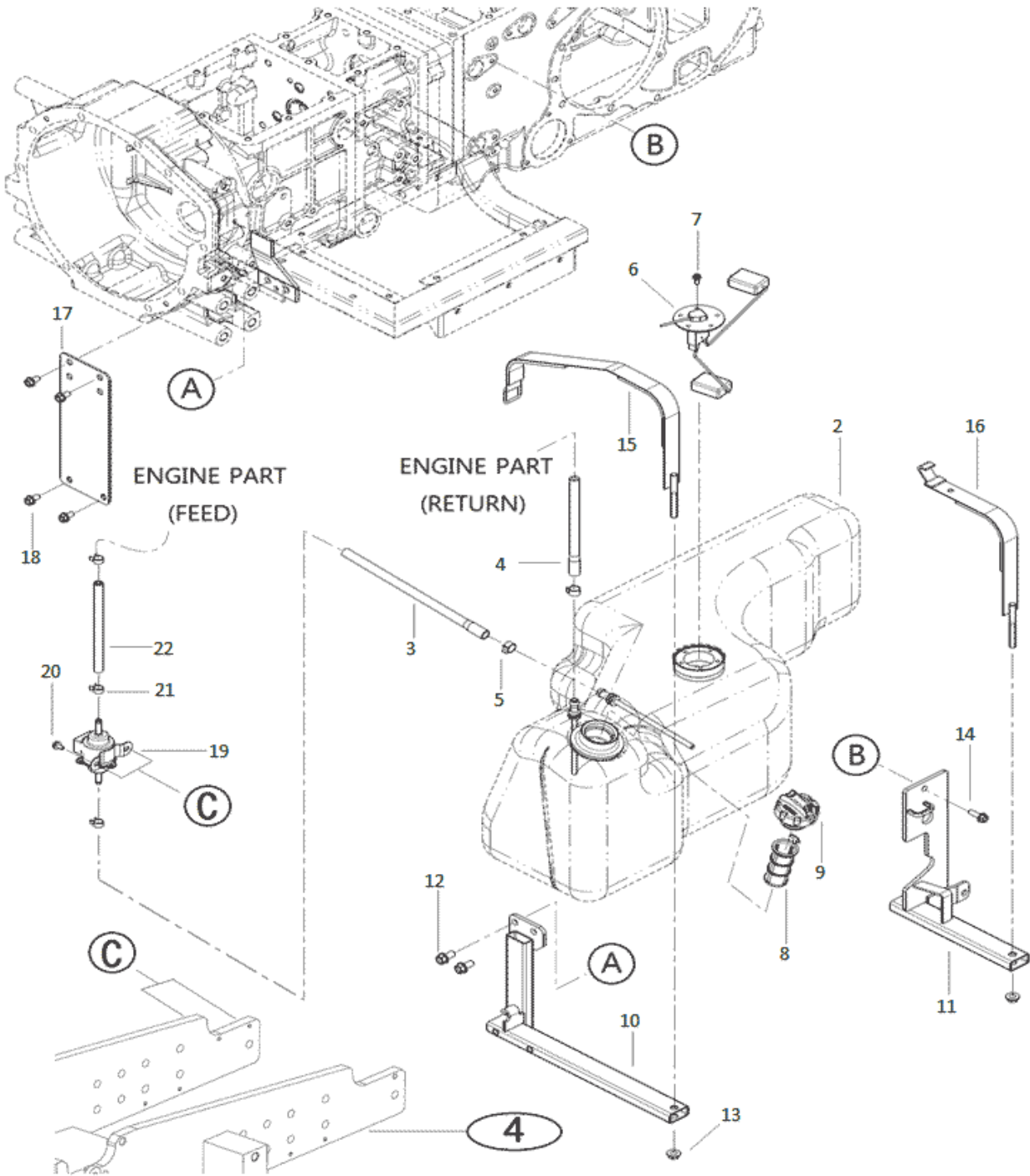


FIG		FUEL TANK			Year/Month
Branson 6225H(EU) _IND_NEC(AC01649)					2021-01
KeyNo.	Part Number	Description	Quantity	Other	
1	TA00037917B	FUEL TANK ASS'Y	1		
1	TA00037917B	FUEL TANK ASS'Y	1		
1	TA00037917C	FUEL TANK ASS'Y	1		
2	TA00035291D	FUEL TANK ASSY	1		
2	TA00035291B	FUEL TANK ASSY	1		
2	TA00035291C	FUEL TANK ASSY	1		
2	TA00035291D	FUEL TANK ASSY	1		
3	TA00036178C	FUEL LINE(1000)	1		
3	TA00036178B	FUEL LINE(1000)	1		
3	TA00036178C	FUEL LINE(1000)	1		
4	TA00036175C	FUEL LINE(1100)	1		
4	TA00036175B	FUEL LINE(1100)	1		
4	TA00036175C	FUEL LINE(1100)	1		
5	23080-015000	Clamp, Hose (Φ15)	2		
6	HA00000855A	FUEL SENSOR	1		
7	26106-050142	HEX FLANGE BOLT (5-14)	5		
8	TA00056576A	FUEL TANK STRAINER	1		
9	TA00037880A	FUEL CAP	1		
10	TA00035817E	TANK SUPPORT, FRONT	1		
10	TA00035817C	TANK SUPPORT ASSY	1		
10	TA00035817D	TANK SUPPORT ASSY	1		
10	TA00035817E	TANK SUPPORT, FRONT	1		
10	TA00035817F	FUEL TANK SUPPORT ASS'Y	1		
11	TA00035819C	FUEL TANK REAR SUPPROT	1		
11	TA00035819B	FUEL TANK REAR SUPPROT	1		
11	TA00035819C	FUEL TANK REAR SUPPROT	1		
11	TA00035819D	FUEL TANK REAR SUPPORT	1		
12	26106-100202	HEX BOLT, (10-20)	6		
13	26367-100002	NUT,HEXAGONFLANGE	2		
14	26106-080252	SCREW,HEXFLANGEHEADCAP	1		
15	TA00035957E	FRONT BAND ASSY	1		
15	TA00035957B	FRONT BAND ASSY	1		
15	TA00035957C	FRONT BAND ASSY	1		
15	TA00035957D	FRONT BAND ASSY	1		
15	TA00035957E	FRONT BAND ASSY	1		
16	TA00035974E	BAND REAR ASSY	1		
16	TA00035974B	BAND REAR ASSY	1		
16	TA00035974C	BAND REAR ASSY	1		
16	TA00035974D	FUEL TANK BAND, REAR	1		
16	TA00035974E	BAND REAR ASSY	1		
17	TA00035811C	COVER	1		
17	TA00035811B	COVER	1		
17	TA00035811C	COVER	1		
18	26106-080162	SCREW,HEXFLANGEHEADCAP	4		
19	HF20190000A2	FUEL FEED PUMP	1		

FIG

Branson 6225H(EU)
_IND_NEC(AC01649)

FUEL TANK(2019.10~)

Year/Month

2021-01

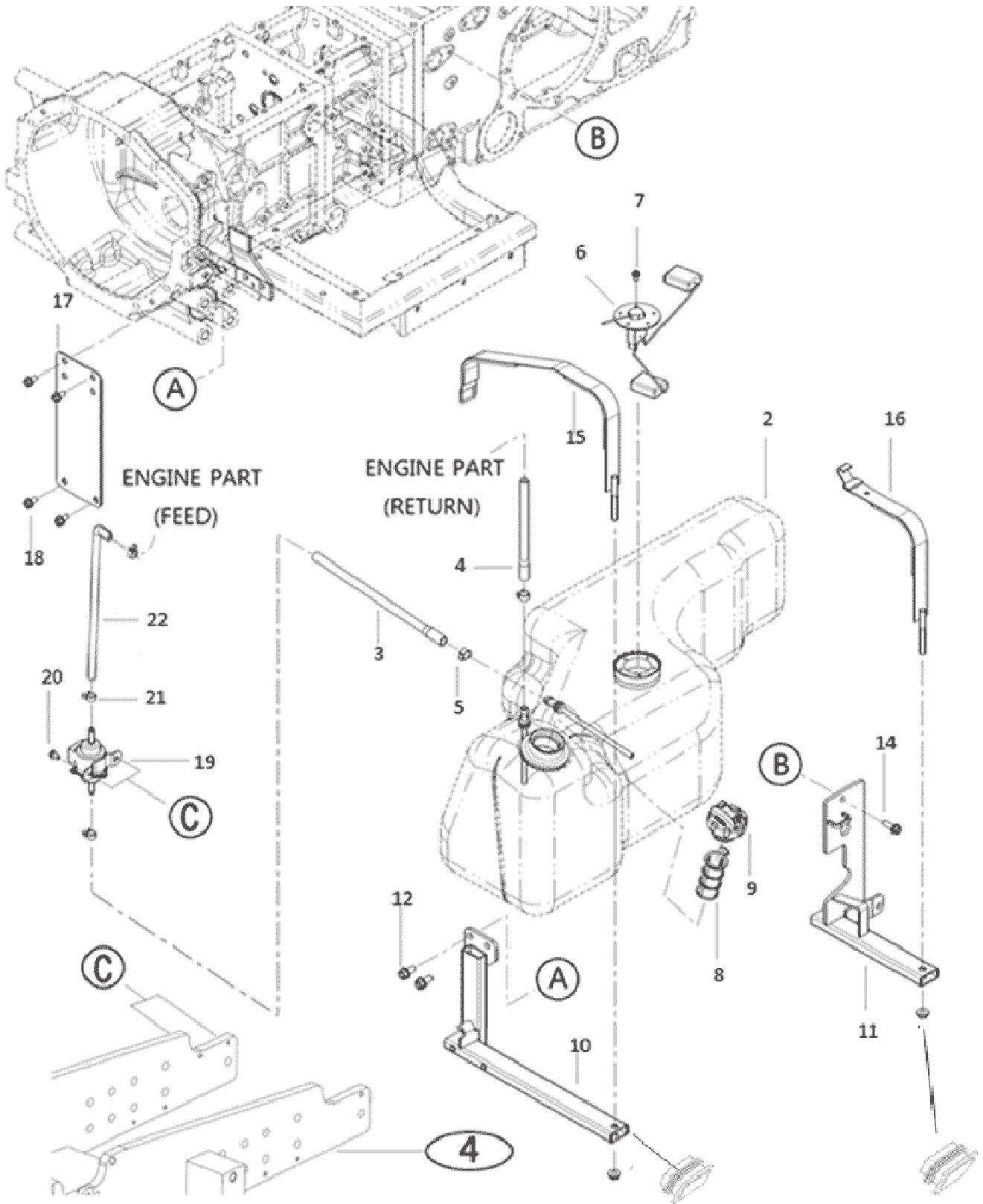


FIG		FUEL TANK(2019.10~)			Year/Month
Branson 6225H(EU) _IND_NEC(AC01649)					2021-01
KeyNo.	Part Number	Description	Quantity	Other	
1	TA00037917B	FUEL TANK ASS'Y	1		
1	TA00037917B	FUEL TANK ASS'Y	1		
1	TA00037917C	FUEL TANK ASS'Y	1		
2	TA00035291D	FUEL TANK ASSY	1		
2	TA00035291B	FUEL TANK ASSY	1		
2	TA00035291C	FUEL TANK ASSY	1		
2	TA00035291D	FUEL TANK ASSY	1		
3	TA00036178C	FUEL LINE(1000)	1		
3	TA00036178B	FUEL LINE(1000)	1		
3	TA00036178C	FUEL LINE(1000)	1		
4	TA00036175C	FUEL LINE(1100)	1		
4	TA00036175B	FUEL LINE(1100)	1		
4	TA00036175C	FUEL LINE(1100)	1		
5	23080-015000	Clamp, Hose (Φ15)	2		
6	HA00000855A	FUEL SENSOR	1		
7	26106-050142	HEX FLANGE BOLT (5-14)	5		
8	TA00056576A	FUEL TANK STRAINER	1		
9	TA00037880A	FUEL CAP	1		
10	TA00035817E	TANK SUPPORT, FRONT	1		
10	TA00035817C	TANK SUPPORT ASSY	1		
10	TA00035817D	TANK SUPPORT ASSY	1		
10	TA00035817E	TANK SUPPORT, FRONT	1		
10	TA00035817F	FUEL TANK SUPPORT ASS'Y	1		
11	TA00035819C	FUEL TANK REAR SUPPROT	1		
11	TA00035819B	FUEL TANK REAR SUPPROT	1		
11	TA00035819C	FUEL TANK REAR SUPPROT	1		
11	TA00035819D	FUEL TANK REAR SUPPORT	1		
12	26106-100202	HEX BOLT, (10-20)	6		
13	26367-100002	NUT,HEXAGONFLANGE	2		
14	26106-080252	SCREW,HEXFLANGEHEADCAP	1		
15	TA00035957E	FRONT BAND ASSY	1		
15	TA00035957B	FRONT BAND ASSY	1		
15	TA00035957C	FRONT BAND ASSY	1		
15	TA00035957D	FRONT BAND ASSY	1		
15	TA00035957E	FRONT BAND ASSY	1		
16	TA00035974E	BAND REAR ASSY	1		
16	TA00035974B	BAND REAR ASSY	1		
16	TA00035974C	BAND REAR ASSY	1		
16	TA00035974D	FUEL TANK BAND, REAR	1		
16	TA00035974E	BAND REAR ASSY	1		
17	TA00035811C	COVER	1		
17	TA00035811B	COVER	1		
17	TA00035811C	COVER	1		
18	26106-080162	SCREW,HEXFLANGEHEADCAP	4		
19	HA00001612A	FEED PUMP	1		

FIG

Branson 6225H(EU)
_IND_NEC(AC01649)

HST HOUSING

Year/Month

2021-01

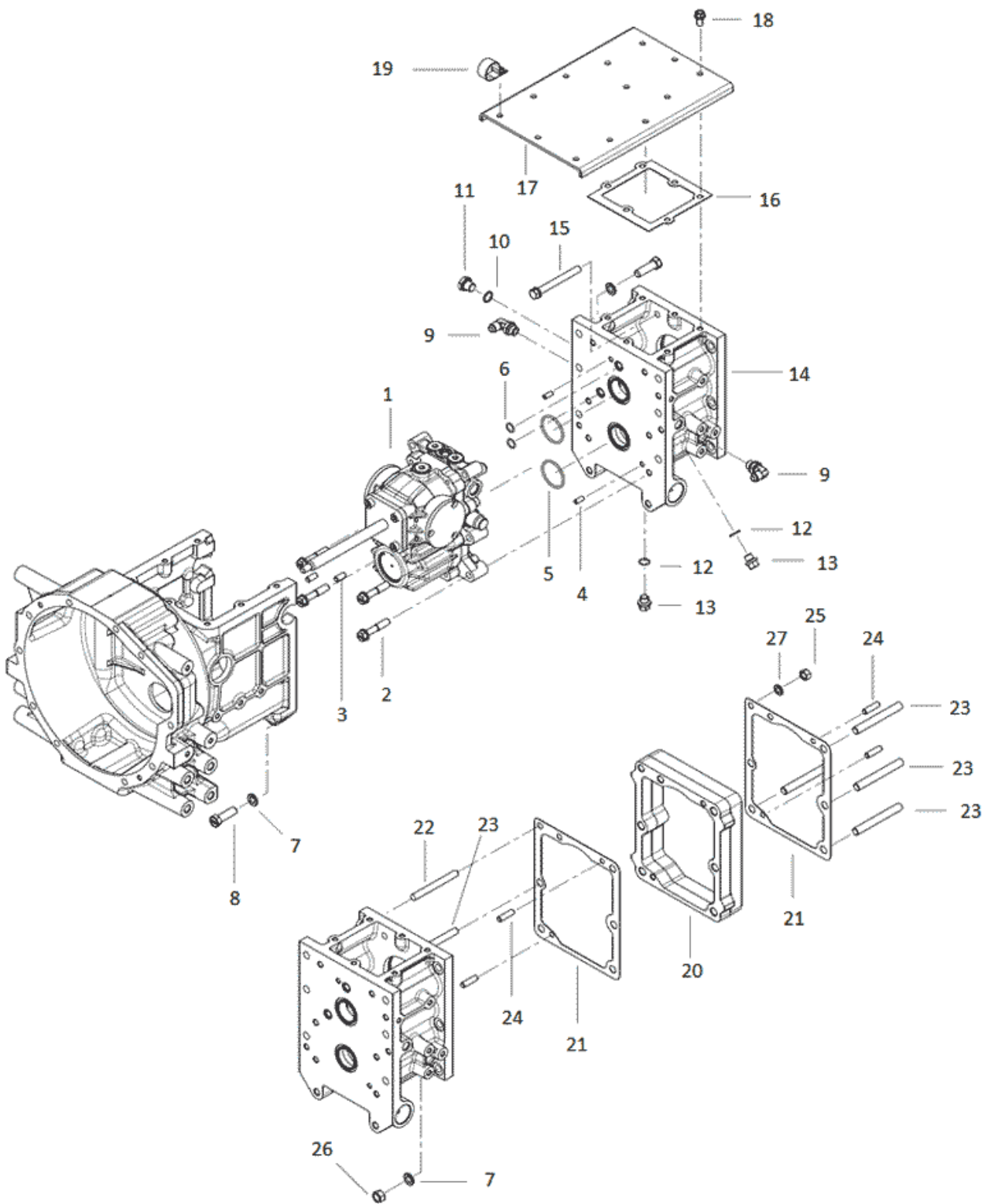


FIG		HST HOUSING			Year/Month
Branson 6225H(EU) _IND_NEC(AC01649)					2021-01
KeyNo.	Part Number	Description	Quantity	Other	
1	TA00044921B	40CC_HST	1		
1	TA00044921B	40CC_HST	1		
2	TA00000957A	HEX BOLT, W/WASHER	4		
2	TA00000957B	HEX BOLT, W/WASHER	4		
3	22312-100200	PIN, DOWEL (10-20)	2		
4	22312-080180	PIN, DOWEL (8-18)	2		
5	24311-000500	O-RING, DYNAMIC (Φ50)	2		
6	24311-000150	O-RING, DYNAMIC (Φ15)	2		
7	22217-140000	WASHER, SPRING (Φ 14)	13		
8	FT08090000A4	BOLT (M14X45)	8		
8	FT08090000B4	BOLT	8		
9	CEE4050000A4	ELBOW (3/8)	2		
9	CEE4050000B4	ELBOW(3/8)	2		
10	TTA1140000A4	PACKING	1		
11	TTA1130000A4	PLUG	1		
12	24311-000160	O-RING, DYNAMIC (Φ16)	2		
13	23491-140002	PLUG, DRAIN -> 23490-140002	2		
14	TA00000503G	HOUSING CASE	1		
14	TA00000503B	HOUSING CASE	1		
14	TA00000503C	HOUSING CASE	1		
14	TA00000503D	HOUSING CASE	1		
14	TA00000503E	HOUSING CASE	1		
14	TA00000503F	HOUSING CASE	1		
14	TA00000503G	HOUSING CASE	1		
14	TA00000503H	HOUSING CASE	1		
14	TA00000503I	HOUSING CASE	1		
15	26013-121102	BOLT12X110	1		
16	TA00001058B	PACKING	1		
16	TA00001058B	PACKING	1		
17	TA00001059A	COVER	1		
18	26106-100202	HEX BOLT, (10-20)	10		
19	TA00003081A	CLIP	1		
19	TA00003081B	CLIP	1		
20	NT36200000B3	SPACER,MISSIONCASE	1		
20	NT36200000C3	SPACER	1		
20	NT36200000D3	SPACER	1		
21	TZ41440000B4	PACKING	2		
21	TZ41440000B4	PACKING	2		
22	26216-120952	BOLT	1		
23	26216-140952	STUD BOLT	5		
24	NT41430000A4	PARALLEL PIN	4		
25	26716-120002	BOLT,CYLINDER HEAD(B)	1		
26	26716-140002	NUT	5		
27	22217-120000	WASHER, SPRING (Φ 12)	1		

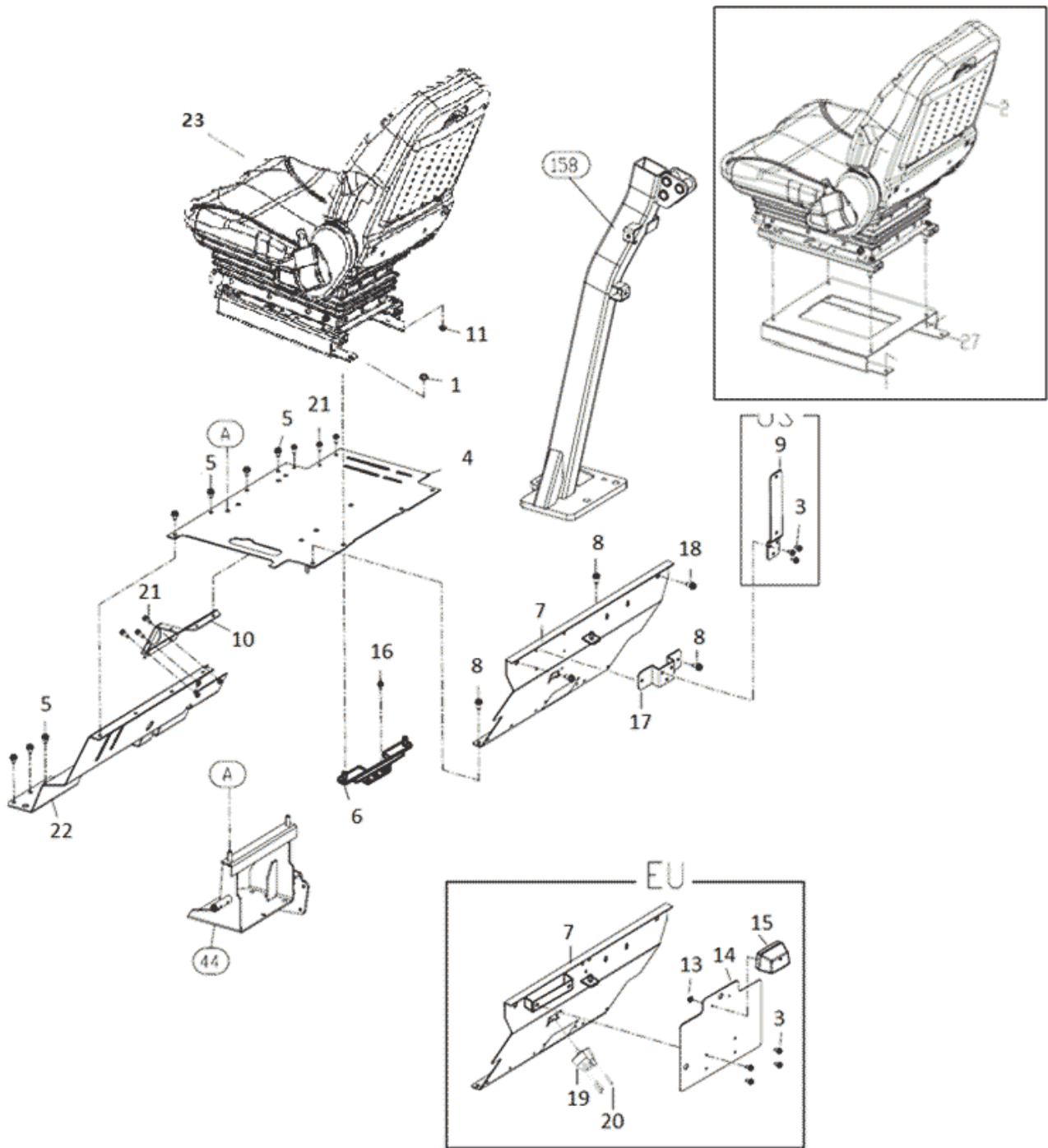
FIG

Branson 6225H(EU)
_IND_NEC(AC01649)

SEAT(2020.06~)

Year/Month

2021-01



FIG

NAME PLATE(2020.06~)

Year/Month

Branson 6225H(EU)
_IND_NEC(AC01649)

2021-01

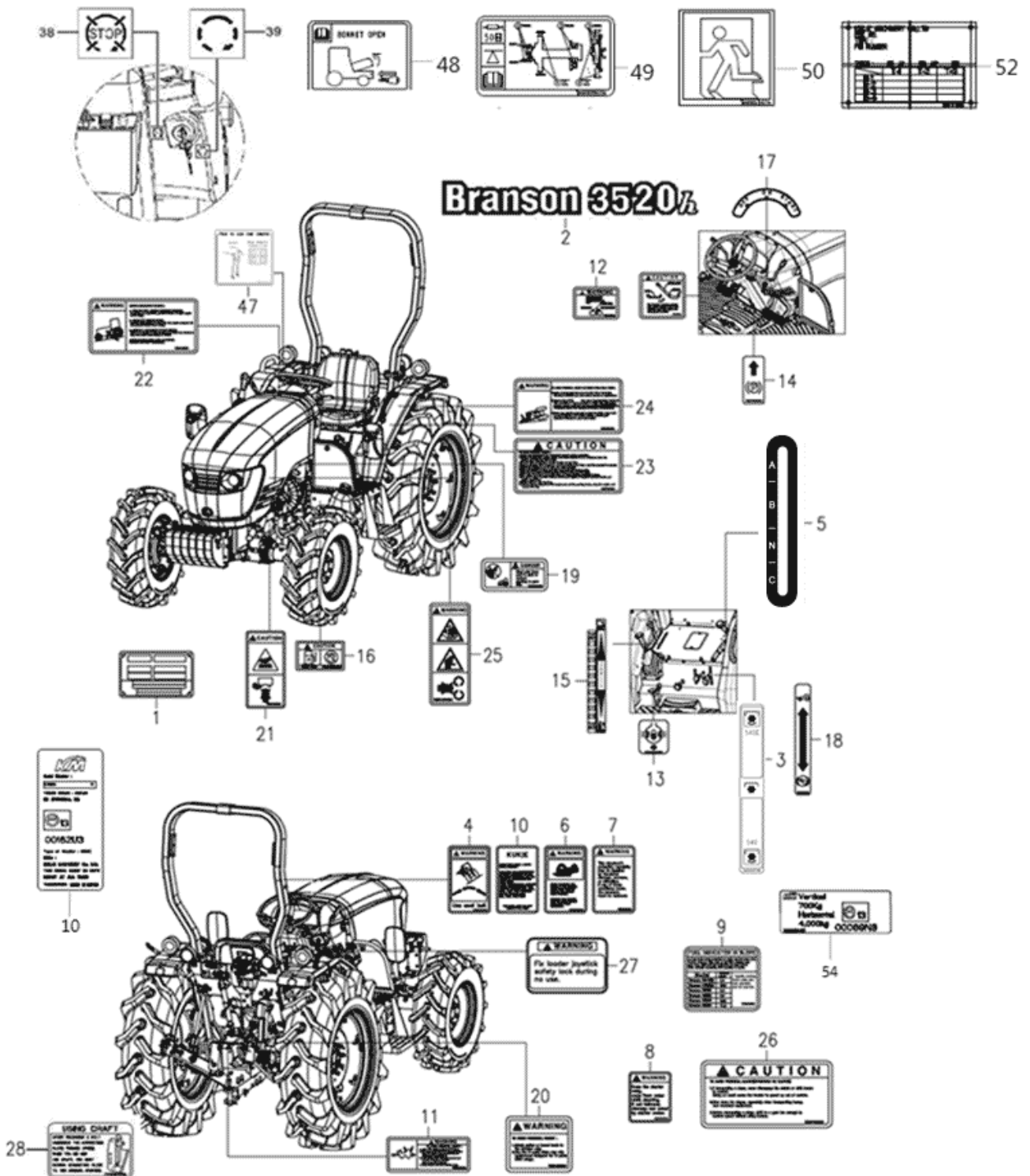


FIG		NAME PLATE(2020.06~)			Year/Month
Branson 6225H(EU) _IND_NEC(AC01649)					2021-01
KeyNo.	Part Number	Description	Quantity	Other	
2	TA00044050B	6225H BONNET NAME PLATE	1		
2	TA00044050B	6225H BONNET NAME PLATE	1		
3	TA00000276B	NAME PLATE, PTO 1-2	1		
3	TA00000276B	NAME PLATE, PTO 1-2	1		
4	NTE5150000C	NAME PLATE, SEAT	1		
5	TA00061573A	RUBBER COVER	1		
6	NTE5210000C	NAME PLATE, WARNING	1		
7	NTE5220000C	NAME PLATE, DANGER	1		
8	NTE5270000A4	NAME PLATE, WARNING(STARTER RELAY)	1		
9	TA00032309A	NAME PLATE CAUTION(FUEL)	1		
10	TA00053860B	ROPS EEC NAME PLATE	1		
10	TA00053860B	ROPS EEC NAME PLATE	1		
11	TA00015596B	PTO WARNING PLATE	1		
11	TA00015596B	PTO WARNING PLATE	1		
12	TA00015723A	LABEL, BRAKE PEDAL	1		
13	TZE4130000B	NAME PLATE,DIFFERENTIAL	1		
14	TZE4150000A4	LABEL, PAKING BRAKE	1		
15	TA00036922A	LIFT STICKER	1		
15	TA00036922B	LIFT STICKER	1		
16	TZE4190000C	NAME PLATE, REFUEL	1		
17	TZE4330000B	NAME PLATE,KEY SWITCH	1		
18	TZE5050000B	NAME PLATE, FRONT WHEEL	1		
18	TZE5050000B4	LABEL,FRONTDRIVE	1		
19	TZE5110000C	NAME PLATE,START	1		
19	TZE5110000C4	NAME PLATE, START	1		
20	TZE5120000B	NAME PLATE,CAUTION-CONNECTION	1		
21	TZE5130000C	NAME PLATE, CAUTION	1		
22	TZE5140000B	NAME PLATE,CAUTION-GETTING OFF	1		
23	TZE5160000B	NAME PLATE,CAUTION-SAFETY	1		
24	TZE5170000B	NAME PLATE,ROPS	1		
25	TZE5180000C	NAME PLATE,CAUTION-ROTATION	1		
26	TZE5770000B	NAME PLATE, CAUTION	1		
27	TA00026342B	NAMEPLATE	1		
27	TA00026342B	NAMEPLATE	1		
27	TA00026342C	NAMEPLATE	1		
28	TA00015725A	DRAFT CONTROL LABEL	1		
38	NTE501E000A4	NAME PLATE, STOP SIGN	1		
39	NTE504E000A4	NAME PLATE, STARTING	1		
46	TA00031005B	DRAWBAR NAME PLATE	1		
46	TA00031005B	DRAWBAR NAME PLATE	1		
47	TA00037417A	NAME PLATE(SCV)	1		
51	TA00053860B	ROPS EEC NAME PLATE	1	추가	
51	TA00053860B	ROPS EEC NAME PLATE	1		
54	TA00051441B	DRAW BAR PLATE	1	추가	
54	TA00051441B	DRAW BAR PLATE	1		

FIG

Branson 6225H(EU)
_IND_NEC(AC01649)

25H-NEC

Year/Month

2021-01



1 CHASSIS



ENGINE

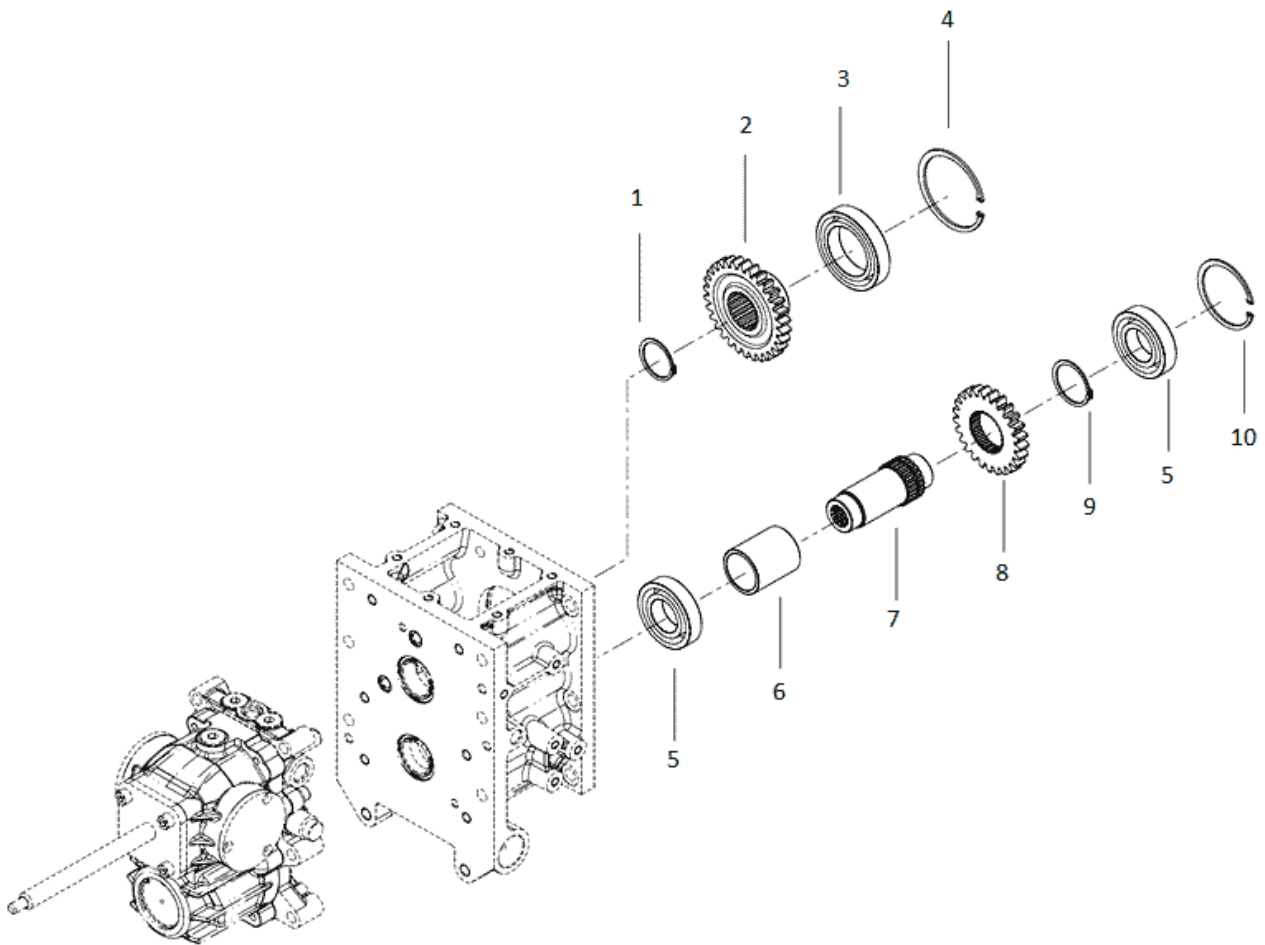
FIG

Branson 6225H(EU)
_IND_NEC(AC01649)

HST GEAR

Year/Month

2021-01



FIG

HST PEDAL

Year/Month

Branson 6225H(EU)
_IND_NEC(AC01649)

2021-01

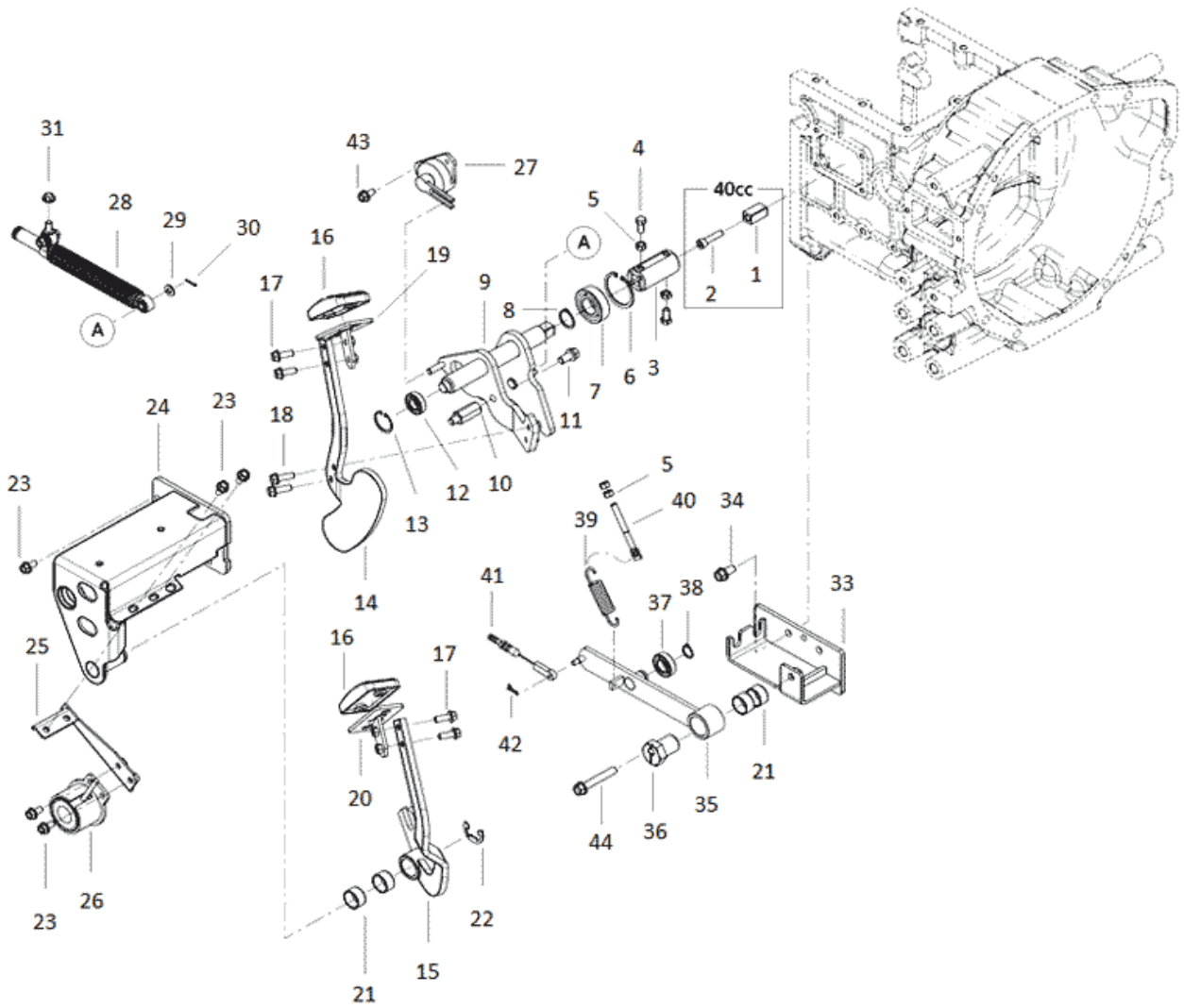


FIG		HST PEDAL			Year/Month
Branson 6225H(EU) _IND_NEC(AC01649)					2021-01
KeyNo.	Part Number	Description	Quantity	Other	
1	TA00040896B	HST SHAFT	1		
1	TA00040896B	HST SHAFT	1		
1	TA00040896C	HST SHAFT	1		
1	TA00040896D	HST SHAFT	1		
2	26453-080452	BOLT	1		
3	TA00039621A	JOINT(CABIN)	1		
3	TA00039621B	JOINT	1		
4	26116-080182	CAPSCREW(19M7139)	2		
5	26716-080002	NUT,HEX (D8)	4		
6	22252-000520	RING, CIRCLIP (Φ 52)	1		
7	24104-062054	BALL BEARING (#6205UU)	1		
9	TA00040947C	HST ARM ASSY	1		
9	TA00040947B	HST ARM ASSY	1		
9	TA00040947C	HST ARM ASSY	1		
9	TA00040947D	HST ARM ASSY	1		
10	TA00001502A	SHAFT, BLOT	1		
10	TA00001502B	SHAFT, BLOT	1		
11	26013-100222	HEXA BOLT	1		
12	24104-060024	Bearing, Ball (#6002) Dubble Cap	1		
13	22252-000320	RING, CIRCLIP (Φ 32)	1		
14	TA00041385B	HST PEDAL ARM	1		
14	TA00041385B	HST PEDAL ARM	1		
14	TA00041385C	HST PEDAL ARM	1		
15	TA00040950A	PEDAL(R) ASSY	1		
16	TA00001508A	PEDAL COVER	2		
17	26106-080222	SCREW, HEX FLANGE HEAD CAP	4		
18	26106-080252	SCREW,HEXFLANGEHEADCAP	4		
19	TA00001865C	PEDAL ASS'Y	1		
19	TA00001865B	PEDAL ASS'Y	1		
19	TA00001865C	PEDAL ASS'Y	1		
19	TA00001865D	PEDAL ASS'Y	1		
20	TA00001873C	REVERSE PEDAL ASS'Y	1		
20	TA00001873B	REVERSE PEDAL ASS'Y	1		
20	TA00001873C	REVERSE PEDAL ASS'Y	1		
20	TA00001873D	REVERSE PEDAL ASS'Y	1		
21	24550-025150	BUSH 25X15	4		
22	22272-000190	RING, CIRCLIP (Φ 19)	1		
23	26106-080162	SCREW,HEXFLANGEHEADCAP	8		
24	TA00040631C	BRACKET ASSY	1		
24	TA00040631B	BRACKET ASSY	1		
24	TA00040631C	BRACKET ASSY	1		
25	TA00001957D	MAGNET BRACKET ASS'Y	1		
25	TA00001957B	MAGNET BRACKET ASS'Y	1		
25	TA00001957C	MAGNET BRACKET ASS'Y	1		
25	TA00001957D	MAGNET BRACKET ASS'Y	1		

FIG

FRONT DRIVE & RANGE SHIFT GEAR - deleted
page

Year/Month

Branson 6225H(EU)
_IND_NEC(AC01649)

2021-01

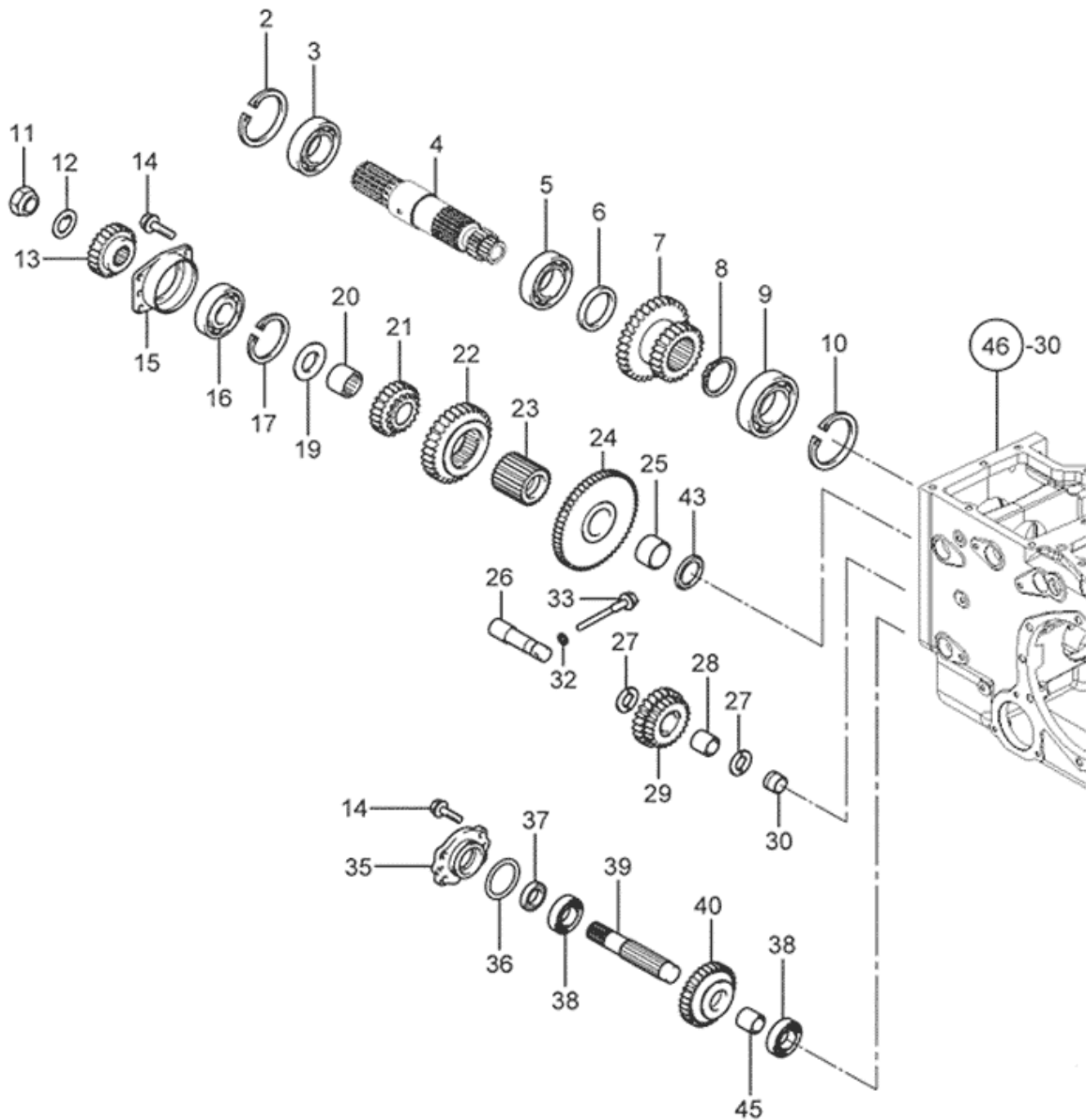


FIG		FRONT DRIVE & RANGE SHIFT GEAR - deleted page			Year/Month
Branson 6225H(EU) _IND_NEC(AC01649)					2021-01
KeyNo.	Part Number	Description	Quantity	Other	
2	22252-000850	RING, CIRCLIP (Φ 85)	1		
3	24101-062094	BALL BEARING (#6209)	1		
4	TA00015849A	SHAFT GEAR 16T(HST)	1		
5	24101-060104	Bearing, Ball (#6010)	1		
6	TN43060000A4	COLLAR	1		
7	TA00050157A	RANGE SHIFT DRIVEN GEAR 3ND	1		
8	22242-000500	SNAP RING, SHAFT (Φ50)	1		
9	24101-063074	Bearing, Ball (#6307)	1		
10	22252-000800	RING, CIRCLIP (Φ 80)	1		
11	TN43110000A4	LOCKNUT	1		
11	TN43110000B4	LOCKNUT	1		
12	TT57020000A4	WASHER	1		
13	TN43130000A3	GEAR25FRONTDRIVE	1		
14	26013-080202	Bolt, Hexa (8-20)	8		
15	TN43150000A3	CASEBEARING	1		
16	24101-063064	Bearing, Ball (#6306)	1		
17	22252-000720	RING, CIRCLIP (Φ 72)	1		
19	TN43190000A4	THRUSTWASHER	1		
20	24161-323827	Bearing, Needle (#32-38-27)	1		
21	TA00050156A	RANGE SHIFT DRIVE GEAR 3ND	1		
22	TN43220000B3	GEAR 30T,RANGE SHIFT 2ND	1		
22	TN43220000C3	2ND GEAR, RANGE SHIFT(30T)	1		
23	TN43230000B3	CALLAR	1		
23	TN43230000C3	SPLINE COLLAR	1		
23	TN43230000D3	CALLAR	1		
24	TN43240000B3	GEAR 56T,SUB SHIFT 1ST	1		
25	TT57080000B4	BUSH	1		
25	TT57080000B4	BUSH	1		
26	TN43260000A4	SHAFT, FRONT DRIVE IDLE	1		
26	TN43260000B4	SHAFTFRONTDRIVEIDLE	1		
27	TN43270000A4	THRUSTWASHER	2		
28	24161-202825	NEEDLE BEARIN (#20-28-25)	1		
29	TN43290000A3	GEARFRONTDRUVEIDLE	1		
30	TN43300000A4	COLLAR	1		
32	23414-100000	PLAIN WASHER (D10)	1		
33	TN43330000A4	BOLT	1		
33	TN43330000B4	BOLT	1		
35	TN43350000B3	CASEOILSEAL	1		
35	TN43350000B3	CASEOILSEAL	1		
36	TN43360000A4	O-RING	1		
37	24421-254008	Seal, Oil (#25-40-08)	1		
38	24101-062054	Bearing, Ball (#6205)	2		
39	TN43390000A3	SHAFTFRONTDRIVELINE	1		
40	TN43400000A3	GEARFRONTDRIVE	1		
43	TT57100000B4	WASHER,THRUST	1		

FIG

Branson 6225H(EU)
_IND_NEC(AC01649)

FRONT DRIVE & RANGE SHIFT LEVER

Year/Month

2021-01

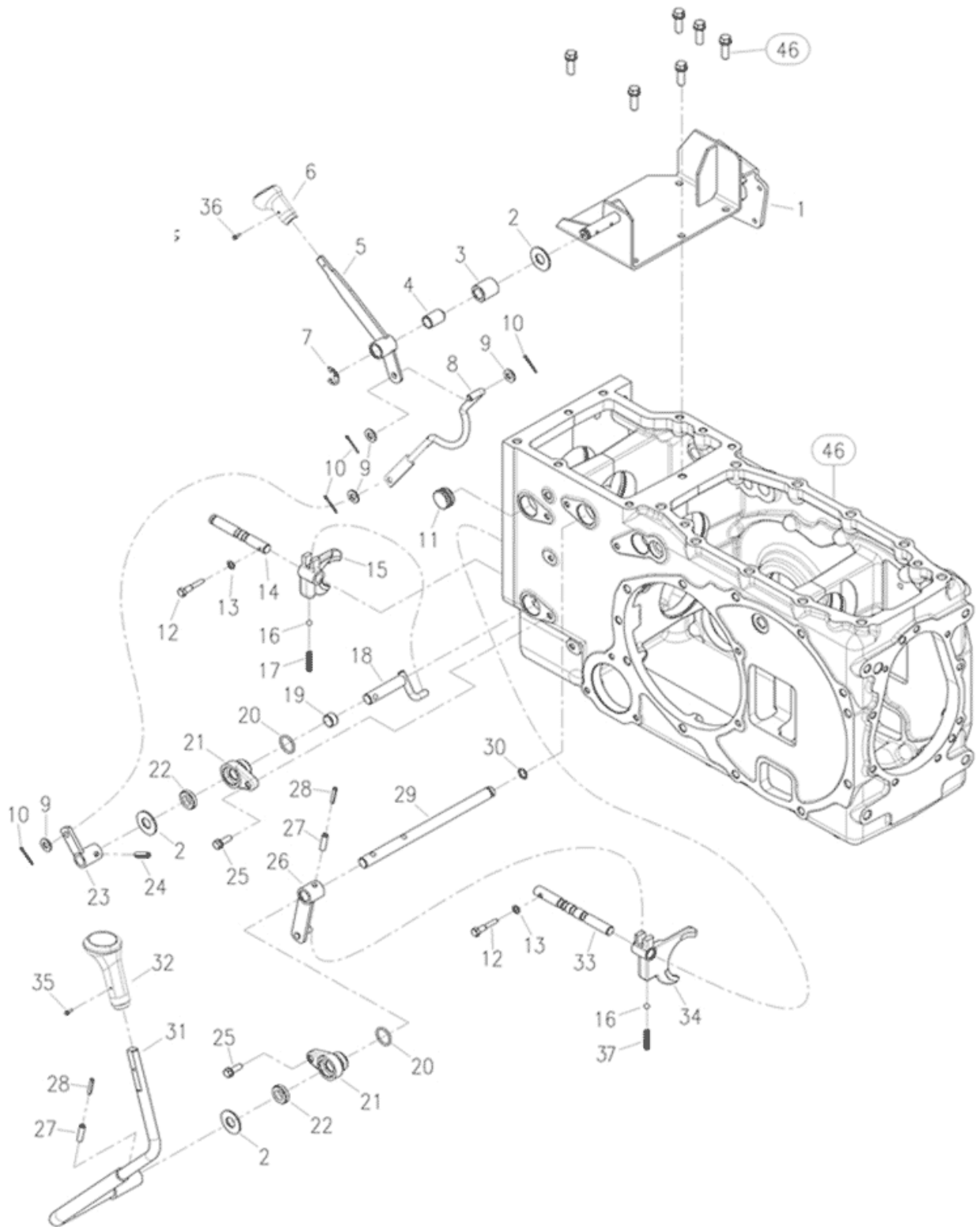


FIG		FRONT DRIVE & RANGE SHIFT LEVER		Year/Month
Branson 6225H(EU) _IND_NEC(AC01649)				2021-01
KeyNo.	Part Number	Description	Quantity	Other
1	TA00000777C	STAY ASS'Y, SEAT RAIL	1	
1	TA00000777B	STAY ASS'Y, SEAT RAIL	1	
1	TA00000777C	STAY ASS'Y, SEAT RAIL	1	
1	TA00000777D	STAY ASS'Y, SEAT RAIL	1	
2	TT65120000A4	COLLAR B	3	
3	TZ44080000A4	BOSS CREEPER	1	
4	TT70080000A4	BUSH	1	
5	NT44100000B3	Lever, Front Drive	1	
5	NT44100000B3	Lever, Front Drive	1	
6	TA00062657A	LEVER, FRONT DRIVE KNOB	1	202009~
6.10	TA00015827A	KNOB, FRONT DRIVE LEVER	1	deleted/삭제
6.20	TA00056015A	LEVER, FRONT DRIVE	1	201904~
7	22272-000150	RING, CIRCLIP (Φ 15)	1	
8	TA00036164A	LEVER ASSY	1	
8	TA00036164B	LEVER ASSY	1	
9	22137-100000	WASHER, PLAIN (Φ 10)	4	
10	22417-250250	PIN, COTTER (2-25)	4	
11	TZ44610000A4	PLUG	1	
12	TN44400000A4	BOLT	2	
12	TN44400000B4	BOLT	2	
13	23414-080000	WASHER, PLAIN (Φ8)	2	
14	TN44230000A3	SHAFTFRONTDRIVEFORK	1	
15	TN44220000B3	FORKFRONTDRIVE	1	
15	TN44220000B3	FORKFRONTDRIVE	1	
16	24190-100001	Ball, Steel (5/16)	2	
17	TT42020000A4	SPRING	1	
18	TN44380000A4	LEVERASS'YF.DRIVE	1	
19	TT70090000A4	BUSH	1	
20	24321-000250	O-RING	3	
21	TN44300000A4	Holder, Shift Arm	2	
22	24421-173007	Seal, Oil (#17-30-07)	2	
23	TA00036167A	LEVER ASSY	1	
24	22351-080030	PIN, SPRING (8-30)	1	
25	26013-080252	Bolt, Hexa (8-25)	2	
26	TN44440000D4	LEVERASS'Y(B),RANGESHAFT	1	
27	22351-080030	PIN, SPRING (8-30)	2	
28	22351-050030	PIN, SPRING (5-03)	2	
29	TN44520000B3	SHAFT,RANGESHIFTLEVER	1	
30	TN46180000A4	O-RING	1	
31	TA00001060C	LEVER, SUB SHIFT	1	
31	TA00001060C	LEVER, SUB SHIFT	1	
32	TA00062665A	KNOB	1	202009~
32.10	TA00016324B	KNOB, RANGE SHIFT	1	deleted/삭제
32.10	TA00016324B	KNOB, RANGE SHIFT	1	
32.20	TA00058723A	KNOB	1	201904~

FIG

Branson 6225H(EU)
_IND_NEC(AC01649)

GEAR,IND PTO SPEED CHANGE

Year/Month

2021-01

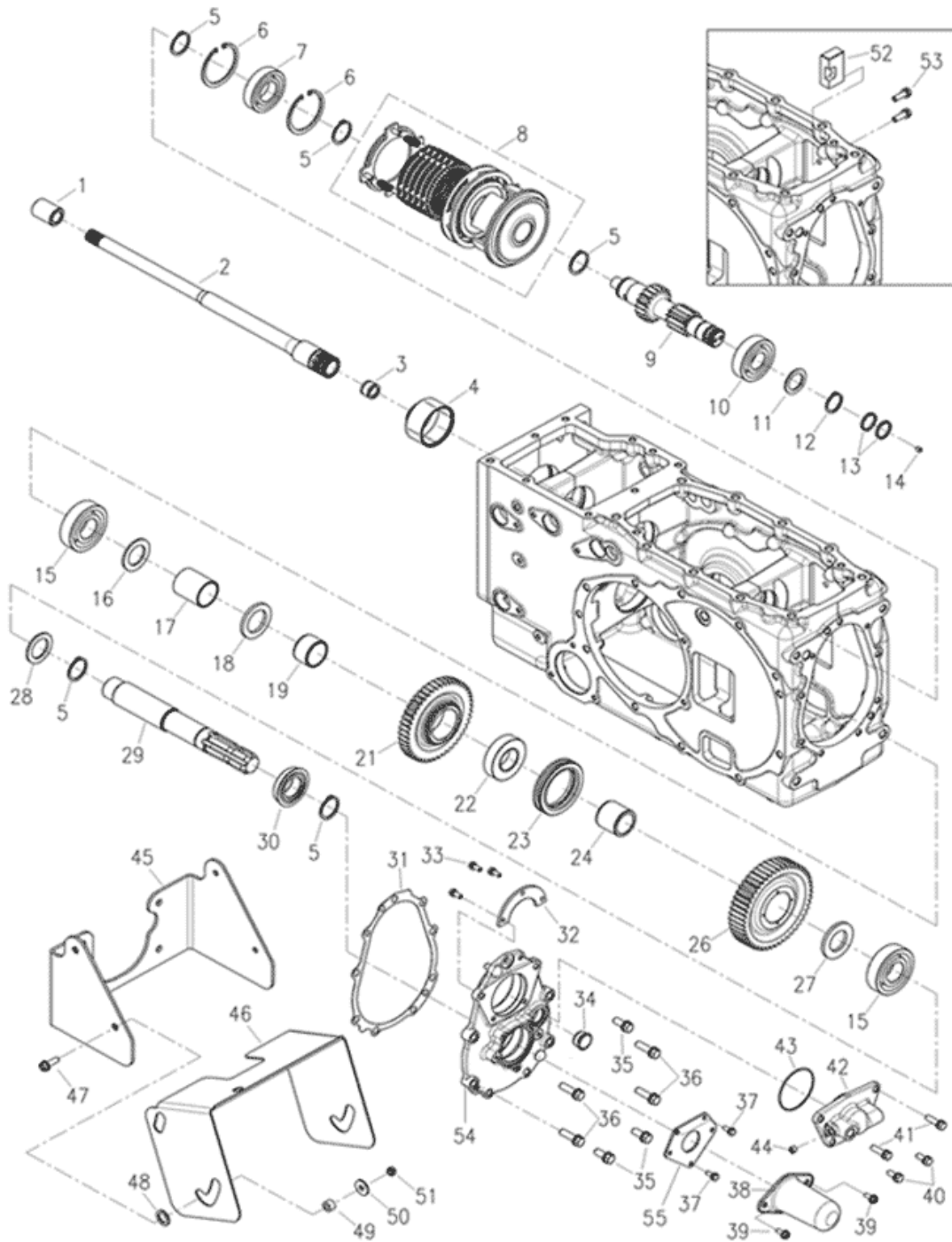


FIG		GEAR,IND PTO SPEED CHANGE			Year/Month
Branson 6225H(EU) _IND_NEC(AC01649)					2021-01
KeyNo.	Part Number	Description	Quantity	Other	
1	TN4520000A4	JOINT	1		
2	TA00015848A	PTO SHAFT(HST)	1		
3	24161-182417	Bearing, Needle (#18-24-17)	1		
4	NT45480000A3	PTO COUPLING	1		
5	22242-000350	SNAP RING, SHAFT (Φ 35)	5		
6	22252-000720	RING, CIRCLIP (Φ 72)	2		
7	24101-062074	BALL BEARING (#6207)	1		
8	TA00026514D	PTO CLUTCH PACK	1		
8	TA00026514B	PTO CLUTCH PACK	1		
8	TA00026514C	PTO CLUTCH PACK	1		
8	TA00026514D	PTO CLUTCH PACK	1		
9	NT45920000A2	SHAFT, PTO SHIFT	1		
10	24101-063064	Bearing, Ball (#6306)	1		
11	TN45520000A4	COLLAR	1		
12	22242-000300	SNAP RING, SHAFT (Φ 30)	1		
13	TT64070000B	SEALING	2		
13	TT64070000B4	SEAL RING	2		
14	TT64080000A4	RETAININGSCREWM7X1	1		
15	24101-063074	Bearing, Ball (#6307)	2		
16	NT45670000B	THRUST WASHER	1		
16	NT45670000B4	THRUST WASHER	1		
17	NT45680000B	SPACER	1		
17	NT45680000B4	SPACER	1		
18	NT45440000B	COLLAR	1		
18	NT45440000B4	COLLAR	1		
18	NT45440000C4	COLLAR	1		
19	TA00033210A	NEEDLE BUSH D	2		
21	TA00033211B	GEAR 46T, PTO	1		
21	TA00033211B	GEAR 46T, PTO	1		
21	TA00033211C	GEAR 46T, PTO	1		
22	TZ45100000A3	HUB,P.T.O	2		
22	TZ45100000B3	HUB,P.T.O	2		
23	TZ45110000C4	SLEEVE,P.T.O	2		
23	TZ45110000C4	SLEEVE,P.T.O	2		
24	TA00033209A	NEEDLE BUSH B	1		
26	TA00033212B	GEAR 49T, PTO	1		
26	TA00033212B	GEAR 49T, PTO	1		
26	TA00033212C	GEAR 49T, PTO	1		
27	TZ45140000A4	COLLAR	1		
27	TZ45140000B4	COLLAR	1		
28	TN45120000A4	WASHER	1		
29	NT45130000B	SHAFT,P.T.O	1		
30	TT62040000A3	PTO OIL SEAL QLF35X60X19	1		
31	NT45740000A3	PACKING, PTO SHAFT HOUSING	1		
32	NT45640000A4	Bearing Cover	1		

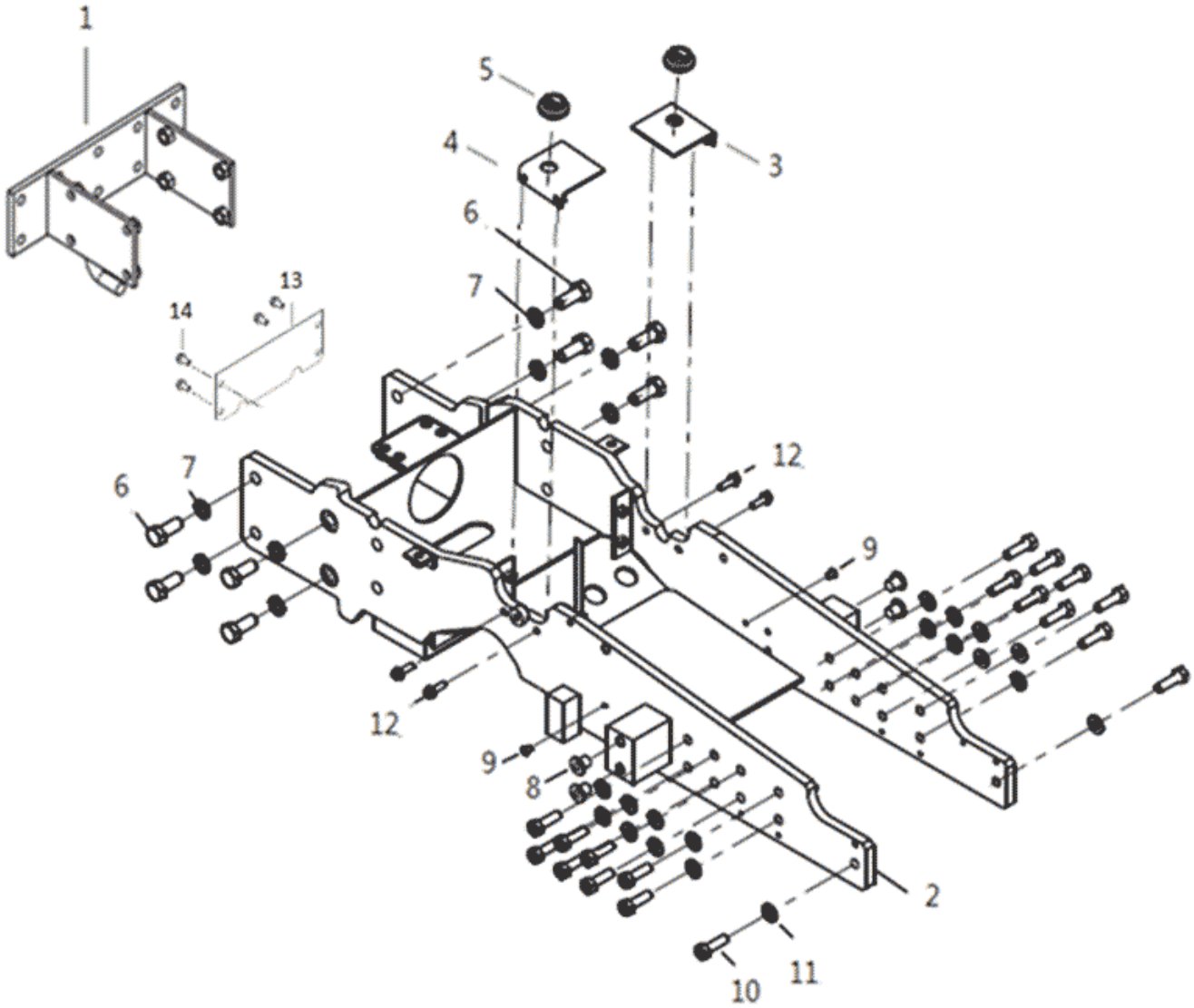
FIG

Branson 6225H(EU)
_IND_NEC(AC01649)

FRONT AXLE BRACKET

Year/Month

2021-01



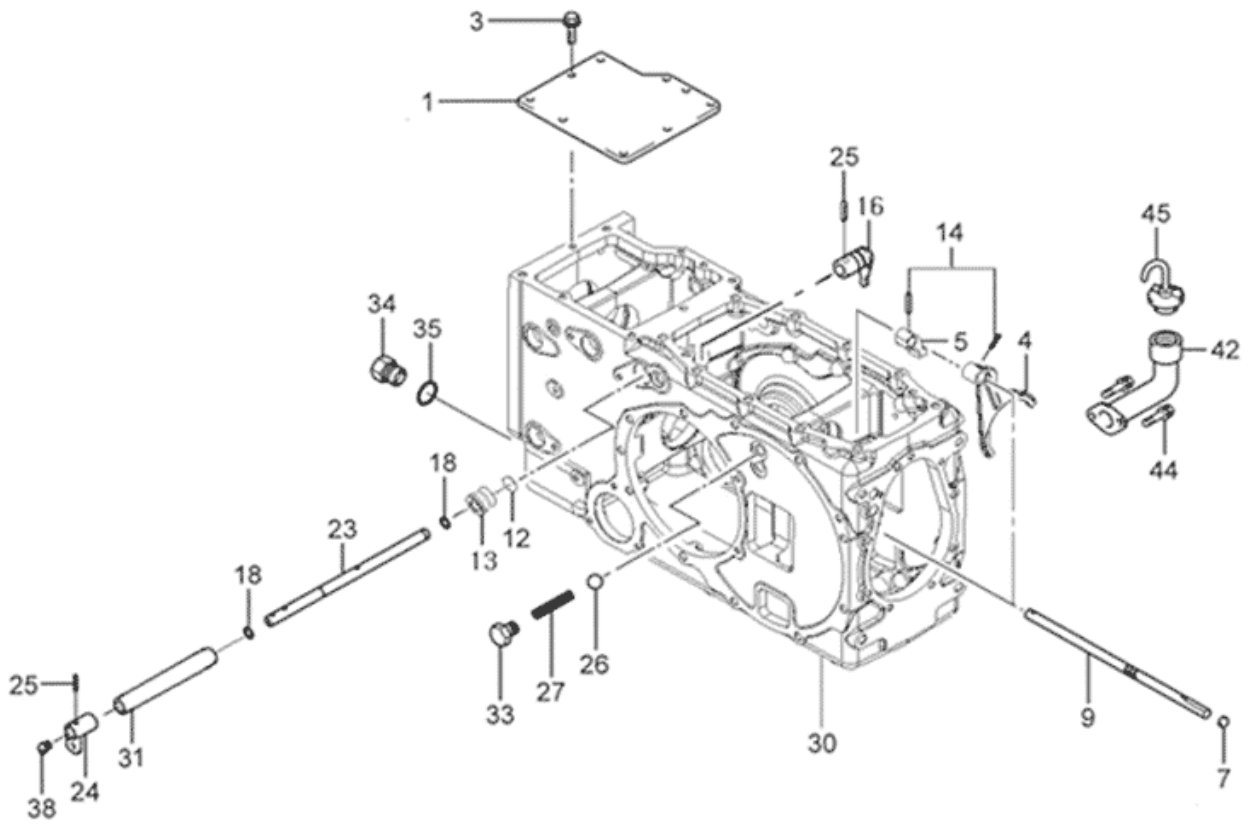
FIG

Branson 6225H(EU)
_IND_NEC(AC01649)

REAR AXLE CASE, PTO SHIFT

Year/Month

2021-01



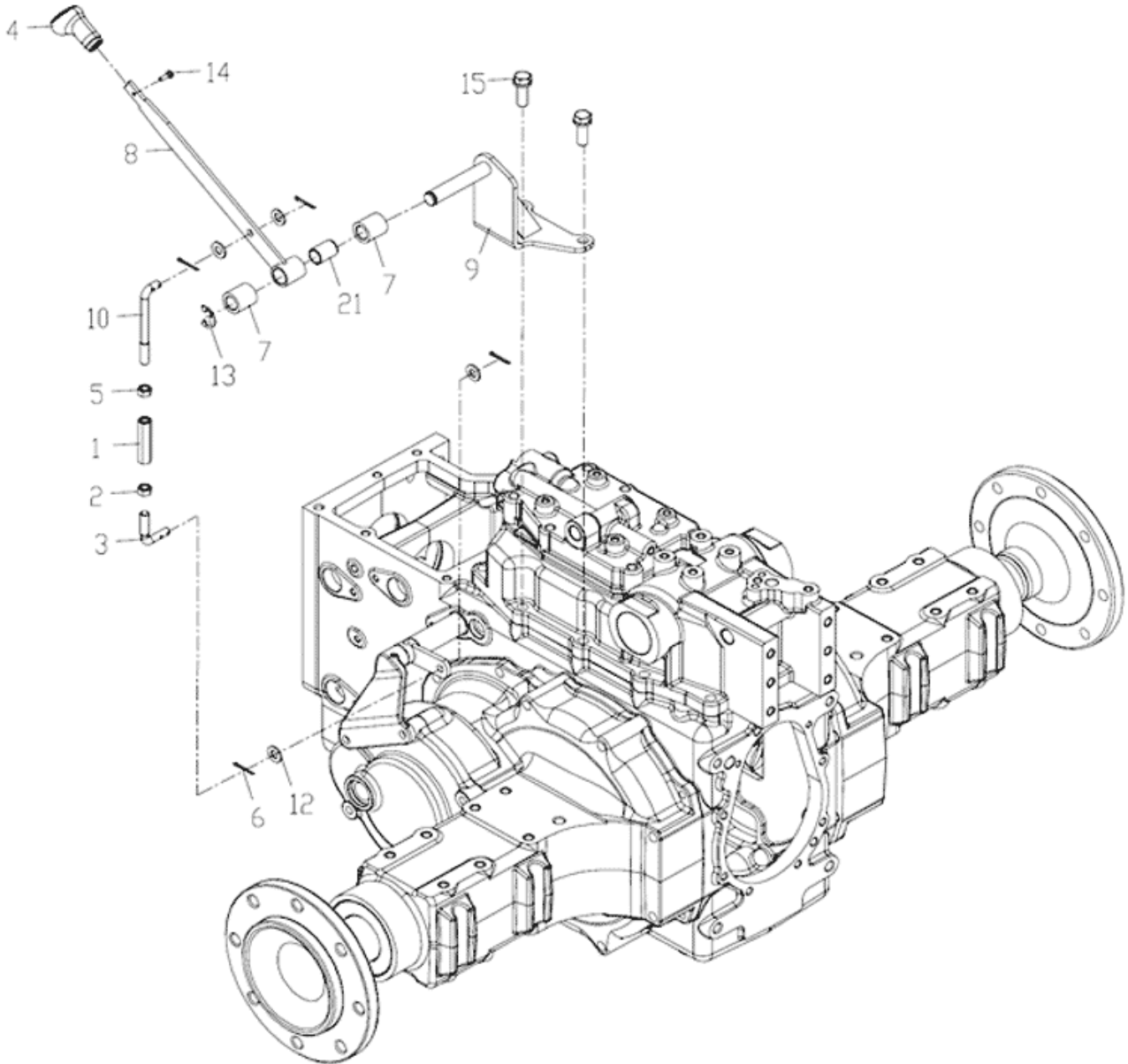
FIG

Branson 6225H(EU)
_IND_NEC(AC01649)

LEVER ASS'Y, PTO SPEED CHANGE

Year/Month

2021-01



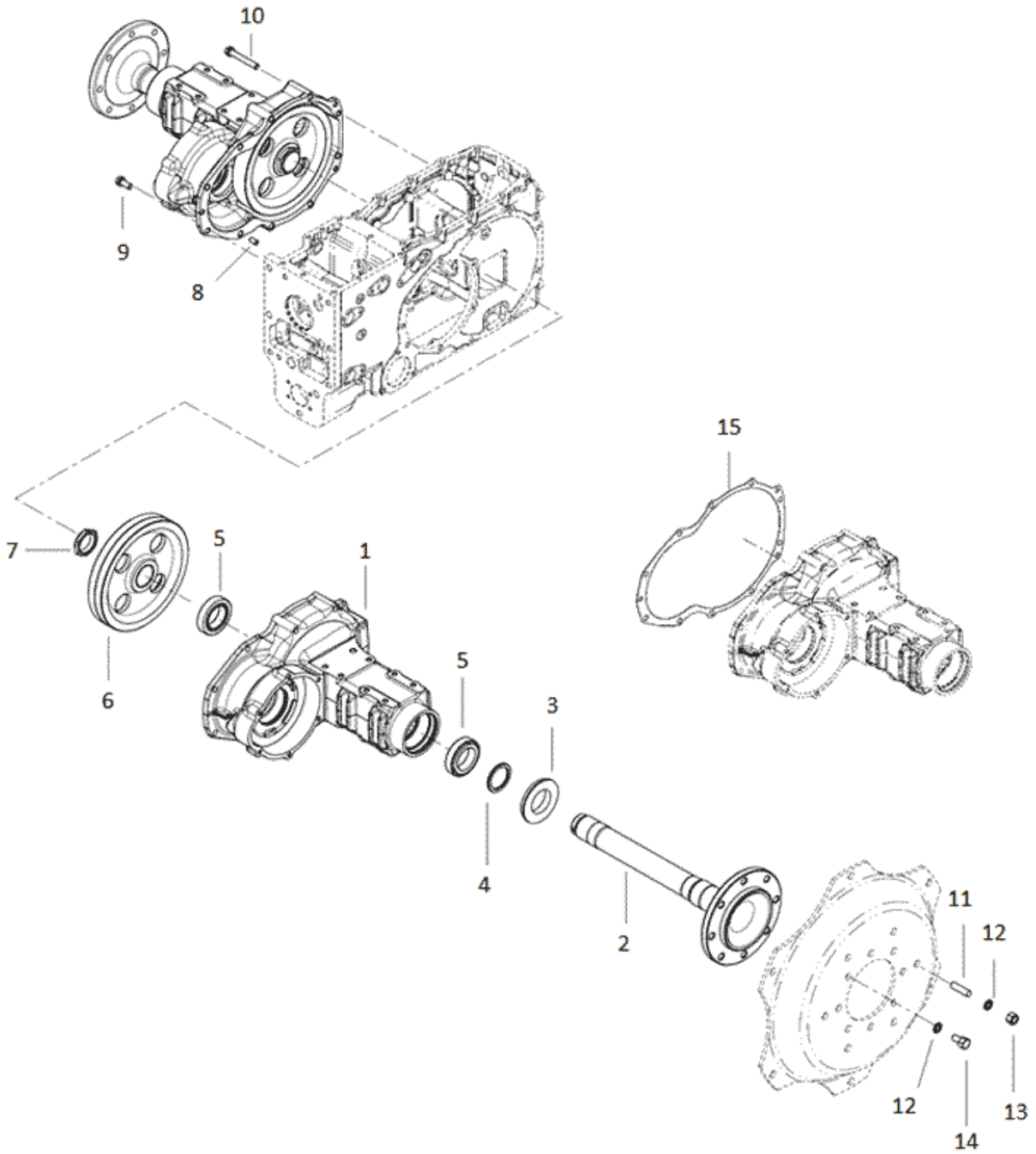
FIG

Branson 6225H(EU)
_IND_NEC(AC01649)

HOUSING, REAR AXLE

Year/Month

2021-01



FIG

DRIVING PART, REAR AXLE

Year/Month

Branson 6225H(EU)
_IND_NEC(AC01649)

2021-01

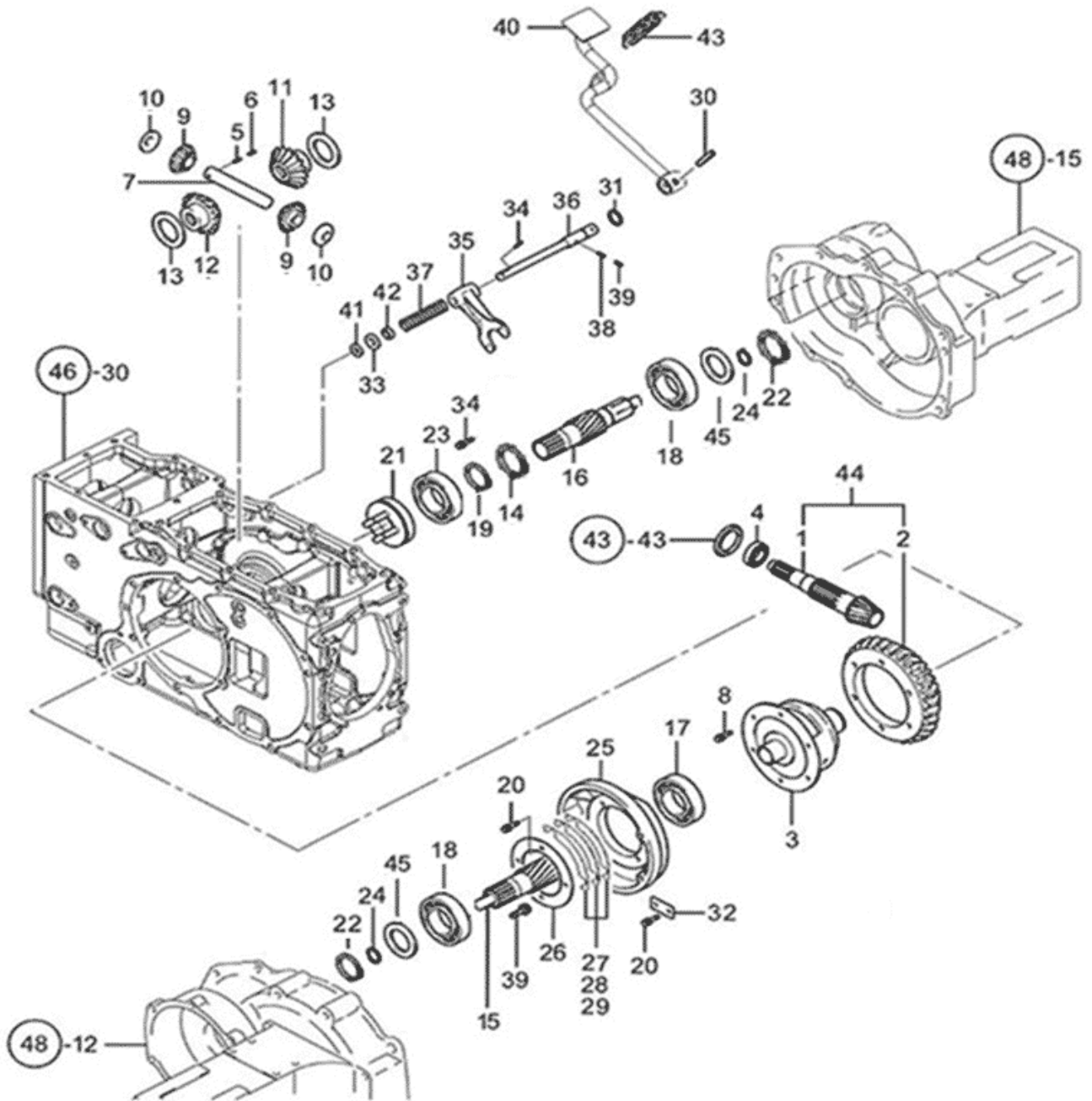


FIG		DRIVING PART, REAR AXLE			Year/Month
Branson 6225H(EU) _IND_NEC(AC01649)					2021-01
KeyNo.	Part Number	Description	Quantity	Other	
1	TN49510000B2	COUNTERSAHFT	1		
1	TN49510000B2	COUNTERSAHFT	1		
2	TN49520000D2	RINGGEAR	1		
2	TN49520000D2	RINGGEAR	1		
3	TN49030000E2	CASE,DIFFERENTIAL	1		
3	TN49030000E2	CASE,DIFFERENTIAL	1		
4	TT78020000A3	BEARINGNJ307R	1		
5	22312-060360	PIN, DOWEL (6-36)	1		
6	22351-060032	PIN, SPRING (6-32)	1		
7	TF64080000A4	PINIONSHAFT	1		
8	TF64090000A4	BOLT	6		
8	TF64090000B4	BOLT	6		
9	TF64100000B3	PINION	2		
9	TF64100000B3	PINION	2		
10	TF64110000A4	PINIONLINER	2		
11	TF64120000C3	차동 사이드기어(A)	1		
12	TF64130000A3	DIFF.SIDEGEAR(B)	1		
13	TF64140000B4	SIDEGEARLINER	2		
14	22252-000800	RING, CIRCLIP (Φ 80)	1		
15	TA00032603E	FINAL PINION(L)	1		
15	TA00032603B	FINAL PINION(L)	1		
15	TA00032603C	FINAL PINION(L)	1		
15	TA00032603D	FINAL PINION(L)	1		
15	TA00032603E	FINAL PINION(L)	1		
16	TA00032596E	FINAL PINION(R)	1		
16	TA00032596B	FINAL PINION(R)	1		
16	TA00032596C	FINAL PINION(R)	1		
16	TA00032596D	FINAL PINION(R)	1		
16	TA00032596E	FINAL PINION(R)	1		
17	24101-062114	Bearing, Ball (#6211)	1		
18	TF64190000A4	BALL BEARING (#6308HL1) -> TF64190000A3	2		
19	22242-000500	SNAP RING, SHAFT (Φ50)	1		
20	26013-080202	Bolt, Hexa (8-20)	4		
21	TF64250000B3	THRUST, DIFF-LOCK ASSY	1		
22	22252-000900	RING, CIRCLIP (Φ 90)	2		
23	24101-060104	Bearing, Ball (#6010)	1		
24	22242-000400	SNAP RING, SHAFT (Φ 40)	2		
25	TN49550000B2	CARRIOR	1		
26	TN49590000A4	RETAINER	1		
27	TZ49560000A4	SHIMA	3		
28	TZ49570000A4	SHIMB	3		
29	TZ49580000A4	SHIMC	2		
30	22351-080032	PIN, SPRING (8-32)	2		
31	24311-000160	O-RING, DYNAMIC (Φ16)	1		
32	TB32360000A4	RETAINER	2		

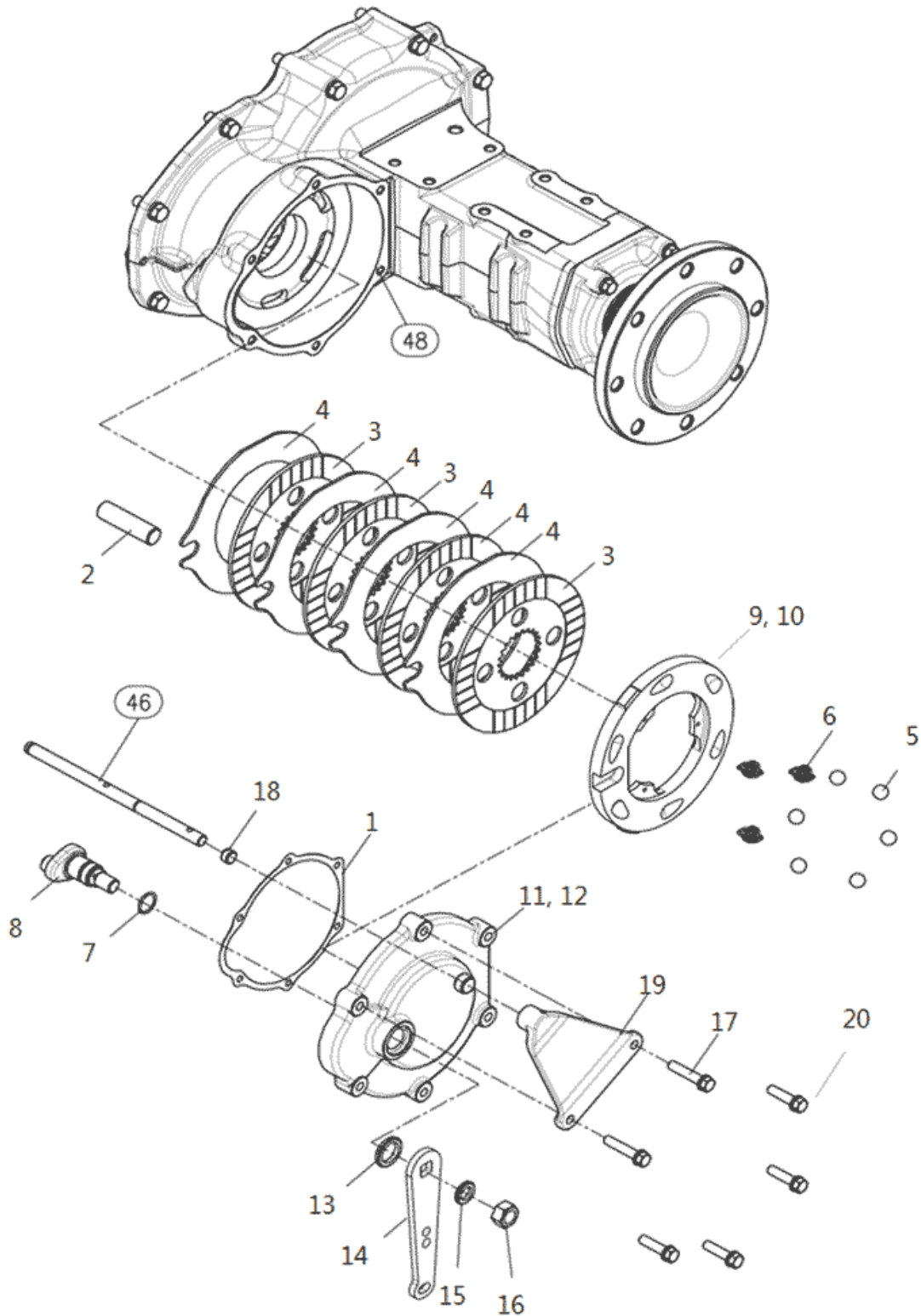
FIG

BRAKE

Year/Month

Branson 6225H(EU)
_IND_NEC(AC01649)

2021-01



FIG

Branson 6225H(EU)
_IND_NEC(AC01649)

BRAKE, CLUTCH PEDAL

Year/Month

2021-01

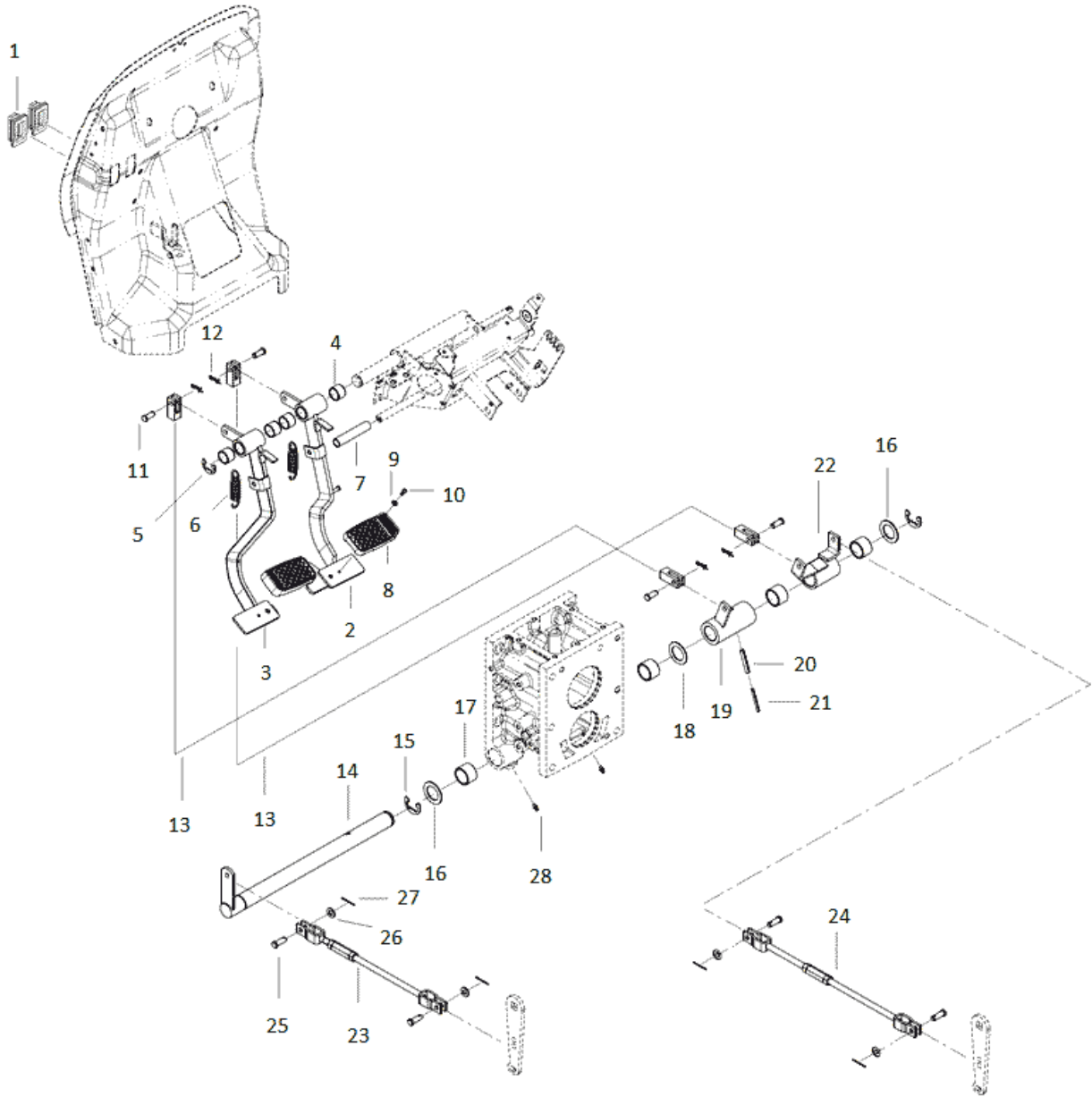


FIG		BRAKE, CLUTCH PEDAL			Year/Month
Branson 6225H(EU) _IND_NEC(AC01649)					2021-01
KeyNo.	Part Number	Description	Quantity	Other	
1	TA00047203A	BRACKET B, WIRE	2		
2	TA00001268A	PEDAL ASS'Y(R), BRAKE	1		
3	TA00001270B	PEDAL ASS'Y(L), BRAKE	1		
3	TA00001270B	PEDAL ASS'Y(L), BRAKE	1		
4	TC73010200A4	BUSH25*28*20	4		
5	22272-000190	RING, CIRCLIP (Φ 19)	1		
6	TC73090000A4	RETURN SPRING	2		
6	TC73090000B4	RETURNSPRING	2		
7	TCB6300000A3	PIPE	1		
8	TC73050000A3	PEDALHEADCOVER	2		
9	TC73040000A4	WASHER(REVET)	2		
9	TC73040000B4	WASHER(REVET)	2		
10	TC73030000A4	RIVET(PEDALHEAD)	2		
11	22487-100200	PIN, HEAD (10-20)	4		
12	RR51230000C4	PIN 10, COME-OFF SNAP	4		
12	RR51230000B4	SNAP PIN	4		
12	RR51230000C4	PIN 10, COME-OFF SNAP	4		
12	RR51230000D4	PIN 10, COME-OFF SNAP	4		
13	TA00044090A	CABLE, BRAKE	2		
14	TA00044825A	SAHFT, BRAKE	1		
15	22272-000240	RING, CIRCLIP (Φ 24)	2		
16	TB35120000B4	WASHER B	2		
16	TB35120000C4	WASHER-B	2		
17	TB26240000A4	BUSH	4		
18	TB35110000B4	WASHER A	1		
18	TB35110000B4	WASHER A	1		
19	TA00044091A	LINK ASSY, BRAKE	1		
20	22351-080050	PIN, SPRING (8-50)	1		
21	22351-050050	PIN, SPRING (5-05)	1		
22	TA00044092A	LINK ASSY, BRAKE	1		
22	TA00044092B	LINK ASSY, BRAKE	1		
23	TA00036185A	ROD ASSY L	1		
23	TA00036185B	ROD ASSY L	1		
23	TA00036185C	ROD ASSY L	1		
24	TA00015871A	ROD ASS'Y	1		
24	TA00015871B	ROD ASS'Y	1		
24	TA00015871C	ROD ASS'Y	1		
25	TT41090000A4	PIN10X23	4		
25	TT41090000B4	PIN10X23	4		
26	22137-100000	WASHER, PLAIN (Φ 10)	4		
27	22417-200300	PIN , COTTER (2-30)	4		
28	24764-060000	GREASE NIPPLE	3		

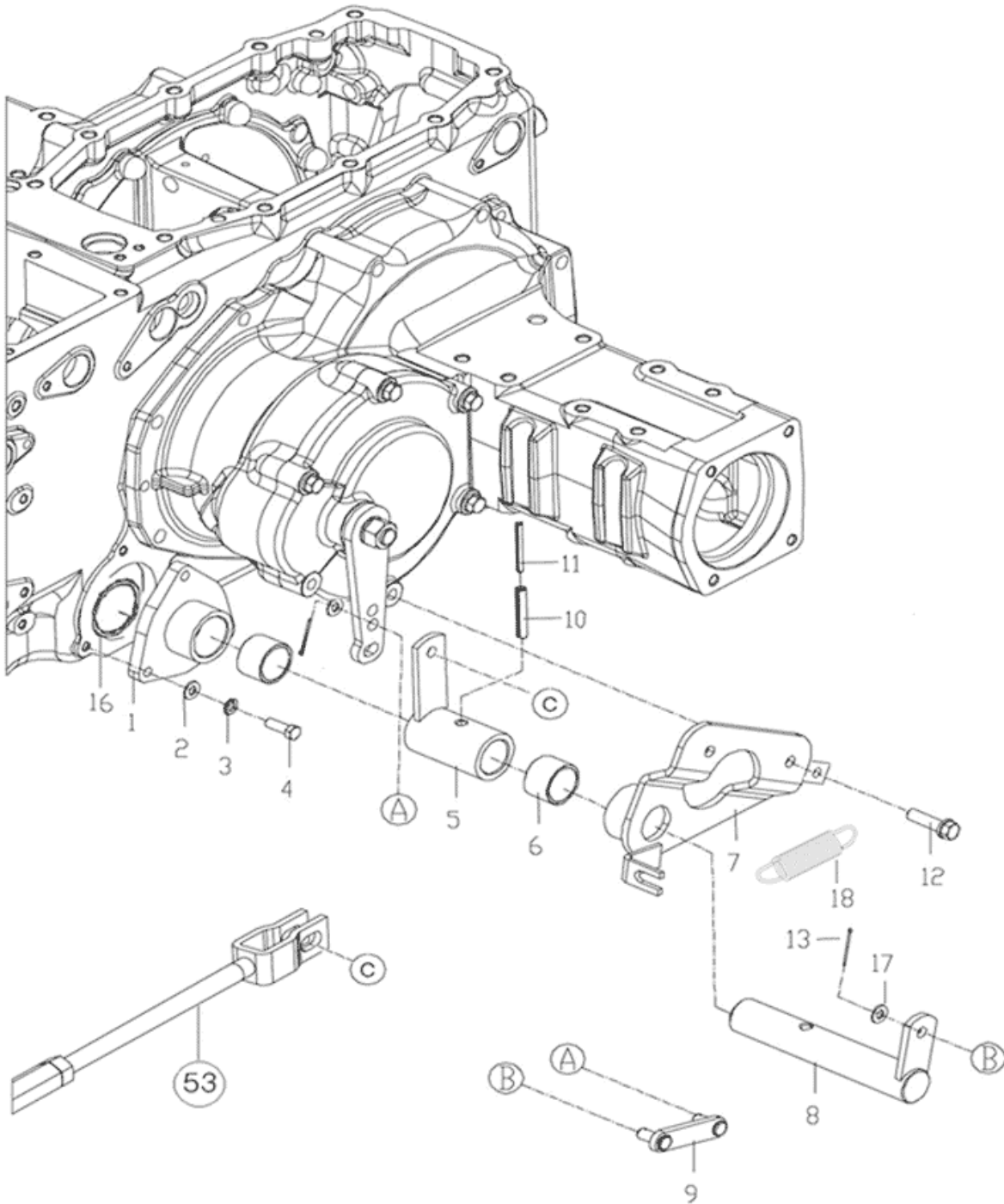
FIG

Branson 6225H(EU)
_IND_NEC(AC01649)

SUPPORT, BRAKE

Year/Month

2021-01



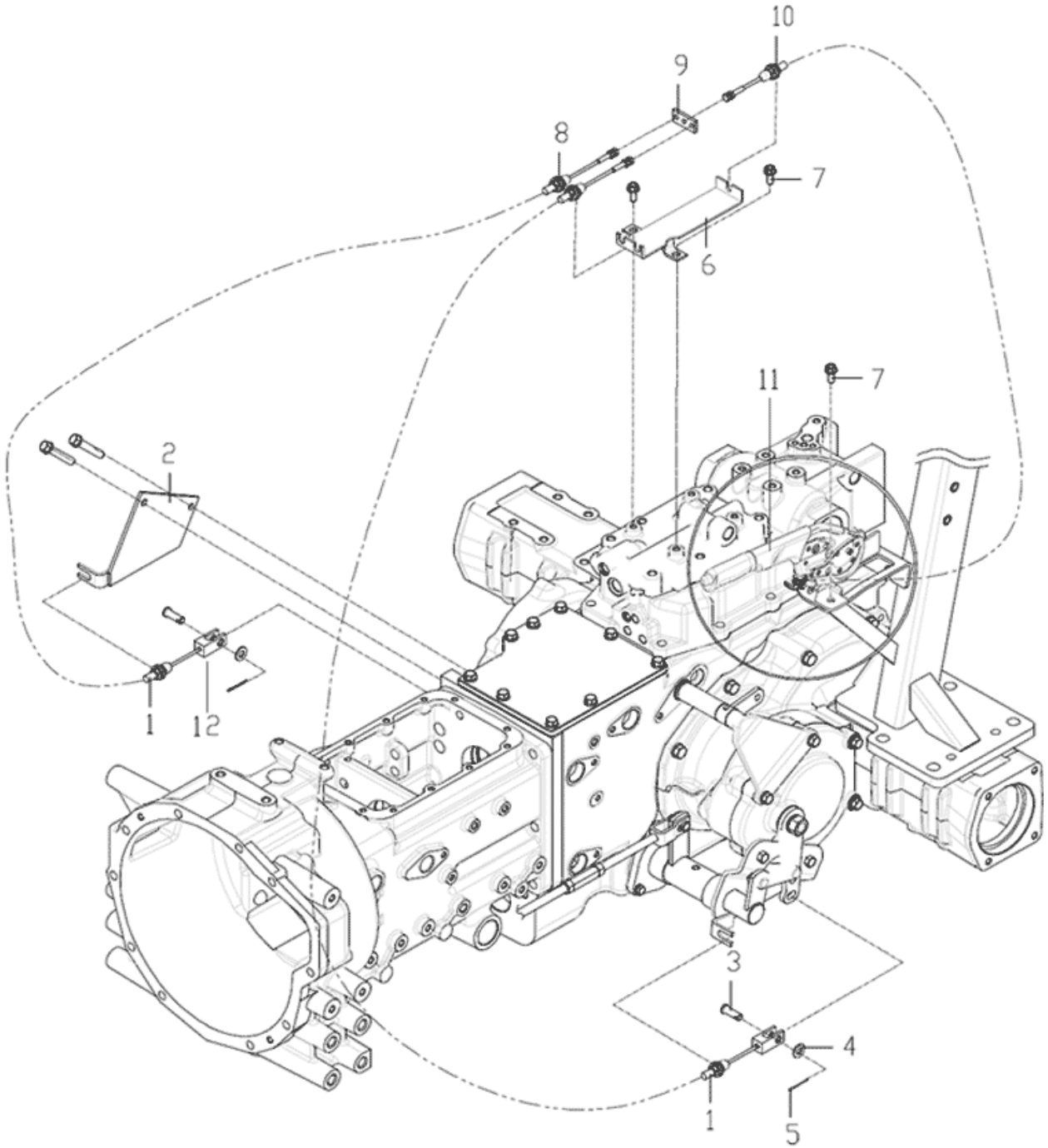
FIG

Branson 6225H(EU)
_IND_NEC(AC01649)

PARKING BRAKE

Year/Month

2021-01



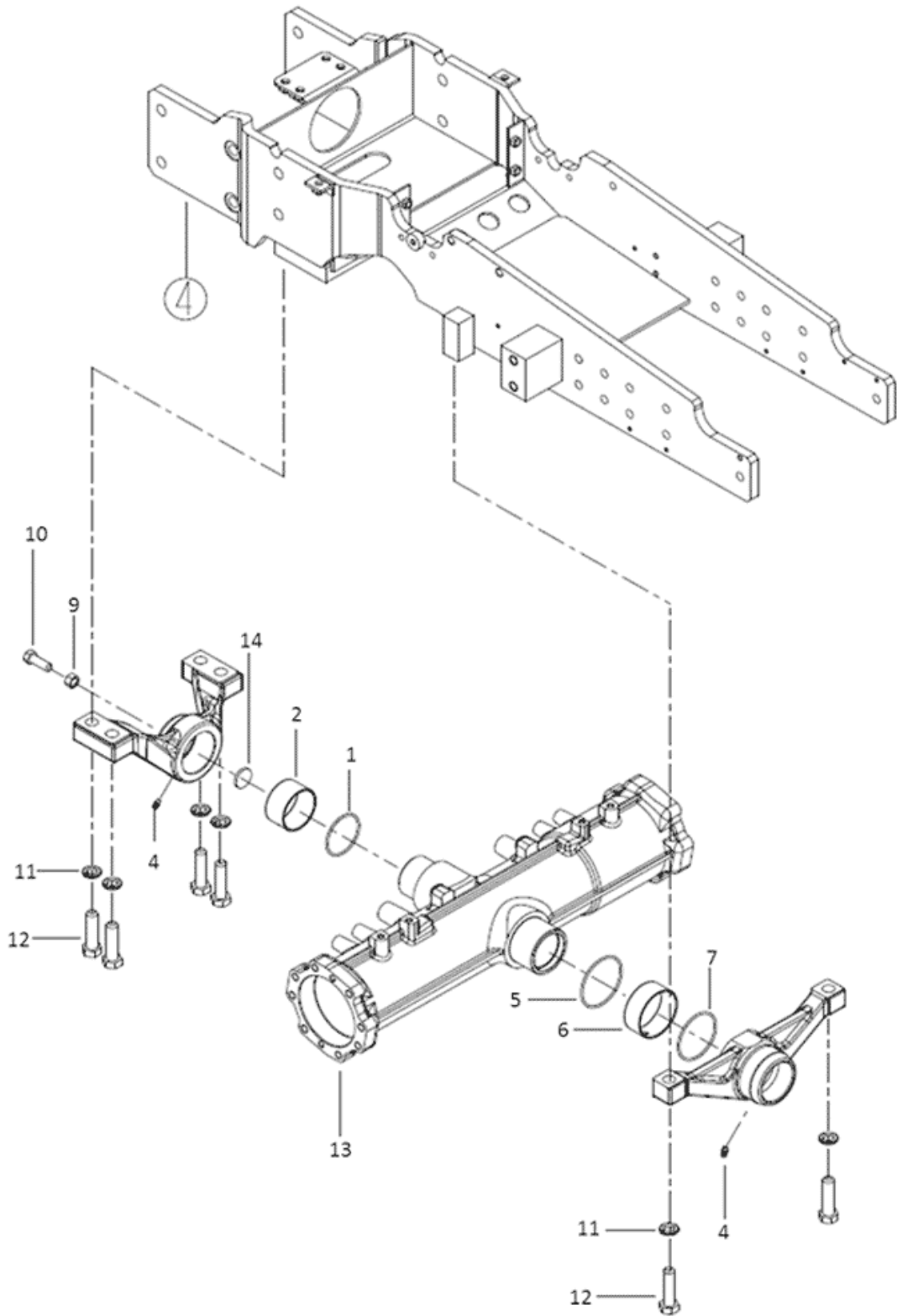
FIG

Branson 6225H(EU)
_IND_NEC(AC01649)

CENTER PIN SUPPORTER

Year/Month

2021-01



FIG

HYD PUMP

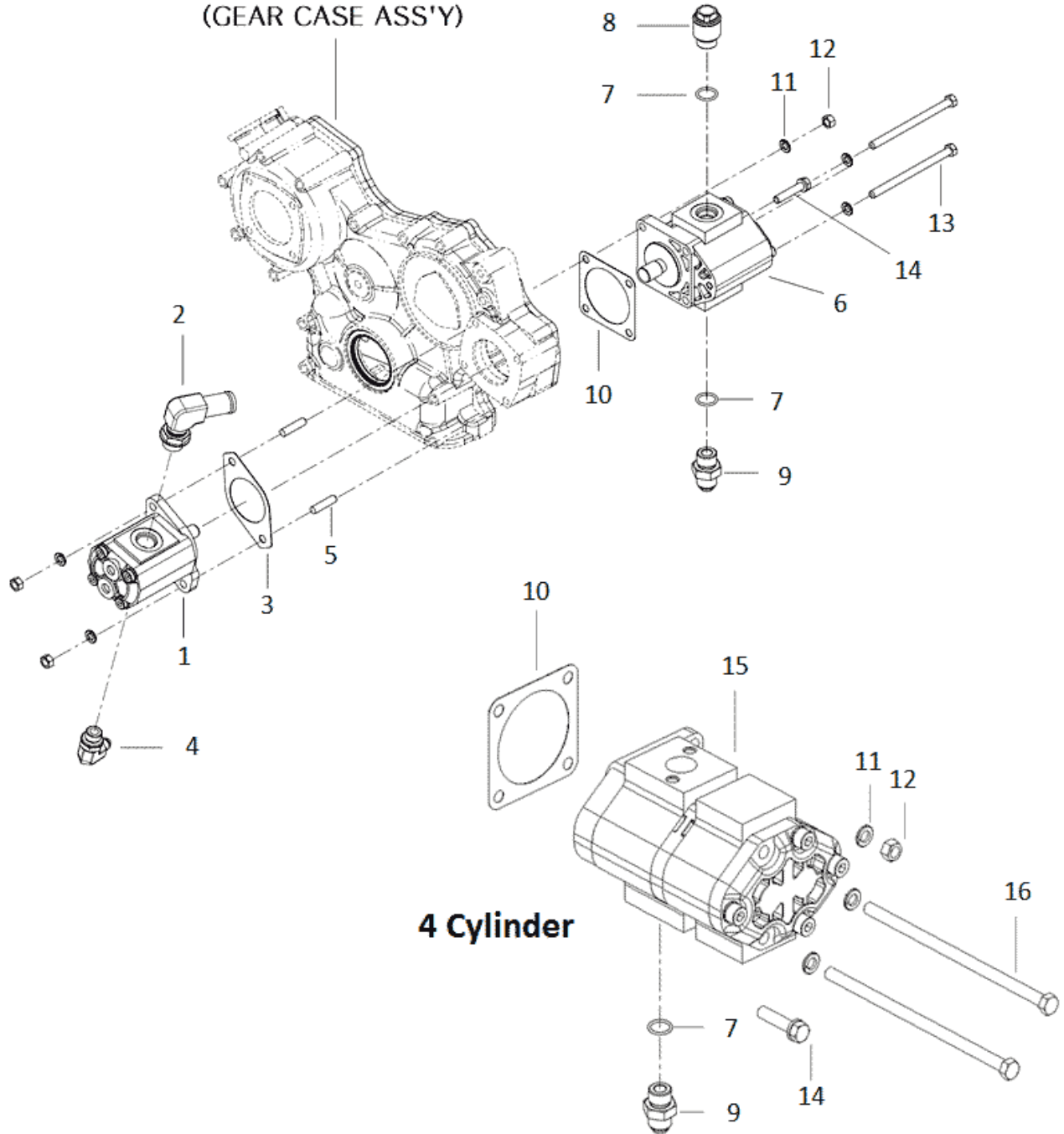
Year/Month

Branson 6225H(EU)
_IND_NEC(AC01649)

2021-01

3 Cylinder

ENGINE PART
(GEAR CASE ASS'Y)



FIG

Branson 6225H(EU)
_IND_NEC(AC01649)

CASE, HYD CYLINDER

Year/Month

2021-01

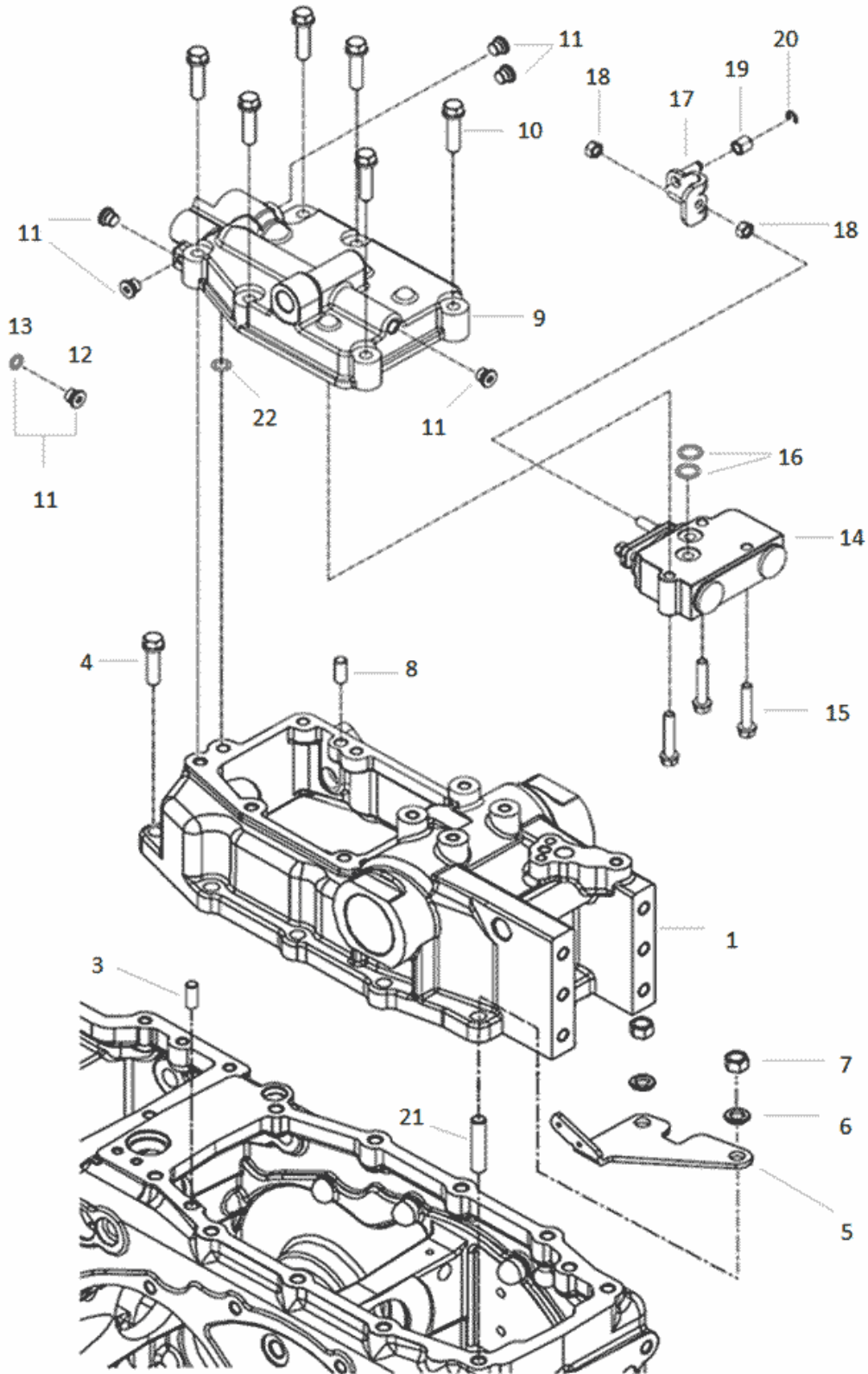


FIG		CASE, HYD CYLINDER			Year/Month
Branson 6225H(EU) _IND_NEC(AC01649)					2021-01
KeyNo.	Part Number	Description	Quantity	Other	
1	TA00033085I	HYD CYLINDER CASE	1		
1	TA00033085C	HYD CYLINDER CASE	1		
1	TA00033085D	HYD CYLINDER CASE	1		
1	TA00033085E	HYD CYLINDER CASE	1		
1	TA00033085F	HYD CYLINDER CASE	1		
1	TA00033085G	HYD CYLINDER CASE	1		
1	TA00033085H	HYD CYLINDER CASE	1		
1	TA00033085I	HYD CYLINDER CASE	1		
1	TA00033085J	HYD CYLINDER CASE	1		
3	22312-100180	PIN, DOWEL (10-18)	1		
4	26013-120352	SCREW,CAPTIVEWASHERCAP	5		
5	TA00034079B	BRACKET, SWITCH	1		
5	TA00034079B	BRACKET, SWITCH	1		
6	22217-120000	WASHER, SPRING (Φ 12)	5		
7	26716-120002	BOLT,CYLINDER HEAD(B)	5		
8	22312-100200	PIN, DOWEL (10-20)	2		
9	TA00033096G	COVER, HYD CYLINDER	1		
9	TA00033096C	COVER, HYD CYLINDER	1		
9	TA00033096D	COVER, HYD CYLINDER	1		
9	TA00033096E	COVER, HYD CYLINDER	1		
9	TA00033096F	COVER, HYD CYLINDER	1		
9	TA00033096G	COVER, HYD CYLINDER	1		
9	TA00033096H	COVER, HYD CYLINDER	1		
10	26013-100452	HEX BOLT W/WASHER	6		
11	TA00045690A	PLUG ASS'Y	5		
11	TA00045690B	PLUG ASS'Y	5		
12	TA00045685A	PLUG	5		
13	24311-000080	O-RING, DYNAMIC (Φ8)	5		
14	TA00033098B	VALVE, CONTROL	1		
14	TA00033098B	VALVE, CONTROL	1		
14	TA00033098C	VALVE, CONTROL	1		
15	26043-080452	BOLT W/WASHER	3		
16	24315-000160	O-RING	2		
17	TA00060775A	CLEVIS	1		
17.10	TA00034000C	CLEVIS AS'Y	1	deleted/삭제	
17.10	TA00034000C	CLEVIS AS'Y	1		
18	26711-080002	NUT	2		
19	TA00033126A	ROLLER	1		
20	22272-000060	RING, CIRCLIP (Φ 06)	1		
21	26216-120352	STEELBOLT	5		
22	24311-000120	O-RING, DYNAMIC (Φ12)	1		

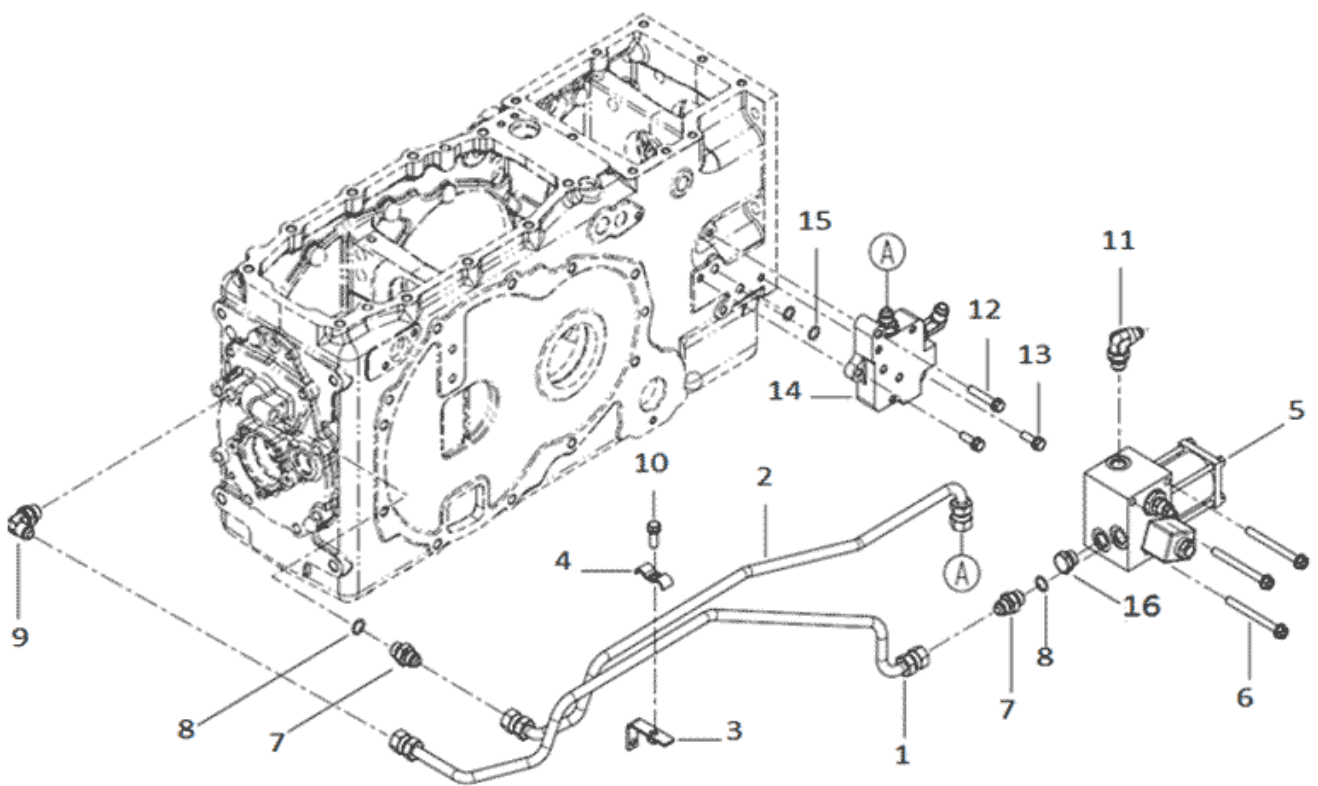
FIG

Branson 6225H(EU)
_IND_NEC(AC01649)

IND PTO SUPPORT

Year/Month

2021-01



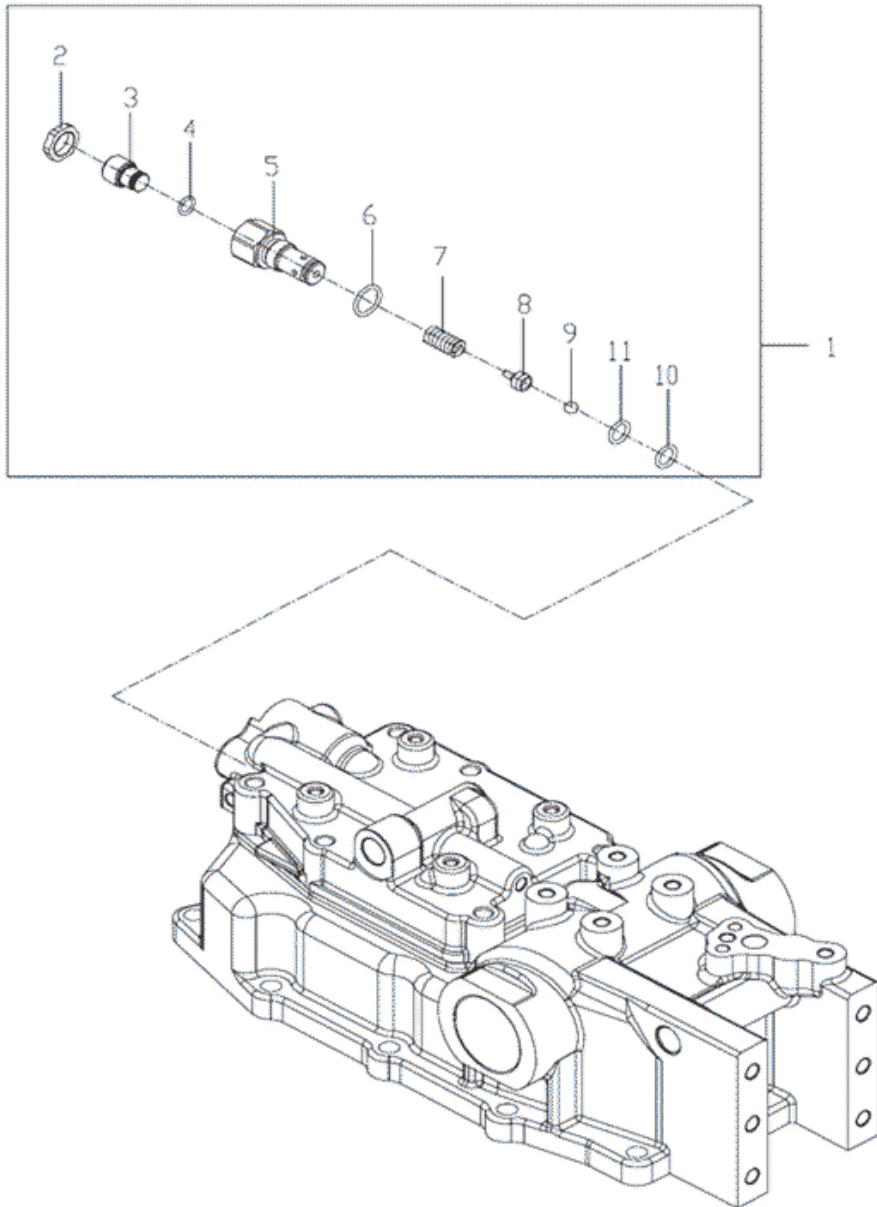
FIG

Branson 6225H(EU)
_IND_NEC(AC01649)

SAFETY VALVE

Year/Month

2021-01



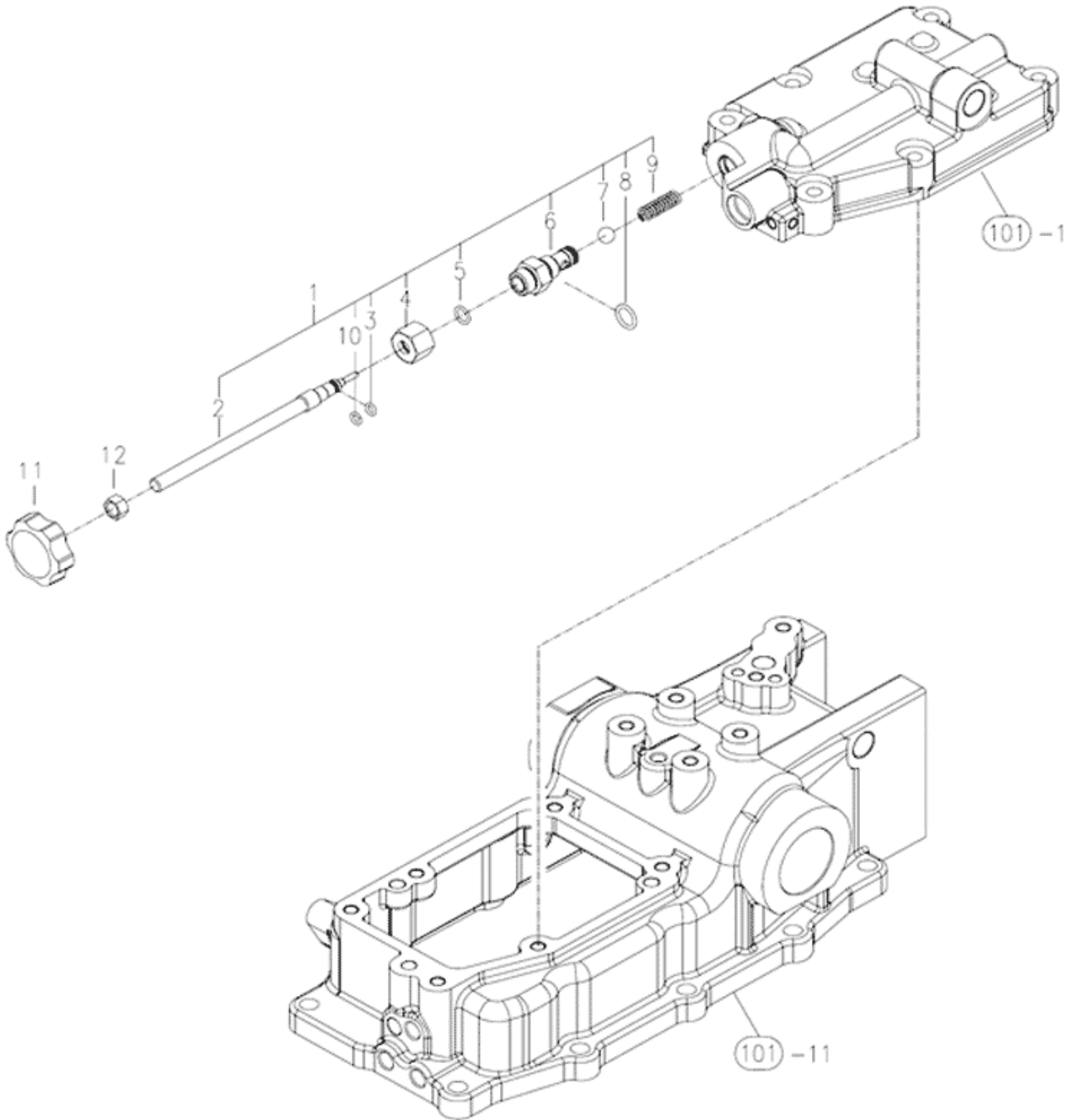
FIG

Branson 6225H(EU)
_IND_NEC(AC01649)

STOP VALVE

Year/Month

2021-01



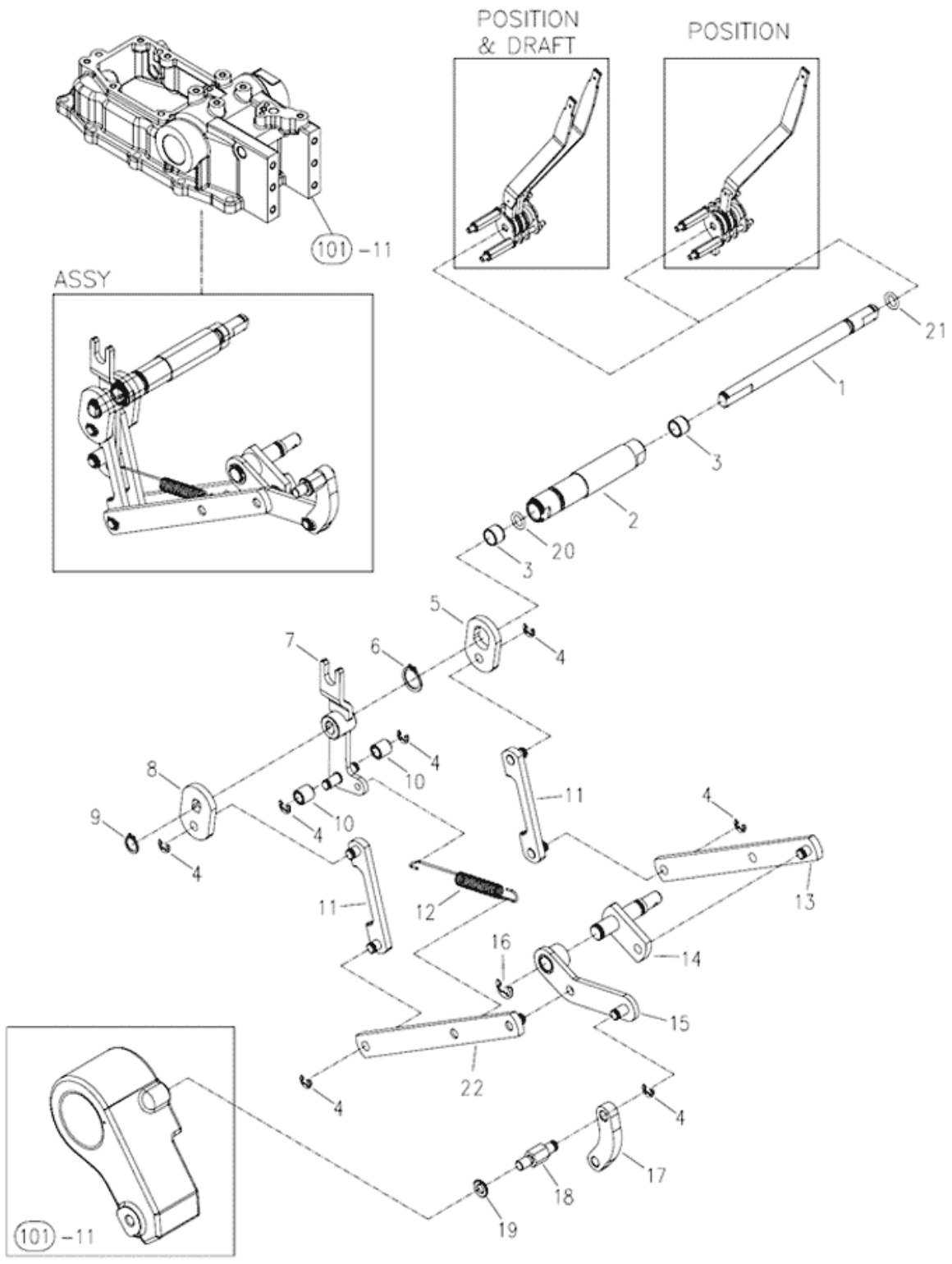
FIG

Branson 6225H(EU)
_IND_NEC(AC01649)

HYD CONTROL

Year/Month

2021-01



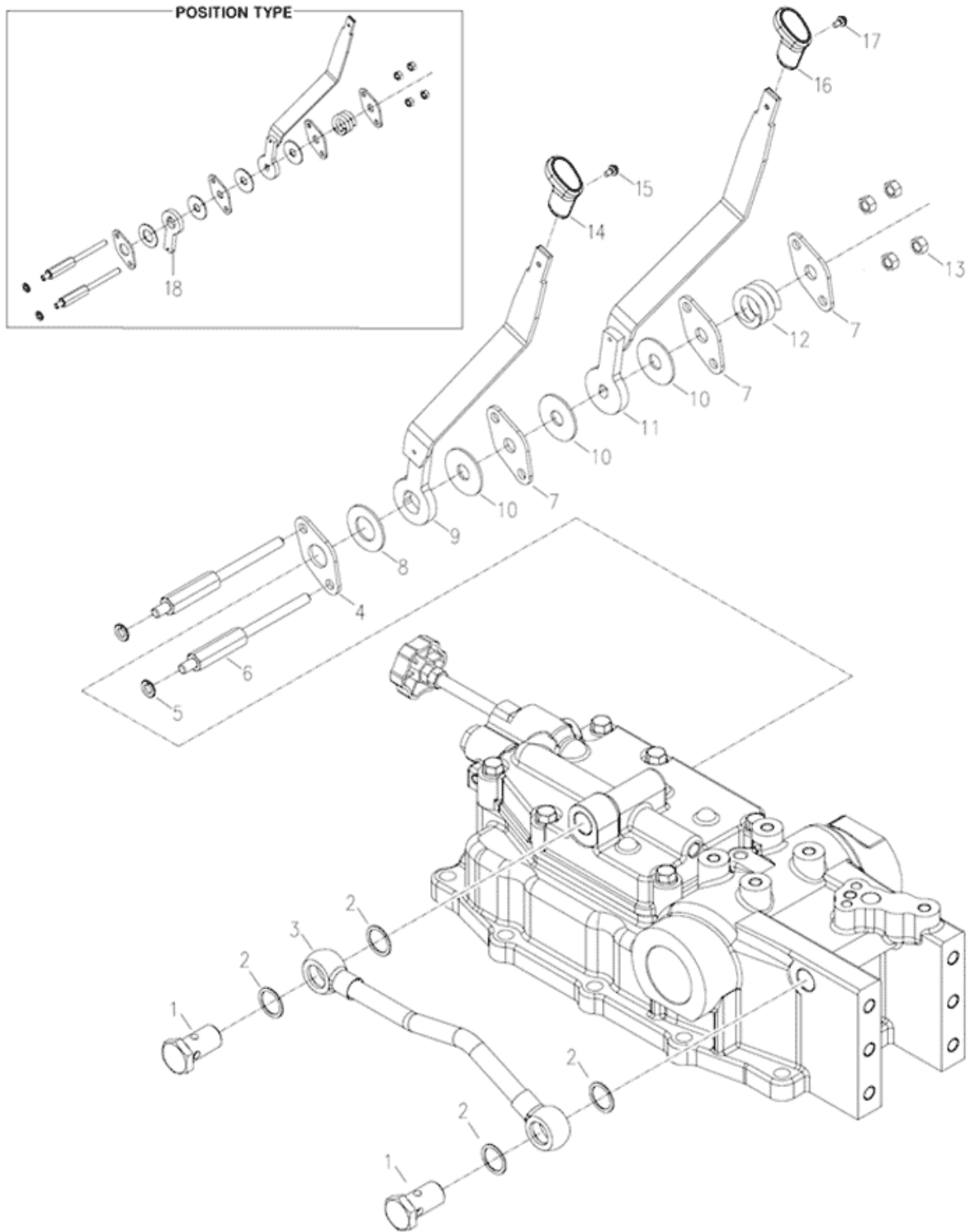
FIG

Branson 6225H(EU)
_IND_NEC(AC01649)

HYD CONTROL

Year/Month

2021-01



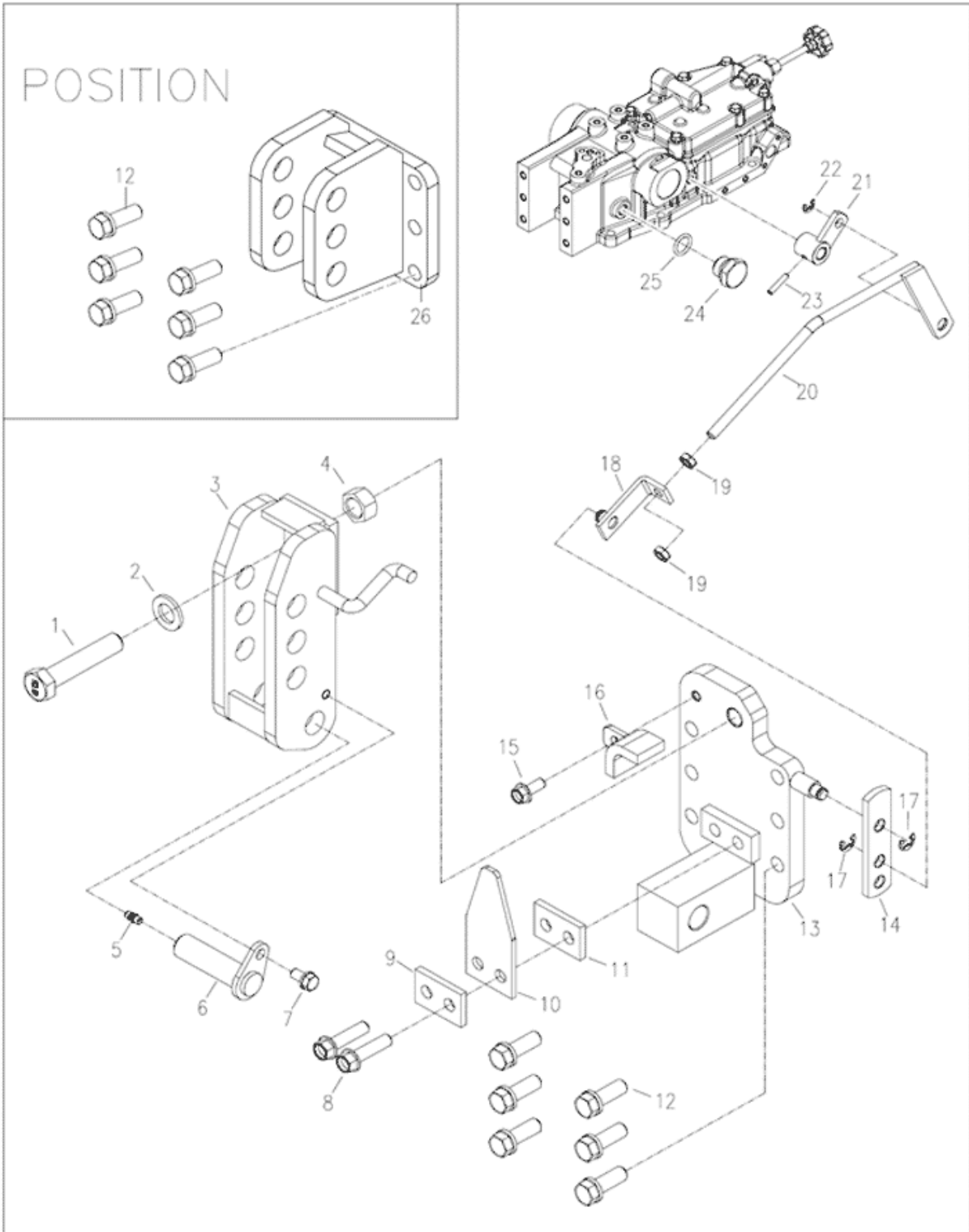
FIG

Branson 6225H(EU)
_IND_NEC(AC01649)

DRAFT CONTROL

Year/Month

2021-01



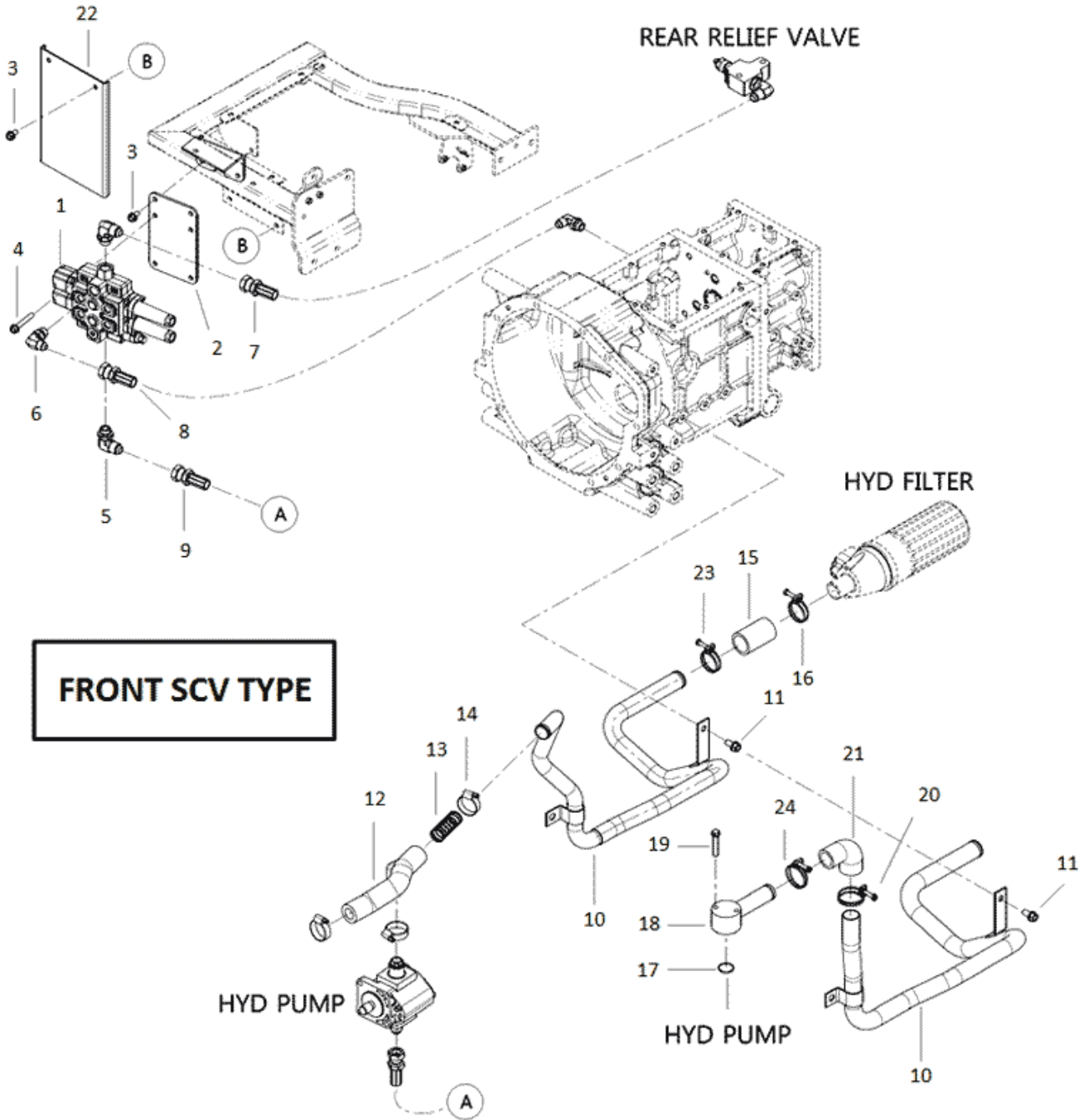
FIG

Branson 6225H(EU)
_IND_NEC(AC01649)

HYD PIPING

Year/Month

2021-01



FIG

HYD PIPING

Year/Month

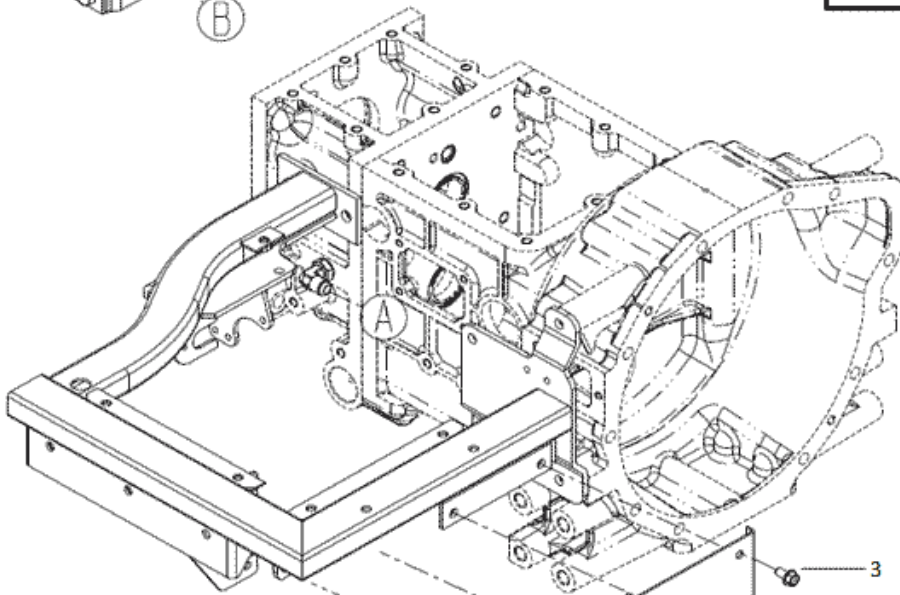
Branson 6225H(EU)
_IND_NEC(AC01649)

2021-01

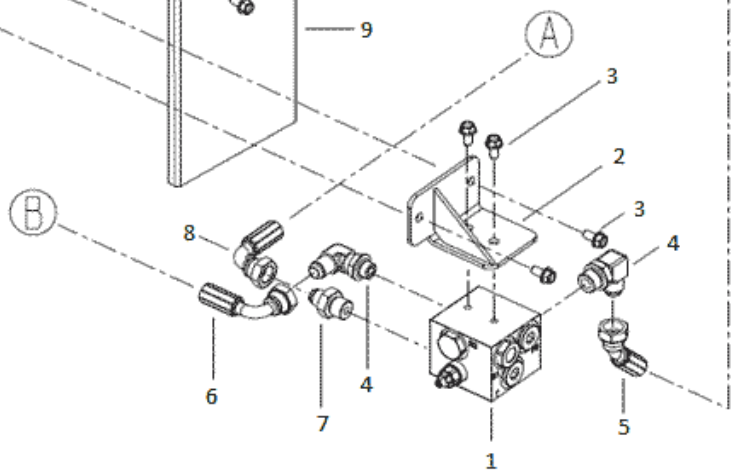
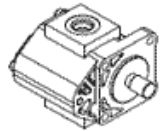
REAR RELIEF VALVE



FRONT VALVE TYPE



HYD PUMP



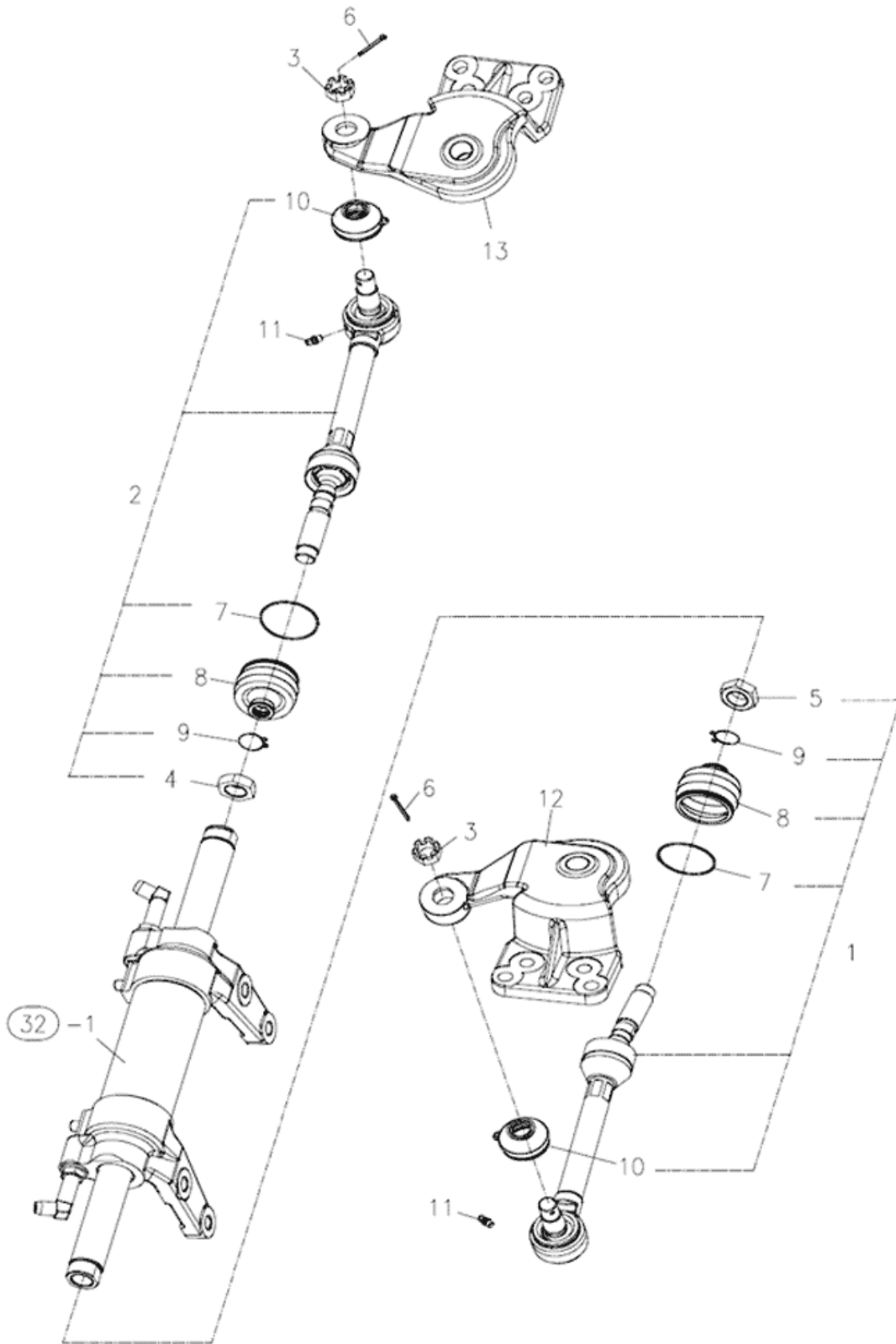
FIG

Branson 6225H(EU)
_IND_NEC(AC01649)

TIE ROD

Year/Month

2021-01



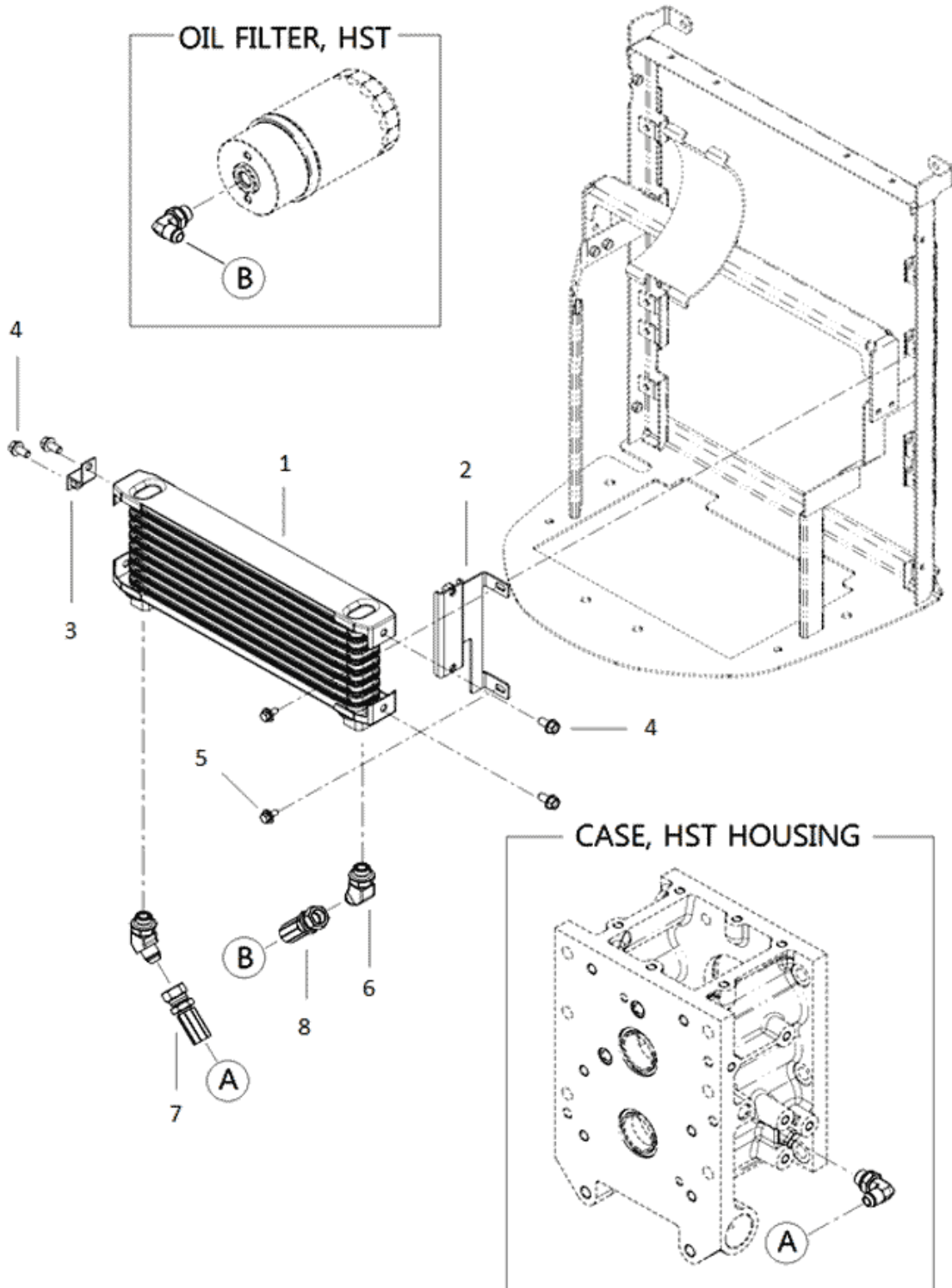
FIG

Branson 6225H(EU)
_IND_NEC(AC01649)

OIL COOLER

Year/Month

2021-01



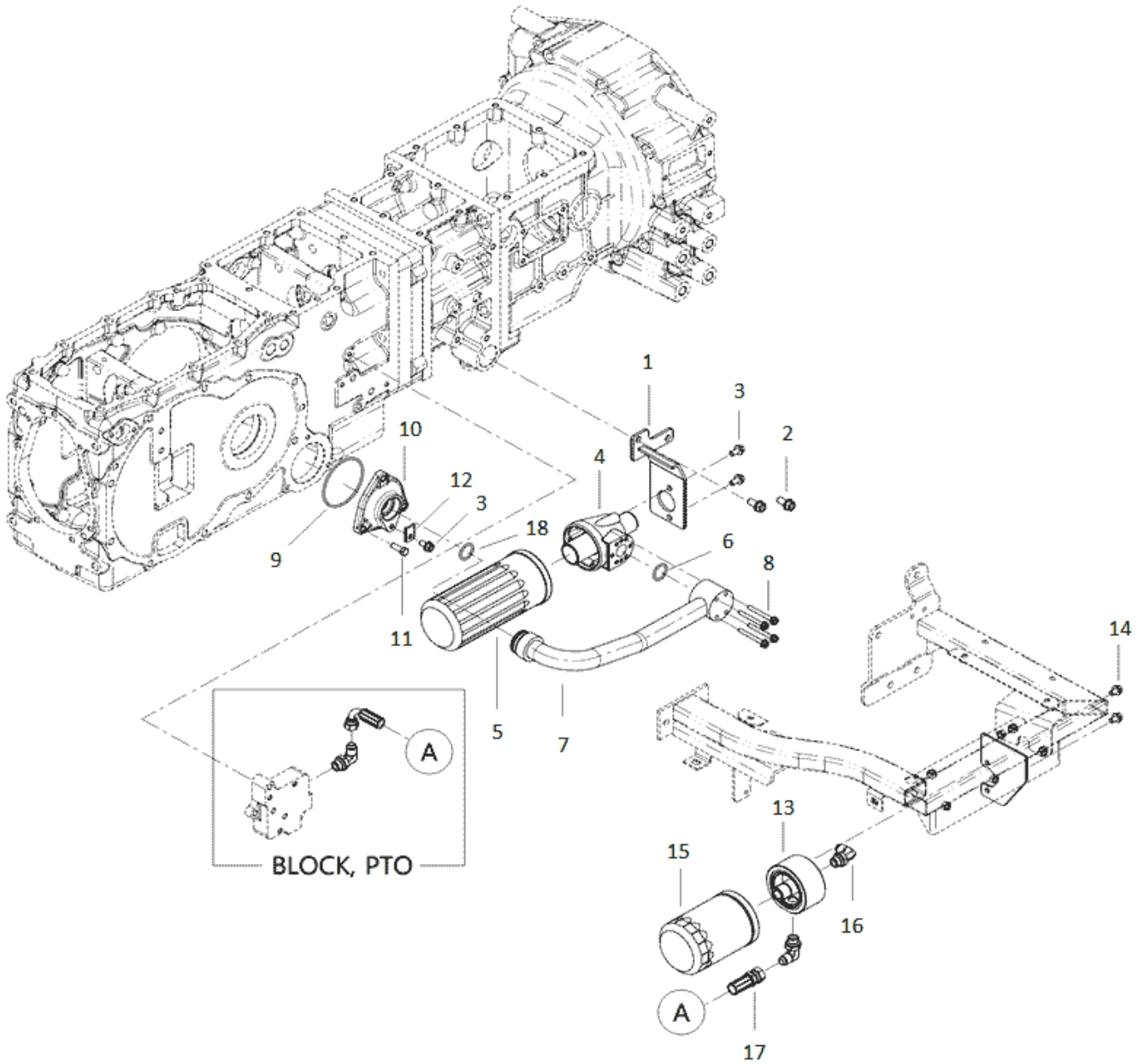
FIG

Branson 6225H(EU)
_IND_NEC(AC01649)

HYD FILTER

Year/Month

2021-01



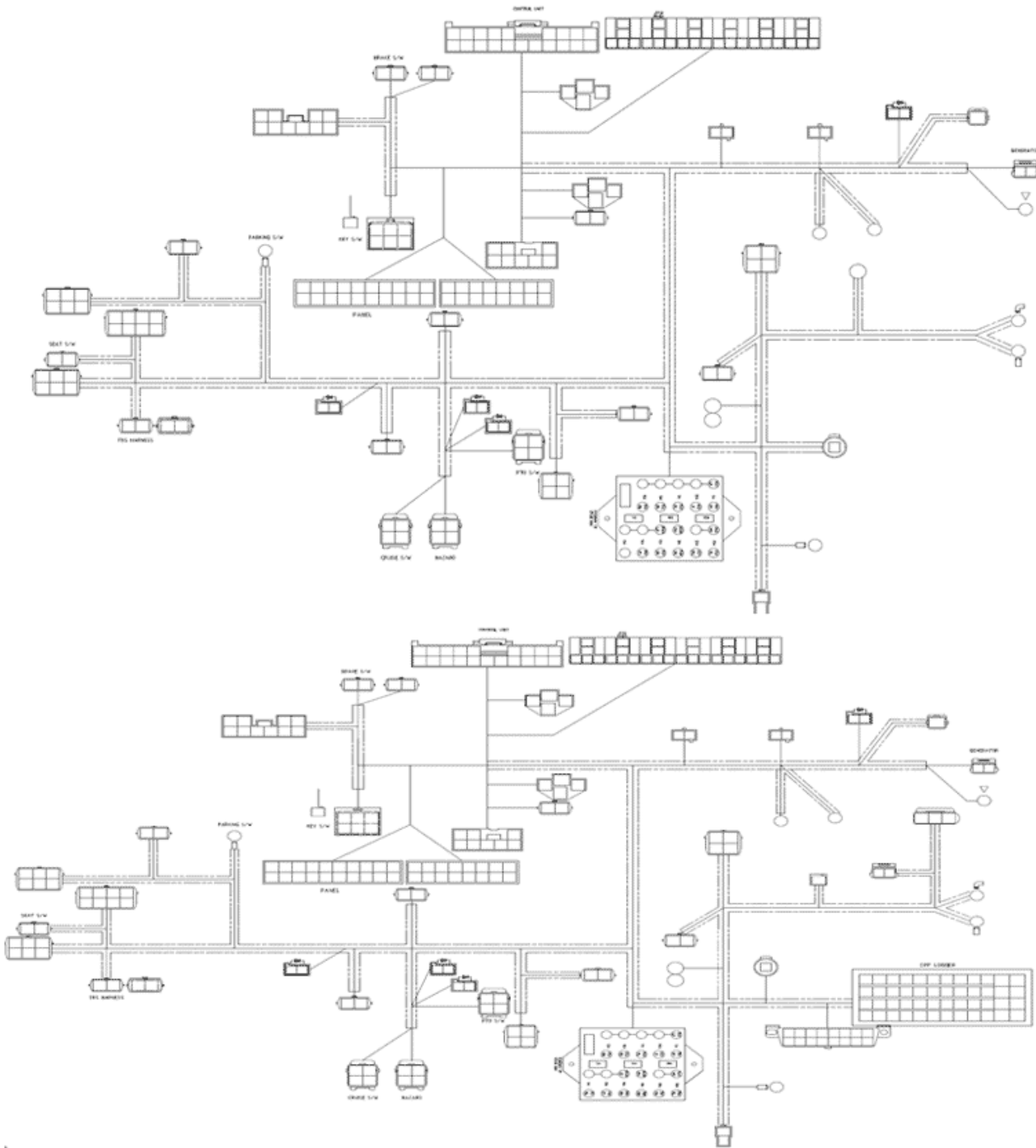
FIG

ELE'C WIRING

Branson 6225H(EU)
_IND_NEC(AC01649)

Year/Month

2021-01



1

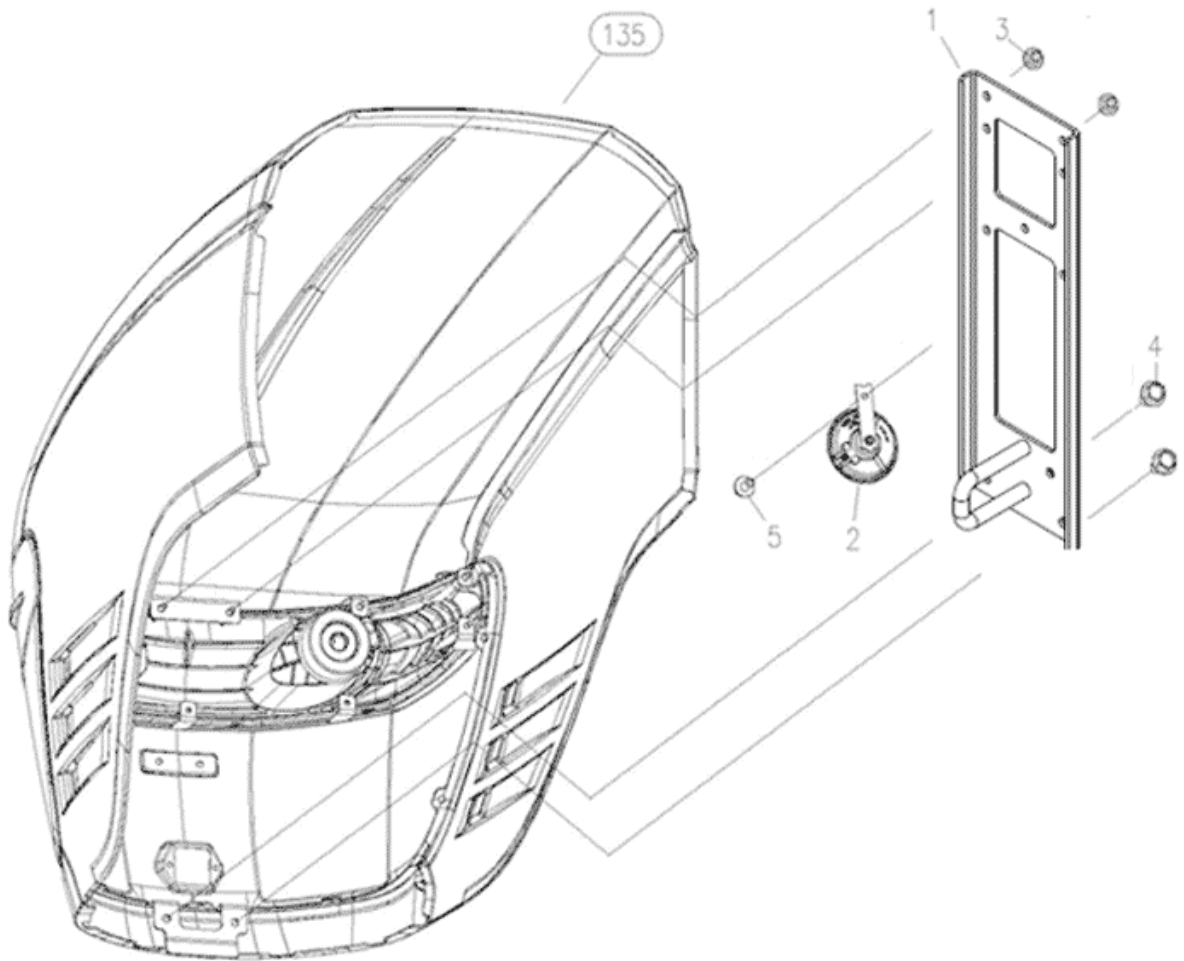
FIG

Branson 6225H(EU)
_IND_NEC(AC01649)

HORN

Year/Month

2021-01



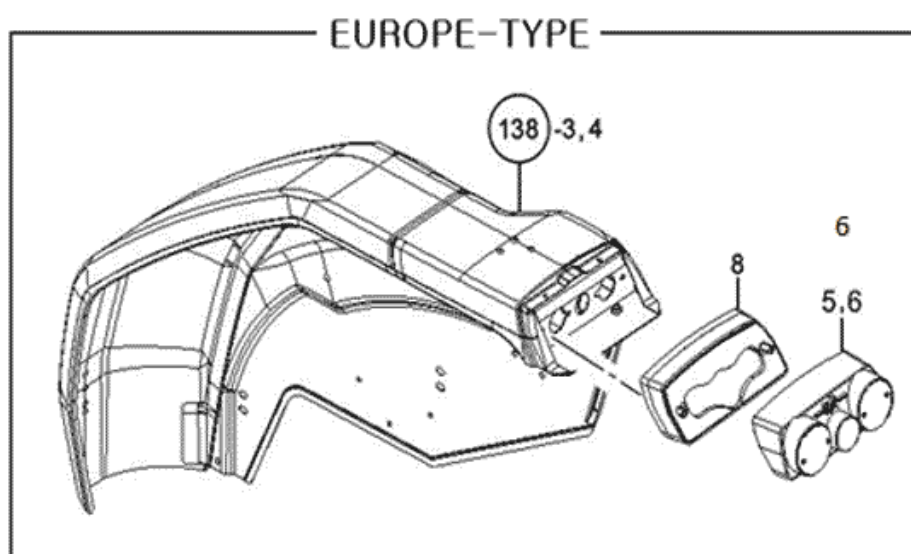
FIG

Branson 6225H(EU)
_IND_NEC(AC01649)

LAMP

Year/Month

2021-01



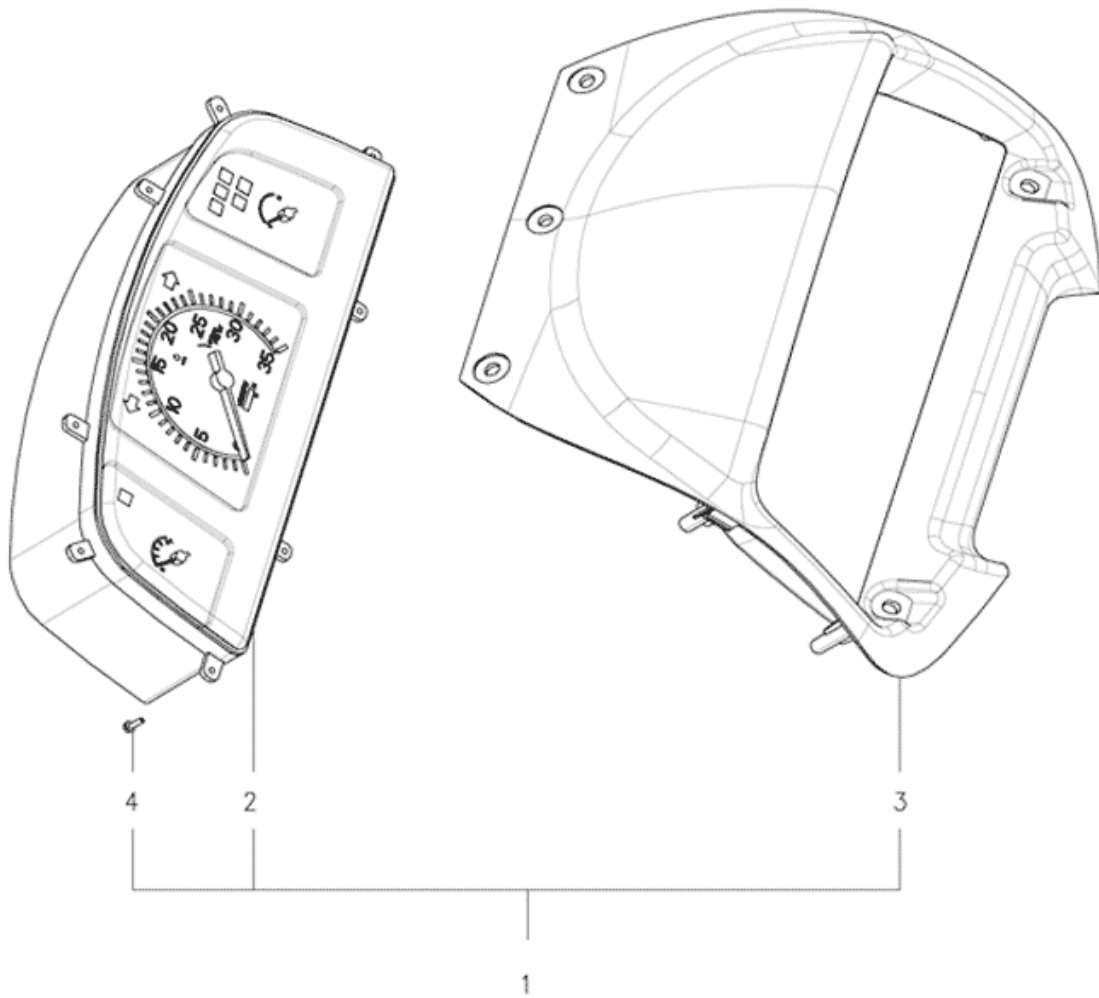
FIG

Branson 6225H(EU)
_IND_NEC(AC01649)

METER ASS'Y

Year/Month

2021-01



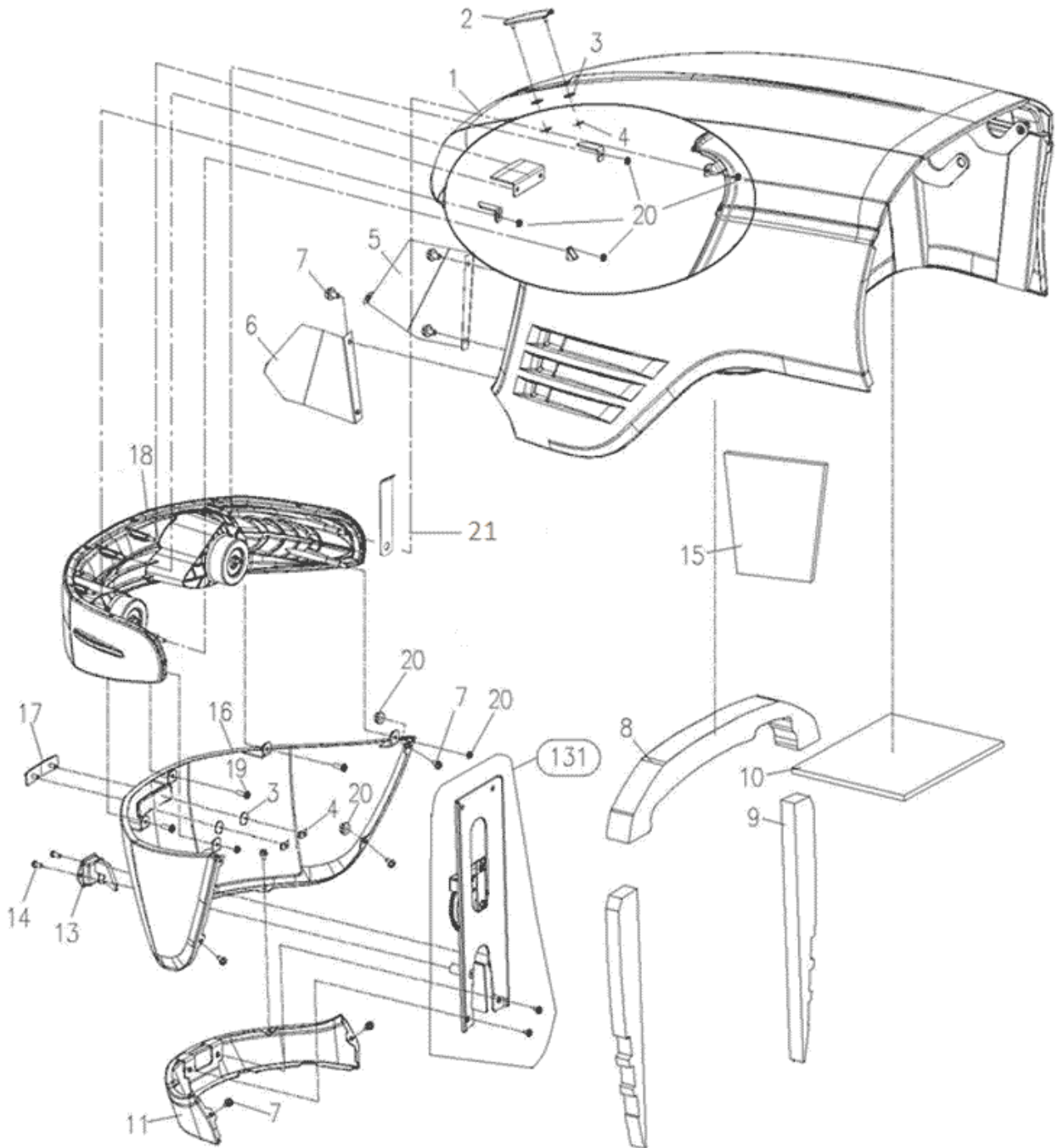
FIG

Branson 6225H(EU)
_IND_NEC(AC01649)

BONNET

Year/Month

2021-01



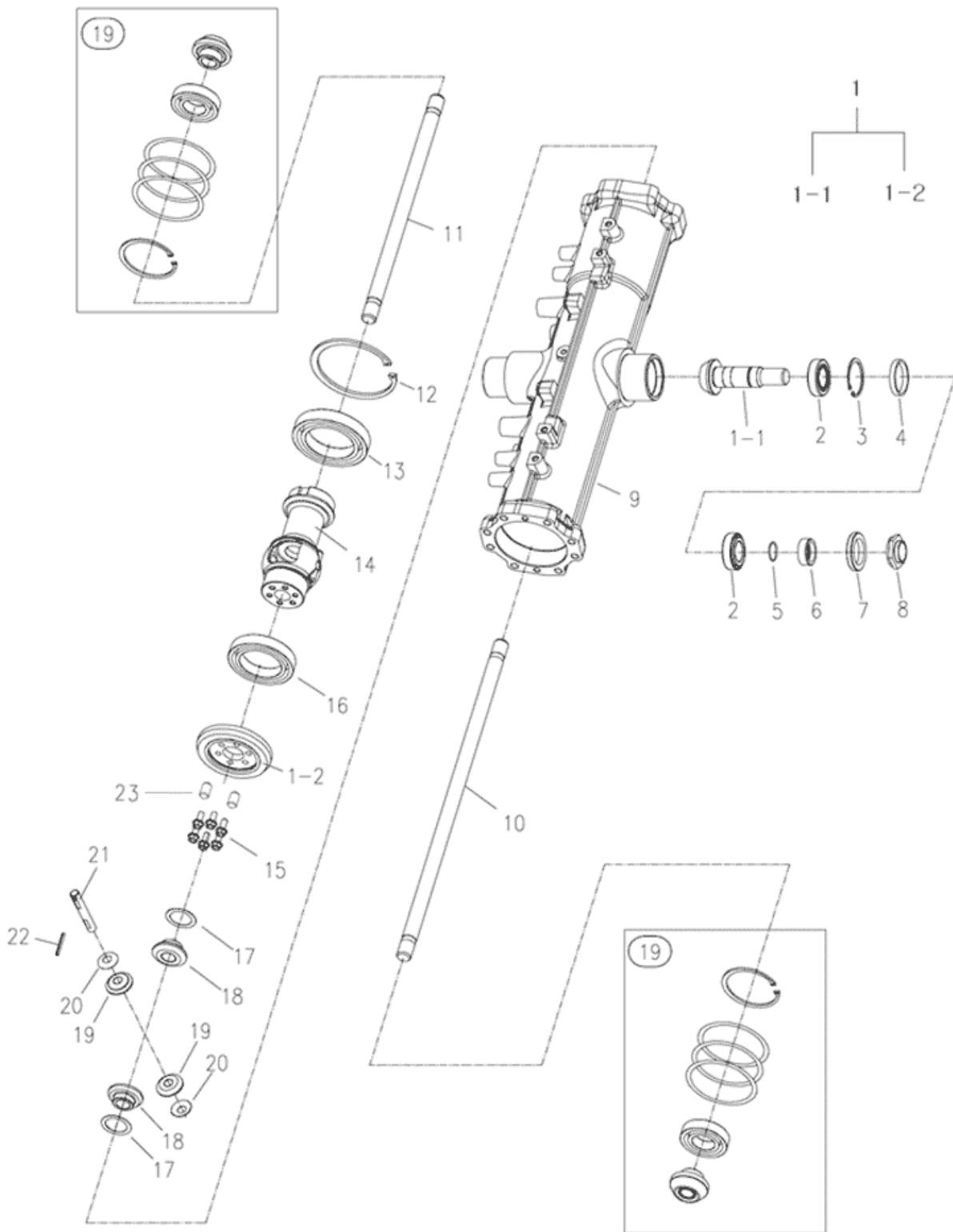
FIG

Branson 6225H(EU)
_IND_NEC(AC01649)

RING GEAR, DIFFERENTIAL GEAR

Year/Month

2021-01



FIG

Branson 6225H(EU)
_IND_NEC(AC01649)

BONNET SUPPORT

Year/Month

2021-01

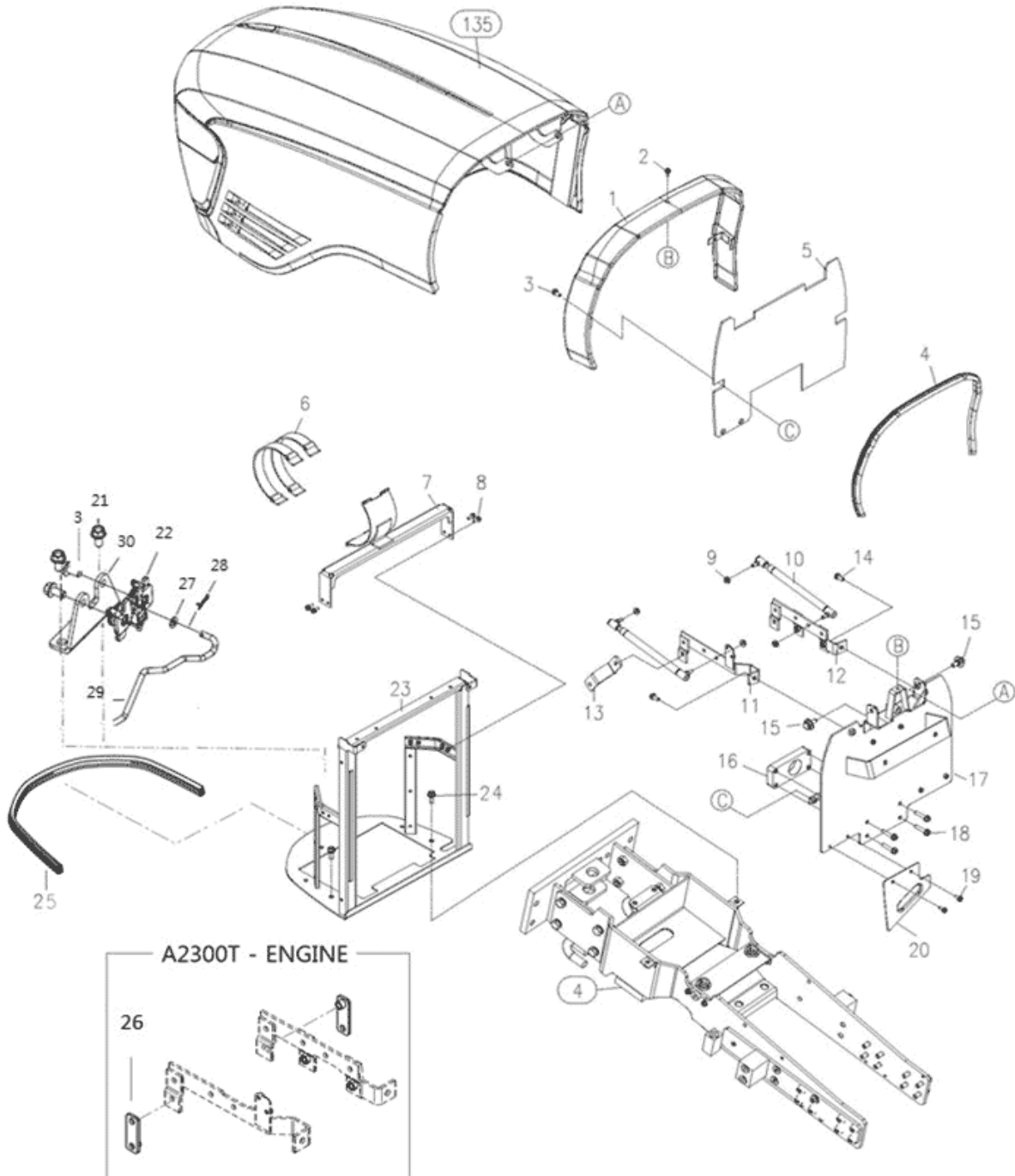


FIG		BONNET SUPPORT			Year/Month
Branson 6225H(EU) _IND_NEC(AC01649)					2021-01
KeyNo.	Part Number	Description	Quantity	Other	
1	TA00024296D	EXTEMSION COVER	1		
1	TA00024296B	EXTEMSION COVER ,ASSY	1		
1	TA00024296C	EXTENSION COVER	1		
1	TA00024296D	EXTEMSION COVER	1		
2	26106-060142	BOLT	2		
3	26106-080162	SCREW,HEXFLANGEHEADCAP	6		
4	TA00033052A	STRIP	1		
5	TA00023917B	SPONGE	1		
5	TA00023917B	SPONGE	1		
6	TZD6890000A4	BAND,AIRCLEANERHOLDING	2		
7	TA00034921B	BRACKET, AIR-CLEANER	1		
7	TA00034921B	BRACKET, AIR-CLEANER	1		
8	26106-060122	HEX BOLT (6-12)	4		
9	26367-080002	HEX FLANGE NUT (Φ8)	4		
10	TA00023455B	GAS SPRING	2		
10	TA00023455B	GAS SPRING	2		
11	TA00034874B	BRACKET A	1		
11	TA00034874B	BRACKET A	1		
11	TA00034874C	BRACKET A	1		
12	TA00034873B	BRACKET ASS'Y	1		
12	TA00034873B	BRACKET ASS'Y	1		
12	TA00034873C	BRACKET ASS'Y	1		
14	26106-080182	SCREW,HEXFLANGEHEADCAP	2		
15	TA00022981A	BONNET BOLT	2		
15	TA00022981B	BONNET BOLT	2		
17	TA00029767C	BONNET SUPPORT ASM	1		
17	TA00029767B	BONNET SUPPORT ASM	1		
17	TA00029767C	BONNET SUPPORT ASM	1		
18	26106-080202	SQR FLANGE BOLT	4		
19	26106-060162	HEXFLANGEBOLT	10		
20	TA00025502B	PLATE	1		
20	TA00025502B	PLATE	1		
21	26106-100202	HEX BOLT, (10-20)	4		
22	TA00053140A	LATCH ASSY	1		
23	TA00053538A	GRILL FRAME ASSY	1		
23	TA00053538B	GRILL FRAME ASSY	1		
24	26106-100202	HEX BOLT, (10-20)	4		
25	TA00038101A	STRIP	1		
26	TA00036648A	BRACKET ASS'Y	2		
27	22137-060000	WASHER , PLAIN	1		
28	RR47070000B4	PIN 6, COME-OFF SNAP	1		
28	RR47070000B4	PIN 6, COME-OFF SNAP	1		
28	RR47070000C4	PIN 6, COME-OFF SNAP	1		
29	TA00051291A	ROD (25SE)	1		
29	TA00051291B	ROD (25SE)	1		

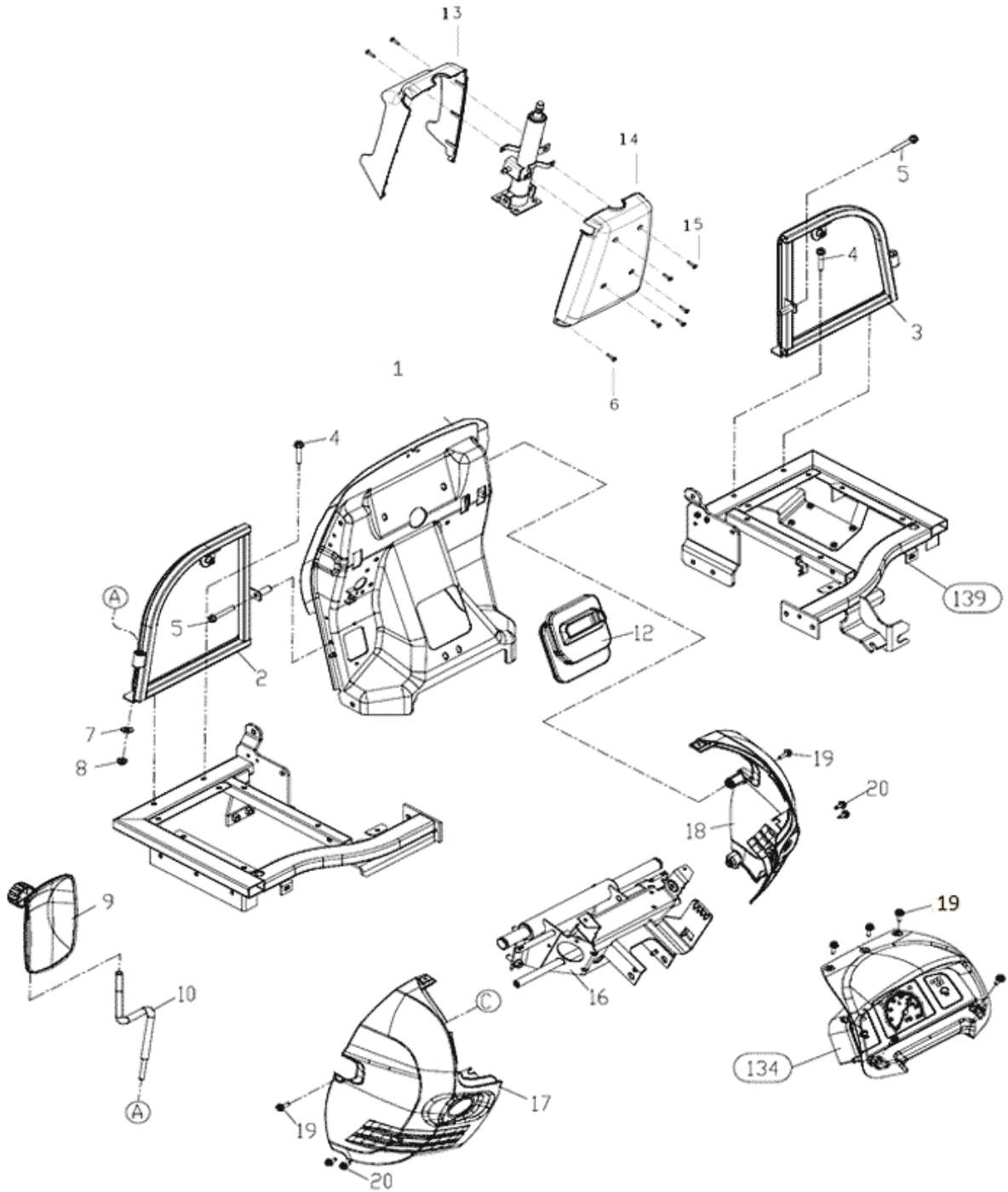
FIG

Branson 6225H(EU)
_IND_NEC(AC01649)

DASH BOARD

Year/Month

2021-01



FIG

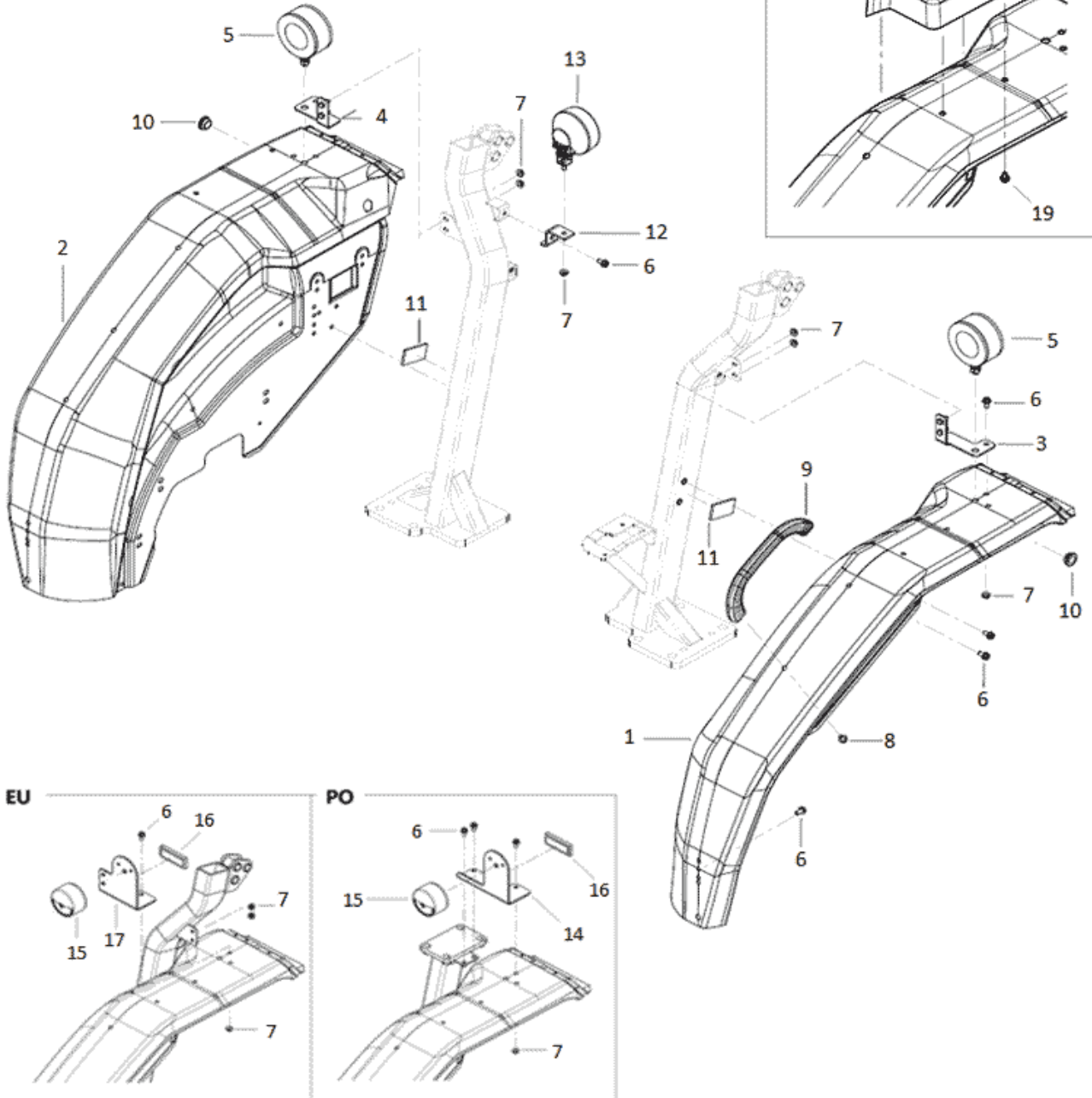
Branson 6225H(EU)
_IND_NEC(AC01649)

FENDER

Year/Month

2021-01

TUMBLER HOLDER



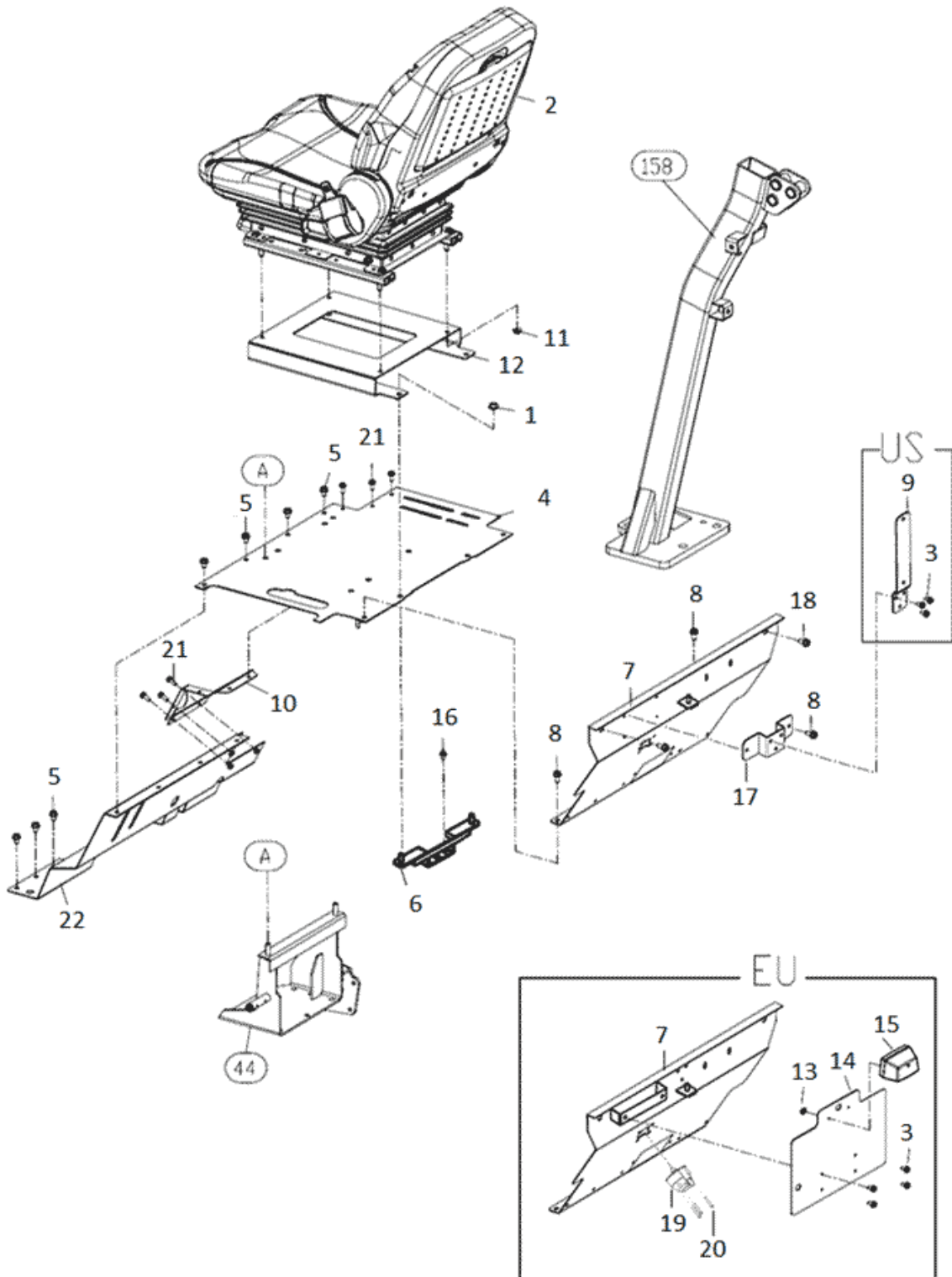
FIG

Branson 6225H(EU)
_IND_NEC(AC01649)

SEAT

Year/Month

2021-01



FIG

Branson 6225H(EU)
_IND_NEC(AC01649)

FUEL TANK(SB)

Year/Month

2021-01

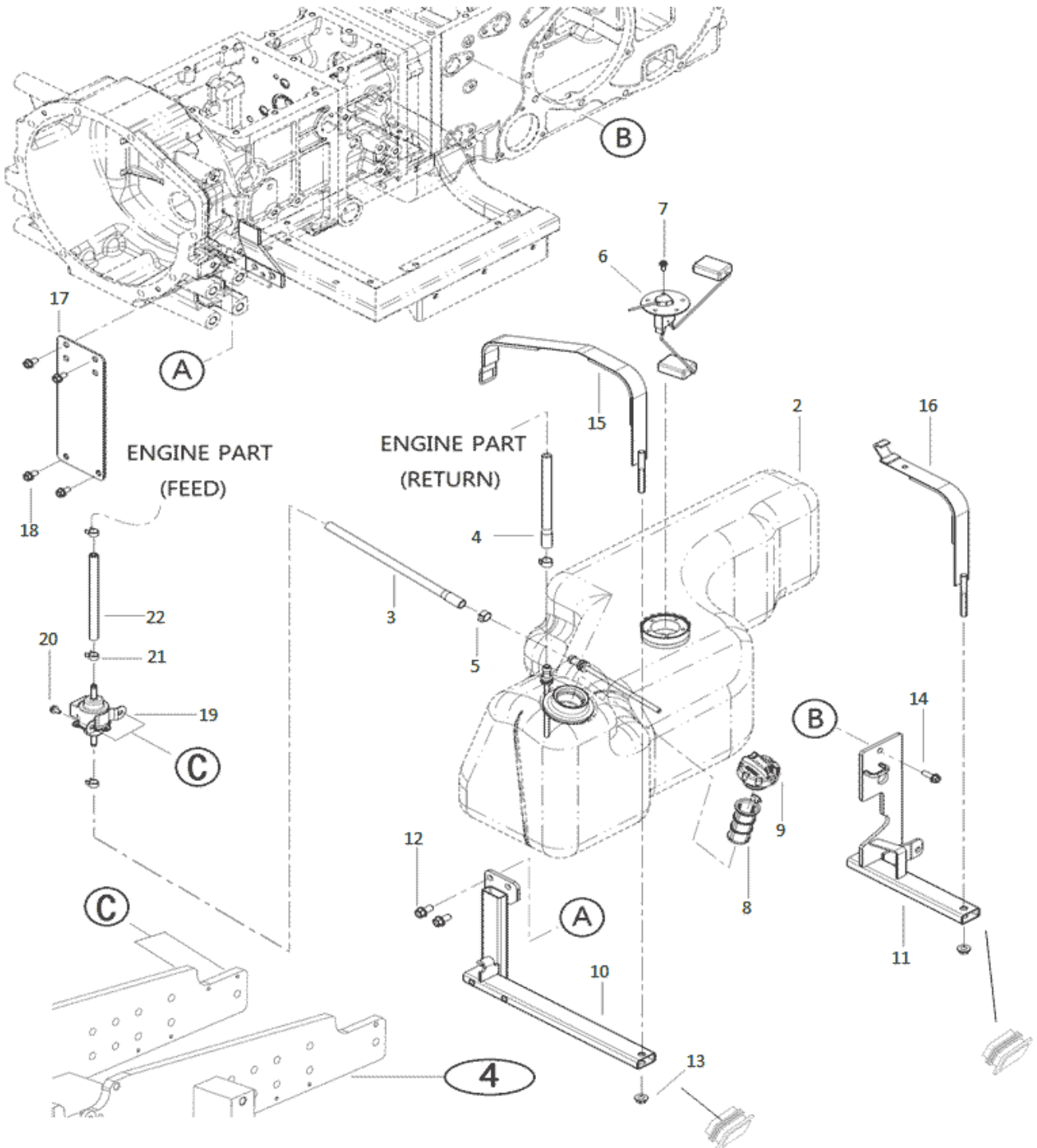


FIG		FUEL TANK(SB)			Year/Month
Branson 6225H(EU) _IND_NEC(AC01649)					2021-01
KeyNo.	Part Number	Description	Quantity	Other	
1	TA00037917B	FUEL TANK ASS'Y	1		
1	TA00037917B	FUEL TANK ASS'Y	1		
1	TA00037917C	FUEL TANK ASS'Y	1		
2	TA00035291D	FUEL TANK ASSY	1		
2	TA00035291B	FUEL TANK ASSY	1		
2	TA00035291C	FUEL TANK ASSY	1		
2	TA00035291D	FUEL TANK ASSY	1		
3	TA00036178C	FUEL LINE(1000)	1		
3	TA00036178B	FUEL LINE(1000)	1		
3	TA00036178C	FUEL LINE(1000)	1		
4	TA00036175C	FUEL LINE(1100)	1		
4	TA00036175B	FUEL LINE(1100)	1		
4	TA00036175C	FUEL LINE(1100)	1		
5	23080-015000	Clamp, Hose (Φ15)	2		
6	HA00000855A	FUEL SENSOR	1		
7	26106-050142	HEX FLANGE BOLT (5-14)	5		
8	TA00056576A	FUEL TANK STRAINER	1		
9	TA00037880A	FUEL CAP	1		
10	TA00035817E	TANK SUPPORT, FRONT	1		
10	TA00035817C	TANK SUPPORT ASSY	1		
10	TA00035817D	TANK SUPPORT ASSY	1		
10	TA00035817E	TANK SUPPORT, FRONT	1		
10	TA00035817F	FUEL TANK SUPPORT ASS'Y	1		
11	TA00035819C	FUEL TANK REAR SUPPROT	1		
11	TA00035819B	FUEL TANK REAR SUPPROT	1		
11	TA00035819C	FUEL TANK REAR SUPPROT	1		
11	TA00035819D	FUEL TANK REAR SUPPORT	1		
12	26106-100202	HEX BOLT, (10-20)	6		
13	26367-100002	NUT,HEXAGONFLANGE	2		
14	26106-080252	SCREW,HEXFLANGEHEADCAP	1		
15	TA00035957E	FRONT BAND ASSY	1		
15	TA00035957B	FRONT BAND ASSY	1		
15	TA00035957C	FRONT BAND ASSY	1		
15	TA00035957D	FRONT BAND ASSY	1		
15	TA00035957E	FRONT BAND ASSY	1		
16	TA00035974E	BAND REAR ASSY	1		
16	TA00035974B	BAND REAR ASSY	1		
16	TA00035974C	BAND REAR ASSY	1		
16	TA00035974D	FUEL TANK BAND, REAR	1		
16	TA00035974E	BAND REAR ASSY	1		
17	TA00035811C	COVER	1		
17	TA00035811B	COVER	1		
17	TA00035811C	COVER	1		
18	26106-080162	SCREW,HEXFLANGEHEADCAP	4		
19	HF20190000A2	FUEL FEED PUMP	1		

FIG

NAME PLATE

Year/Month

Branson 6225H(EU)
_IND_NEC(AC01649)

2021-01

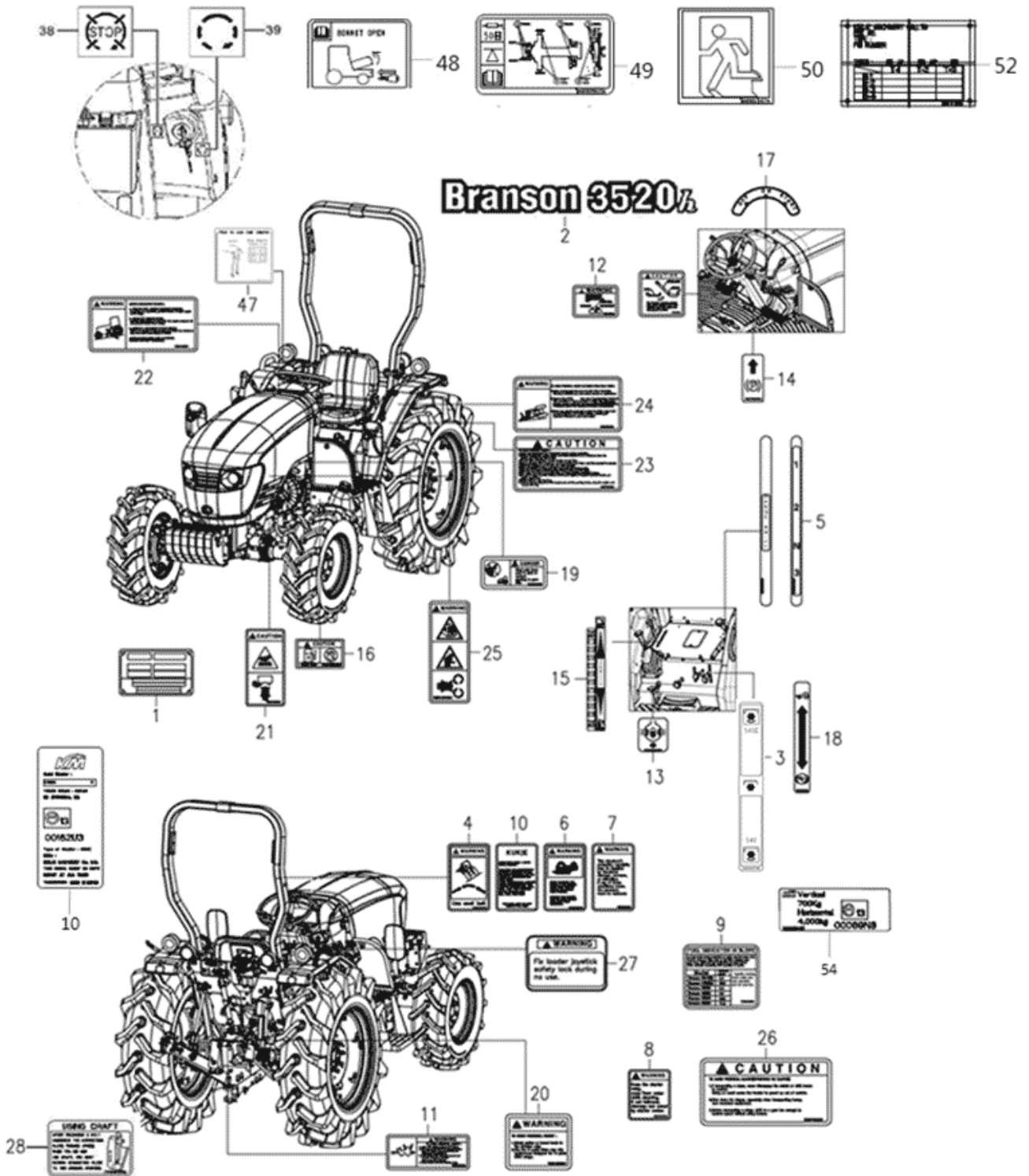


FIG		NAME PLATE			Year/Month
Branson 6225H(EU) _IND_NEC(AC01649)					2021-01
KeyNo.	Part Number	Description	Quantity	Other	
2	TA00044050B	6225H BONNET NAME PLATE	1		
2	TA00044050B	6225H BONNET NAME PLATE	1		
3	TA00000276B	NAME PLATE, PTO 1-2	1		
3	TA00000276B	NAME PLATE, PTO 1-2	1		
4	NTE5150000C	NAME PLATE, SEAT	1		
5	NTE5200000C	NAME PLATE, SUB SHIFT	1		
5	NTE5200000C3	NAME PLATE, RANGE SHIFT	1		
6	NTE5210000C	NAME PLATE, WARNING	1		
7	NTE5220000C	NAME PLATE, DANGER	1		
8	NTE5270000A4	NAME PLATE, WARNING(STARTER RELAY)	1		
9	TA00032309A	NAME PLATE CAUTION(FUEL)	1		
10	TA00053860B	ROPS EEC NAME PLATE	1		
10	TA00053860B	ROPS EEC NAME PLATE	1		
10.10	NTE5830000D	NAME PLATE, ROPS	1	deleted/삭제	
10.10	NTE5830000B4	NAME PLATE, ROPS	1		
10.10	NTE5830000C4	NAME PLATE, ROPS	1		
10.10	NTE5830000D4	NAME PLATE, ROPS	1		
10.10	NTE5830000E4	NAME PLATE, ROPS	1		
10.20	TA00030942C	ROPS NAME PLATE	1	deleted/삭제	
10.20	TA00030942B	ROPS NAME PLATE	1		
10.20	TA00030942C	ROPS NAME PLATE	1		
10.20	TA00030942D	ROPS NAME PLATE	1		
10.30	TA00029539D	20R_ROPS NAME PLATE	1	deleted/삭제	
10.30	TA00029539B	20R_ROPS NAME PLATE	1		
10.30	TA00029539C	20R_ROPS NAME PLATE	1		
10.30	TA00029539D	20R_ROPS NAME PLATE	1		
10.30	TA00029539E	20R_ROPS NAME PLATE	1		
11	TA00015596B	PTO WARNING PLATE	1		
11	TA00015596B	PTO WARNING PLATE	1		
12	TA00015723A	LABEL, BRAKE PEDAL	1		
13	TZE4130000B	NAME PLATE,DIFFERENTIAL	1		
14	TZE4150000A4	LABEL, PAKING BRAKE	1		
15	TA00036922A	LIFT STICKER	1		
15	TA00036922B	LIFT STICKER	1		
16	TZE4190000C	NAME PLATE, REFUEL	1		
17	TZE4330000B	NAME PLATE,KEY SWITCH	1		
18	TZE5050000B	NAME PLATE, FRONT WHEEL	1		
18	TZE5050000B4	LABEL,FRONTDRIVE	1		
19	TZE5110000C	NAME PLATE,START	1		
19	TZE5110000C4	NAME PLATE, START	1		
20	TZE5120000B	NAME PLATE,CAUTION-CONNECTION	1		
21	TZE5130000C	NAME PLATE, CAUTION	1		
22	TZE5140000B	NAME PLATE,CAUTION-GETTING OFF	1		
23	TZE5160000B	NAME PLATE,CAUTION-SAFETY	1		
24	TZE5170000B	NAME PLATE,ROPS	1		

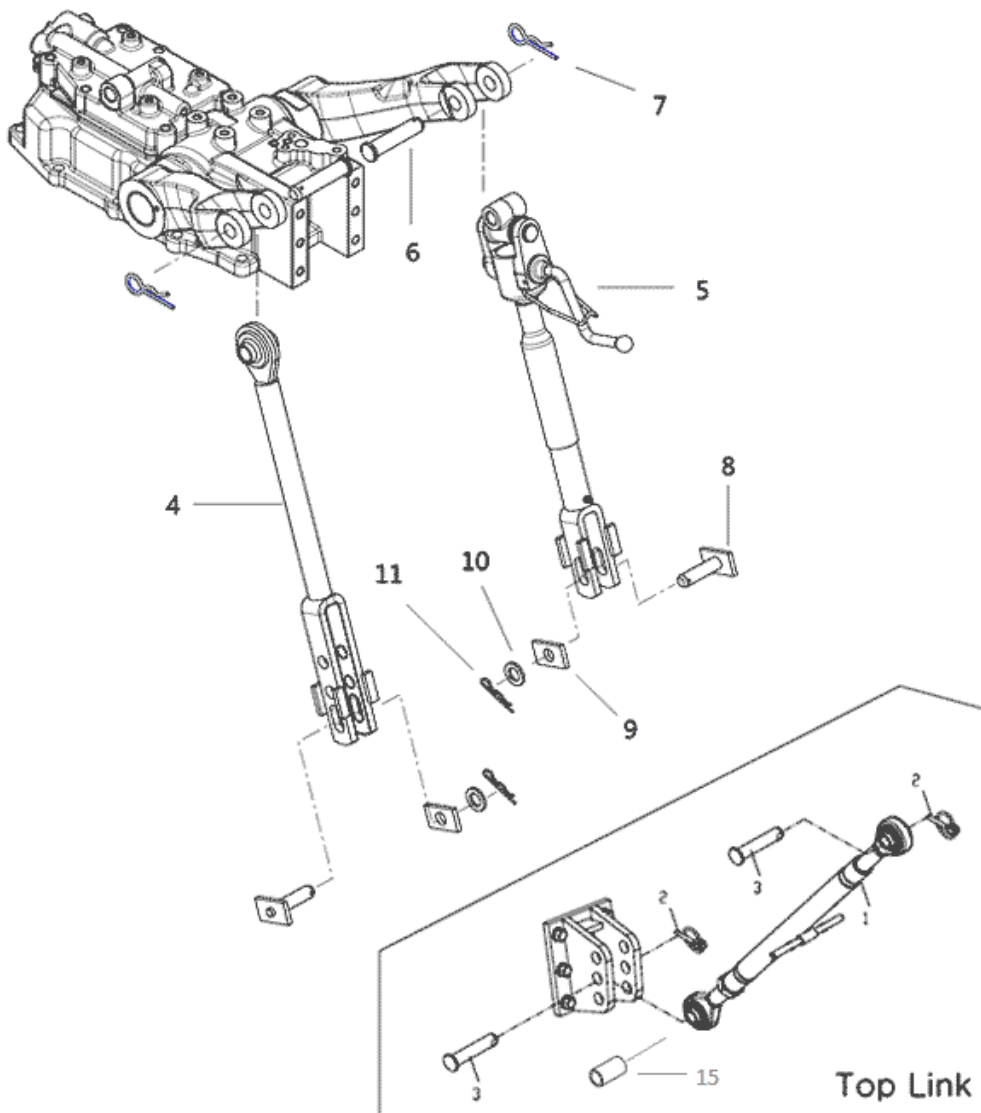
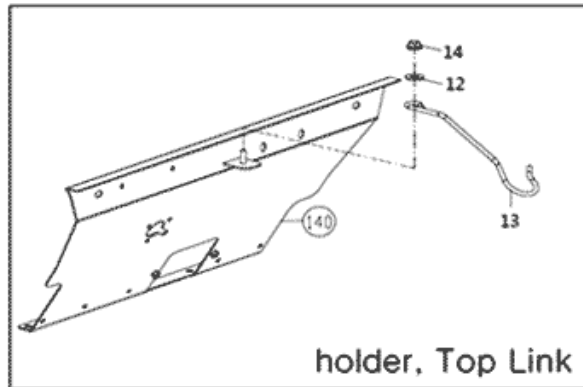
FIG

Branson 6225H(EU)
_IND_NEC(AC01649)

TOP LINK, LIFT LINK

Year/Month

2021-01



FIG

LOWER LINK

Year/Month

Branson 6225H(EU)
_IND_NEC(AC01649)

2021-01

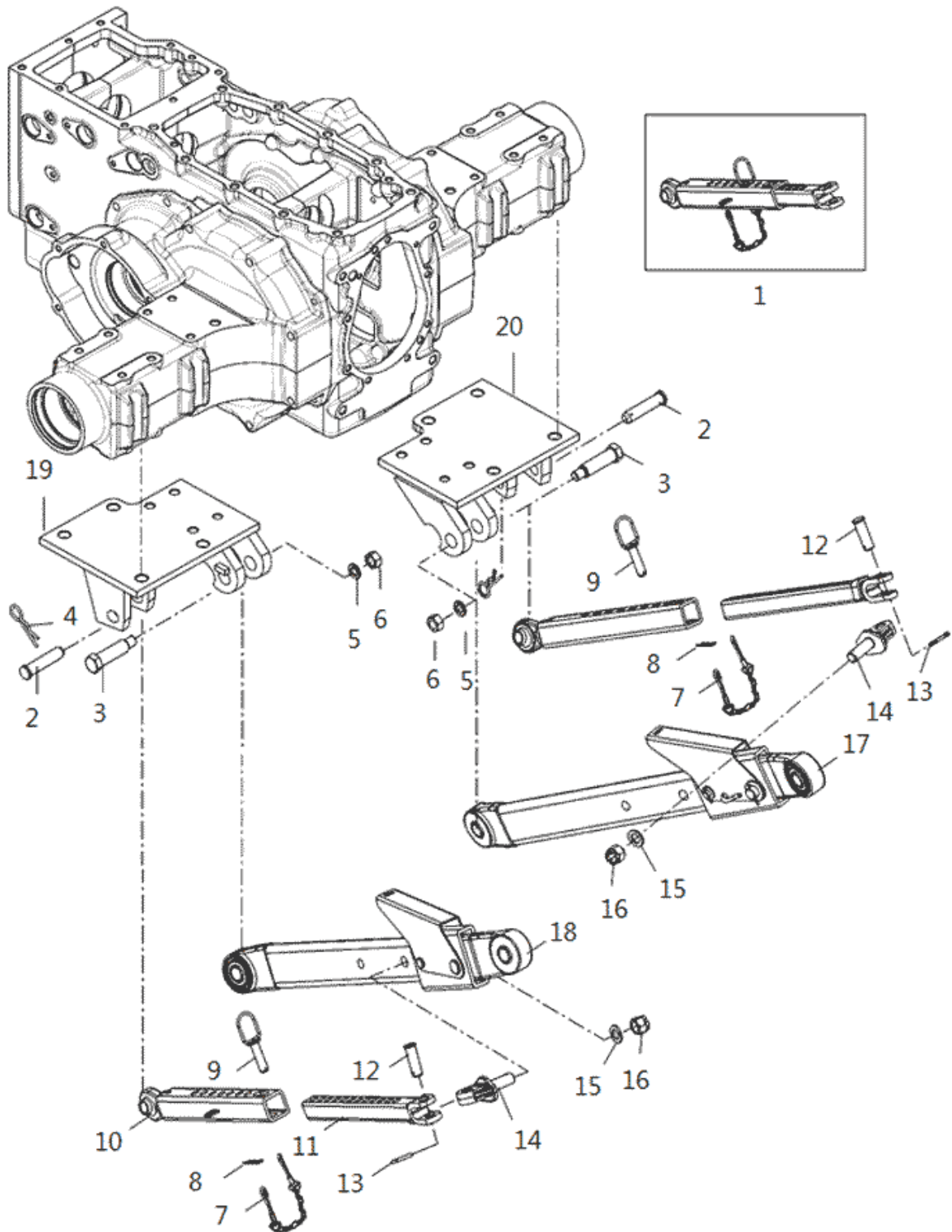


FIG		LOWER LINK			Year/Month
Branson 6225H(EU) _IND_NEC(AC01649)					2021-01
KeyNo.	Part Number	Description	Quantity	Other	
1	TA00041947A	CHECK-BAR	2		
1	TA00041947B	CHECK-BAR	2		
1	TA00041947C	CHECK-BAR(K3)	2		
1	TA00041947D	CHECK-BAR	2		
2	FTF0100000A4	FIXING PIN, CHECK CHAIN	2		
2	FTF0100000B4	FIXING PIN, CHECK CHAIN	2		
3	TB44360000A4	BOLT	2		
3	TB44360000B4	BOLT	2		
4	NTE70100INA4	SNAP PIN	2		
4	NTE70100INB4	SNAP PIN	2		
5	22217-160000	WASHER, SPRING (Φ 16)	2		
6	26736-160002	HEXNUT	2		
7	FBF0060000A4	CONNECT LINK	2		
7	FBF0060000B4	HOOK	2		
8	22360-140000	PIN , SNAP (4Φ)	2		
9	FBF0050000B4	CONNECT PIN	2		
9	FBF0050000B4	CONNECT PIN	2		
9	FBF0050000C4	PIN	2		
10	TA00041948B	CHECKBAR F	2		
10	TA00041948B	CHECKBAR F	2		
10	TA00041948C	CHECKBAR F	2		
11	TA00041949A	CHECKBAR R	2		
12	FTF0090000A4	PIN, CHECK CHAIN	2		
12	FTF0090000B4	PIN, CHECK CHAIN	2		
12	FTF0090000C4	PIN, CHECK CHAIN	2		
13	22417-400360	PIN , COTTER (4-36)	2		
14	TA00016119B	BOLT	2		
14	TA00016119B	BOLT	2		
14	TA00016119C	BOLT	2		
15	22217-180000	WASHER, SPRING (Φ 18)	2		
16	26736-180002	NUT	2		
17	TA00035077A	LOWER LINK ASS'Y(R)	1		
17	TA00035077B	LOWER LINK ASS'Y(R)	1		
17	TA00035077C	LOWER LINK ASS'Y(R)	1		
17	TA00035077D	LOWER LINK ASS'Y(R)	1		
18	TA00035076A	LOWER LINK ASS'Y(L)	1		
18	TA00035076B	LOWER LINK ASS'Y(L)	1		
18	TA00035076C	LOWER LINK ASS'Y(L)	1		
18	TA00035076D	LOWER LINK ASS'Y(L)	1		
19	TA00048142C	BRACKET ASSY, LOWER LINK(L)	1		
19	TA00048142B	BRACKET ASSY, LOWER LINK(L)	1		
19	TA00048142C	BRACKET ASSY, LOWER LINK(L)	1		
20	TA00048143C	BRACKET ASSY, LOWER LINK(R)	1		
20	TA00048143B	BRACKET ASSY, LOWER LINK(R)	1		
20	TA00048143C	BRACKET ASSY, LOWER LINK(R)	1		

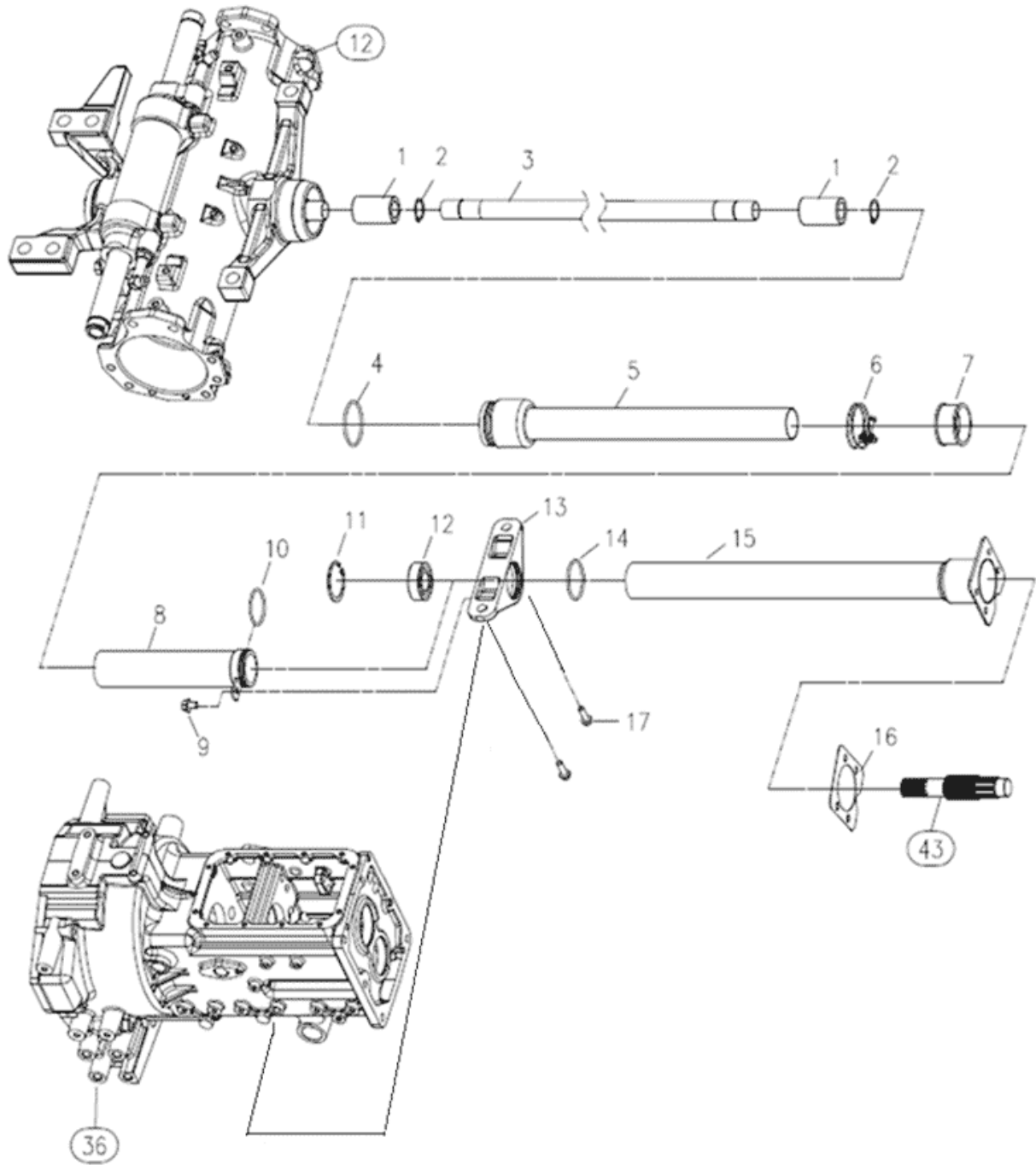
FIG

Branson 6225H(EU)
_IND_NEC(AC01649)

PROPELLER SHAFT

Year/Month

2021-01



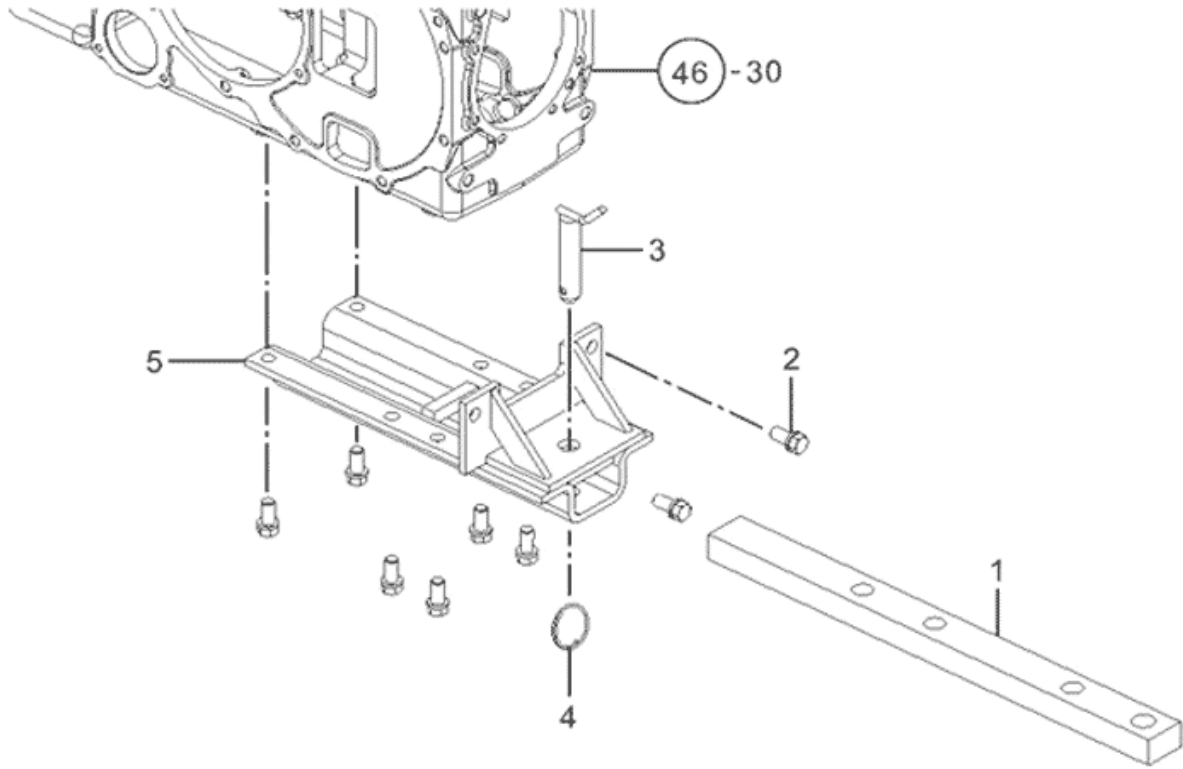
FIG

Branson 6225H(EU)
_IND_NEC(AC01649)

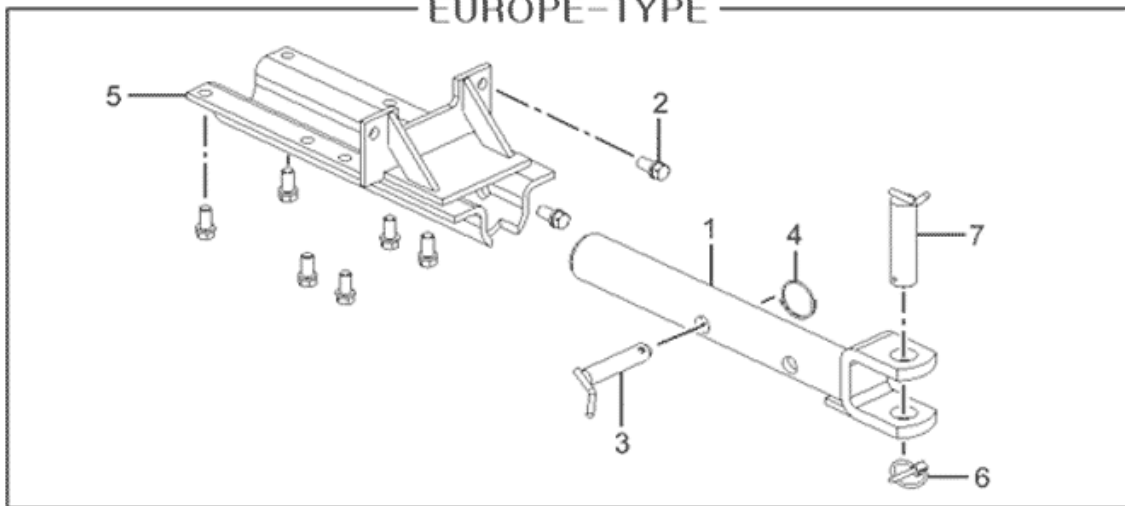
DRAWBAR HITCH

Year/Month

2021-01



EUROPE-TYPE



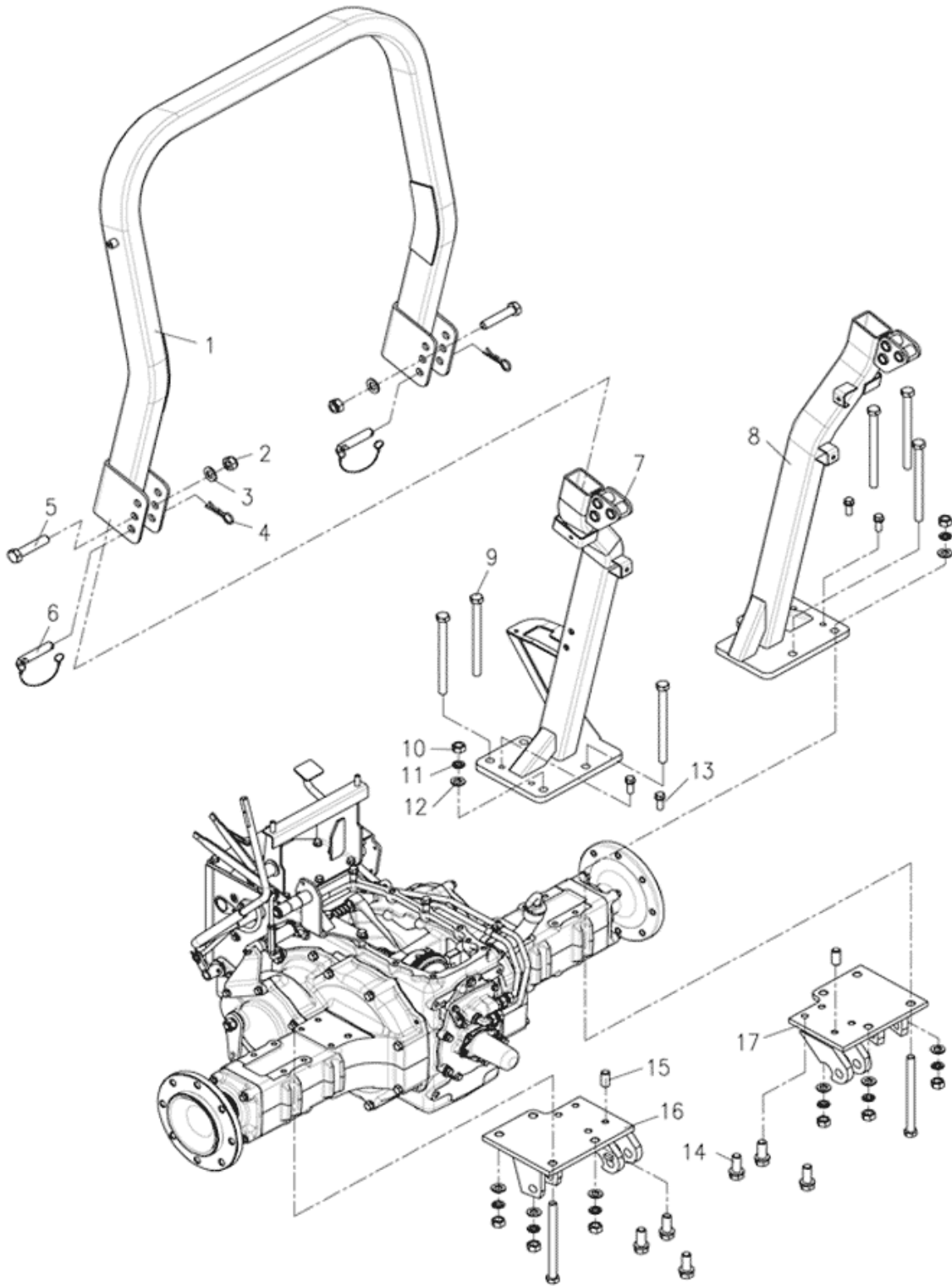
FIG

Branson 6225H(EU)
_IND_NEC(AC01649)

SAFETY FRAME ASS'Y

Year/Month

2021-01



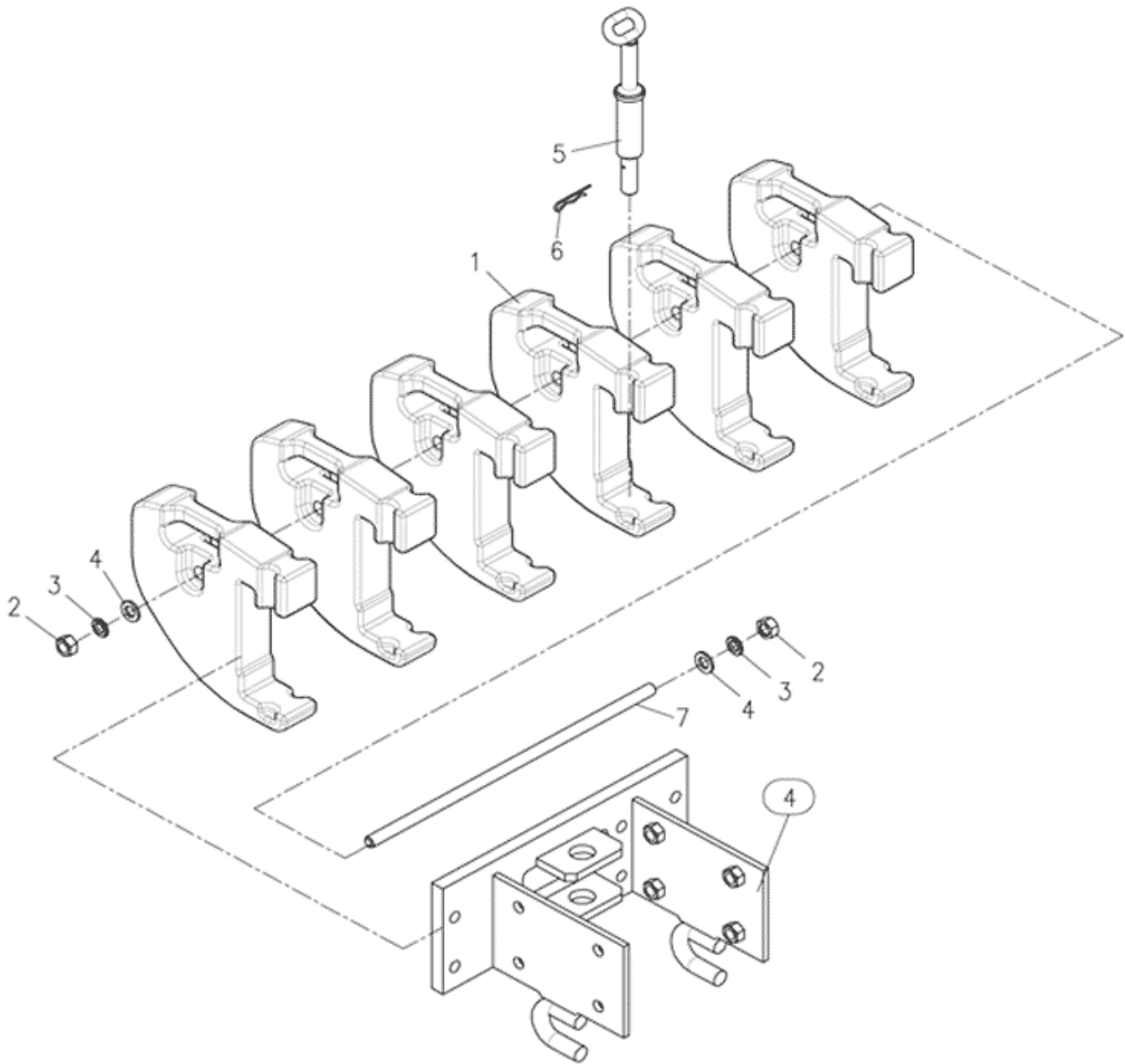
FIG

Branson 6225H(EU)
_IND_NEC(AC01649)

FRONT WEIGHT

Year/Month

2021-01



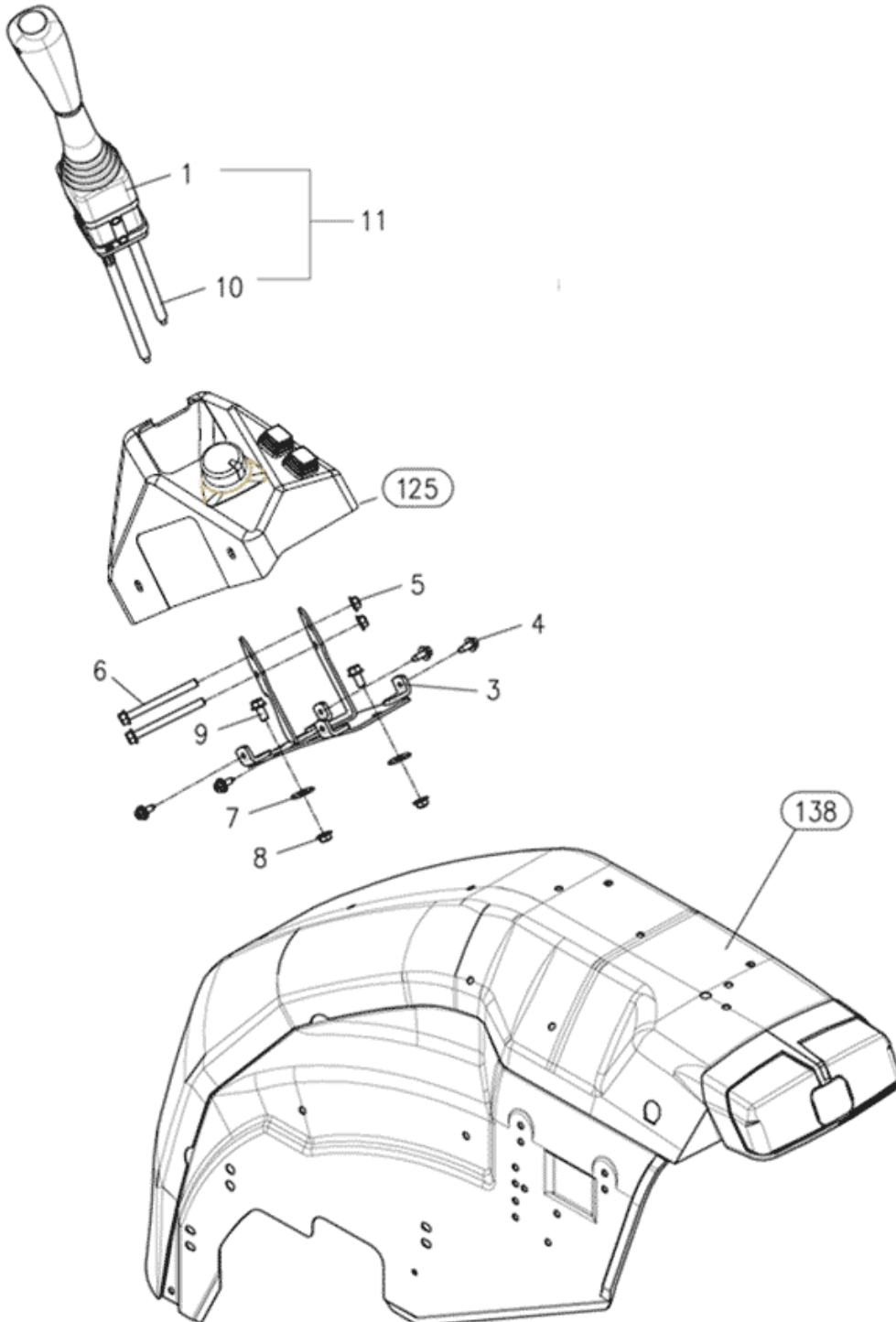
FIG

Branson 6225H(EU)
_IND_NEC(AC01649)

JOYSTICK ASS'Y

Year/Month

2021-01



FIG

Branson 6225H(EU)
_IND_NEC(AC01649)

4PORT ASS'Y

Year/Month

2021-01

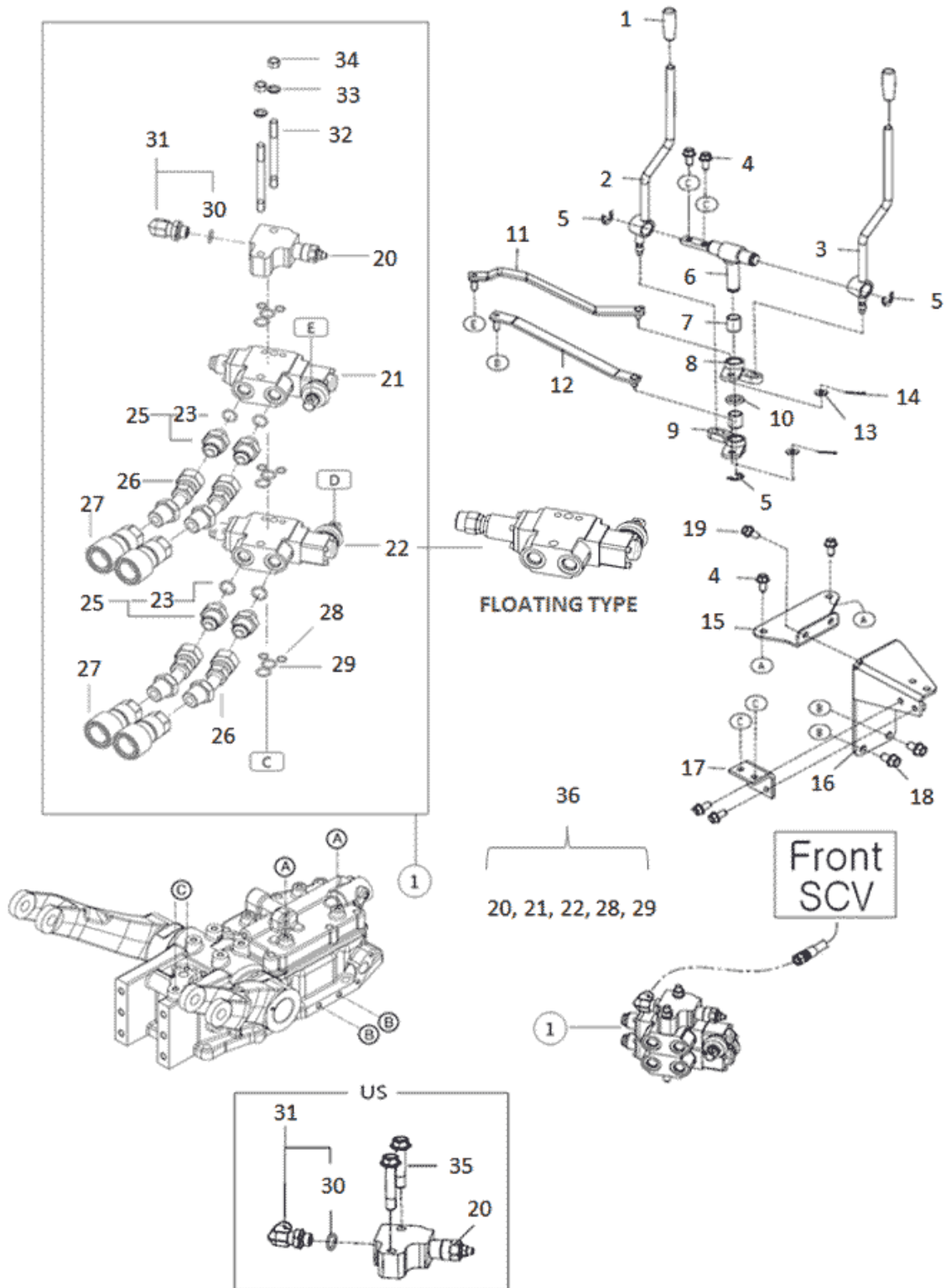


FIG		4PORT ASS'Y			Year/Month
Branson 6225H(EU) _IND_NEC(AC01649)					2021-01
KeyNo.	Part Number	Description	Quantity	Other	
1	VD05460000A4	LEVER(BLACK)	2		
2	TA00034047A	LEVER A ASS'Y	1		
2	TA00034047B	LEVER A ASS'Y	1		
2	TA00034047C	LEVER A ASS'Y	1		
3	TA00034049A	LEVER B ASS'Y	1		
3	TA00034049B	LEVER B ASS'Y	1		
3	TA00034049C	LEVER B ASS'Y	1		
4	26106-080162	SCREW,HEXFLANGEHEADCAP	6		
5	22272-000120	RING, CIRCLIP (Φ 12)	3		
6	TA00034042A	SHAFT ASS'Y	1		
6	TA00034042B	SHAFT ASS'Y	1		
6	TA00034042C	SHAFT ASS'Y	1		
6	TA00034042D	SHAFT ASS'Y	1		
7	24550-016200	DRY BUSH 16X20	4		
8	TA00036430A	BOSS B ASS'Y PTO 3SD	1		
8	TA00036430B	BOSS B ASS'Y PTO 3SD	1		
9	TA00036429A	BOSS B ASS'Y PTO 3SD	1		
9	TA00036429B	BOSS B ASS'Y PTO 3SD	1		
10	TA00034062A	PLATE	1		
11	TA00036297B	LINK ASSY 2	1		
11	TA00036297B	LINK ASSY 2	1		
11	TA00036297C	LINK ASSY 2	1		
12	TA00034019A	LINK 1 ASS'Y	1		
12	TA00034019B	LINK 1 ASS'Y	1		
13	22137-080000	WASHER, PLAIN (Φ 08)	4		
14	22417-200200	PIN , COTTER (2-20)	4		
15	TA00036443B	BRACKET	1		
15	TA00036443C	BRACKET	1		
16	TA00036941A	HOLDING BRACKET, SCV LEVER	1		
16	TA00036941B	HOLDING BRACKET, SCV LEVER	1		
17	TA00036949A	BRACKET	1		
17	TA00036949B	BRACKET	1		
18	26106-100162	SCREW,HEXFLANGEHEADCAP	2		
19	26106-080182	SCREW,HEXFLANGEHEADCAP	4		
20	TA00033977B	COVER RELIEF	1		
20	TA00033977B	COVER RELIEF	1		
21	TA00037393A	SCV2(D)	1		
22	TA00028226A	REAR SCV 1	1		
22	TA00028226B	SCV	1		
22.10	TA00048561A	SCV(FLOATING)	1		
22.10	TA00048561B	SCV(FLOATING)	1		
23	24311-000160	O-RING, DYNAMIC (Φ16)	4		
25	TA00042245B	ADAPTER	4		
25	TA00042245B	ADAPTER	4		
25	TA00042245C	ADAPTER	4		

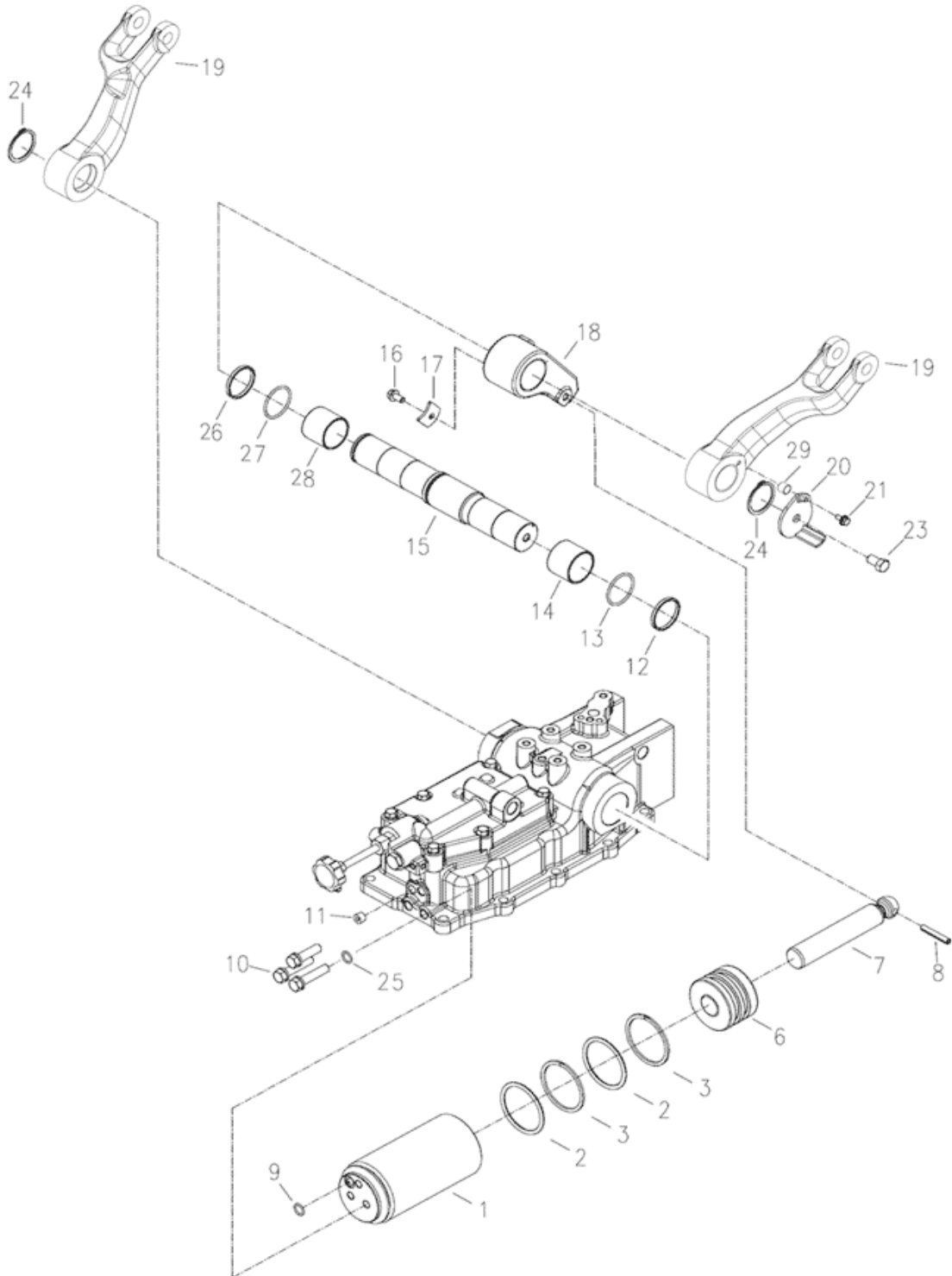
FIG

Branson 6225H(EU)
_IND_NEC(AC01649)

PISTON ASS'Y

Year/Month

2021-01



FIG

Branson 6225H(EU)
_IND_NEC(AC01649)

GEAR CASE, FRONT AXLE

Year/Month

2021-01

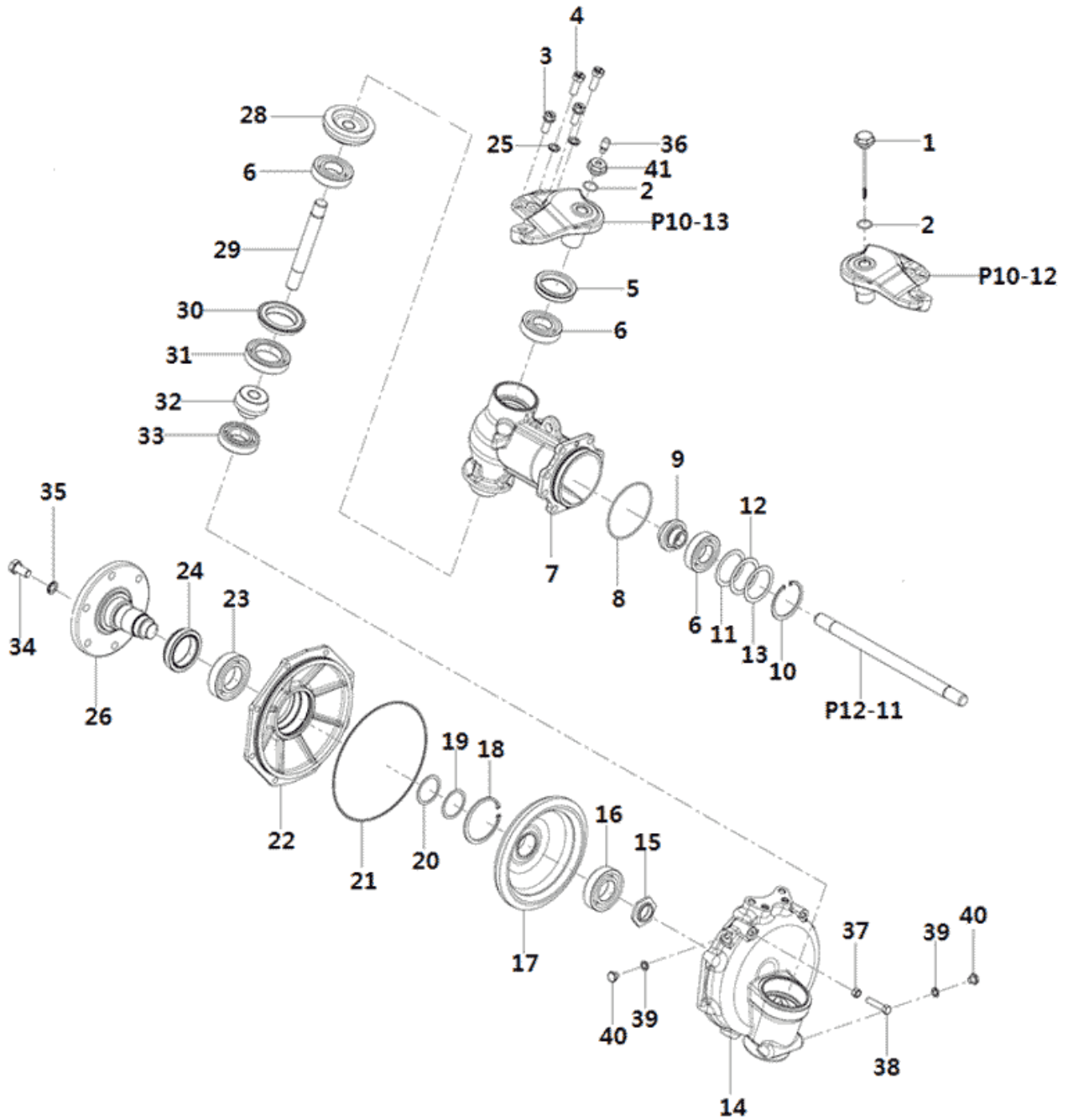


FIG		GEAR CASE, FRONT AXLE			Year/Month
Branson 6225H(EU) _IND_NEC(AC01649)					2021-01
KeyNo.	Part Number	Description	Quantity	Other	
1	TA00033805A	OIL GUAGE	1		
1.10	TA00041646A	DIP STICK	1		
2	24311-000220	O-RING, DYNAMIC (Φ22)	2		
3	TA00033468B	BOLT W/ WASHER	4		
3	TA00033468B	BOLT W/ WASHER	4		
3	TA00033468C	BOLT W/ WASHER	4		
4	TA00033475A	RIMER BOLT	4		
4	TA00033475B	SPACER	4		
5	FE78010000B	OIL SEAL (55X72X13.5)	2		
5	FE78010000B	OIL SEAL (55X72X13.5)	2		
6	24101-062074	BALL BEARING (#6207)	6		
7	TA00048728A	CASE, FRONT GEAR	2		
7.10	TA00041533B	FRONT GEAR CASE L	2		
8	24321-001050	O-RING	2		
9	TA00033461A	PINION, FRONT 1ST SHAFT	2		
10	22252-000720	RING, CIRCLIP (Φ 72)	2		
11	TA00033489A	SHIM 0.2T	2		
12	TA00033488A	SHIM 0.3T	2		
13	TA00033487A	SHIM 0.5T	2		
14	TA00033458B	GEAR BOX, FRONT	2		
14	TA00033458B	GEAR BOX, FRONT	2		
15	TA00033481A	LOCK NUT	2		
16	24101-062084	Bearing, Ball (#6208)	2		
17	TA00033474A	GEAR, BEVEL 49T	2		
18	22252-000850	RING, CIRCLIP (Φ 85)	2		
19	TA00033486A	SHIM 0.2T	1		
20	TA00033485A	SHIM 0.5T	1		
21	TA00033939A	O RING	2		
22	TA00033459B	BEARING CASE, FRONT	1		
22	TA00033459B	BEARING CASE, FRONT	1		
23	24101-062094	BALL BEARING (#6209)	2		
24	TA00041359A	OILSEAL	2		
25	22217-120000	WASHER, SPRING (Φ 12)	2		
26	TA00033460A	SPINDLE, FRONT	2		
26	TA00033460B	SPINDLE, FRONT	2		
27	TA00033469A	BOLT W/ WASHER	16		
27	TA00033469B	BOLT W/ WASHER	16		
28	TA00033463A	FRONT 2ND AXLE LH	2		
29	TA00033464A	FRONT 2ND SHAFT	2		
30	TC60110000A3	SEAL	2		
31	24101-060104	Bearing, Ball (#6010)	2		
32	TA00033473A	GEAR, BEVEL 11T	2		
33	TC60340000A4	BEARING(TM207C3)	2		
34	TD23120000A4	BOLT	12		
34	TD23120000B4	BOLT	12		

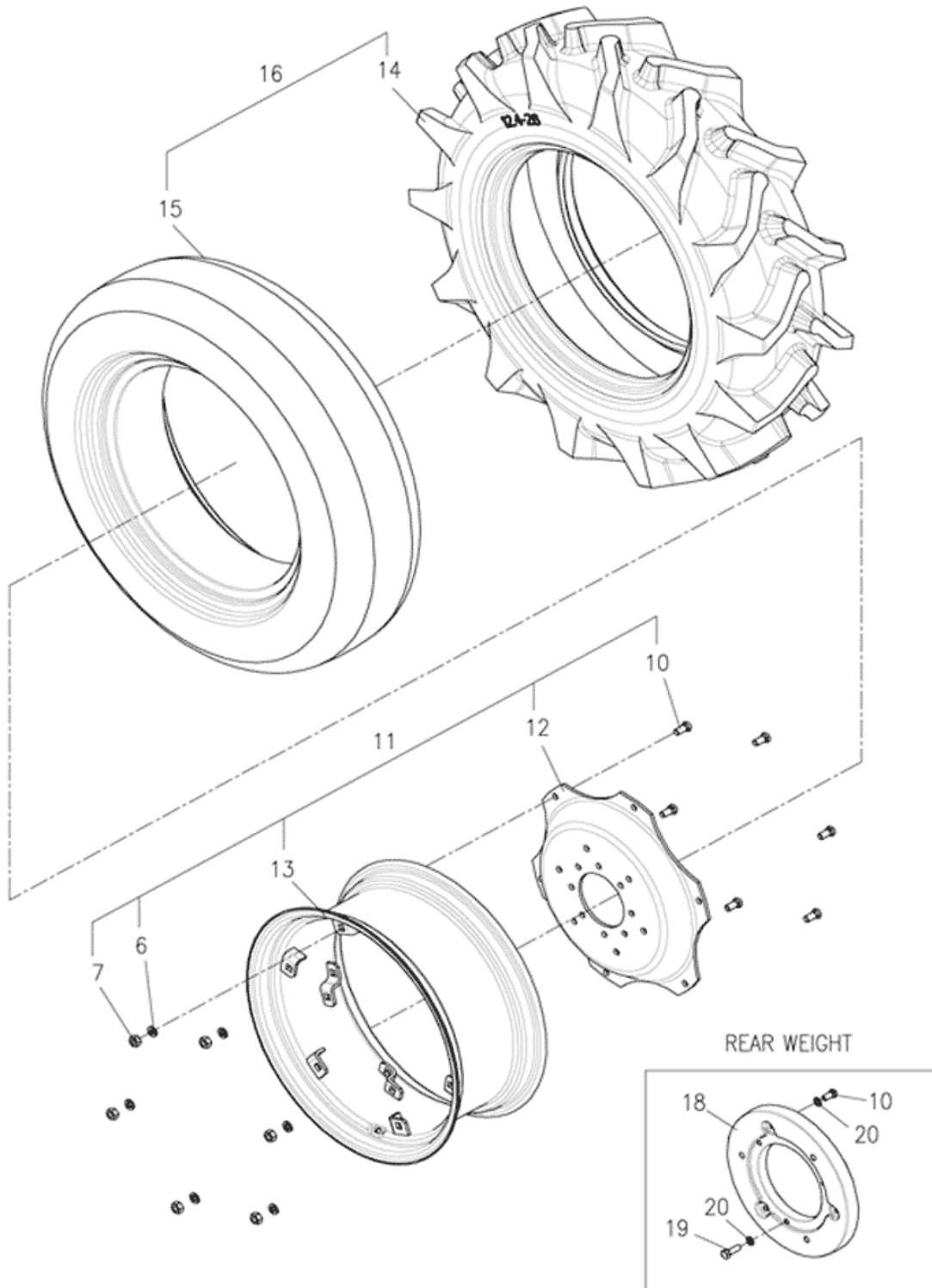
FIG

Branson 6225H(EU)
_IND_NEC(AC01649)

TIRE, REAR

Year/Month

2021-01



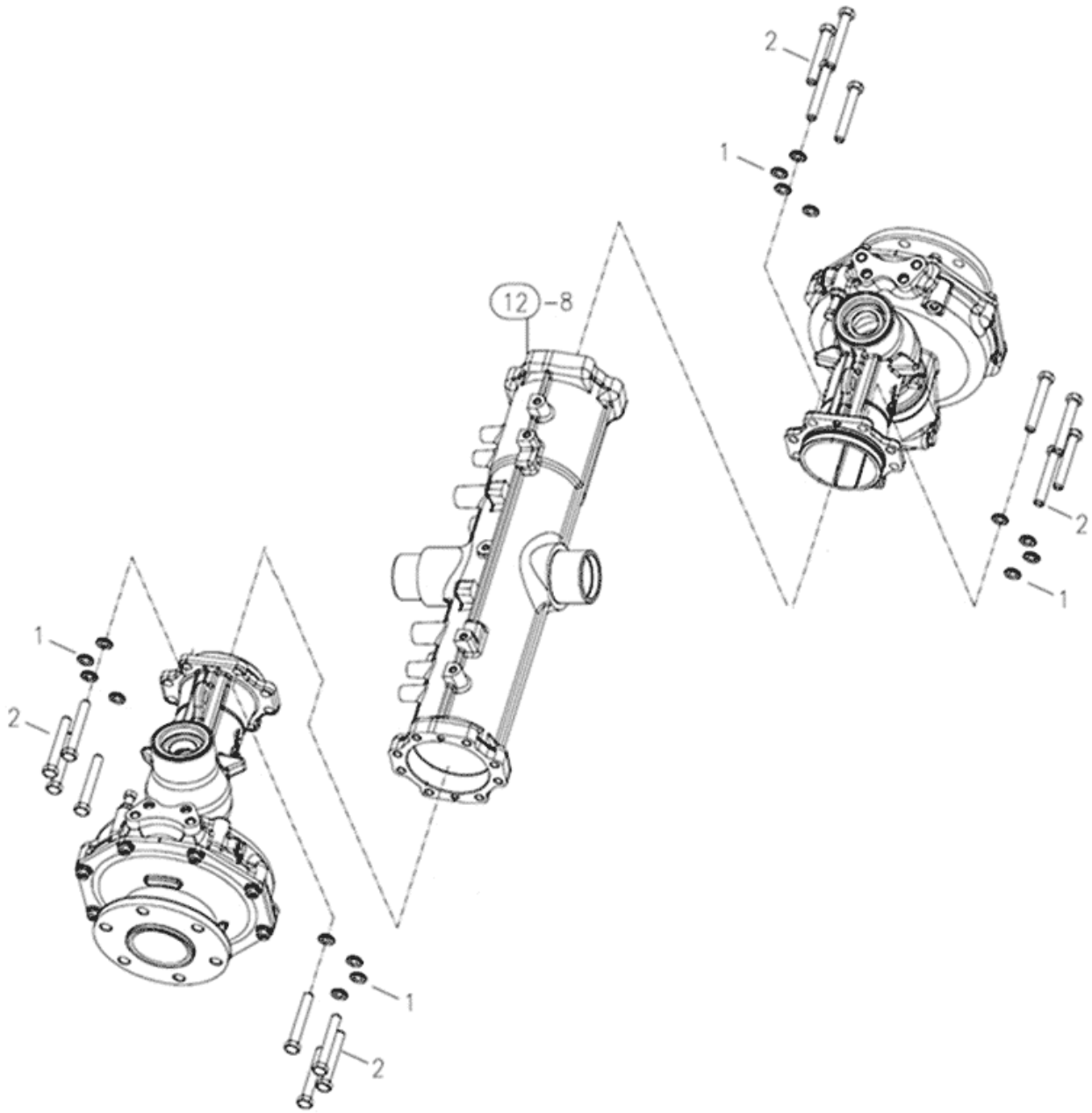
FIG

Branson 6225H(EU)
_IND_NEC(AC01649)

SPACER

Year/Month

2021-01



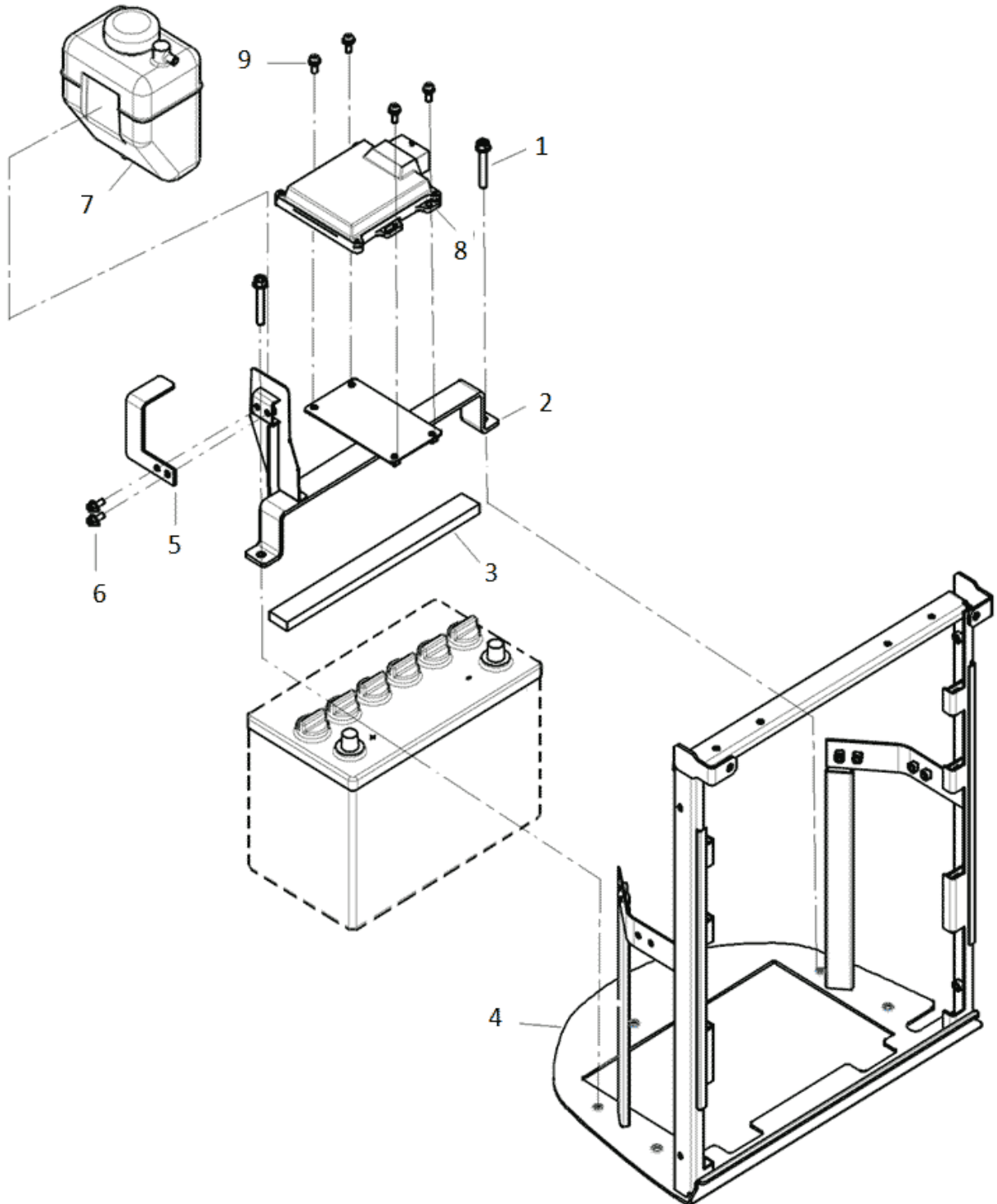
FIG

Branson 6225H(EU)
_IND_NEC(AC01649)

BATTERY

Year/Month

2021-01



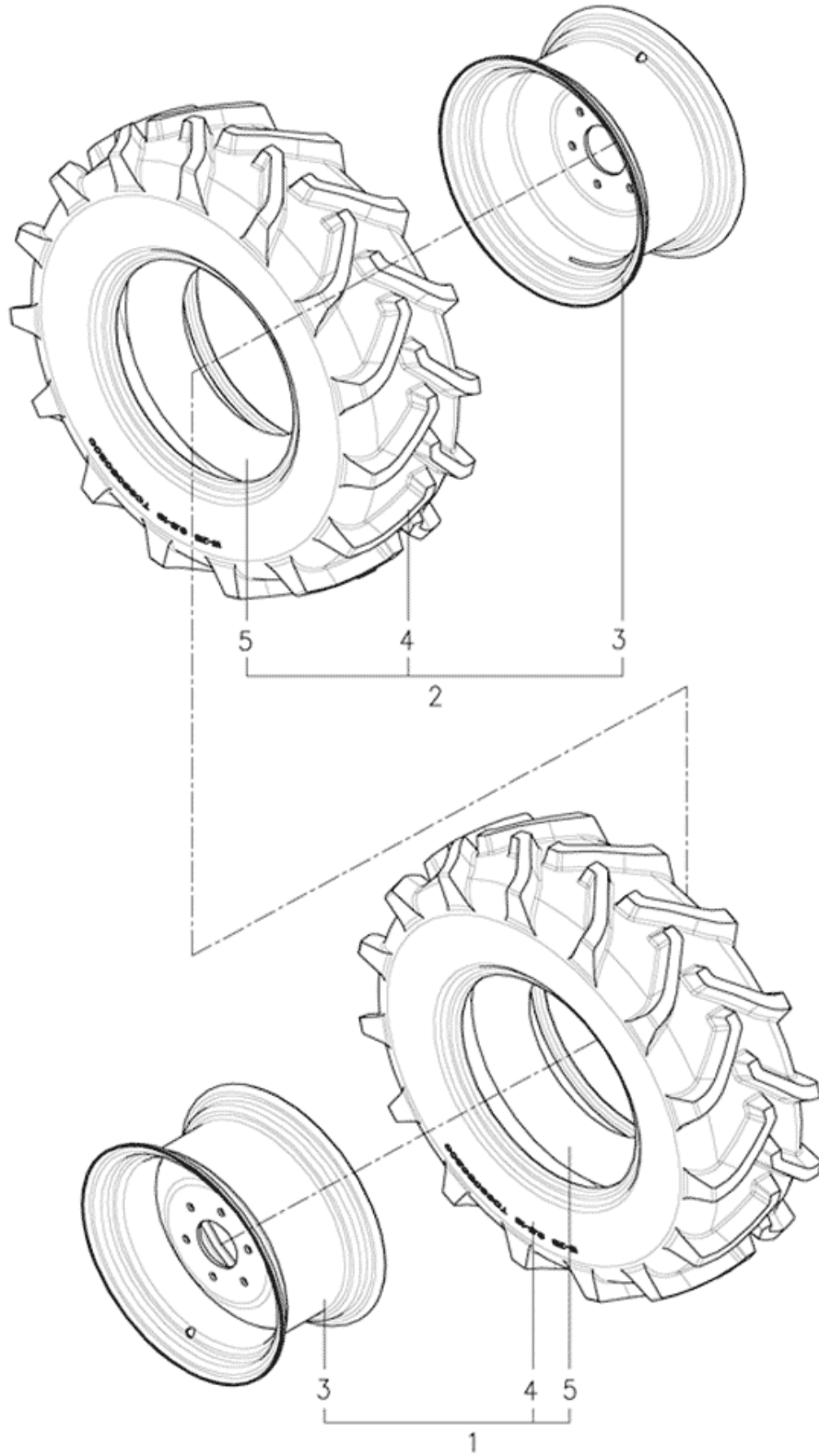
FIG

Branson 6225H(EU)
_IND_NEC(AC01649)

FORNT WHEEL & TIRE

Year/Month

2021-01



FIG

ENGINE SUB

Year/Month

Branson 6225H(EU)
_IND_NEC(AC01649)

2021-01

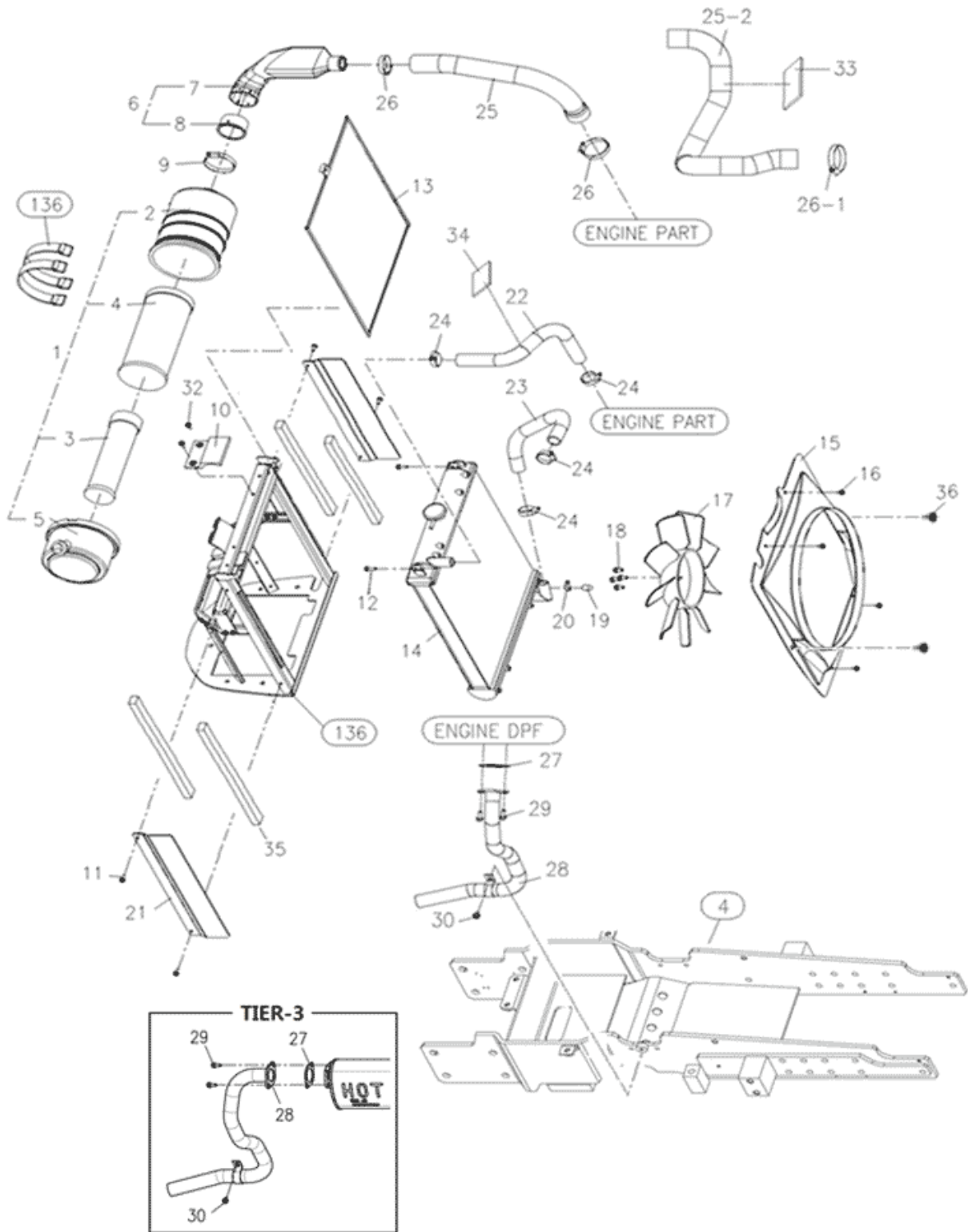


FIG		ENGINE SUB			Year/Month
Branson 6225H(EU) _IND_NEC(AC01649)					2021-01
KeyNo.	Part Number	Description	Quantity	Other	
1	HLT0621000A2	AIRCLEANER A'SSY	1		
2	HLT0621010A9	BODY, AIRCLEANER	1		
3	HLT0621020A9	ELEMENT, AIR CLEANER (OUTER)	1		
4	HLT0621030A9	ELEMENT, AIR CLEANER (INNER)	1		
5	HLT0621040A9	COVER	1		
6	TA00025594A	INTAKE PIPE ASSY	1		
7	TA00034859A	INTAKE PIPE ASS'Y	1		
8	TA00021622A	SEAL	1		
9	23000-080000	HOSECLAMP80	1		
10	TA00025591A	CUSHION RUBBER	1		
11	26106-060162	HEXFLANGEBOLT	4		
12	26014-060252	Bolt, Hexa (6-25)	2		
13	TA00024833B	NET	1		
13	TA00024833B	NET	1		
14	EA00001873A	RADIATOR	1		
15	TA00032760E	SHROUD	1		
15	TA00032760C	SHROUD	1		
15	TA00032760D	SHROUD	1		
15	TA00032760E	SHROUD	1		
15	TA00032760F	SHROUD	1		
16	HRA1203200A4	TAPPINGSCREW	4		
17	TA00034662A	COOLING FAN (D400)	1		
18	26106-080162	SCREW,HEXFLANGEHEADCAP	4		
19	HRC1201200A4	CAP,COOLER	1		
20	23000-016000	Clip, Hose (Φ16)	1		
21	TA00049446A	BRACKET ASS'Y, RADIATOR	2		
22	TA00036682A	HOSE A, COOLING	1		
23	TA00025609C	HOSE IN COOLING	1		
23	TA00025609B	HOSE IN COOLING	1		
23	TA00025609C	HOSE IN COOLING	1		
24	23010-038000	HOSEBAND	4		
25	TA00034848A	INTAKE HOSE	1		
26	23000-054000	HOSECLAMP54	1		
27	HK0514000EA4	GASKET	1		
28	TA00034860D	EXHAUST PIPE ASS'Y	1		
28	TA00034860B	EXHAUST PIPE ASS'Y	1		
28	TA00034860C	EXHAUST PIPE ASS'Y	1		
28	TA00034860D	EXHAUST PIPE ASS'Y	1		
29	26106-080202	SQR FLANGE BOLT	2		
30	26106-080122	Bolt, Hexa (8-12)	1		
31	TA00026821A	COVER	1		
32	26015-060162	BOLT	2		
33	TA00036162C	INSULATOR	2		
33	TA00036162B	INSULATOR	2		
33	TA00036162C	INSULATOR	2		

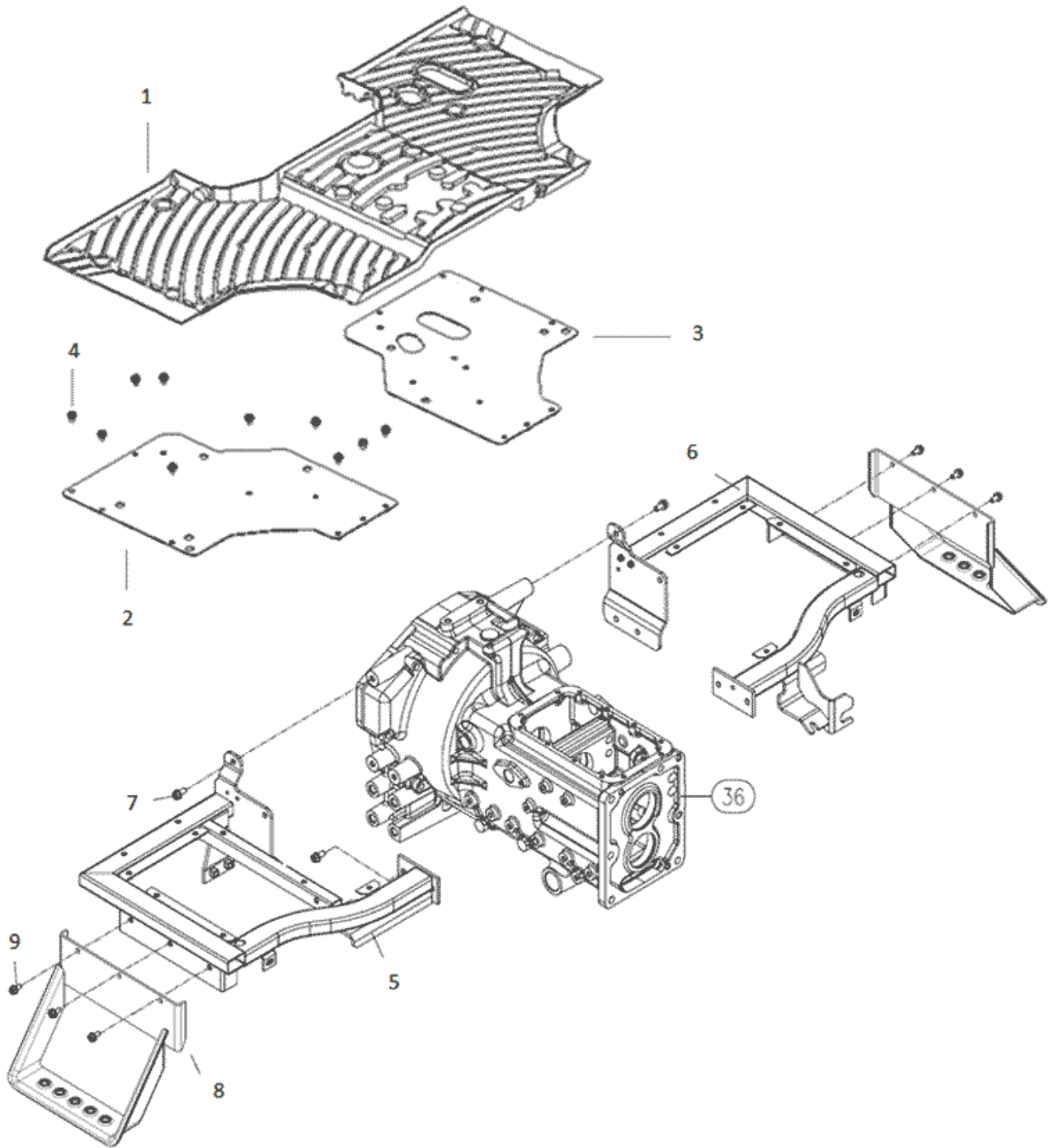
FIG

Branson 6225H(EU)
_IND_NEC(AC01649)

FOOT REST ASS'Y

Year/Month

2021-01



FIG

Branson 6225H(EU)
_IND_NEC(AC01649)

FLY WHEEL HOUSING

Year/Month

2021-01

