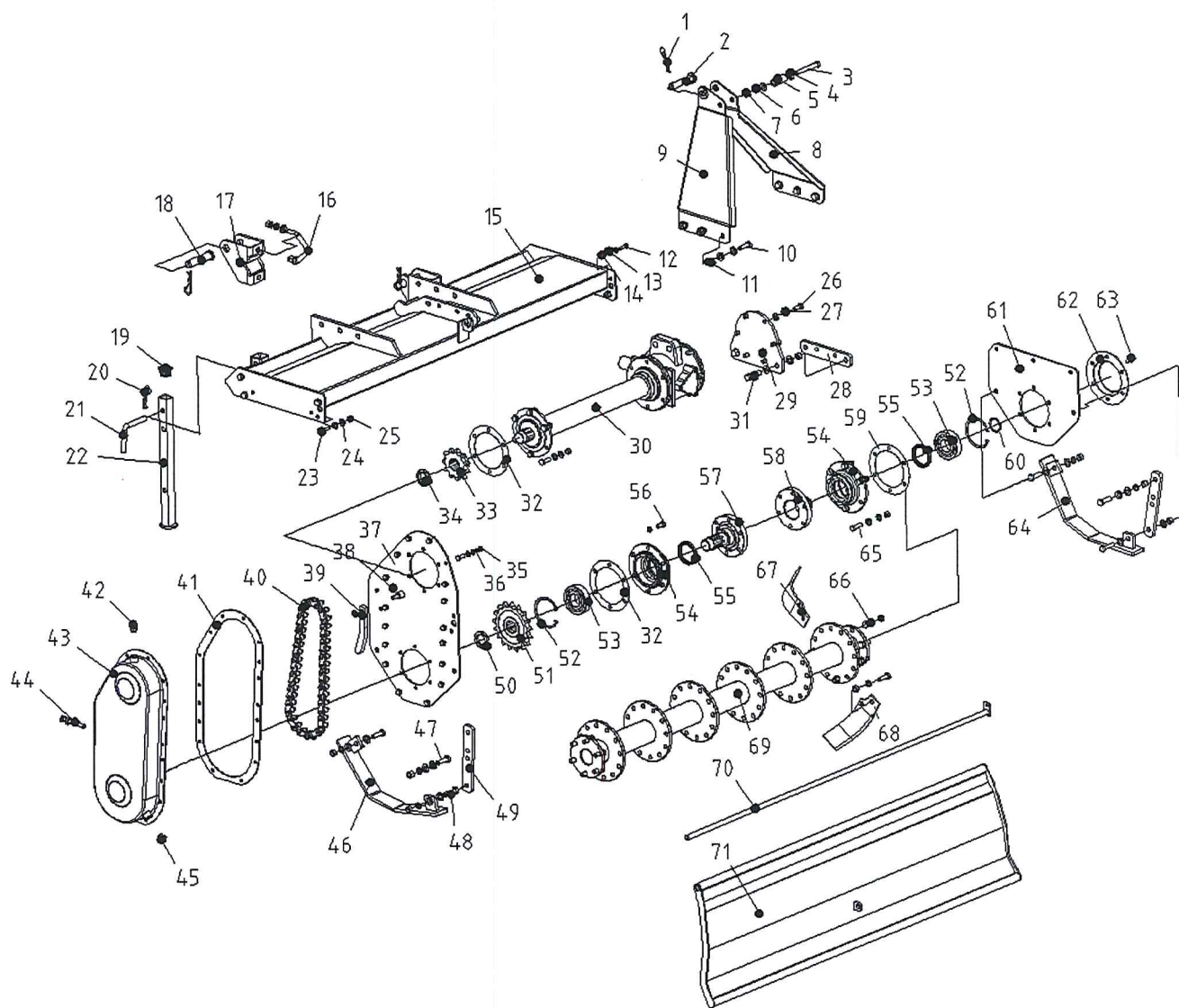




10. ONDERDELENLIJST





Onderdeel	Nummer	Materiaal Code	Omschrijving	Stuks	Opmerking
1	∅4	11011700015	R pin	4	General
2	S.ZL130.107	11000100191	Hitch pin-upper	1	General
3	GB/T 5782-2000	14010000042	Bolt M12*90	1	General
4	GB/T 95-2002	14040000004	Plain washer 12*2.5	31	General
5	S.ZL130.110	11000100193	Hitch sleeve	1	General
6	GB/T 93-1987	14020000008	Spring washer 12	69	General
7	GB/T 41-2000	14050000004	Nut M12	10	General
8	S.ZL130.011	11000200547	Upper hitch weldment-L	1	General
9	S.ZL130.012	11000200548	Upper hitch weldment-R	1	General
10	GB/T 5783-2000	14010100069	Bolt M12*35	6	General
11	GB/T 889.1-2000	14050100006	Locknut M12	56	General
12	GB/T 5783-2000	14010100019	Bolt M8*25	16	General
13	GB/T 95-2002	14040000002	Plain washer 8*1.6	36	General
14	GB/T 889.1-2000	14050100002	Locknut M8	1	General
15	S.ZL130.010	11000200546	Hood panel weldment	1	S.ZL130
	S.ZL100.010	11000200534			S.ZL100
	S.ZL110.010	11000200538			S.ZL110
	S.ZL120.010	11000200542			S.ZL120
	S.ZL140.010	11000200558			S.ZL140
	S.ZL150.010	11000200562			S.ZL150
16	S.ZL130.108	11000100192	V type bolt	2	General
17	S.ZL130.018	11000200554	Lower hitch weldment	2	General
18	S.ZL130.106	11000100190	Hitch pin-lower	2	General
19	EF175.121	11011800012	Square pipe plug24*24	1	General
20	Same with item 1				
21	EF175.116	11000100030	Raker pin	1	General
22	S.ZL130.021	11000200557	Raker weldment	1	General
23	GB/T 5783-2000	14010100040	Bolt M10*30	13	General
24	GB/T 95-2002	14040000003	Plain washer 10×2	45	General
25	GB/T 889.1-2000	14050100003	Locknut M10	19	General
26	GB/T 5783-2000	14010100039	Bolt M10*25	4	General
27	GB/T 93-1987	14020000007	Spring washer 10	12	General
28	S.ZL130.116	11000000135	Adjusting plate for gearbox	1	General
29	S.ZL130.115	11000000134	Supporting plate	1	General



Ond erde el	Nummer	Materiaal Code	Omschrijving	Stuks	Opmerking
30	S.CS-40HP (L600)	11010000027	Gearbox	1	General
31	GB/T 5783-2000	14010100073	Bolt M12*50	2	General
32	S.ZL130.118	11011200088	Paper washer for bearing seat	3	General
33	S.ZL130.111	11010100075	Small sprocket wheel	1	General
34	GB/T 812-1988	14001000012	Round nut M35*1.5	1	General
35	GB/T 889.1-2000	14050100002	Locknut M8	1	General
36	GB/T 93-1987	14020000006	Spring washer 8	17	General
37	S.ZL130.020	11000200556	Side palte weldment-R	1	General
38	GB/T 91-2000	14000100163	Cotter pin 4*25	1	General
39	S.ZL130.117	11000100194	Tensioning plate	1	General
40	GB/T 1243.1-97	14000600002	Chain 16A-1*40	1	General
41	S.ZL130-113	11011200065	Cork gasket	1	General
42	JBZQ 4770-2006	14000500004	Hex. Screw plug M16*1.5	1	General
43	S.ZL130.017	11000200553	Sprocket wheel cover	1	General
44	GB/T 5783-2000	14010100071	Bolt M12*40	4	General
45	GB/T 5783-2000	14010100072	Bolt M12*45	2	General
46	S.ZL130.017	11000200553	Skate weldment-R	1	General
47	GB/T 5783-2000	14010100071	Bolt M12*40	4	General
48	GB/T 5783-2000	14010100072	Bolt M12*45	2	General
49	S.ZL130.109	11000000132	Adjusting plate for support	2	General
50	GB/T 812-1988	14001000013	Round nut M36*1.5	1	General
51	S.ZL130.112	11010100076	Big sprocket wheel	1	General
52	GB/T 893.1-86	14000400053	Circlip 90	2	General
53	GB/T 276-94	11011500037	Deep groove ball bearing 6308	2	General
54	S.ZL130.102	11012700047	Bearing seat	2	General
55	TC55*72*8	11011200045	Oil seal	2	General
56	GB/T 5783-2000	14010100038	Bolt M10*20	6	General
57	S.ZL130.104	11012700048	Spindle head-R	1	General
58	S.ZL130.101	11012700046	Spindle head-L	1	General
59	S.ZL130.119	11011200092	Paper washer 2	1	General
60	GB/T 894.2-86	14000300028	circlip 40	1	General
61	S.ZL130.100	11000000131	Side plate-L	1	General
62	S.ZL130.103	11012700082	End cover-L	1	General



Onderdeel	Nummer	Materiaal Code	Omschrijving	Stuks	Opmerking
63	JB/T 7940.1-1995	14000200001	Pressure lubricator M8*1.0	1	General
64	S.ZL130.016	11000200552	Skate weldment-L	1	General
65	GB/T 5783-2000	14010100041	Bolt M10*35	6	General
66	GB/T 5783-2000	14010100067	Bolt M12*30	12	General
67	TL135.122	11010200045	Blade-L	12	S.ZL130
				10	S.ZL100
					S.ZL110
				12	S.ZL120
				14	S.ZL140
S.ZL150					
68	TL135.123	11010200046	Blade-R	12	S.ZL130
				10	S.ZL100
					S.ZL110
				12	S.ZL120
				14	S.ZL140
S.ZL150					
69	S.ZL130.014	11000200550	Blade axle weldment	1	S.ZL130
	S.ZL100.014	11000200536			S.ZL100
	S.ZL110.014	11000200540			S.ZL110
	S.ZL120.014	11000200544			S.ZL120
	S.ZL140.014	11000200560			S.ZL140
	S.ZL150.014	11000200564			S.ZL150
70	S.ZL130.015	11000200551	Baffles axle weldment	1	S.ZL130
	S.ZL100.015	11000200537			S.ZL100
	S.ZL110.015	11000200541			S.ZL110
	S.ZL120.015	11000200545			S.ZL120
	S.ZL140.015	11000200561			S.ZL140
	S.ZL150.015	11000200565			S.ZL150
71	S.ZL130.013	11000200549	Baffles	1	S.ZL130
	S.ZL100.013	11000200535			S.ZL100
	S.ZL110.013	11000200539			S.ZL110
	S.ZL120.013	11000200543			S.ZL120
	S.ZL140.013	11000200559			S.ZL140
	S.ZL150.013	11000200563			S.ZL150



11. PRODUCT SPECIFICATIES

Model											
	mm	inc	mm	inc	mm	HP / Kw	mm	inc	n	n	kg
F. T/M100	1110	40	1000	39	500-500	15-35 / 11-25	90	3.5	5	20	135
F. T/M110	1210	48	1100	43	550-550	15-35 / 11-25	90	3.5	5	20	141
F. T/M120	1310	52	1200	28	600-600	15-35 / 11-25	90	3.5	6	24	157
F. T/M130	1410	56	1300	51	650-650	15-35 / 11-25	90	3.5	6	24	163
F. T/M140	1510	60	1400	55	700-700	15-35 / 11-25	90	3.5	7	28	171
F. T/M150	1610	63	1500	59	750-750	15-35 / 11-25	90	3.5	7	28	195

Note: All technical parameter are subject to change without notice.

12. SLIJTAGE ONDERDELEN LIJST

Onde rdeel	Nummer	Materiaal Code	Omschrijving	Stuks	Locatie
1	TL135.122	11010200045	Mes-L	10/10/12/12/ 14/14	Bevestigingsp laat
2	TL135.123	11010200046	Mes-R	10/10/12/12/ 14/14	Bevestigingsp laat
3	TC55*72*8	11011200045	Oliekeerring	2	Rondsel
4	GB/T 276-94	11011500037	Deep groove ball kogellager 6308	2	Rondsel