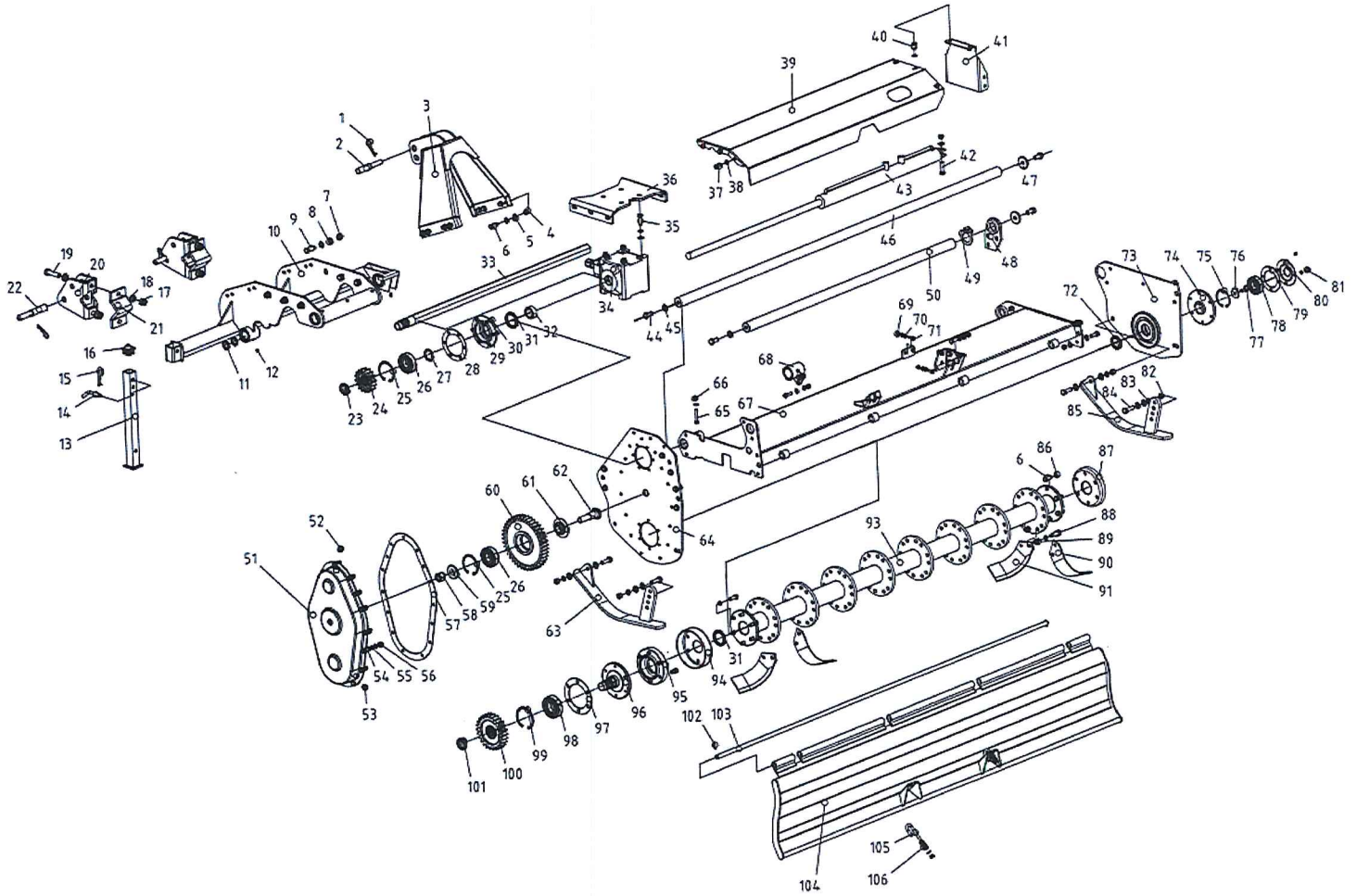




10. ONDERDELENLIJST





Onderdeel	Nummer	Materiaal code	Omschrijving	Stuks	Opmerking
1	∅ 4	11011700015	R Pin	4	General
2	S.FR210.126	11000100187	Hitch pin-upper	1	General
3	S.FR210.011	11000200520	Upper hitch weldment-L	1	General
4	GB/T 889.1-2000	14050100006	Locknut M12	23	General
5	GB/T 95-2002	14040000004	Plain washer 12×2.5	49	General
6	GB/T 5783-2000	14010100069	Bolt M12*35	34	General
7	GB/T 889.1-2000	14050100007	Locknut M14	16	General
8	GB/T 95-2002	14040000005	Plain washer 14×2.5	20	General
9	GB/T 5783-2000	14010100092	Bolt M14*45	8	General
10	S.FR210.013	11000200522	Gearbox mounting bracket weldment	1	General
11	THK 2.5, W= 6	11019900021	Wearing ring	8	General
12	JB/T 7940.1-1995	14000200001	Pressure lubricator M8*1.0	4	General
13	S.FR210.016	11000200525	Raker weldment	1	General
14	EF175.116	11000100030	Raker pin	1	General
15	Same with item 1				
16	BCR140.114	11011800007	Square pipe plug 41*41	1	General
17	GB/T 889.1-2000	14050100014	Locknut M18	4	General
18	GB/T 95-2002	14040000014	Plain washer 18×3	8	General
19	GB/T 5783-2000	14010100129	Bolt M18*70	4	General
20	CTL160.017	11000200093	Hitch bracket weldment-Lower	2	General
21	CTL160.113	11000000030	Hitch bracket-Lower	2	General
22	S.FR210.127	11000100188	Hitch pin-Lower	2	General
23	GB/T 812-1988	14001000011	Round nut M33*1.5	1	General
24	S.FR210.114	11010100090	Small gear	1	General
25	GB/T 893.1-86	14000400053	Circlip90	2	General
26	GB/T 276-94	11011500037	Deep groove ball bearing 6308	2	General
27	S.FR210.103	11000000128	Adjusting washer	1	General
28	S.FR210.141	11011200135	Paper washer 2	1	General
29	S.FR210.118	11012700080	Bearing seat	1	General
30	GB/T 70.1-2000	14060200049	SHCS M12*20	12	General
31	TC55*72*8	11011200045	Oil seal	2	General



Onderdeel	Nummer	Materiaal code	Omschrijving	Stuks	Opmerking
32	S.FR210.104	11000100181	Adjusting sleeve	1	General
33	S.FR210.111	11012700089	Spline shaft	1	F.TH/U210
	S.FR185.111	11012700088			F.TH/U185
	S.FR160.111	11012700077			F.TH/U150
34	STBLGH	11010000015	Gearbox	1	General
35	GB/T 5783-2000	14010100071	Bolt M12*40	4	General
36	S.FR210.131	11000000129	Mounting bracket for gearbox	1	General
37	GB/T 5783-2000	14010100039	Bolt M10*25	3	General
38	GB/T 95-2002	14040000003	Plain washer 10×2	39	General
39	S.FR210.023	11000200531	Upper cover weldment	1	F.TH/U210
	S.FR185.023	11000200518			F.TH/U185
	S.FR160.023	11000200514			F.TH/U150
40	GB/T 5783-2000	14010100038	Bolt M10*20	3	General
41	S.FR210.024	11000200532	Support plate weldment	1	General
42	GB/T 5783-2000	14010100073	Bolt M12*50	1	General
43	S.FR210.129	11011000055	Cylinder	1	F.TH/U210
	S.FR185.129	11011000067			F.TH/U185
	S.FR160.129	11011000066			F.TH/U150
44	GB/T 5783-2000	14010100171	Bolt M16*30	4	General
45	GB/T 95-2002	14040000006	Plain washer 16×3	2	General
46	S.FR210.110	11012600016	Guide axle-lower	1	F.TH/U210
	S.FR185.110	11012600014			F.TH/U185
	S.FR160.110	11012600012			F.TH/U160
	S.FR150.110	11012600011			F.TH/U150
47	S.FR210.102	11000100180	Shime for guide axle	2	General
48	S.FR210.018	11000200527	Support plate weldment	1	General
49	S.FR210.015	11000200524	Support ring weldment	1	General
50	S.FR210.109	11012600015	Guide axle-upper	1	F.TH/U210
	S.FR185.109	11012600013			F.TH/U185
	S.FR160.109	11012600010			F.TH/U150



Onderdeel	Nummer	Materiaal code	Omschrijving	Stuks	Opmerking
51	S.FR210.021	11000200529	Gear cover weldment	1	General
52	M16*1.5*35	11010600001	Hollow bolt	2	General
53	JBZQ 4770-2006	14000500012	Outer hexagonal plug M12*1.25	1	General
54	GB/T 5783-2000	14010100041	Bolt M10*35	15	General
55	GB/T 93-1987	14020000007	Spring washer 10	19	General
56	GB/T 889.1-2000	14050100003	Locknut M10	18	General
57	S.FR210.138	11011200091	Cork pad	1	General
58	GB/T 812-1988	14001000007	Round nut M24*1.5	1	General
59	S.FR210.124	11000100185	Sleeve 2	1	General
60	S.FR210.113	11010100089	Mid gear	1	General
61	S.FR210.123	11000100184	Sleeve 1	1	General
62	S.FR210.125	11000100186	Mid gear shaft	1	General
63	S.FR210.022	11000200530	Skate weldment-R	1	General
64	S.FR210.139	11000000130	Side plate-R	1	General
65	GB/T 5783-2000	14010100046	Bolt M10*60	1	General
66	GB/T 889.1-2000	14050100003	Locknut M10	18	General
67	S.FR210.010	11000200519	Hood panel weldment	1	F.TH/U210
	S.FR185.010	11000200515			F.TH/U185
	S.FR160.010	11000200510			F.TH/U160
	S.FR150.010	11000200506			F.TH/U150
68	S.FR210.017	11000200526	Fixing ring weldment	1	General
69	GB/T 889.1-2000	14050100002	Locknut M8	4	General
70	GB/T 95-2002	14040000002	Plain washer 8x1.6	8	General
71	GB/T 5783-2000	14010100019	Bolt M8*25	4	General
72	TC45*65*8	11011200036	Oil seal	1	General
73	S.FR210.025	11000200533	Side plate weldment-L	1	General
74	S.FR210.122	11012700081	Spindle head-L	1	General
75	GB/T 893.1-86	14000400049	Circlip 80	1	General
76	S.FR210.105	11000100182	Spindle head washer	1	General
77	GB/T 70.1-2000	14060200049	SHCS M12*20	12	General
78	GB/T 276-94	11011500035	Deep groove ball bearing 6307	1	General
79	S.FR210.140	11011200134	Paper washer 1	1	General
80	S.FR210.120	11013000008	End cover	1	General



Onderdeel	Nummer	Materiaal code	Omschrijving	Stuks	Opmerking
81	GB/T 5783-2000	14010100037	Bolt M10*16	4	General
82	GB/T 889.1-2000	14050100007	Locknut M14	16	General
83	GB/T 93-1987	14020000009	Spring washer 14	100	F.TH/U210
				88	F.TH/U185
				76	F.TH/U160
					F.TH/U150
84	GB/T 5783-2000	14010100093	Bolt M14*50	2	General
85	S.FR210.020	11000200528	Skate weldment-L	1	General
86	GB/T 93-1987	14020000008	Spring washer 12	22	General
87	S.FR210.119	11013000007	Dust cover-L	1	General
88	GB/T 5786-2000	14010300020	Bolt M14*1.5*45(black)	96	F.TH/U210
				84	F.TH/U185
				72	F.TH/U160
					F.TH/U150
89	GB/T 889.2-2000	14050300003	Locknut M14*1.5	96	F.TH/U210
				84	F.TH/U185
				72	F.TH/U160
					F.TH/U150
90	LG180.116	11010200034	Blade-L (C type - Large)	24	F.TH/U210
				21	F.TH/U185
				18	F.TH/U160
					F.TH/U150
91	LG180.117	11010200035	Blade-R (C type - Large)	24	F.TH/U210
				21	F.TH/U185
				18	F.TH/U160
					F.TH/U150
92	Blank				
93	S.FR210.014	11000200523	Blade axle weldment	1	F.TH/U210
	S.FR185.014	11000200517			F.TH/U185
	S.FR160.014	11000200513			F.TH/U160
	S.FR150.014	11000200508			F.TH/U150
94	S.FR210.115	11013000006	Dust cover-R	1	General
95	S.FR210.117	11012700079	Bearing seat-R	1	General
96	S.FR210.116	11012700078	Spindle head-R	1	General



Onderdeel	Nummer	Materiaal code	Omschrijving	Stuks	Opmerking
97	S.FR210.142	11011200136	Paper washer 3	1	General
98	GB/T 276-94	11011500038	Deep groove ball bearing 6309	1	General
99	GB/T 893.1-86	14000400057	Circlip100	1	General
100	S.FR210.112	11010100088	Lower gear	1	General
101	GB/T 812-1988	14001000013	Round nut M36*1.5	1	General
102	GB/T 91-2000	14000100164	Cotter pin 4*28	2	General
103	S.FR210.108	11000100183	Guard plate axle	1	F.TH/U210
	S.FR185.108	11000100179			F.TH/U185
	S.FR160.108	11000100178			F.TH/U160
	S.FR150.108	11000100177			F.TH/U150
104	S.FR210.012	11000200521	Baffles	1	F.TH/U210
	S.FR185.012	11000200516			F.TH/U185
	S.FR160.012	11000200511			F.TH/U160
	S.FR150.012	11000200507			F.TH/U150
105	S.FR210.135	11000100189	Spring hook	2	General
106	S.FR210.136	11010300038	Spring	2	General

11. PRODUCT SPECIFICATIE

Model											
	mm	inc	mm	inc	mm	HP / kW	mm	inc	n	n	kg
F. TH/U150	1595	63	1450	57	725-725	30 - 60 / 22 - 44	120	5	6	36	415
					305-1145						
F. TH/U160	1695	67	1550	61	775-775	30 - 60 / 22 - 44	120	5	6	36	435
					355-1195						
F. TH/U185	1945	76	1800	71	900-900	30 - 60 / 22 - 44	120	5	7	42	465
					350-1450						
F. TH/U210	2195	86	2050	81	1025-1025	30 - 60 / 22 - 44	120	5	8	48	495
					375-1675						

Note: All technical parameter are subject to change without notice.



12. LIJST VAN SLIJTDELEN

Onde rdeel	Nummer	Materiaal code	Omschrijving	Stuks	Locatie
1	LG180.116	11010200034	Blade-L	24/21/18/18	Blade mounted plate
2	LG180.117	11010200035	Blade-R	24/21/18/18	Blade mounted plate
3	TC45*65*8	11011200036	Oil seal	1	Spindle head-L
4	TC55*72*8	11011200045	Oil seal	2	Gearbox and Spindle head-R
5	GB/T 276-94	11011500037	Deep groove ball bearing 6308	2	Gearbox and Mid gear
6	GB/T 276-94	11011500035	Deep groove ball bearing 6307	1	Spindle head-L
7	GB/T 276-94	11011500038	Deep groove ball bearing 6309	1	Lower gear