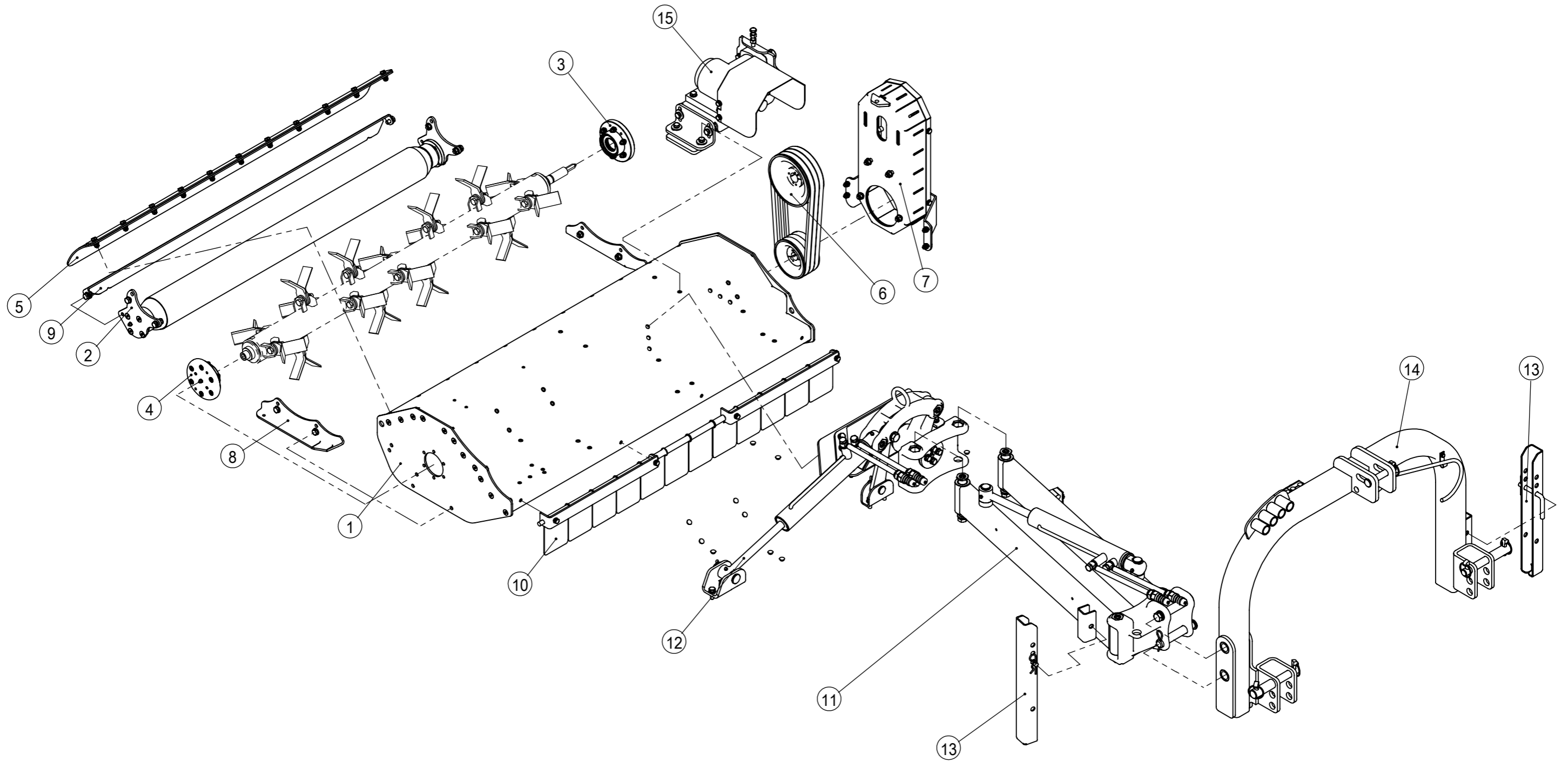
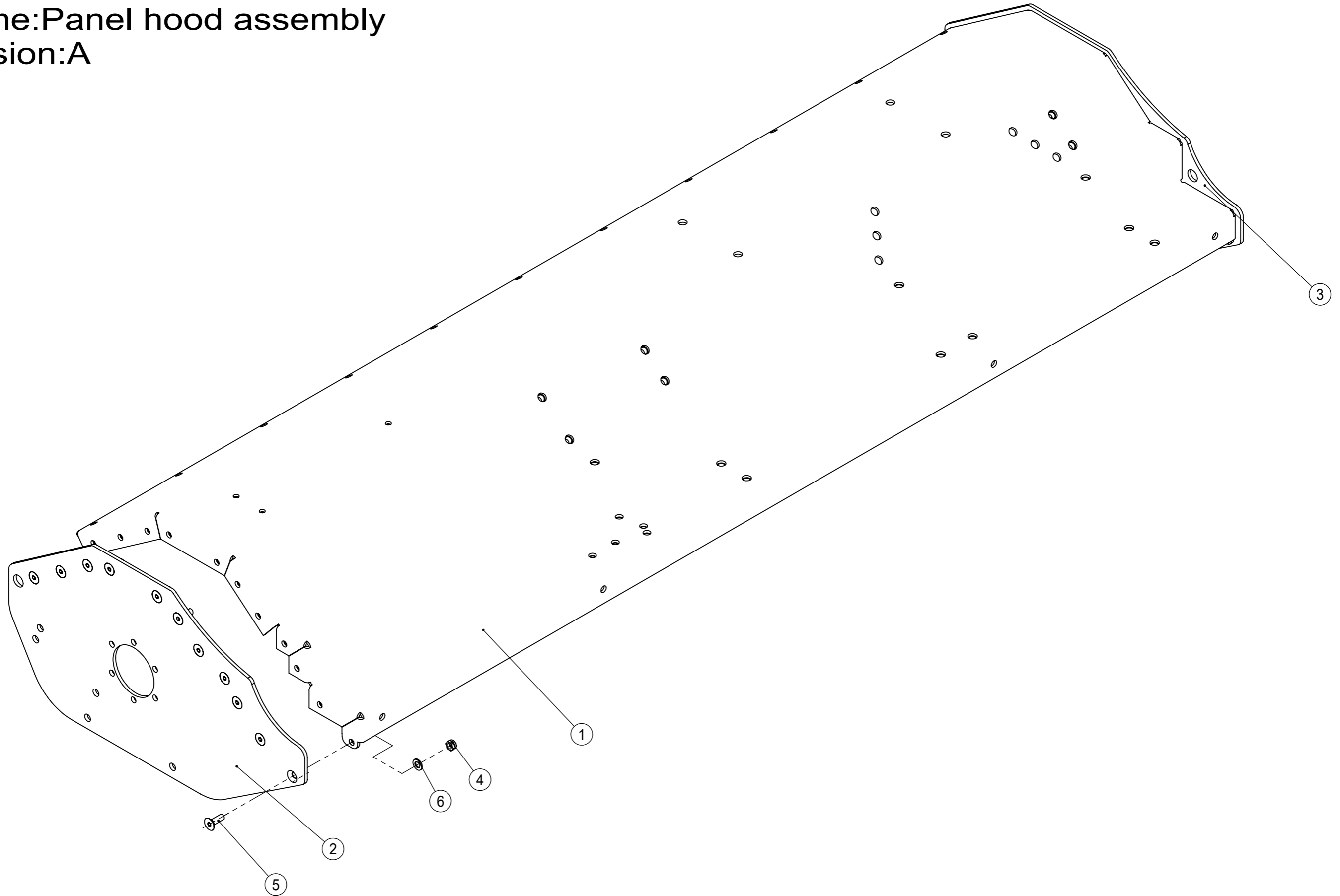


Specification: MTZB00154  
Name: Shredder  
Version: A



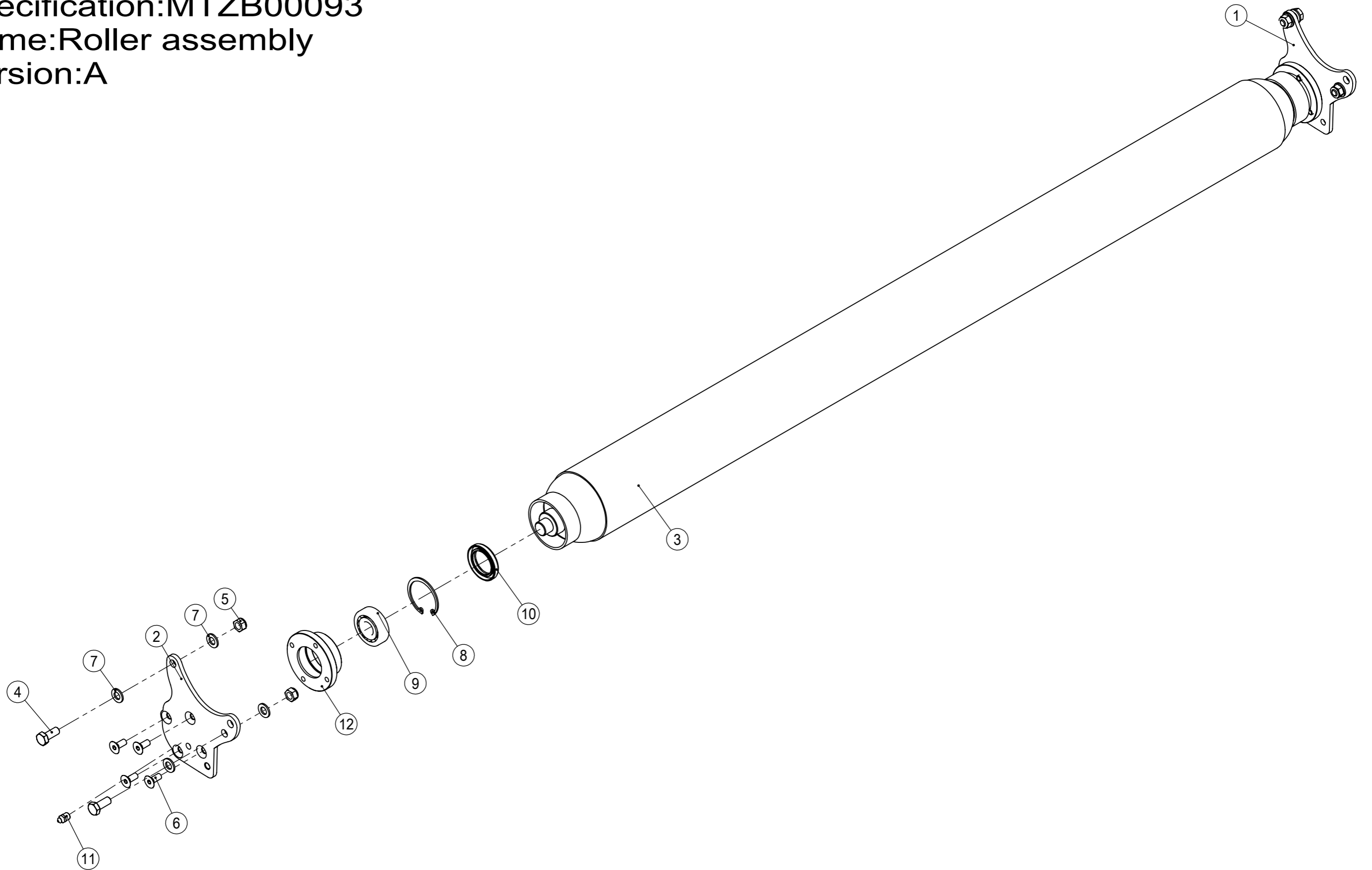
POS.	COD.	Specification	Description	125/Qty	145/Qty	165/Qty
1	2060105036	G01010A01000-000	Panel hood assembly	1	-	-
1	2060105037	G01011A01000-000	Panel hood assembly	-	1	-
1	2060105038	G01012A01000-000	Panel hood assembly	-	-	1
2	2060105040	G01010A03000-000	Roller assembly	1	-	-
2	2060105041	G01011A03000-000	Roller assembly	-	1	-
2	2060105042	G01012A03000-000	Roller assembly	-	-	1
3	2060105045	G01009A04000-000	Bearing seat assembly	1	1	1
4	2060105046	G01009A05000-000	Bearing seat assembly	1	1	1
5	2060105048	G01010A06000-000	Covering plate assembly	1	-	-
5	2060105049	G01011A06000-000	Covering plate assembly	-	1	-
5	2060105050	G01012A06000-000	Covering plate assembly	-	-	1
6	2060105179	G01009B09000-000	Side drive assembly	1	1	1
7	2060105052	G01009A11000-000	Side cover assembly	1	1	1
8	2060105056	G01009A14000-000	Skid plate assembly	1	1	1
9	2060105058	G01010A17000-000	Scraper assembly	1	-	-
9	2060105059	G01011A17000-000	Scraper assembly	-	1	-
9	2060105060	G01012A17000-000	Scraper assembly	-	-	1
10	2060105065	G01010A15000-000	Protective assembly	1	-	-
10	2060105066	G01011A15000-000	Protective assembly	-	1	-
10	2060105067	G01012A15000-000	Protective assembly	-	-	1
11	2060105135	G02001A18000-000	Assembly	1	1	1
12	2060105136	G02001A19000-000	Reverse assembly	1	1	1
13	2060105138	G02001A16000-000	Supporting Assembly	2	2	2
14	2060105140	G02001A12000-000	Hitch assembly	1	1	1
15	2060105149	G02001A08000-000	Gearbox drive shaft assembly	1	1	1

Specification: MTZB00092  
Name: Panel hood assembly  
Version: A



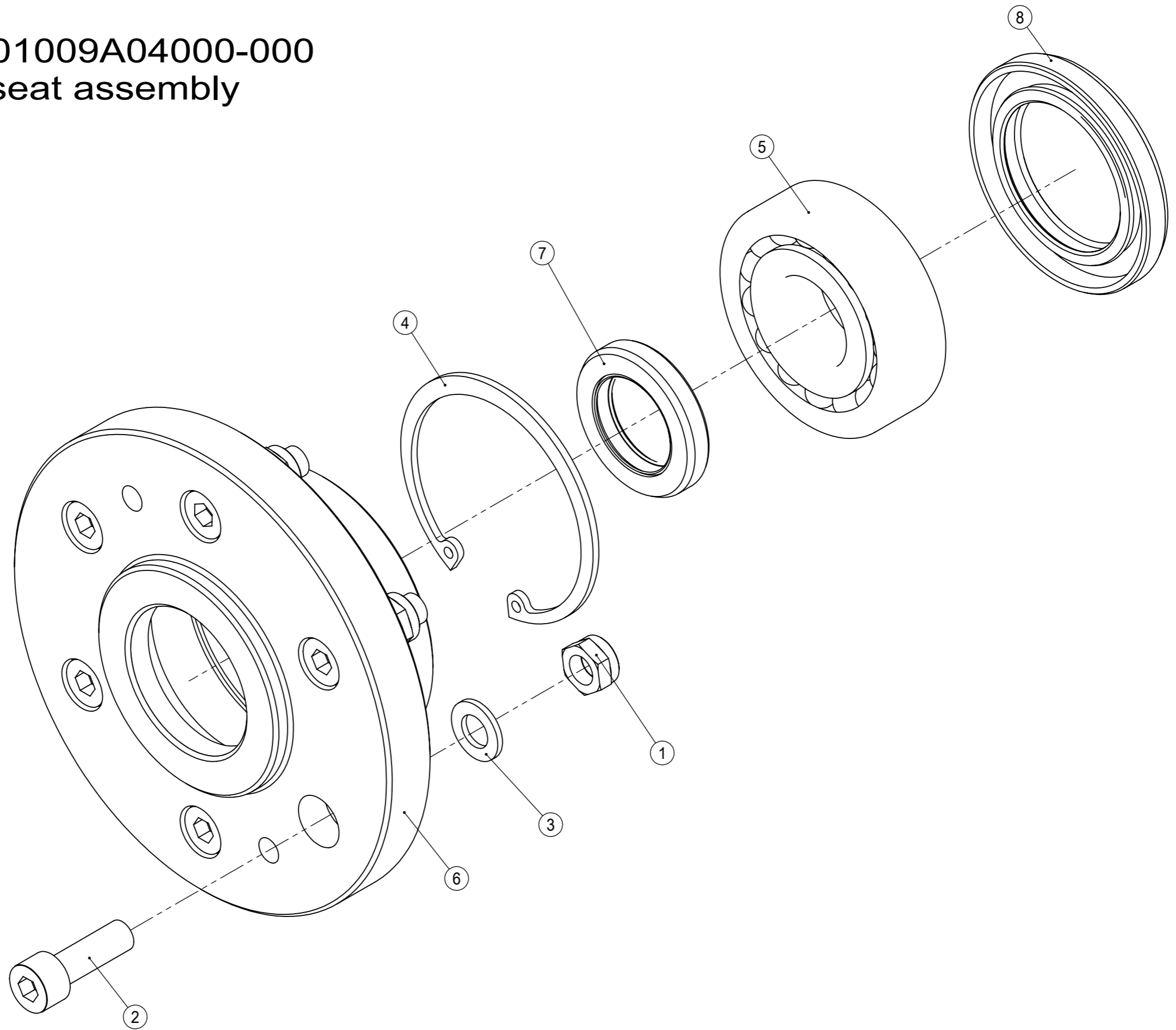
POS.	COD.	Specification	Description	105/Qty	125/Qty	145/Qty	165/Qty
1	2020004994	G01012A01100-000	Panel hood weldment	-	-	-	1
1	2020004993	G01011A01100-000	Panel hood weldment	-	-	1	-
1	2020004992	G01010A01100-000	Panel hood weldment	-	1	-	-
1	2020004991	G01009A01100-000	Panel hood weldment	1	-	-	-
2	2000000250	G01009A01000-002	Left side panel of hood	1	1	1	1
3	2000000251	G01009A01000-003	Right side panel of hood	1	1	1	1
4	3050500003	<b>GB/T889.1-M8-8-EP•Zn</b>	Locknut	20	20	20	20
5	3060200019	<b>GB/T70.3-M8×25-8.8-EP•Zn</b>	HSCS-Countersunk	20	20	20	20
6	3080100004	<b>GB/T95-8-EP•Zn</b>	Plain washer	20	20	20	20

Specification: MTZB00093  
Name: Roller assembly  
Version: A



POS.	COD.	Specification	Description	105/Qty	125/Qty	145/Qty	165/Qty
1	2000000269	G01009A03000-002	Roller mounting plate-L	1	1	1	1
2	2000000270	G01009A03000-003	Roller mounting plate-R	1	1	1	1
3	2020000495	G01012A03100-000	Roller weldment	-	-	-	1
3	2020000494	G01011A03100-000	Roller weldment	-	-	1	-
3	2020000493	G01010A03100-000	Roller weldment	-	1	-	-
3	2020000492	G01009A03100-000	Roller weldment	1	-	-	-
4	3040100043	<b>GB/T5783-M10×25-8.8-EP•Zn</b>	Full-thread hexagon bolts	4	4	4	4
5	3050500004	<b>GB/T889.1-M10-8-EP•Zn</b>	Locknut	4	4	4	4
6	3060200018	<b>GB/T70.3-M8×20-8.8-EP•Zn</b>	HSCS-Countersunk	8	8	8	8
7	3080100006	<b>GB/T95-10-EP•Zn</b>	Plain washer	8	8	8	8
8	3080600033	GB/T893-52-A	Retaining rings for borP	2	2	2	2
9	3100200006	GB/T281-1304	Self-aligning ball bearing	2	2	2	2
10	3170100007	GB/T13871.1-FB-35×52×8-NBR	shaft seal	2	2	2	2
11	3170400005	Din71412-G1/8-A	Grease nipple	2	2	2	2
12	3240300005	G01009A03000-001	Bearing Block	2	2	2	2

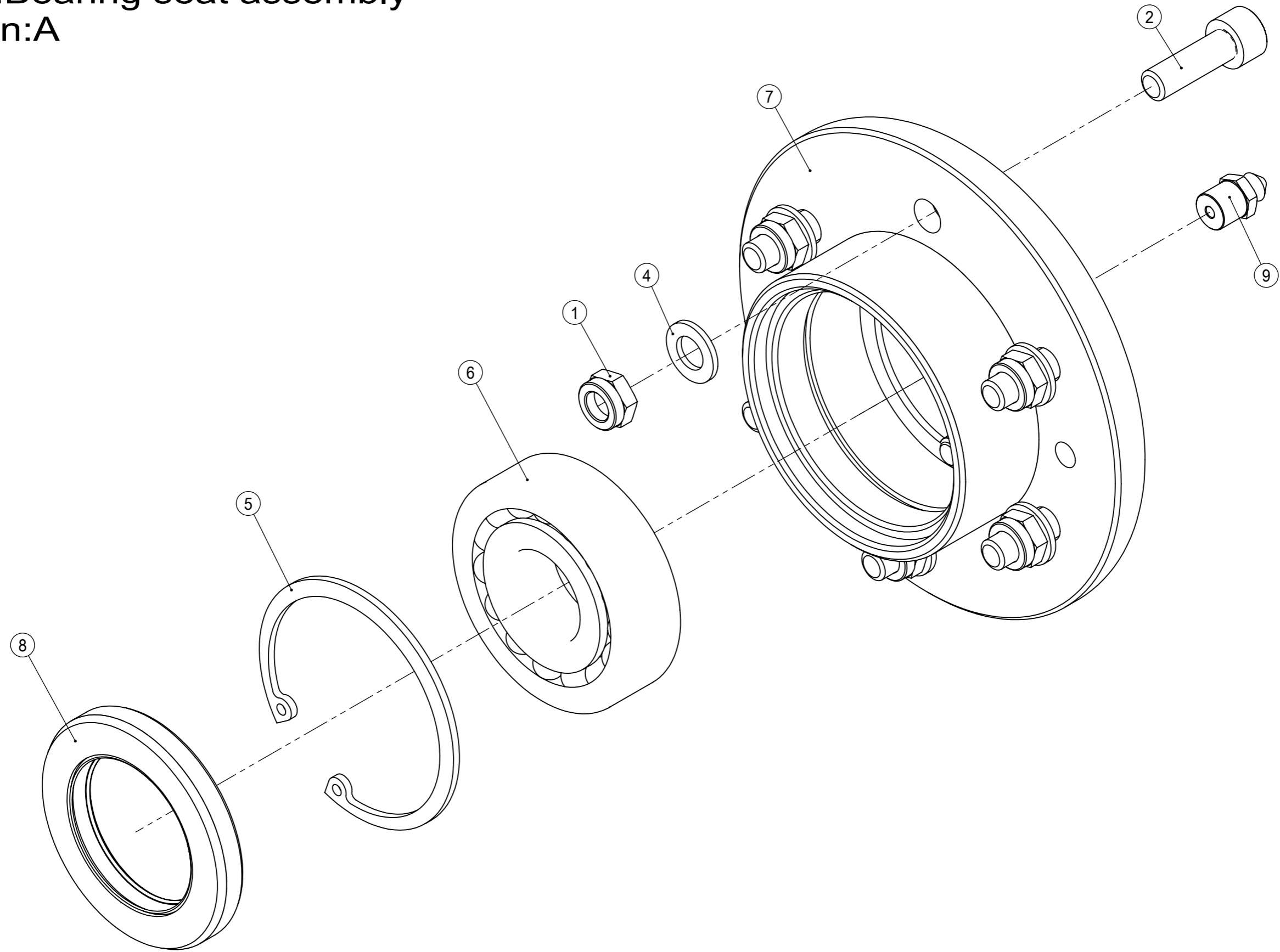
Specification:G01009A04000-000  
Name:Bearing seat assembly  
Version:A



POS.	COD.	Specification	Description	Qty
1	3050500003	<b>GB/T889.1-M8-8-EP•Zn</b>	Locknut	6
2	3060100027	<b>GB/T70.1-M8×25-8.8-EP•Zn</b>	Hexagon socket head cap screws	6
3	3080100004	<b>GB/T95-8-EP•Zn</b>	Plain washer	6
4	3080600038	GB/T893-62-A	Retaining rings for borP	1
5	3100200007	GB/T281-1305	Self-aligning ball bearing	1
6	3150100010	G01009A04000-001	Bearing seat	1
7	3170100003	GB/T13871.1-FB-25 × 40 × 7-NBR	shaft seal	1
8	3170100018	GB/T13871.1-FB-40 × 62 × 8-NBR	shaft seal	1

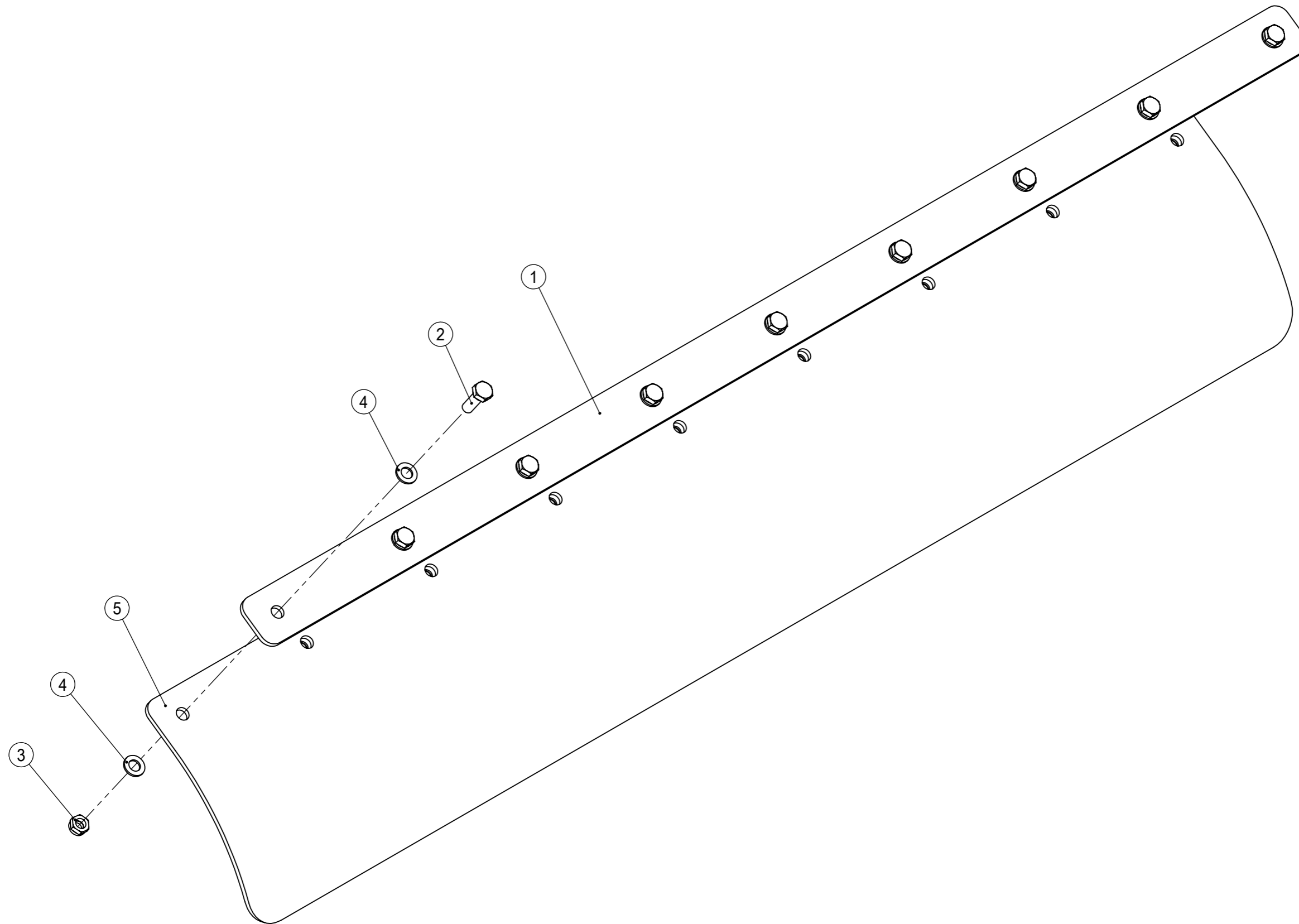


Specification:G01009A05000-000  
Name:Bearing seat assembly  
Version:A



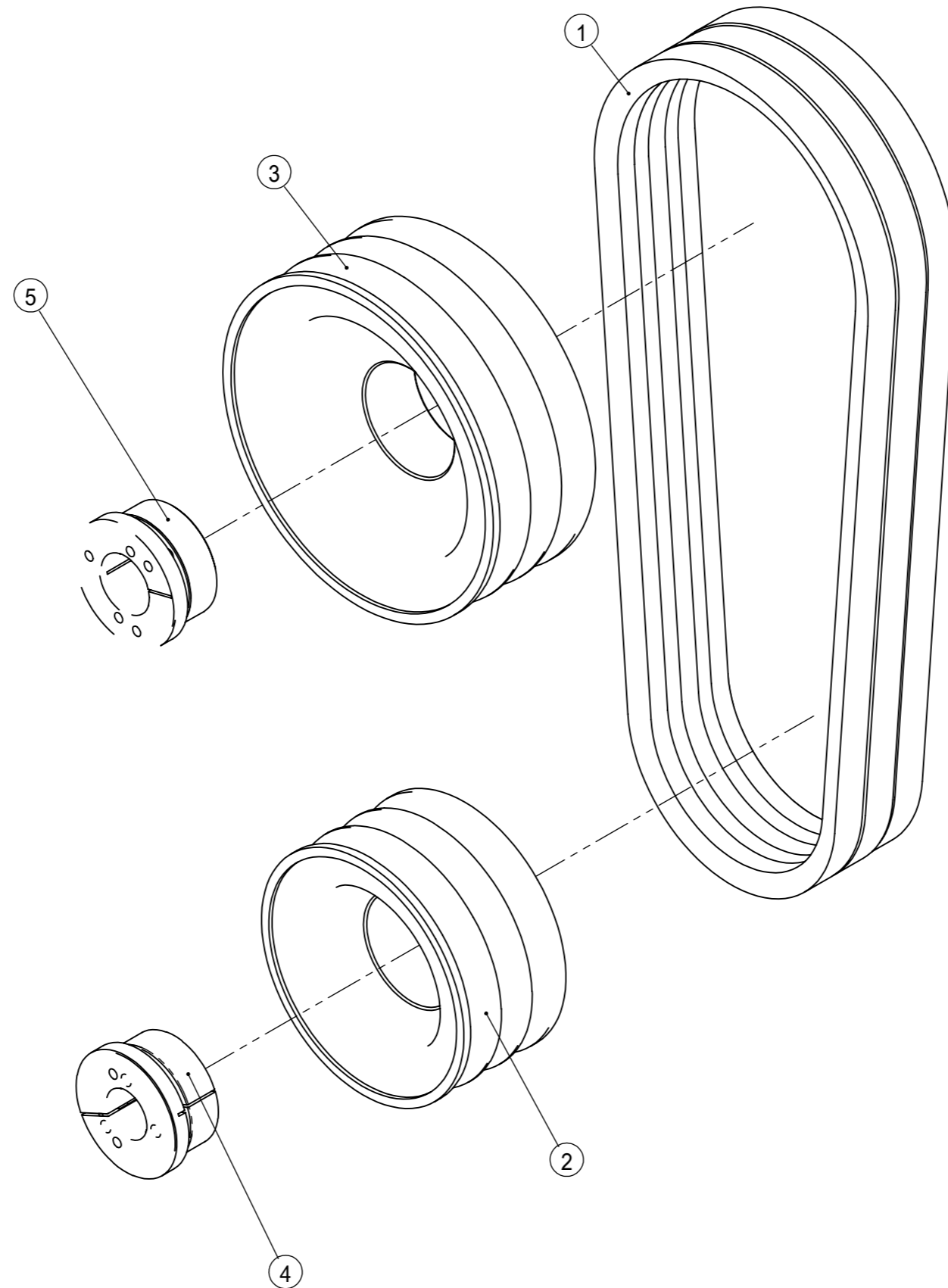
POS.	COD.	Specification	Description	Qty
1	3050500003	GB/T889.1-M8-8-EP•Zn	Locknut	6
2	3060100027	GB/T70.1-M8×25-8.8-EP•Zn	Hexagon socket head cap screws	6
3	3060400006	GB/T77-M8×8-45H-EP•Zn	Hexagon socket screws with flat point	2
4	3080100004	GB/T95-8-EP•Zn	Plain washer	6
5	3080600038	GB/T893-62-A	Retaining rings for borP	1
6	3100200007	GB/T281-1305	Self-aligning ball bearing	1
7	3150100009	G01009A05000-001	Bearing seat	1
8	3170100018	GB/T13871.1-FB-40×62×8-NBR	shaft seal	1
9	3170400005	Din71412-G1/8-A	Grease nipple	1

Specification: MTZB00094  
Name: Covering plate assembly  
Version: A



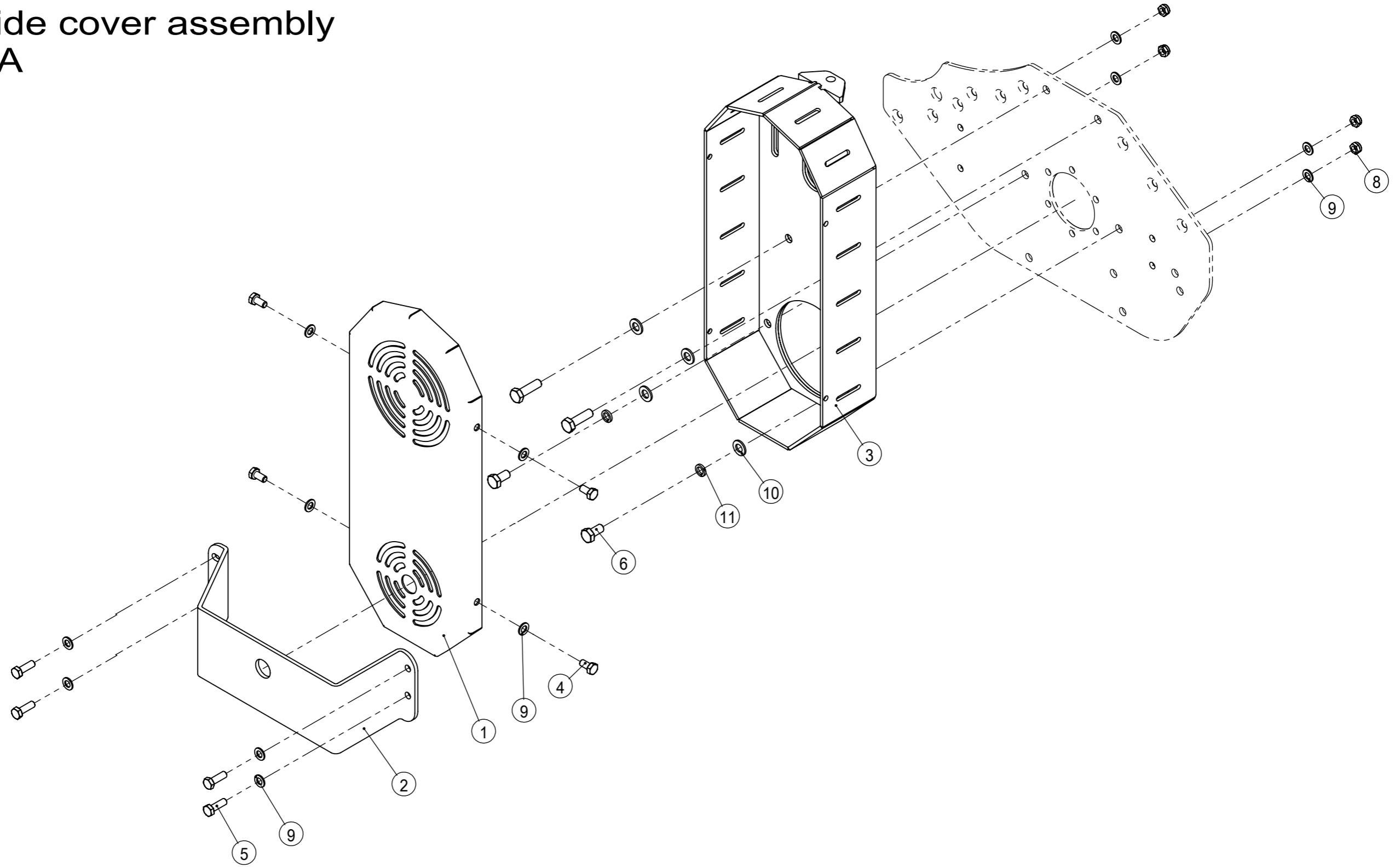
POS.	COD.	Specification	Description	105/Qty	125/Qty	145/Qty	165/Qty
1	2000000274	G01012A06000-001	Plate	-	-	-	1
1	2000000273	G01011A06000-001	Plate	-	-	1	-
1	2000000272	G01010A06000-001	Plate	-	1	-	-
1	2000000271	G01009A06000-001	Plate	1	-	-	-
2	3040100024	<b>GB/T5783-M8×25-8.8-EP•Zn</b>	Full-thread hexagon bolts	9	11	11	11
3	3050500003	<b>GB/T889.1-M8-8-EP•Zn</b>	Locknut	9	11	11	11
4	3080100004	<b>GB/T95-8-EP•Zn</b>	Plain washer	18	22	22	22
5	3210600006	G01012A06000-002	Rubber sheet	-	-	-	1
5	3210600005	G01011A06000-002	Rubber sheet	-	-	1	-
5	3210600004	G01010A06000-002	Rubber sheet	-	1	-	-
5	3210600003	G01009A06000-002	Rubber sheet	1	-	-	-

Specification:G01009B09000-000  
Name:Side drive assembly  
Version:A



POS.	COD.	Specification	Description	Qty
1	3160400020	SPB160-3-1-55-HT200-O	Pulley	1
2	3160400019	SPB118-3-1-55-HT200-O	Pulley	1
3	3160500003	Z6-25×55	Expanding sleeve	1
4	3160500004	Z6-30×55	Expanding sleeve	1
5	3160300009	GATES-5LXP1010	Belt	3

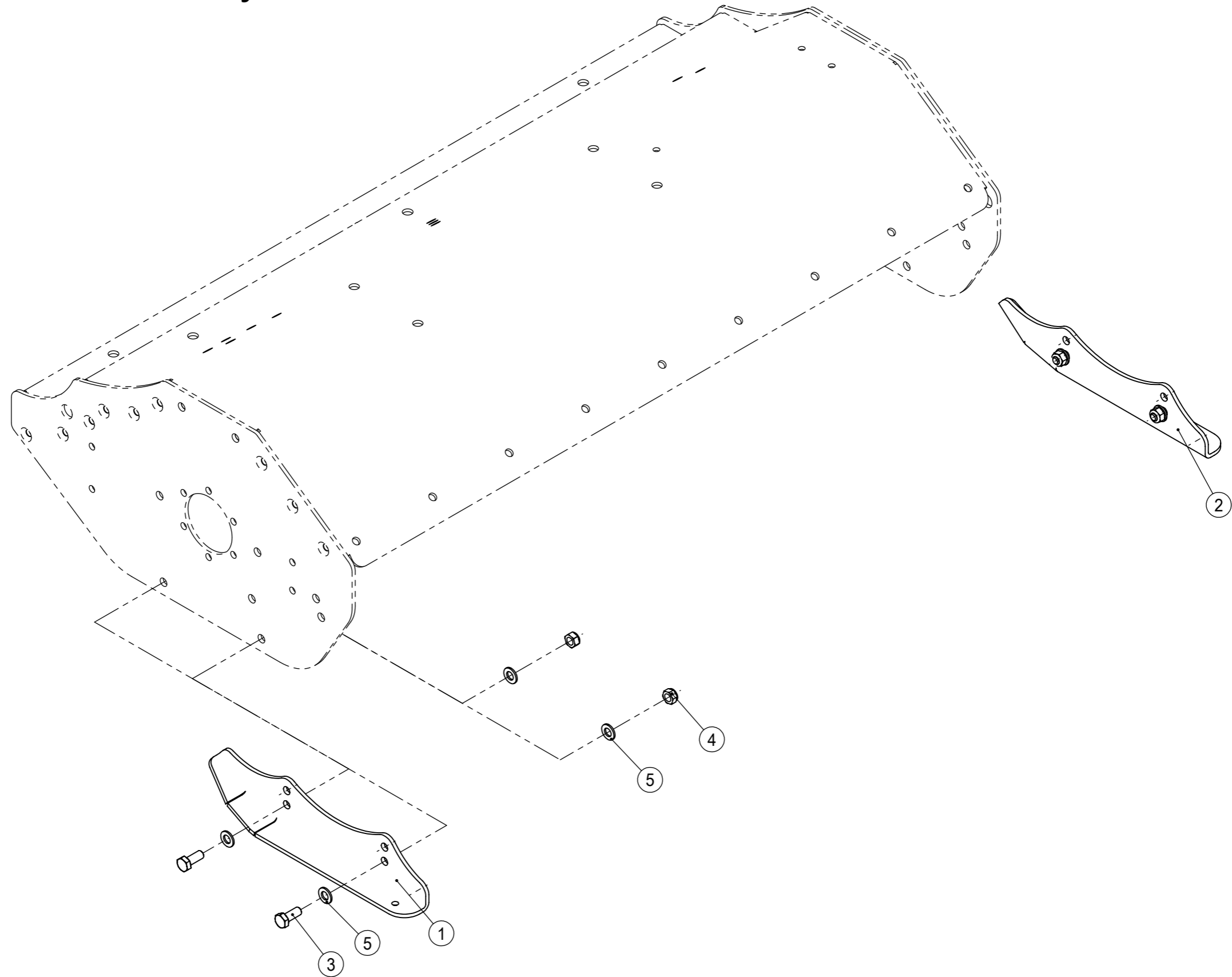
Specification:G01009A11000-000  
Name:Side cover assembly  
Version:A



POS.	COD.	Specification	Description	Qty
1	2000000259	G01009A11000-001	Belt cover	1
2	2000000278	G01009A11000-002	Plate	1
3	2020000496	G01009A11100-000	Pulley cover weldment	1
4	3040100021	<b>GB/T5783-M8×16-8.8-EP•Zn</b>	Full-thread hexagon bolts	4
5	3040100024	<b>GB/T5783-M8×25-8.8-EP•Zn</b>	Full-thread hexagon bolts	4
6	3040100041	<b>GB/T5783-M10×20-8.8-EP•Zn</b>	Full-thread hexagon bolts	2
7	3040100046	<b>GB/T5783-M10×35-8.8-EP•Zn</b>	Full-thread hexagon bolts	2
8	3050500003	<b>GB/T889.1-M8-8-EP•Zn</b>	Locknut	4
9	3080100004	<b>GB/T95-8-EP•Zn</b>	Plain washer	12
10	3080100006	<b>GB/T95-10-EP•Zn</b>	Plain washer	4
11	3080500008	<b>GB/T93-10-EP•Zn</b>	Spring washer	2

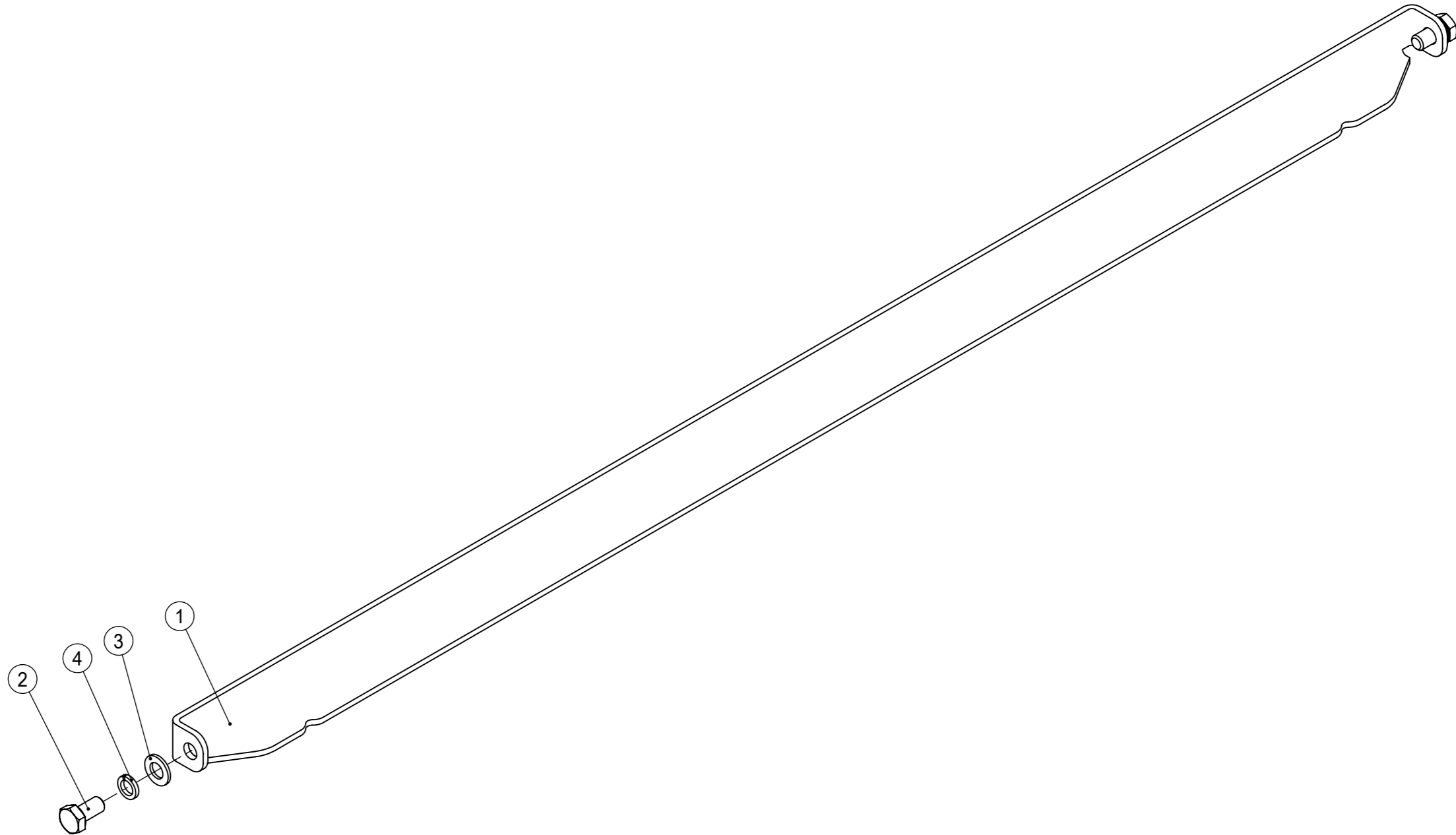


Specification:G01009A14000-000  
Name:Skid plate assembly  
Version:A



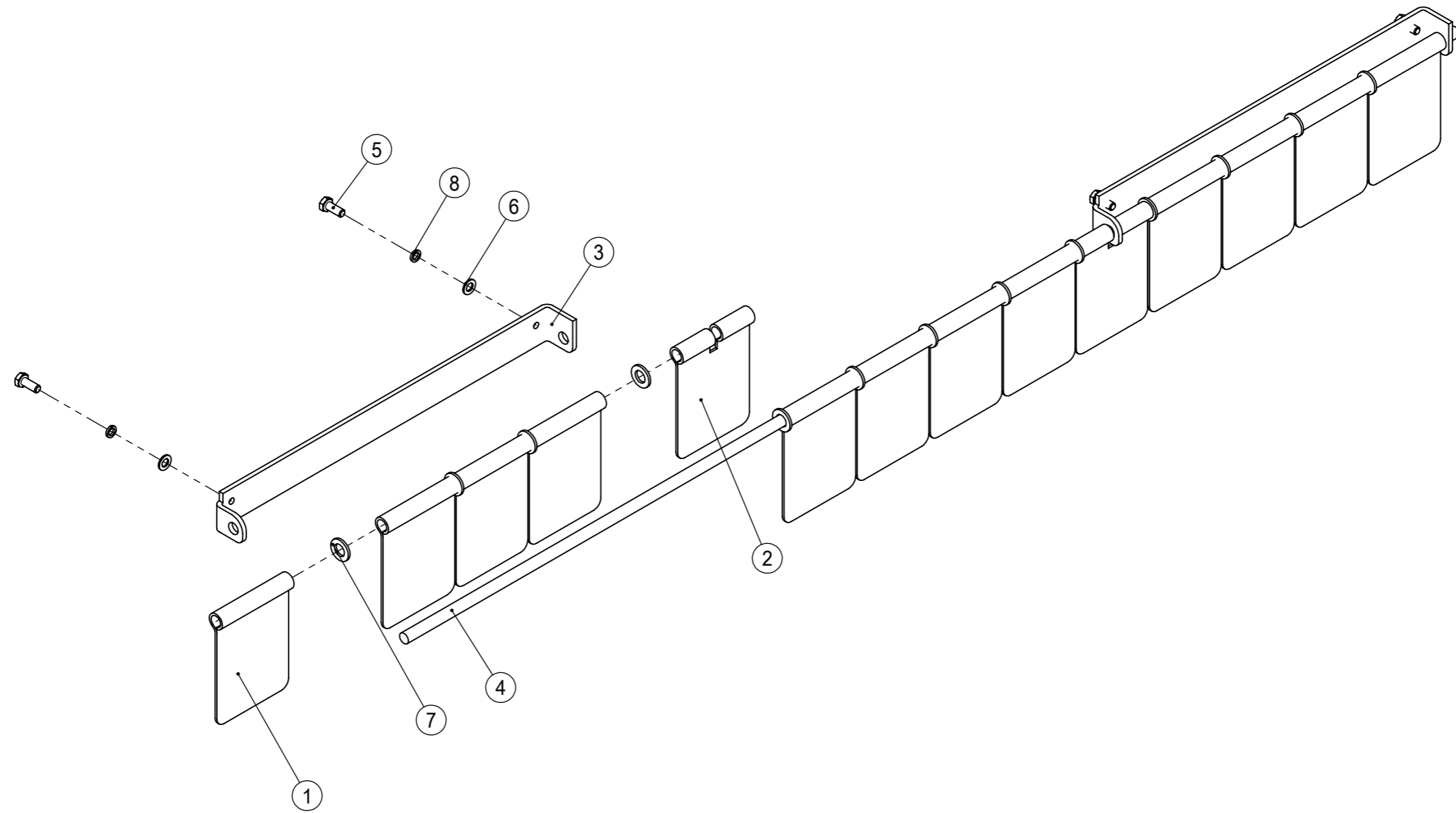
POS.	COD.	Specification	Description	Qty
1	2000000252	G01009A14000-002	Skate-L	1
2	2000000253	G01009A14000-001	Skate-R	1
3	3040100043	<b>GB/T5783-M10×25-8.8-EP•Zn</b>	Full-thread hexagon bolts	4
4	3050500004	<b>GB/T889.1-M10-8-EP•Zn</b>	Locknut	4
5	3080100006	<b>GB/T95-10-EP•Zn</b>	Plain washer	8

Specification:MTZB00096  
Name:Scraper assembly  
Version:A



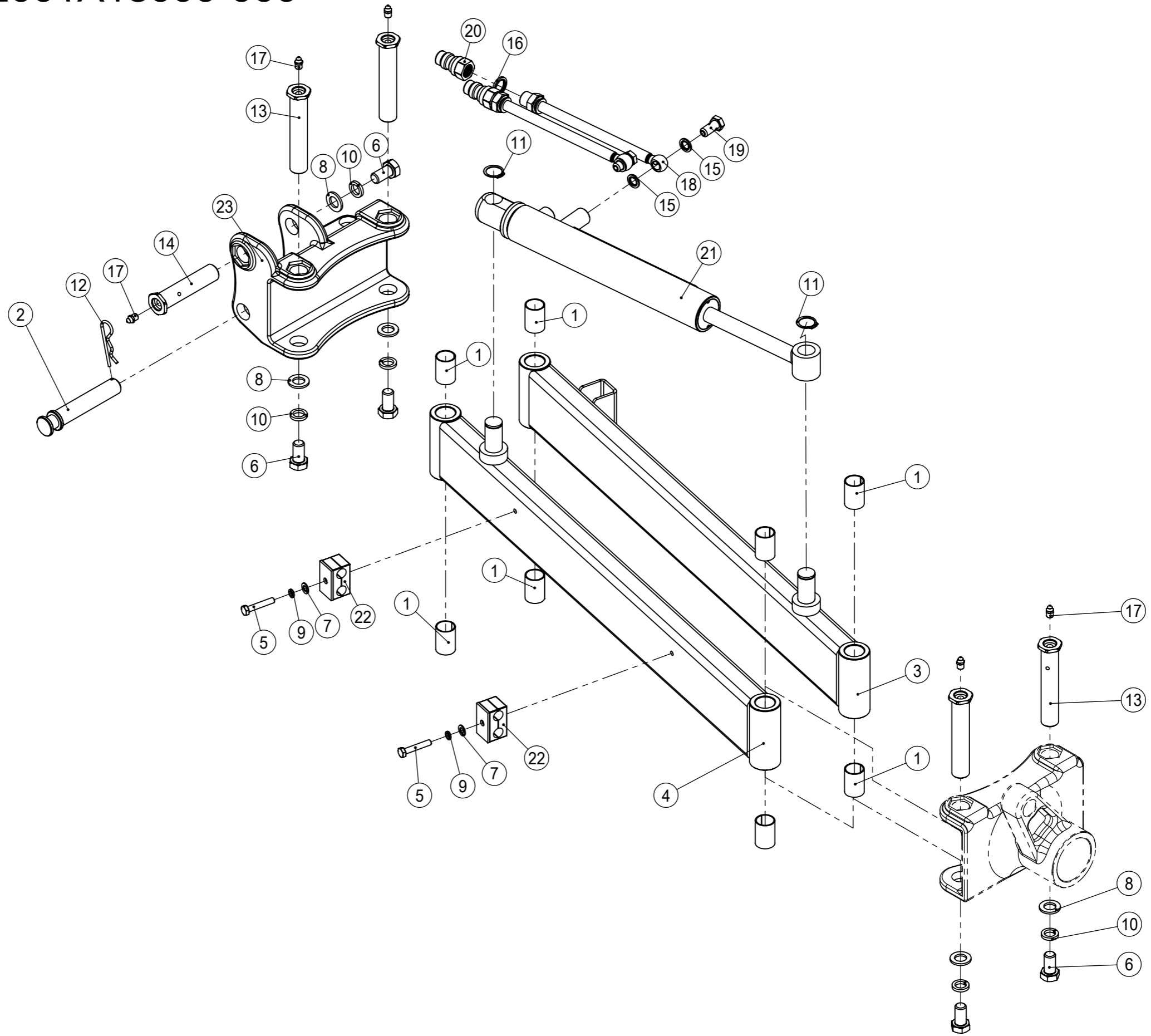
POS.	COD.	Specification	Description	105/Qty	125/Qty	145/Qty	165/Qty
1	2000000263	G01012A17000-001	Scraper	-	-	-	1
1	2000000262	G01011A17000-001	Scraper	-	-	1	-
1	2000000261	G01010A17000-001	Scraper	-	1	-	-
1	2000000260	G01009A17000-001	Scraper	1	-	-	-
2	3040100041	<b>GB/T5783-M10×20-8.8-EP•Zn</b>	Full-thread hexagon bolts	2	2	2	2
3	3080100006	<b>GB/T95-10-EP•Zn</b>	Plain washer	2	2	2	2
4	3080500008	<b>GB/T93-10-EP•Zn</b>	Spring washer	2	2	2	2

Specification: MTZB00095  
Name: Protective assembly  
Version: A



POS	COD.	Specification	Description	105/Qty	125/Qty	145/Qty	165/Qty
1	2000000189	G01009A15000-004	Baffle	8	10	12	14
2	2000000190	G01009A15000-003	Baffle with cut	2	2	2	2
3	2000000265	G01009A15000-001	Baffle sustaining plate	2	2	2	2
4	2010000173	G01012A15000-002	Baffle axle	—	—	—	1
4	2010000172	G01011A15000-002	Baffle axle	—	—	1	—
4	2010000171	G01010A15000-002	Baffle axle	—	1	—	—
4	2010000170	G01009A15000-002	Baffle axle	1	—	—	—
5	3040100023	GB/T5783-M8 × 20- 10.9-EP•Zn	Full-thread hexagon bolts	4	4	4	4
6	3080100004	<b>GB/T95-8-EP•Zn</b>	Plain washer	4	4	4	4
7	3080100007	<b>GB/T95-12-EP•Zn</b>	Plain washer	13	11	13	15
8	3080500007	<b>GB/T93-8-EP•Zn</b>	Spring washer	4	4	4	4

Specification:G02001A18000-000  
Name:Assembly  
Version:A



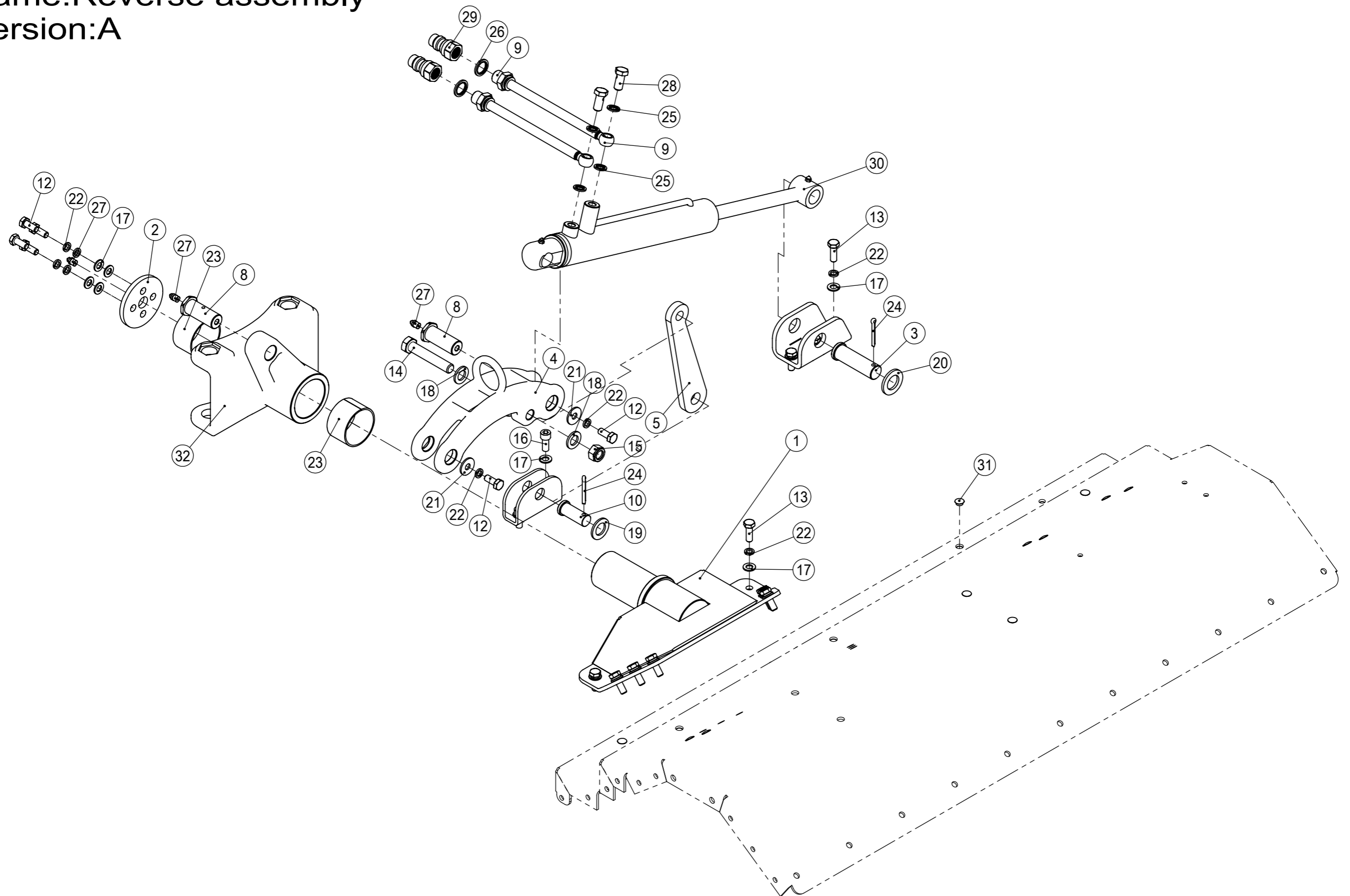
POS.	COD.	Specification	Description	Qty
1	3100900004	SF-2-25 × 28 × 40	Bushings	8
2	2010000045	G02001A18000-003	Pin	1
3	2020000499	G02001A18200-000	Swing square pipe-L	1
4	2020000500	G02001A18100-000	Swing square pipe-R	1
5	3040100028	<b>GB/T5783-M8×45-8.8-EP•Zn</b>	Full-thread hexagon bolts	2
6	3040100104	<b>GB/T5783-M16×30-8.8-EP•Zn</b>	Full-thread hexagon bolts	5
7	3080100004	<b>GB/T95-8-EP•Zn</b>	Plain washer	2
8	3080100009	<b>GB/T95-16-EP•Zn</b>	Plain washer	5
9	3080500007	<b>GB/T93-8-EP•Zn</b>	Spring washer	2
10	3080500011	<b>GB/T93-16-EP•Zn</b>	Spring washer	5
11	3080700016	GB/T894-25-A	Retaining rings for shaft	2
12	3120400008	<b>Din11024-4-EP•Zn</b>	R Pin	1
13	3120500012	G02001A18000-001	Pin	4
14	3120500016	G02001A18000-002	Pin	1
15	3170300001	BS/A-13.7 × 20.6 × 2-Q235	Combined sealing gaskets	4
16	3170300006	BS/A-21.5 × 28.6 × 2.5-Q235	Combined sealing gaskets	2
17	3170400005	Din71412-G1/8-A	Grease nipple	5
18	3180200254	2SN06BL × 020310-04-04/M10610-04-08 × 1800+04	Hose	2
19	3180300009	G1/4-28.5-6-22	Hollow bolt	2
20	3180500001	Q00211041A-08-08	Hollow bolt	2
21	3181300036	CDL1MP5-40/22/243-D-G1/4-1CGUM	Hydraulic cylinder	1
22	3210100005	2-Φ16	Pipe Clamp	2
23	3220300023	G02001A18300-000	Lifting connector	1



Specification:G02001A19000-000

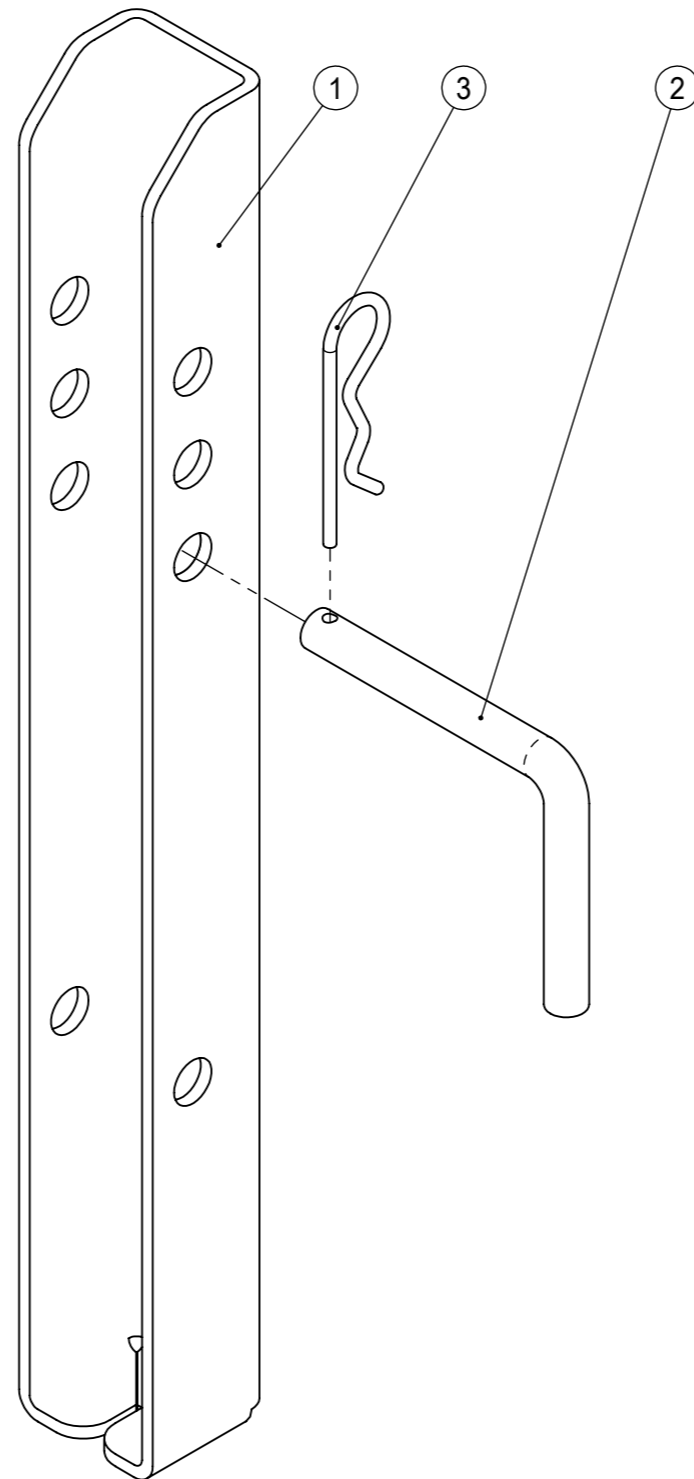
Name:Reverse assembly

Version:A



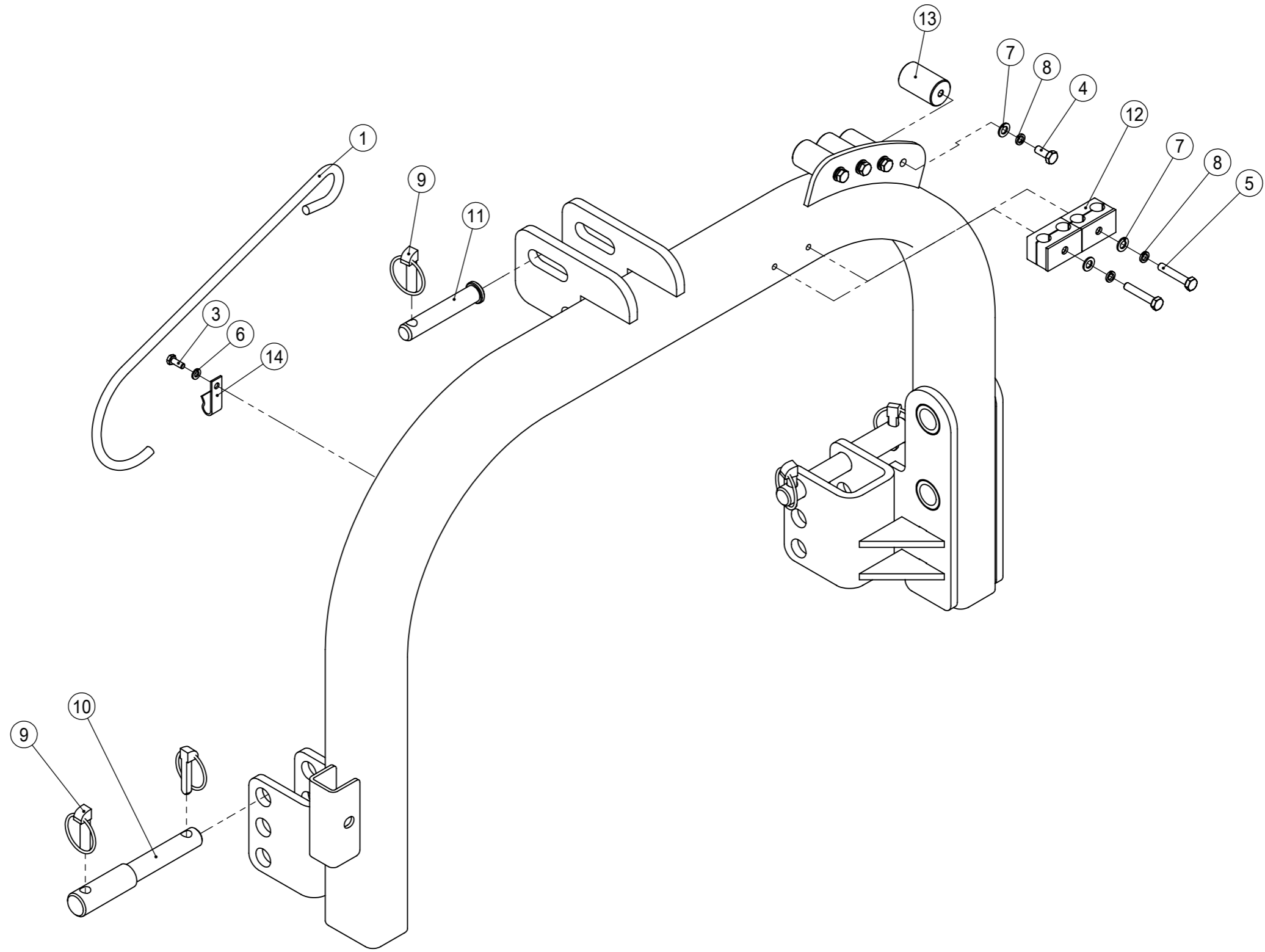
POS.	COD.	Specification	Description	Qty
1	2020000487	G02001A19100-000	Overturning shaft	1
2	2000000171	G02001A19000-001	Limiting plate	1
3	3120500015	G02001A19000-002	Pin	1
4	3220300025	G02001A19300-000	Overturning connecting bracket	1
5	2000000170	G02001A19000-003	Linkage plate	1
6	2000000258	G02001A19000-004	Overturning retainer	1
7	2000000275	G02001A19000-006	Plate	1
8	3120500013	G02001A19000-007	Pin	2
9	3180200253	2SN06BL x 020310-04-04/M10610-04-08 x 3080+04	Hose	2
10	3120500014	G02001A19000-008	Pin	1
11	2000000276	G02001A19000-009	Sustaining seat	1
12	3040100043	<b>GB/T5783-M10x25-8.8-EP•Zn</b>	Full-thread hexagon bolts	6
13	3040100045	<b>GB/T5783-M10x30-8.8-EP•Zn</b>	Full-thread hexagon bolts	11
14	3040100120	<b>GB/T5783-M16x90-8.8-EP•Zn</b>	Full-thread hexagon bolts	1
15	3050500009	<b>GB/T889.1-M16-8-EP•Zn</b>	Locknut	1
16	3060100039	<b>GB/T70.1-M10x25-8.8-EP•Zn</b>	Hexagon socket head cap screws	2
17	3080100006	<b>GB/T95-10-EP•Zn</b>	Plain washer	17
18	3080100009	<b>GB/T95-16-EP•Zn</b>	Plain washer	2
19	3080100011	<b>GB/T95-20-EP•Zn</b>	Plain washer	1
20	3080100013	<b>GB/T95-24-EP•Zn</b>	Plain washer	1
21	3080200009	<b>GB/T96.2-10-EP•Zn</b>	Large plain washer	2
22	3080500008	<b>GB/T93-10-EP•Zn</b>	Spring washer	17
23	3100900013	SF-2-63 x 68 x 40	Bushings	2
24	3120100107	GB/T91-5 x 40	Split pin	2
25	3170300001	BS/A-13.7 x 20.6 x 2-Q235	Combined sealing gaskets	4
26	3170300006	BS/A-21.5 x 28.6 x 2.5-Q235	Combined sealing gaskets	2
27	3170400005	Din71412-G1/8-A	Grease nipple	3
28	3180300009	G1/4-28.5-6-22	Hollow bolt	2
29	3180500001	Q00211041A-08-08	Hollow bolt	2
30	3181300036	CDL1MP5-40/22/243-D-G1/4-1CGUM	Hydraulic cylinder	1
31	3210200001	12MM	Pipe Plug	14
32	3220300024	G02001A19200-000	Overturning bracket	1

Specification:G02001A16000-000  
Name:Supporting Assembly  
Version:A



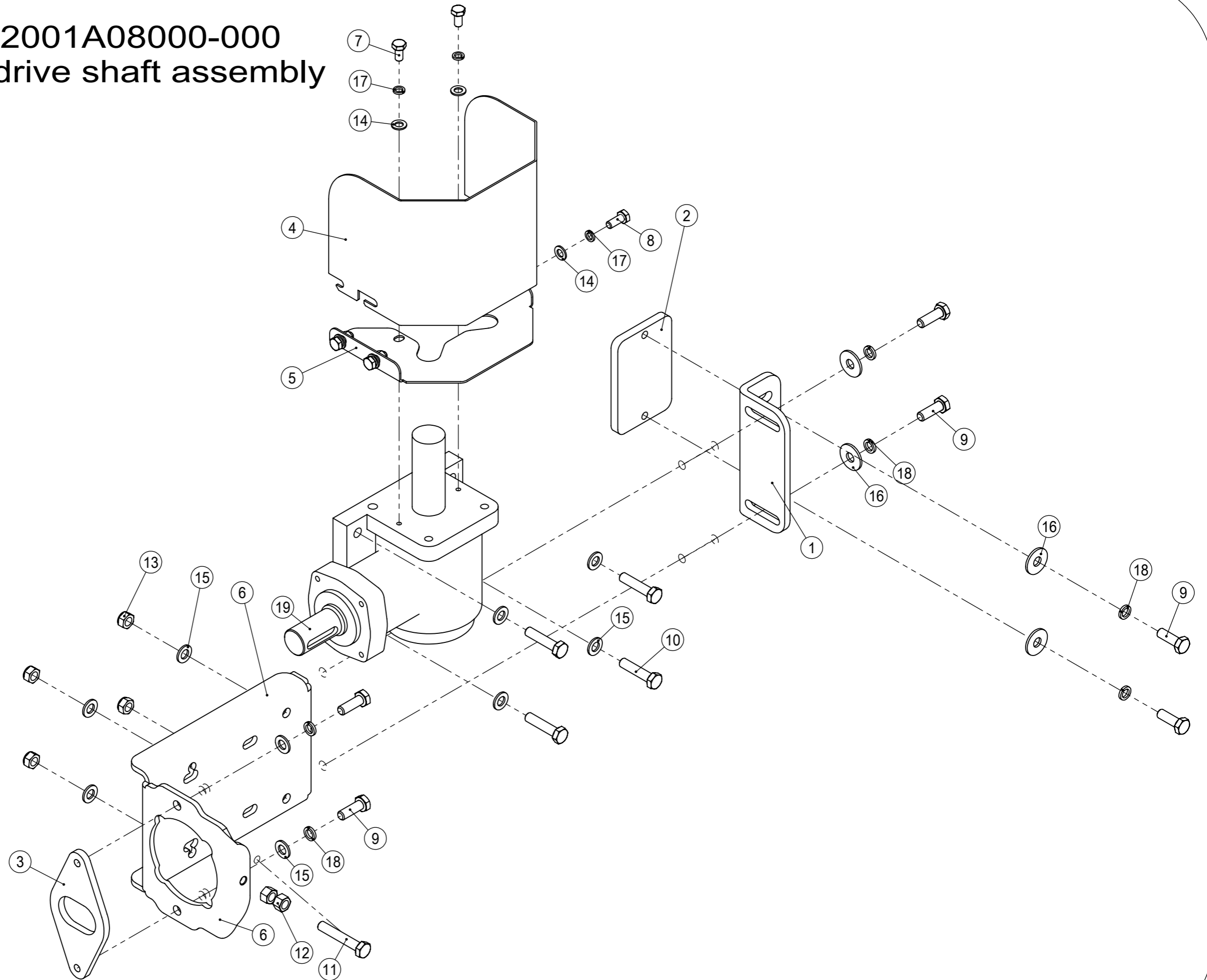
POS.	COD.	Specification	Description	Qty
1	2000000268	G02001A16000-001	Raker	1
2	2010000017	G01001A16000-001	Raker pin	1
3	3120400008	<b>Din11024-4-EP•Zn</b>	R Pin	1

Specification:G02001A12000-000  
Name:Hitch assembly  
Version:A



POS.	COD.	Specification	Description	Qty
1	2010000028	W01006A01000-002	PTO shaft hook	1
2	2020000498	G02001A12100-000	Hitch weldment	1
3	3040100005	<b>GB/T5783-M6×16-8.8-EP•Zn</b>	Full-thread hexagon bolts	1
4	3040100022	<b>GB/T5783-M8×20-8.8-EP•Zn</b>	Full-thread hexagon bolts	4
5	3040100028	<b>GB/T5783-M8×45-8.8-EP•Zn</b>	Full-thread hexagon bolts	2
6	3080100003	<b>GB/T95-6-EP•Zn</b>	Plain washer	1
7	3080100004	<b>GB/T95-8-EP•Zn</b>	Plain washer	6
8	3080500007	<b>GB/T93-8-EP•Zn</b>	Spring washer	6
9	3120400007	<b>GB/T4329-12-EP•Zn</b>	Pin	5
10	3120500008	MT95005	Pin	2
11	3120500009	MT95003	Pin	1
12	3210100005	2-Φ16	Pipe Clamp	2
13	3210500035	LSQ-S1 MDC-1/2M	Rubber	4
14	3220400602	G02001A12000-001	Spring clasp	1

Specification:G02001A08000-000  
Name:Gearbox drive shaft assembly  
Version:A

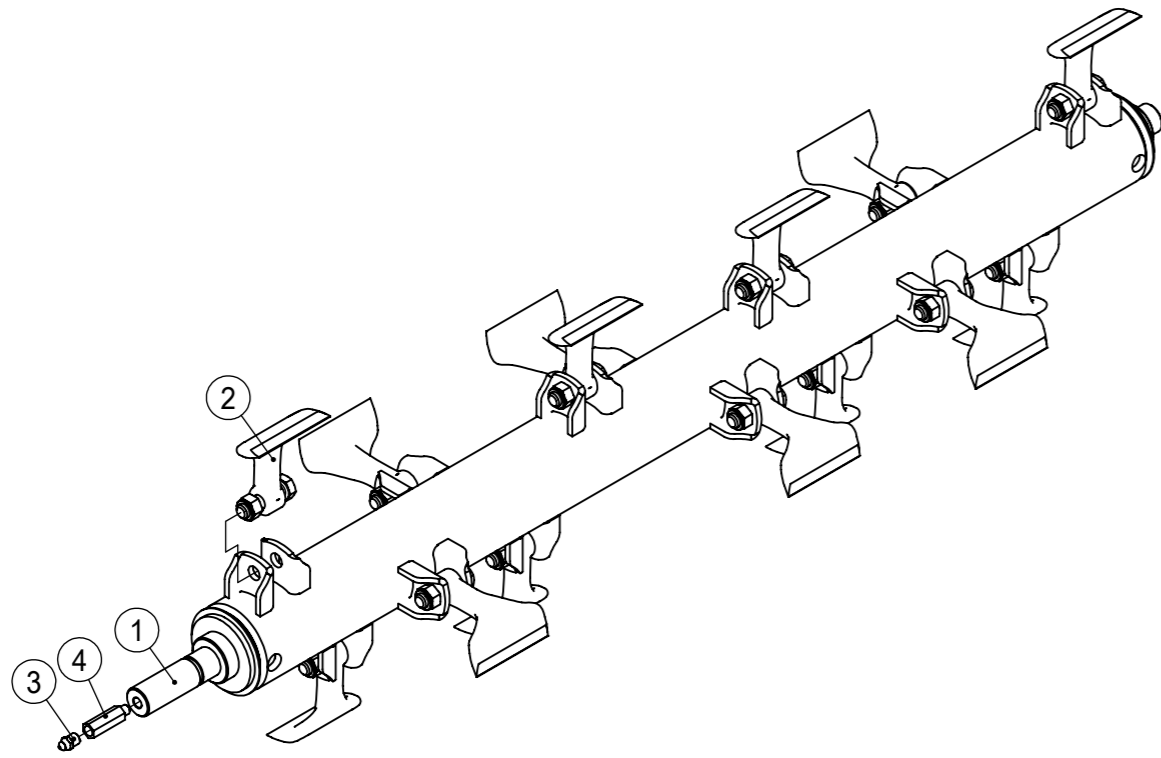


POS.	COD.	Specification	Description	Qty
1	2000000002	G01009A08000-002	Gearbox bracket	1
2	2000000267	G01009A08000-005	Gearbox reinforcement plate	1
3	2000000277	G01009A08000-004	Tension plate	1
4	2000000857	G01009A08000-001	PTO shaft protective cover	1
5	2020001787	G01009A08200-000	Weldment	1
6	2020005038	G02001A08100-000	Gearbox base plate welding	1
7	3040100021	<b>GB/T5783-M8×16-8.8-EP•Zn</b>	Full-thread hexagon bolts	2
8	3040100022	<b>GB/T5783-M8×20-8.8-EP•Zn</b>	Full-thread hexagon bolts	4
9	3040100045	<b>GB/T5783-M10×30-8.8-EP•Zn</b>	Full-thread hexagon bolts	6
10	3040100048	<b>GB/T5783-M10×45-8.8-EP•Zn</b>	Full-thread hexagon bolts	4
11	3040100051	<b>GB/T5783-M10×60-8.8-EP•Zn</b>	Full-thread hexagon bolts	1
12	3050100005	<b>GB/T41-M10-5-EP•Zn</b>	Hexagon Nuts	2
13	3050500004	<b>GB/T889.1-M10-8-EP•Zn</b>	Locknut	4
14	3080100004	<b>GB/T95-8-EP•Zn</b>	Plain washer	6
15	3080100006	<b>GB/T95-10-EP•Zn</b>	Plain washer	10
16	3080200009	<b>GB/T96.2-10-EP•Zn</b>	Large plain washer	4
17	3080500007	<b>GB/T93-8-EP•Zn</b>	Spring washer	6
18	3080500008	<b>GB/T93-10-EP•Zn</b>	Spring washer	6
19	3160100009	XH30.290Z.01W	Gear box	1

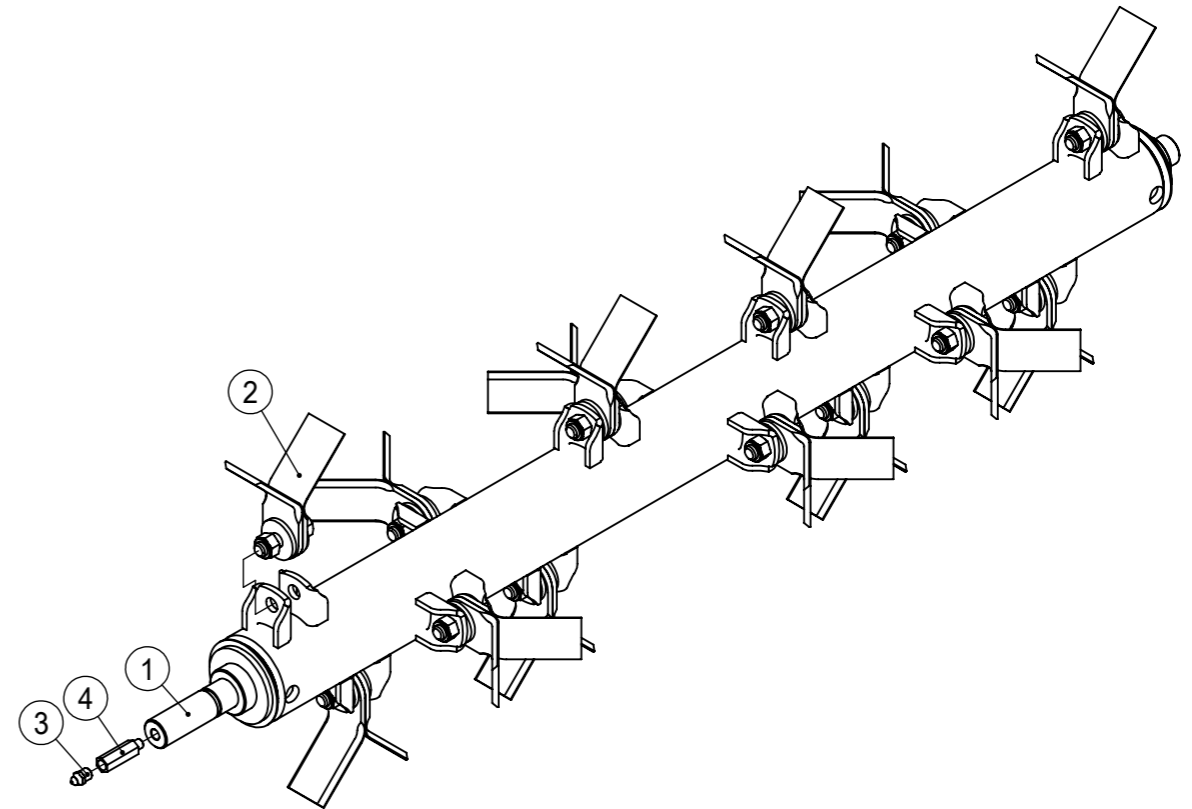


Specification:MTZB00097  
Name:Axle assembly  
Version:A

Ordinary axle+hammer blade



Ordinary axle+Y blade



Ordinary axle+hammer blade

POS.	COD.	Specification	Description	105/Qty	125/Qty	145/Qty	165/Qty
1	2020000488	G01009A02100-000	Axle weldment	1	-	-	-
1	2020000489	G01010A02100-000	Axle weldment	-	1	-	-
1	2020000490	G01011A02100-000	Axle weldment	-	-	1	-
1	2020000491	G01012A02100-000	Axle weldment	-	-	-	1
2	2060204854	G01009A02200-000	Blade assembly	14	18	20	24
3	3170400005	Din71412-G1/8-A	Grease nipple	1	1	1	1
4	3181100610	MT85007	Pressure lubricator connector	1	1	1	1

Ordinary axle+Y blade

POS.	COD.	Specification	Description	125/Qty	145/Qty	165/Qty	105/Qty
1	2020000489	G01010A02100-000	Axle weldment	1	-	-	-
1	2020000490	G01011A02100-000	Axle weldment	-	1	-	-
1	2020000491	G01012A02100-000	Axle weldment	-	-	1	-
1	2020000488	G01009A02100-000	Axle weldment	-	-	-	1
2	2060204855	G01009B02200-000	Blade assembly	18	20	24	14
3	3170400005	Din71412-G1/8-A	Grease nipple	1	1	1	1
4	3181100610	MT85007	Pressure lubricator connector	1	1	1	1