

OCR10-M56700EN

PREFACE

- 1.This Parts Catalog carries all parts incorporated in YANMAR Model 4TNV98-NSA, 4TNV98-NSA2 and 4TNV98-GGE engine manufactured since January, 2004.
- 2.Each illustration corresponds to the parts list on the following page.
- 3.When ordering parts,clearly write down the engine model and serial number,as well as the name and number of each part in your order sheet. This will help insure reliable delivery of the parts you have ordered.

Directions for the Parts Catalog.

1. The parts stipulated in this Parts Catalog are not necessarily standard equipped parts.
2. Parts may change without prior notice.
3. The following is an example of the Parts Catalog format.

REF.	LEV.	PARTS NO.	DESCRIPTION	Q'TY						I	R
				(A)	(B)	(C)	(D)	(E)	(F)		
1	1	729595-51390	FUEL INJECTION PUMP	1	1	1	1	1			1
1-1	1	729595-51391	FUEL INJECTION PUMP	1	1	1	1	1		N	1
		(A=E00185) (B=E00200)									
3	2	26022-060162	SCREW M 6X 16	9	9	9	9	9			
3-1	2	26022-060162	SCREW M 6X 16	4	4	4	4	4		K	
		(A=E00156) (B=E00156) (C=E00156) (D=E00156) (E=E00156)									
4	2	129470-51040	CAMSHAFT	1	1	1	1	1			
5	2	122710-51050	BEARING, ROLLER	2	2	2	2	2			
6	2	129470-51060	RETAINER	1	1	1	1	1			

Remarks
(1) BOOST COMPEMSATOR TYPE. OPTIONAL PART, TO E00155,(4JH-DT, 4JH-DTZ

① Ref. No.

The Ref. No. listed may not be in accordance with the illustration Ref. No.

(Ex.) Illustration No.

List Ref No.

1

1

(Before change) → 1-1 (After change)

For interchangeable symbols N, R and K, illustrations for new parts may be abbreviated.

② Lev. (Level)

Level indication

The numbers below indicate the level of relativity towards the main part.

1 ----- Main parts (Assembly parts)

2 ----- Sub component included in " 1 ".

3 ----- Sub component included in " 2 ".

Note) Parts that are not for sale are partially illustrated but not listed.

③ Interchangeability Mark

When a part change takes place, one of the following interchangeability symbols is indicated beside the part.

Symbol	Interchangeability	Contents note
N	Old $\begin{matrix} \leftarrow \text{Yes} \\ \text{No} \rightarrow \end{matrix}$ New	New Part is interchangeable for Old Part but Old Part is not interchangeable for New Part.
Q	Old $\begin{matrix} \leftarrow \text{No} \\ \text{Yes} \rightarrow \end{matrix}$ New	New Part is not interchangeable for Old Part but Old Part is interchangeable for New Part.
R	Old $\begin{matrix} \leftarrow \text{Yes} \\ \text{Yes} \rightarrow \end{matrix}$ New	New/ Old Parts are both interchangeable.
S	Old $\begin{matrix} \leftarrow \text{No} \\ \text{No} \rightarrow \end{matrix}$ New	New/ Old Parts are both not interchangeable.
W		Part newly added.
Z		Part discontinued.
F		Not interchangeable by a single part but interchangeable together with related parts.
K		Changes only for used parts quantities.

④ Effective Machine No.

When a part changes, the effective Machine No. will be indicated in the (A)-(F) column.

Product Symbol	Product No.	Product Symbol	Product No.
C	Clutch No. Compressor No.	F	Machine No. (Agricultural Equip.)
D	Drive No.	M	Machine No.
E	Engine No.		

Note 1) A date may follow the symbol. (Ex.) 1996.01

Note 2) "XXXXX" and "ZZZZZ" are for parts that could not be predicted or for engine models that could not be identified.

Note 3) (A=E00185) is the E (Engine Serial Number) for the column (A) model (in this case 4JH-DT) after the parts design change.

⑤ Remarks Mark

Figures or alphabets (symbols) are entered in the remarks column.

The comments (remarks) on parts that are indicated at the bottom of the illustration are the same symbols as those stated above.

Contents

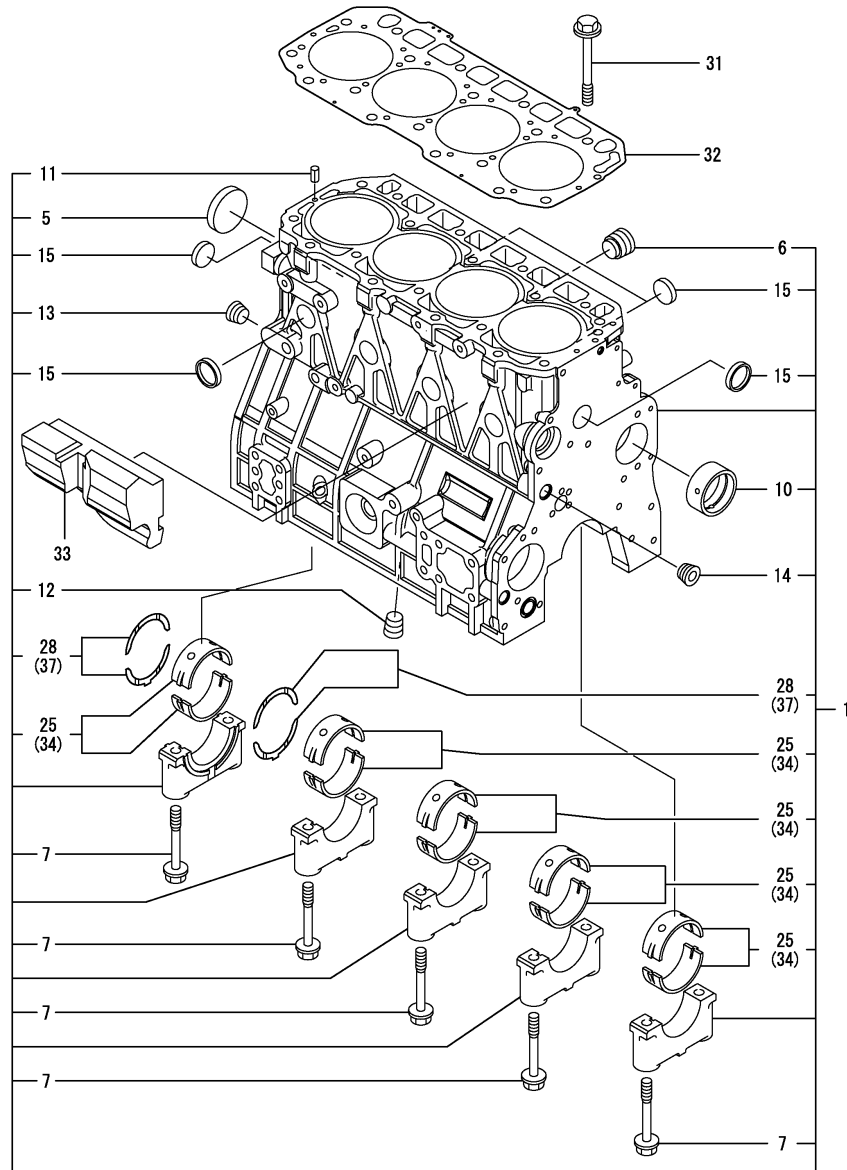
Fig. No.	Fig. Name
ENGINE SECTION (4TNV98-NSA,2,GGE)	
1.	CYLINDER BLOCK
2.	GEAR HOUSING
3.	GEAR HOUSING
4.	FLYWHEEL HOUSING & OIL SUMP
5.	FLYWHEEL HOUSING & OIL SUMP
6.	CYLINDER HEAD & BONNET
7.	SUCTION MANIFOLD
8.	EXHAUST MANIFOLD
9.	CAMSHAFT & DRIVING GEAR
10.	CRANKSHAFT & PISTON
11.	LUB.OIL SYSTEM
12.	COOLING WATER SYSTEM
13.	FUEL INJECTION PUMP
14.	FUEL INJECTION VALVE
15.	FUEL LINE
16.	STARTING MOTOR
19.	(16A)STARTING MOTOR
17.	GENERATOR
18.	GASKET SET

Fig. No.	Fig. Name
----------	-----------

Fig.1. CYLINDER BLOCK

(A)=4TNV98-NSA
 (B)=4TNV98-NSA2
 (C)=4TNV98-GGE

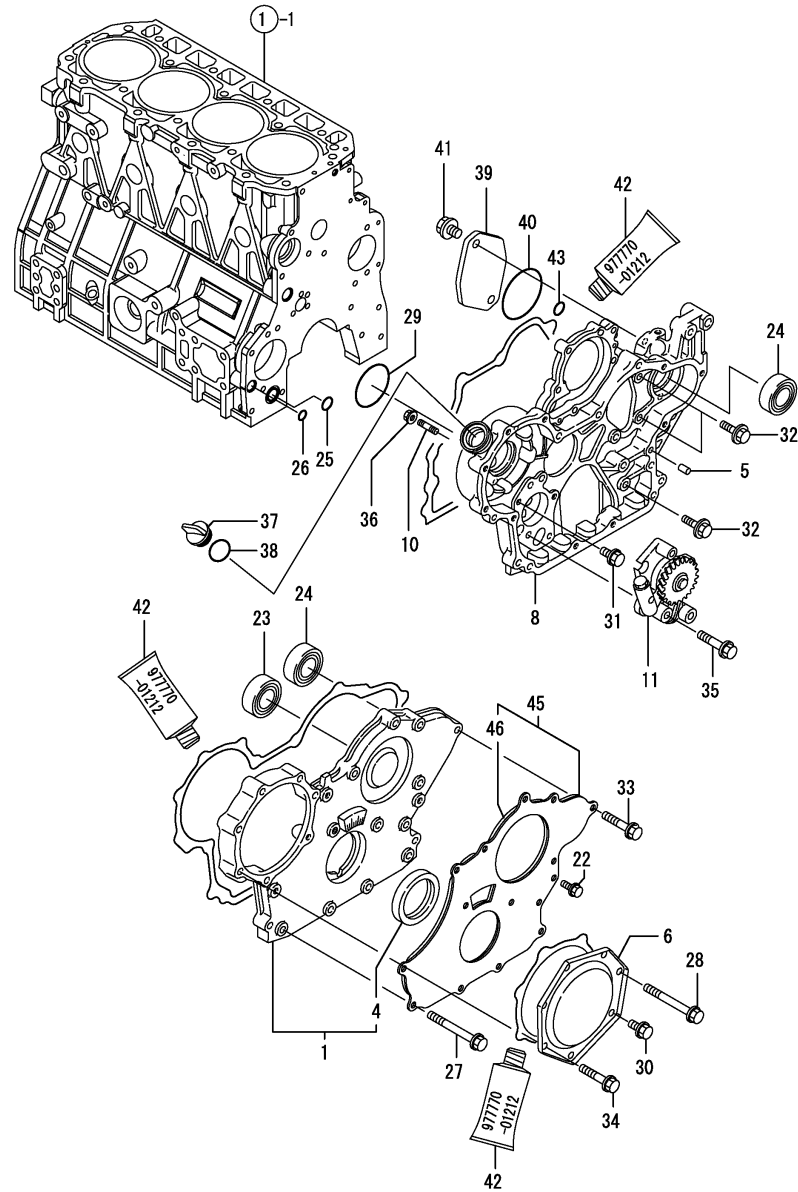
(D)=
 (E)=
 (F)=



No.	Lev.	Parts No.	Description	Qty						I	R
				(A)	(B)	(C)	(D)	(E)	(F)		
1	1	729907-01560	BLOCK ASSY, CYLINDER	1	1	1					
5	2	129900-01250	PLUG, 55	1	1	1					
6	2	171051-01921	PLUG, NPTF1	1	1	1					
7	2	129900-02020	BOLT, METAL CAP	10	10	10					
10	2	129900-02410	BUSH, CAMSHAFT	1	1	1					
11	2	22351-060012	PIN, SPRING 6.0X12	2	2	2					
12	2	23876-030000	PLUG, R03	1	1	1					
13	2	23876-030000	PLUG, R03	1	1	1					
14	2	23876-030000	PLUG, R03	1	1	1					
15	2	27241-300000	PLUG 30	8	8	8					
25	2	729900-02800	BEARING, MAIN	5	5	5					3
28	2	129900-02930	BEARING, THRUST	2	2	2					
31	1	129900-01200	BOLT, HEAD	18	18	18					
32	1	129907-01331	GASKET, HEAD	1	1	1					
33	1	129907-01190	SPACER	1	1	1					
34	1	129900-02340	BEARING, 0.25 US	5	5	5					1
37	1	129900-02940	BEARING, THRUST 0.25	2	2	2					2

Remarks
 (1) UNDER-SIZED(U.S=0.25)PART.
 (2) OVER-SIZED(O.S=0.25)PART.
 (3) REPAIR PART.

Fig.2. GEAR HOUSING



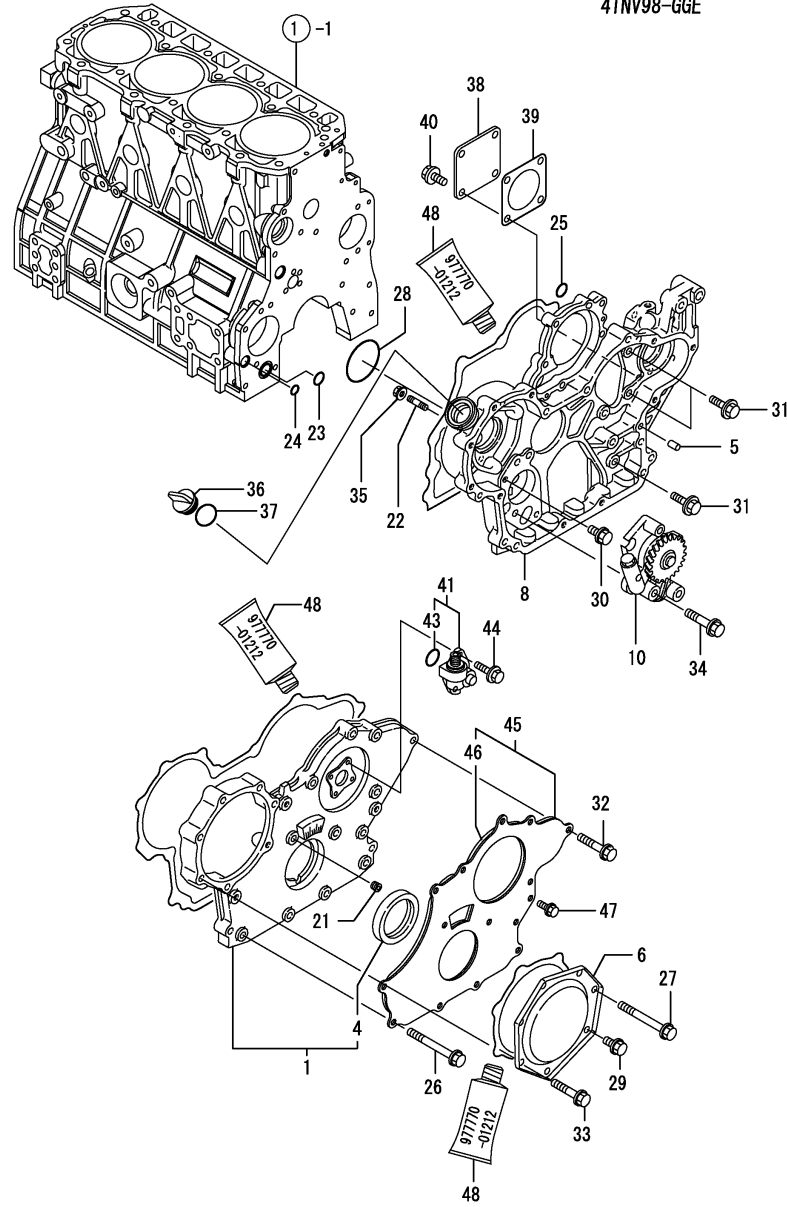
(A)=4TNV98-NSA
 (B)=4TNV98-NSA2
 (C)=4TNV98-GGE

(D)=
 (E)=
 (F)=

No.	Lev.	Parts No.	Description	Q'ty						I	R
				(A)	(B)	(C)	(D)	(E)	(F)		
1	1	729907-01550	COVER ASSY,GEAR CASE	1	1						
4	2	129900-01780	SEAL, OIL	1	1						
5	1	129100-01580	PIN, M8X16	4	4						
6	1	129900-01740	COVER	1	1						
8	1	129962-01500	CASE, GEAR	1	1						
10	1	26216-100302	STUD, M10X 30	4	4						
11	1	129900-32001	PUMP ASSY, OIL	1	1						
22	1	26106-080162	BOLT, M8X 16 PLATED	3	3						
23	1	129900-14140	BEARING, BALL 6205	1	1						
24	1	129900-26250	BEARING, BALL 6206C3	2	2						
25	1	129900-32030	O-RING, P20	1	1						
26	1	129900-32040	O-RING, P14	1	1						
27	1	129001-91810	BOLT, M8X70	6	6						
28	1	129001-91810	BOLT, M8X70	1	1						
29	1	24351-030750	O-RING, 1A3075	1	1						
30	1	26106-080162	BOLT, M8X 16 PLATED	1	1						
31	1	26106-080162	BOLT, M8X 16 PLATED	1	1						
32	1	26106-080202	BOLT, M8X 20 PLATED	3	3						
33	1	26106-080402	BOLT, M8X 40 PLATED	5	5						
34	1	26106-080402	BOLT, M8X 40 PLATED	5	5						
35	1	26106-080452	BOLT, M8X 45 PLATED	3	3						
36	1	26306-100002	NUT, M10	4	4						
37	1	124160-01751	COVER, FILLER	1	1						
38	1	24311-000320	O-RING, 1AP32.0	1	1						
39	1	121023-26070	COVER	1	1						
40	1	24321-000850	O-RING, 1AG85.0	1	1						
41	1	26106-100202	BOLT, M10X 20 PLATED	2	2						
42	1	977770-01212	GASKET, LIQUID	1	1						1
43	1	24311-000070	O-RING, 1AP7.0	1	1						
45	1	129900-01850	COVER ASSY,GEAR CASE	1	1						
46	2	129900-01870	SPONGE	1	1						

Remarks
 (1) OPTIONAL PART.

Fig.3. GEAR HOUSING

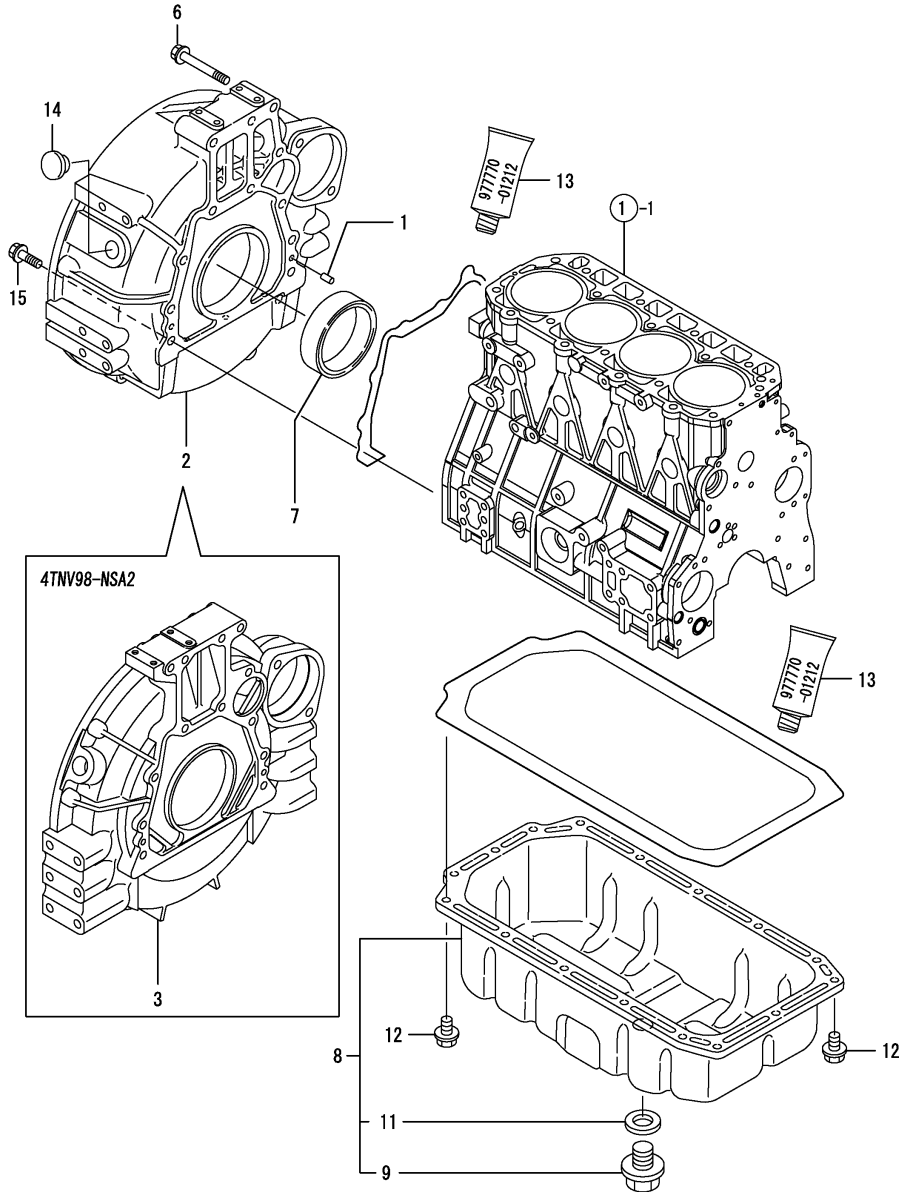


(A)=4TNV98-NSA
 (B)=4TNV98-NSA2
 (C)=4TNV98-GGE
 (D)=
 (E)=
 (F)=

No.	Lev.	Parts No.	Description	Qty						I	R
				(A)	(B)	(C)	(D)	(E)	(F)		
1	1	729907-01570	COVER ASSY,GEAR CASE			1					
4	2	129900-01780	SEAL, OIL			1					
5	1	129100-01580	PIN, M8X16			4					
6	1	129900-01740	COVER			1					
8	1	129907-01500	CASE, GEAR			1					
10	1	129900-32001	PUMP ASSY, OIL			1					
21	1	23876-010000	PLUG, R01			1					
22	1	26216-100302	STUD, M10X 30			4					
23	1	129900-32030	O-RING, P20			1					
24	1	129900-32040	O-RING, P14			1					
25	1	24311-000070	O-RING, 1AP7.0			1					
26	1	129001-91810	BOLT, M8X70			6					
27	1	129001-91810	BOLT, M8X70			1					
28	1	24351-030750	O-RING, 1A3075			1					
29	1	26106-080162	BOLT, M8X 16 PLATED			1					
30	1	26106-080162	BOLT, M8X 16 PLATED			1					
31	1	26106-080202	BOLT, M8X 20 PLATED			3					
32	1	26106-080402	BOLT, M8X 40 PLATED			5					
33	1	26106-080402	BOLT, M8X 40 PLATED			5					
34	1	26106-080452	BOLT, M8X 45 PLATED			3					
35	1	26306-100002	NUT, M10			4					
36	1	124160-01751	COVER, FILLER			1					
37	1	24311-000320	O-RING, 1AP32.0			1					
38	1	124240-01871	COVER			1					
39	1	124240-01883	GASKET			1					
40	1	26106-080162	BOLT, M8X 16 PLATED			4					
41	1	129150-91400	GEAR			1					
43	2	24341-000240	O-RING, 1AS24.0			1					
44	1	26106-060162	BOLT, M6X 16 PLATED			2					
45	1	129900-01850	COVER ASSY,GEAR CASE			1					
46	2	129900-01870	SPONGE			1					
47	1	26106-080162	BOLT, M8X 16 PLATED			3					
48	1	977770-01212	GASKET, LIQUID			1					1

Remarks
 (1) OPTIONAL PART.

Fig.4. FLYWHEEL HOUSING & OIL SUMP



(A)=4TNV98-NSA
 (B)=4TNV98-NSA2
 (C)=4TNV98-GGE

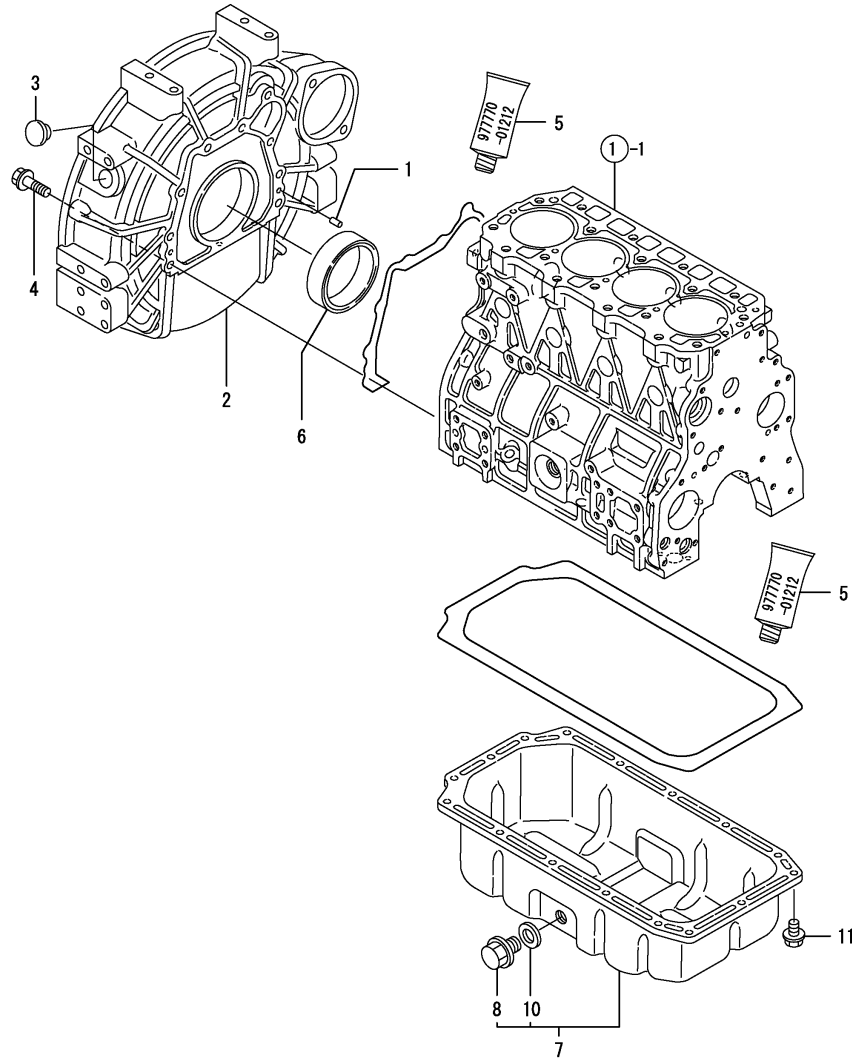
(D)=
 (E)=
 (F)=

No.	Lev.	Parts No.	Description	Q'ty						I	R
				(A)	(B)	(C)	(D)	(E)	(F)		
1	1	129100-01580	PIN, M8X16	2	2						
2	1	129955-01600	HOUSING, FLYWHEEL	1							
3	1	129900-01620	HOUSING, FLYWHEEL		1						
6	1	26206-100702	BOLT, M10X 70 PLATED	3	4						
7	1	124411-01780	SEAL, HTC95X115X12	1	1						
8	1	129916-01710	SUMP ASSY, OIL	1	1						
9	2	119640-01640	PLUG, DRAIN M22	1	1						
11	2	22190-220002	WASHER, SEAL 22	1	1						
12	1	26106-080122	BOLT, M8X 12 PLATED	16	16						
13	1	977770-01212	GASKET, LIQUID	1	1						1
14	1	119620-01750	CAP	1	1						
15	1	26206-100352	BOLT, M10X 35 PLATED	9	9						

Remarks
 (1) OPTIONAL PART.

Fig.5. FLYWHEEL HOUSING & OIL SUMP

4TNV98-GGE



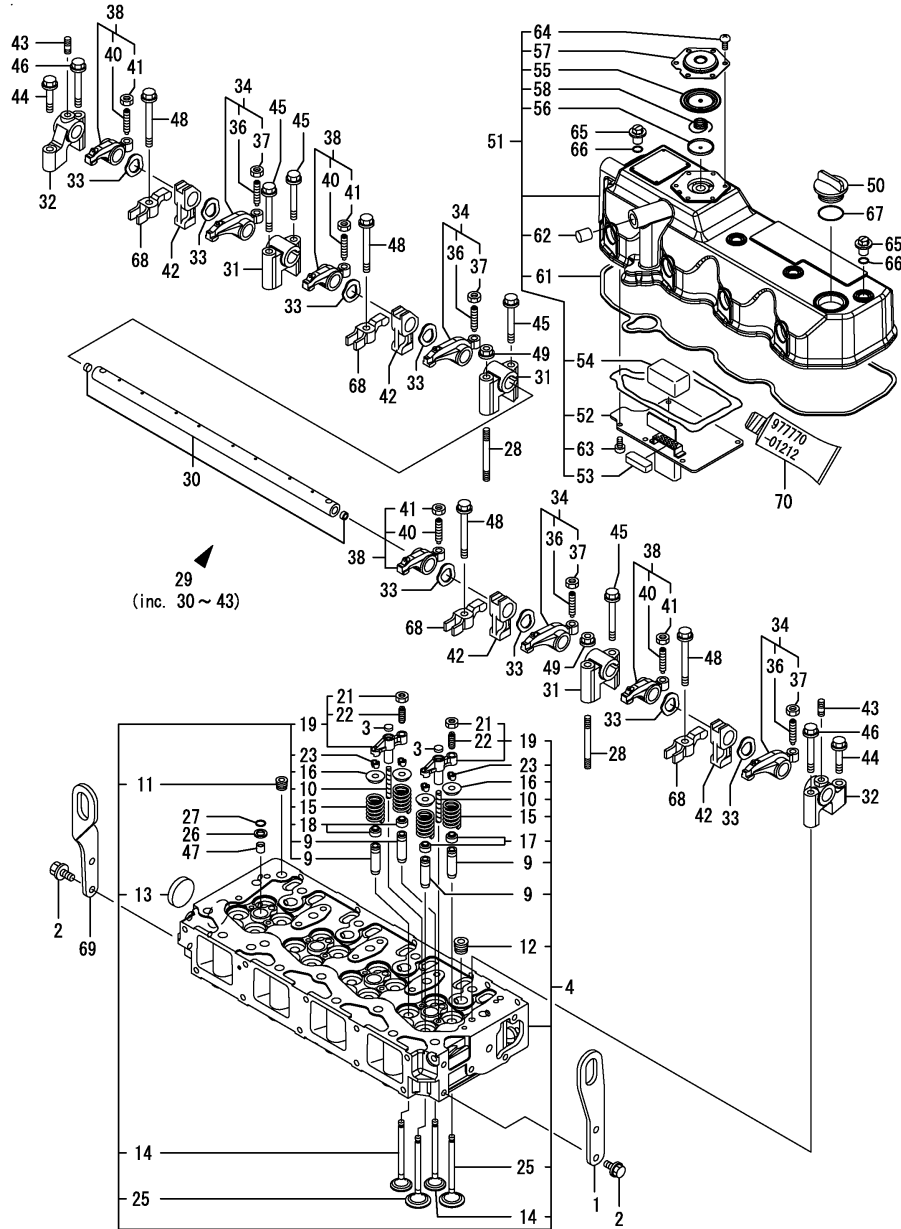
(A)=4TNV98-NSA
(B)=4TNV98-NSA2
(C)=4TNV98-GGE

(D)=
(E)=
(F)=

No.	Lev.	Parts No.	Description	Q'ty						I	R
				(A)	(B)	(C)	(D)	(E)	(F)		
1	1	129100-01580	PIN, M8X16			2					
2	1	129915-01610	HOUSING, FLYWHEEL			1					
3	1	119000-01840	PLUG, RUBBER			1					
4	1	26206-100352	BOLT, M10X 35 PLATED			9					
5	1	977770-01212	GASKET, LIQUID			1					1
6	1	124411-01780	SEAL, HTC95X115X12			1					
7	1	129982-01710	SUMP ASSY, OIL			1					
8	2	119640-01640	PLUG, DRAIN M22			1					
10	2	22190-220002	WASHER, SEAL 22			1					
11	1	26106-080122	BOLT, M8X 12 PLATED			16					

Remarks
(1) OPTIONAL PART.

Fig.6. CYLINDER HEAD & BONNET



(A)=4TNV98-NSA
(B)=4TNV98-NSA2
(C)=4TNV98-GGE

(D)=
(E)=
(F)=

No.	Lev.	Parts No.	Description	Q'ty						I	R
				(A)	(B)	(C)	(D)	(E)	(F)		
1	1	129907-07900	LIFTER	1	1	1					
2	1	26106-080162	BOLT, M8X 16 PLATED	4	4	4					
3	1	123907-11550	SEAT, VALVE BRIDGE	8	8	8					
4	1	129907-11700	HEAD ASSY, CYLINDER	1	1	1					
9	2	129907-11800	GUIDE, VALVE	16	16	16					1
10	2	123907-11820	GUIDE	8	8	8					
11	2	23876-020000	PLUG, R02	1	1	1					
12	2	23876-030000	PLUG, R03	4	4	4					
13	2	27241-400000	PLUG, 40	1	1	1					
14	2	129907-11110	VALVE, EXHAUST	8	8	8					
15	2	129907-11120	SPRING, VALVE	16	16	16					
16	2	119620-11180	RETAINER, SPRING	16	16	16					
17	2	124160-11340	SEAL, VALVE STEM	8	8	8					
18	2	124950-11340	SEAL, VALVE STEM	8	8	8					
19	2	129907-11510	BRIDGE ASSY, VALVE	8	8	8					
21	3	129150-11750	NUT, M8	8	8	8					
22	3	123907-11830	ADJUSTER	8	8	8					
23	2	27310-070001	COTTER, 7	16	16	16					
25	2	129907-11100	VALVE, INTAKE	8	8	8					
26	1	119625-11880	SEAT, NOZZLE	4	4	4					
27	1	24311-000120	O-RING, 1AP12.0	4	4	4					
28	1	119593-11301	STUD, M8X80	2	2	2					
29	1	129907-11341	SUPPORT ASSY, ARM	1	1	1					
30	2	129907-11250	SHAFT, ROCKER ARM	1	1	1					
31	2	129907-11260	SUPPORT, ROCKER ARM	3	3	3					
32	2	129907-11270	SUPPORT, ROCKER ARM	2	2	2					
33	2	123907-11280	WASHER	8	8	8					
34	2	129907-11650	ARM, ROCKER	4	4	4					
36	3	129150-11230	SCREW, VALVE ADJUST	4	4	4					
37	3	129150-11750	NUT, M8	4	4	4					
38	2	129907-11660	ARM, ROCKER	4	4	4					
40	3	129150-11230	SCREW, VALVE ADJUST	4	4	4					
41	3	129150-11750	NUT, M8	4	4	4					
42	2	129907-11920	RETAINER	4	4	4					
43	2	26226-080222	STUD, M8X 22	2	2	2					
44	1	26106-080402	BOLT, M8X 40 PLATED	2	2	2					
45	1	26106-080602	BOLT, M8X 60 PLATED	4	4	4					
46	1	26106-080602	BOLT, M8X 60 PLATED	2	2	2					
47	1	119802-11870	PROTECTOR, NOZZLE	4	4	4					
48	1	129907-11950	BOLT, M8X75	4	4	4					
49	1	26306-080002	NUT, M8	2	2	2					
50	1	124160-01751	COVER, FILLER	1	1	1					
51	1	129907-11320	BONNET ASSY, HEAD	1	1	1					
52	2	129907-03010	PLATE	1	1	1					
53	2	129907-03060	BAFFLE, BREATHER	1	1	1					
54	2	129907-03070	BAFFLE, BREATHER	1	1	1					
55	2	123907-03100	DIAPHRAGM	1	1	1					
56	2	123907-03110	PLATE	1	1	1					
57	2	123907-03120	PLATE, BREATHER	1	1	1					
58	2	123907-03140	SPRING, DIAPHRAGM	1	1	1					
61	2	129907-11310	GASKET, BONNET	1	1	1					

Remarks
(1) REPAIR PART.
(2) OPTIONAL PART.

Fig.7. SUCTION MANIFOLD

(A)=4TNV98-NSA
 (B)=4TNV98-NSA2
 (C)=4TNV98-GGE
 (D)=
 (E)=
 (F)=

No.	Lev.	Parts No.	Description	Qty						I	R
				(A)	(B)	(C)	(D)	(E)	(F)		
1	1	129944-12110	MANIFOLD, AIR INTAKE	1	1	1					
2	1	129907-12110	GASKET, MANIFOLD	1	1	1					
3	1	26106-080452	BOLT, M8X 45 PLATED	8	8	8					
4	1	26106-080802	BOLT, M8X 80 PLATED	2	2	2					
5	1	121850-77021	GASKET	1	1	1					
6	1	129915-77050	HEATER	1	1	1					
7	1	26106-080352	BOLT, M8X 35 PLATED	4	4	4					

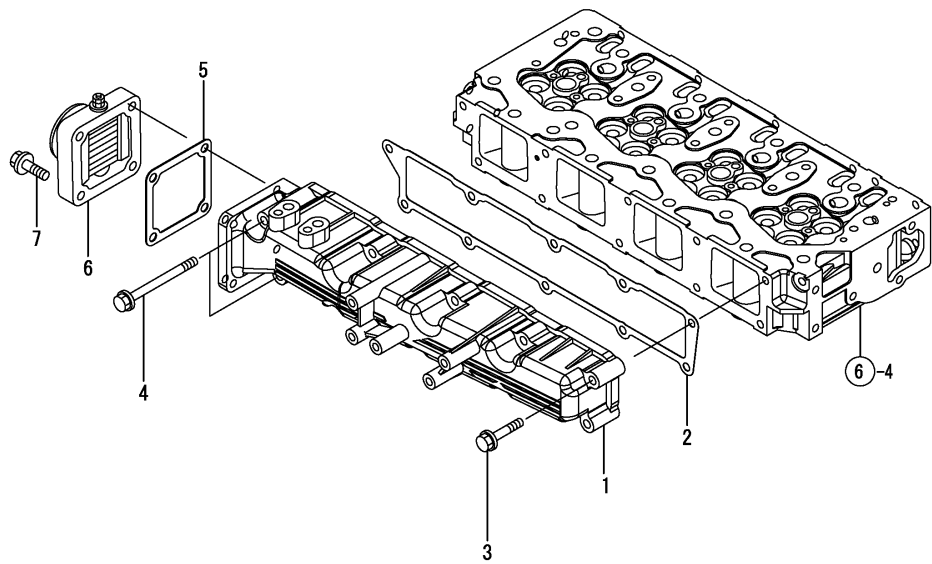


Fig.8. EXHAUST MANIFOLD

(A)=4TNV98-NSA
(B)=4TNV98-NSA2
(C)=4TNV98-GGE
(D)=
(E)=
(F)=

No.	Lev.	Parts No.	Description	Q'ty						I	R
				(A)	(B)	(C)	(D)	(E)	(F)		
1	1	129907-13200	MANIFOLD, EXHAUST	1	1	1					
2	1	129930-13200	GASKET, SILENCER	1	1	1					
3	1	129900-13251	GASKET	1	1	1					
4	1	123900-13610	STUD, M8X80	2	2	2					
5	1	123900-13630	BOLT, M8X80	6	6	6					
6	1	119131-18320	STUD, M8X22	4	4	4					
7	1	26306-080002	NUT, M8	2	2	2					

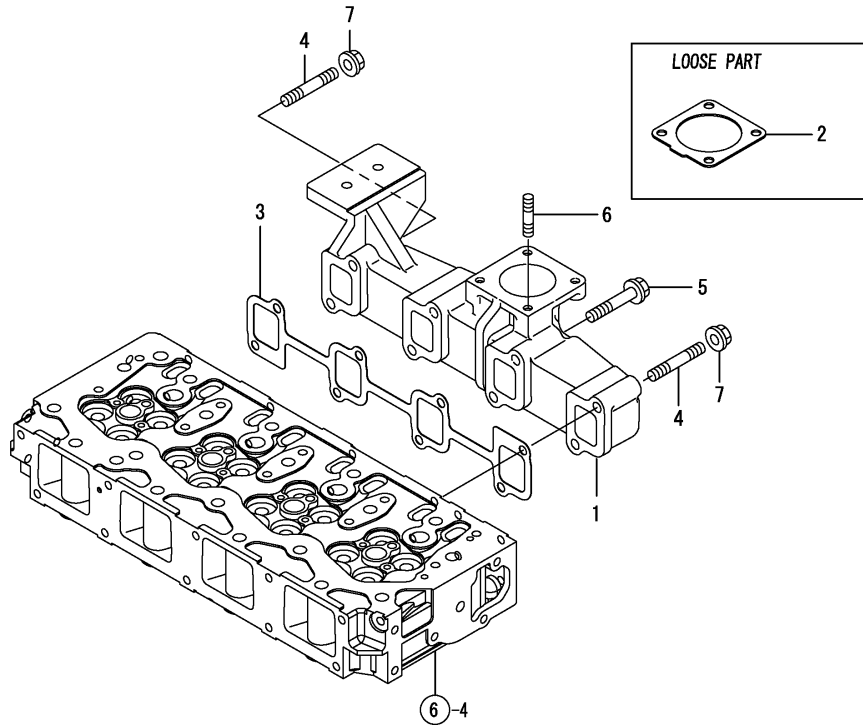
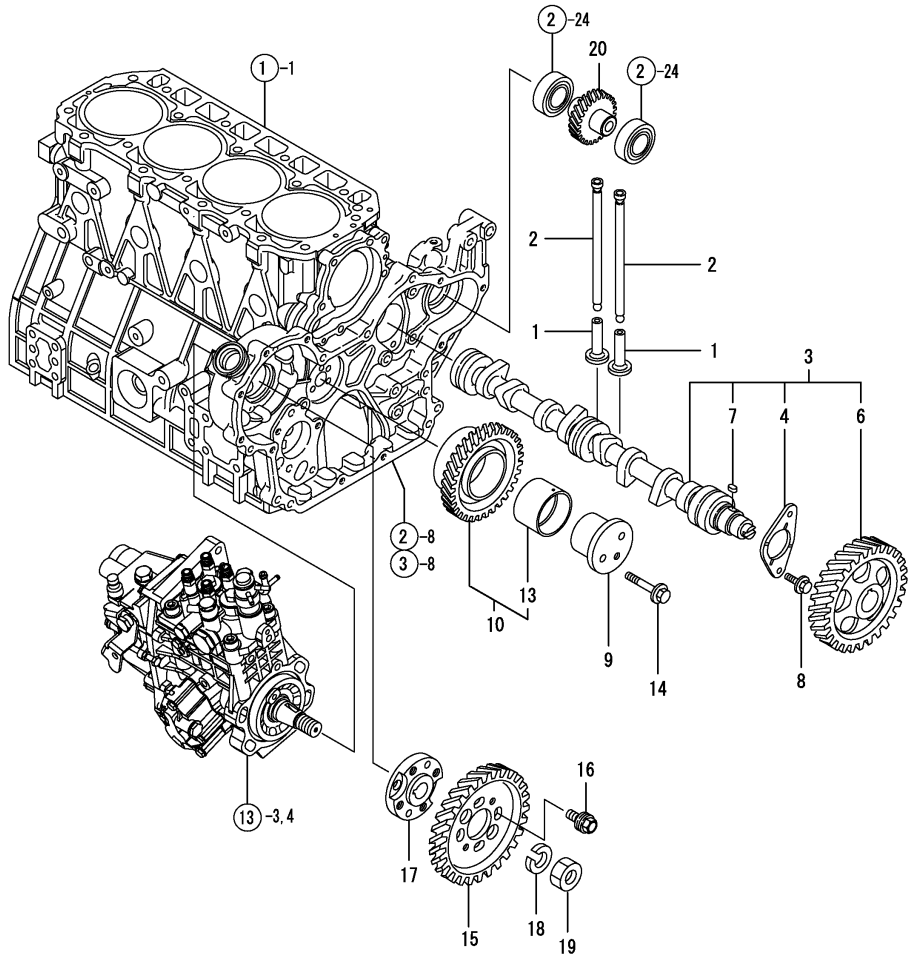


Fig.9. CAMSHAFT & DRIVING GEAR



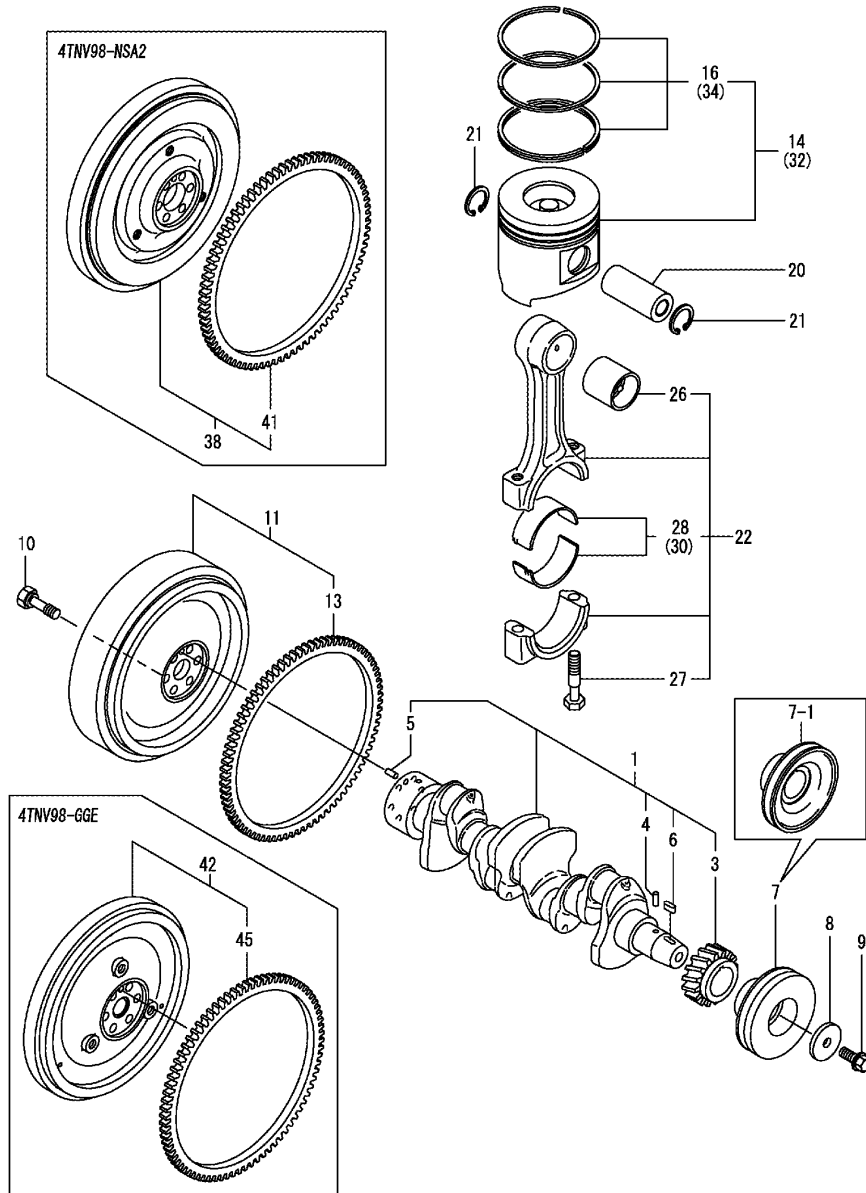
(A)=4TNV98-NSA
 (B)=4TNV98-NSA2
 (C)=4TNV98-GGE

(D)=
 (E)=
 (F)=

No.	Lev.	Parts No.	Description	Qty						I	R
				(A)	(B)	(C)	(D)	(E)	(F)		
1	1	129150-14200	TAPPET	8	8	8					
2	1	129907-14400	ROD, PUSH	8	8	8					
3	1	129907-14581	CAMSHAFT ASSY	1	1	1					
3-1	1	129908-14581	CAMSHAFT ASSY	1	1	1					N
		(A=EZZZZZ) (B=EZZZZZ) (C=EZZZZZ)									
4	2	129150-02450	BEARING, THRUST	1	1	1					
6	2	129900-14100	GEAR, CAMSHAFT	1	1	1					
7	2	22512-070140	KEY, 7X 14	1	1	1					
8	1	26106-080162	BOLT, M8X 16 PLATED	2	2	2					
9	1	123900-25060	SHAFT, IDLE GEAR	1	1	1					
10	1	129900-25100	GEAR ASSY, IDLE	1	1	1					
13	2	129150-25920	BUSH, IDLE GEAR	1	1	1					1
14	1	26106-080552	BOLT, M8X 55 PLATED	3	3	3					
15	1	123907-25909	GEAR, PUMP	1	1	1					
16	1	129953-25300	BOLT	4	4	4					
17	1	158563-51150	FLANGE	1	1	1					
18	1	22217-180000	WASHER, SPRING 18	1	1	1					
19	1	26776-180002	NUT, LOCK M18	1	1	1					
20	1	129980-26200	GEAR, PUMP	1	1						

Remarks
 (1) REPAIR PART.

Fig.10. CRANKSHAFT & PISTON



(A)=4TNV98-NSA
(B)=4TNV98-NSA2
(C)=4TNV98-GGE

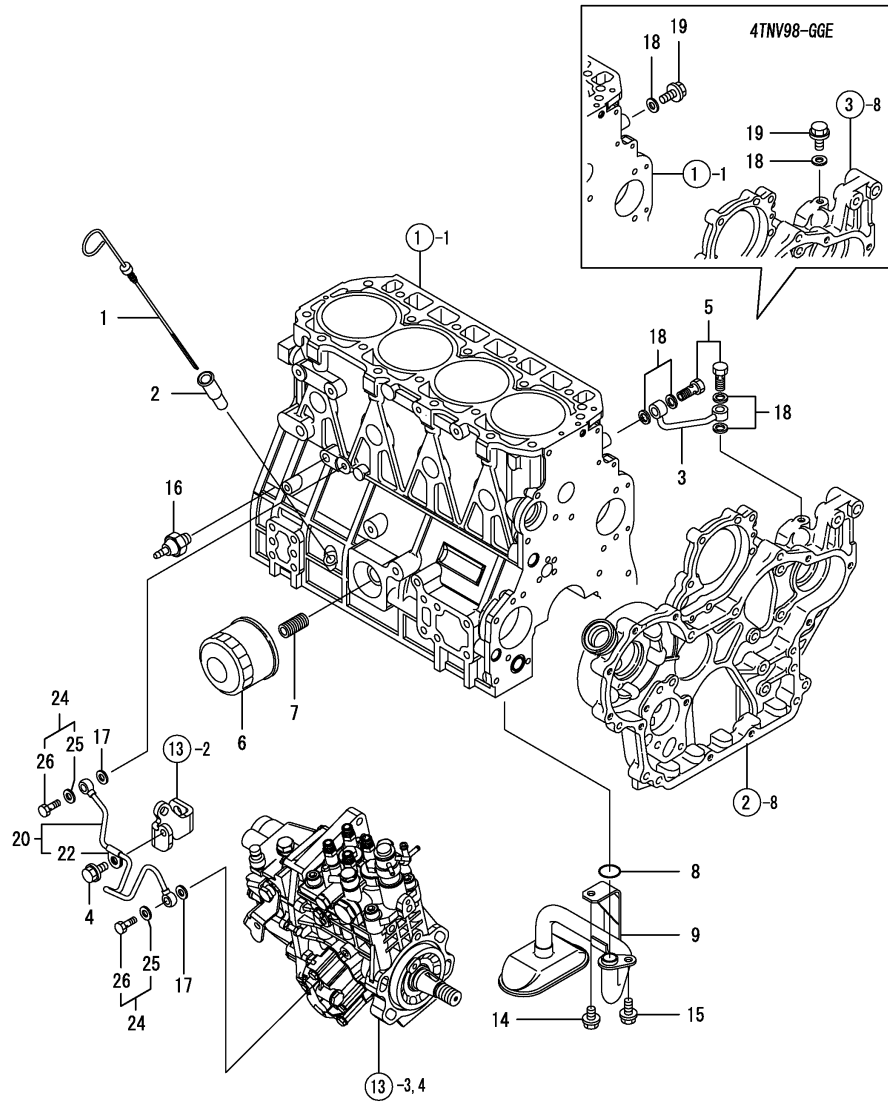
(D)=
(E)=
(F)=

No.	Lev.	Parts No.	Description	Qty						I	R
				(A)	(B)	(C)	(D)	(E)	(F)		
1	1	129902-21000	CRANKSHAFT ASSY	1	1	1					
3	2	129900-21200	GEAR, CRANKSHAFT	1	1	1					
4	2	121850-21290	PIN, M10X22	1	1	1					
5	2	121850-21920	KEY, 7X 14	1	1	1					
6	2	22512-070140	V-PULLEY, 130	1	1	1					
7	1	129907-21660	V-PULLEY, 130	1	1	1					
7-1	1	129900-21660	V-PULLEY, 130	1	1	1					R
		(A=EXXXXX) (B=EXXXXX) (C=EXXXXX)									
8	1	129900-21640	WASHER	1	1	1					
9	1	121850-21680	BOLT, FLYWHEEL	1	1	1					
10	1	121850-21130	BOLT, FLYWHEEL	6	6	6					
11	1	129955-21590	FLYWHEEL ASSY	1							
13	2	129900-21600	GEAR, RING	1							
14	1	129907-22090	PISTON ASSY, 18.5	4	4	4					
16	2	129907-22050	RING SET, PISTON	4	4	4					
20	1	120130-22301	PIN, PISTON	4	4	4					
21	1	22252-000300	RING, 30	8	8	8					
22	1	129900-23000	ROD ASSY, CONNECTING	4	4	4					
26	2	129900-23910	BEARING, PISTON PIN	4	4	4					1
27	2	129900-23200	BOLT, CONNECTING ROD	8	8	8					
28	2	129900-23600	BEARING, CRANK PIN	4	4	4					
30	1	129900-23610	BEARING, 0.25 US	4	4	4					2
32	1	729907-22910	PISTON ASSY, 0.25 OS	4	4	4					3
34	2	729907-22950	RING SET, 0.25 OS	4	4	4					3
38	1	129953-21570	FLYWHEEL ASSY		1						
41	2	129900-21600	GEAR, RING		1						
42	1	129920-21580	FLYWHEEL			1					
45	2	127410-21480	GEAR, RING Z=129			1					

Remarks

- (1) REPAIR PART.
- (2) UNDER-SIZE(U.S=0.25)PART.
- (3) OVER-SIZE(O.S=0.25)PART.

Fig.11. LUB.OIL SYSTEM



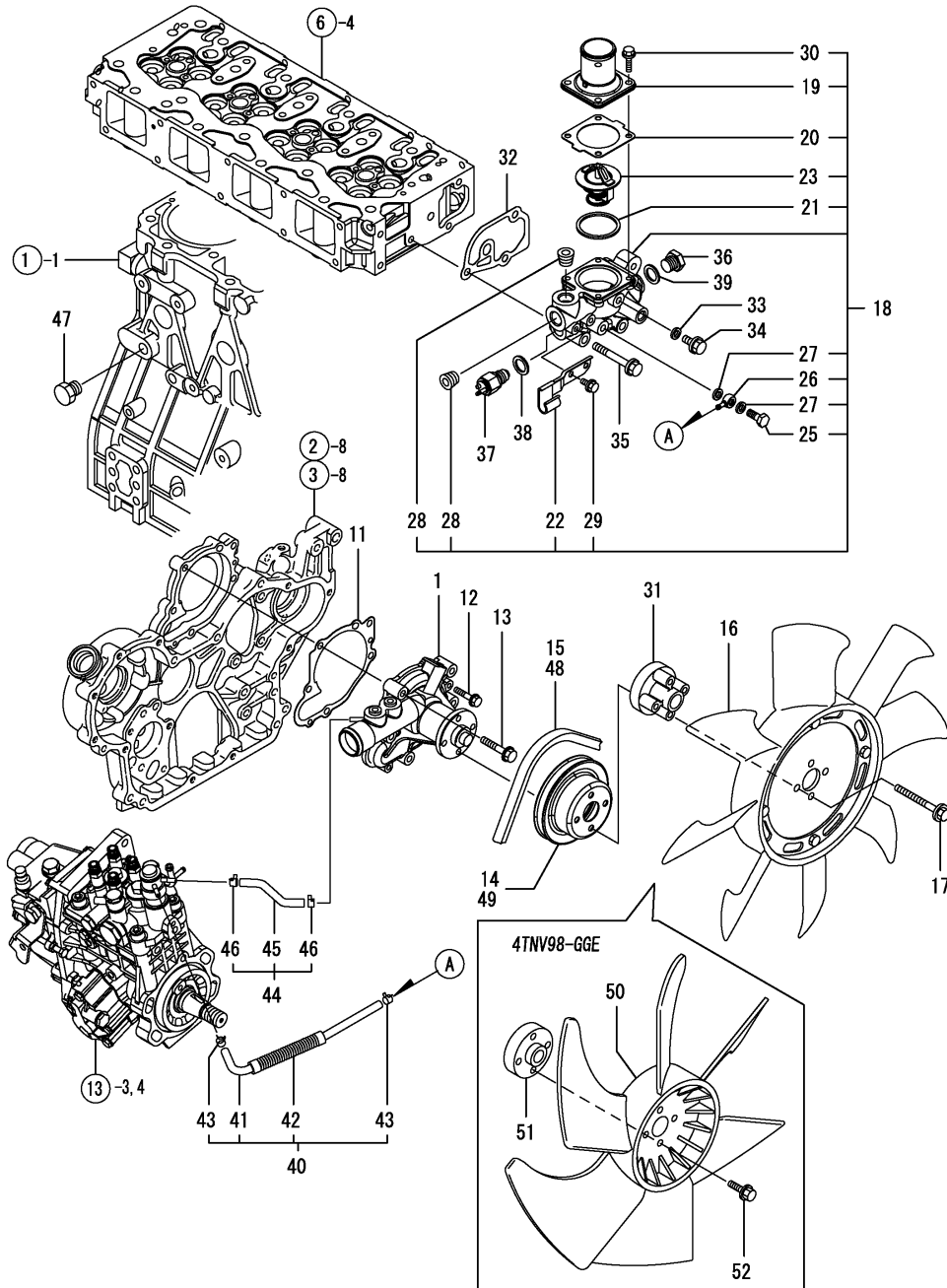
(A)=4TNV98-NSA
 (B)=4TNV98-NSA2
 (C)=4TNV98-GGE

(D)=
 (E)=
 (F)=

No.	Lev.	Parts No.	Description	Qty						I	R
				(A)	(B)	(C)	(D)	(E)	(F)		
1	1	129953-34830	DIPSTICK, OIL	1	1	1					
2	1	121520-34810	GUIDE, DIPSTICK	1	1	1					
3	1	129930-39050	PIPE, OIL	1	1						
4	1	26106-080122	BOLT, M8X 12 PLATED	1	1	1					
5	1	105010-39140	BOLT, PIPE JOINT	2	2						
6	1	129150-35153	FILTER 80X80L	1	1	1					1
7	1	119000-35140	BOLT, FILTER	1	1	1					
8	1	129900-32030	O-RING, P20	1	1	1					
9	1	129953-35000	PIPE ASSY, OIL INLET	1	1	1					
14	1	26106-080122	BOLT, M8X 12 PLATED	1	1	1					
15	1	26106-080162	BOLT, M8X 16 PLATED	1	1	1					
16	1	114250-39450	SWITCH, 0.5KG	1	1	1					
17	1	22190-080002	WASHER, SEAL 6	2	2	2					
18	1	22190-080002	WASHER, SEAL 6	4	4	2					
19	1	26106-080122	BOLT, M8X 12 PLATED			2					
20	1	129907-39061	PIPE ASSY, OIL	1	1	1					
22	2	123907-39500	RETAINER	1	1	1					
24	1	129005-59830	BOLT ASSY, JOINT M8	2	2	2					
25	2	22190-080002	WASHER, SEAL 6	2	2	2					
26	2	23857-030000	BOLT, JOINT 3	2	2	2					

Remarks
 (1) REPAIR PART.

Fig.12. COOLING WATER SYSTEM

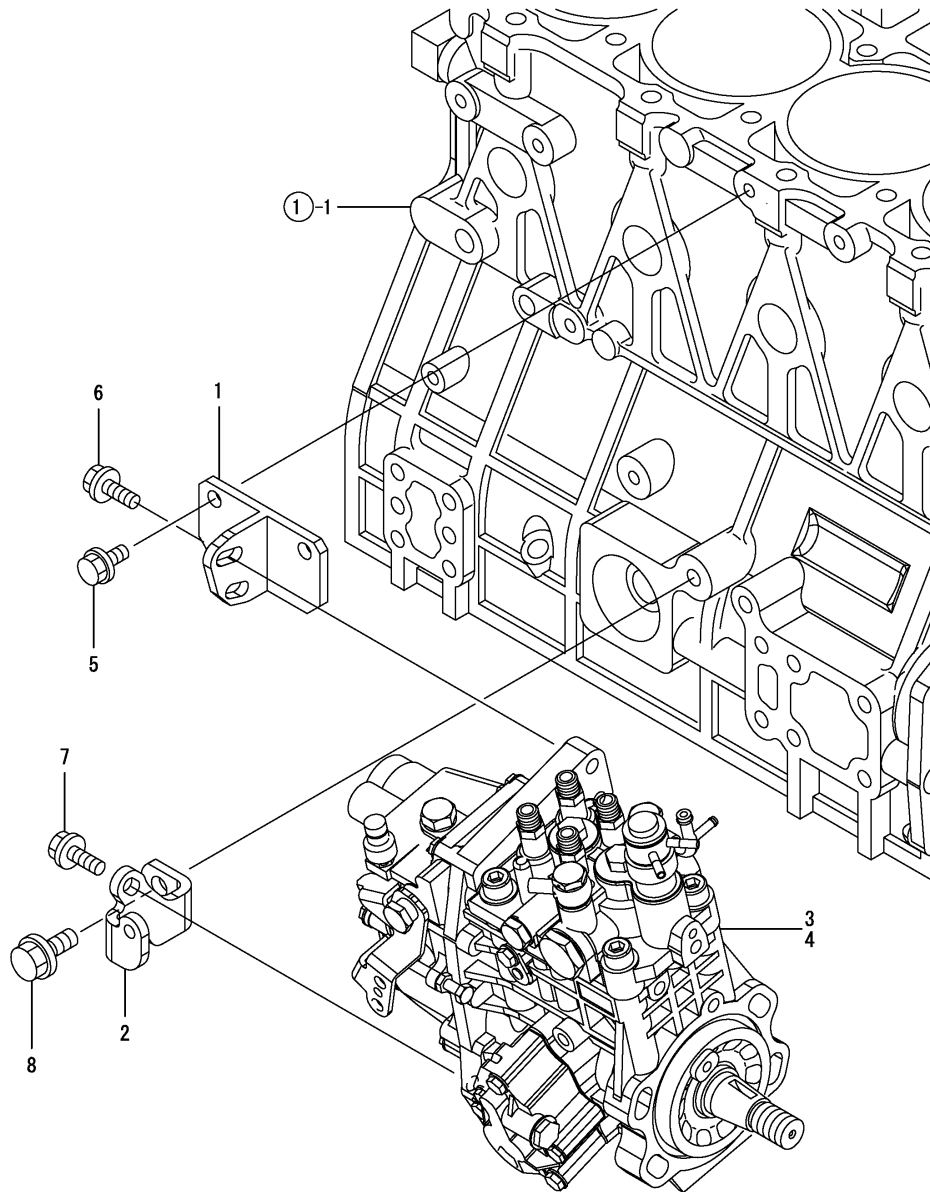


(A)=4TNV98-NSA
(B)=4TNV98-NSA2
(C)=4TNV98-GGE

(D)=
(E)=
(F)=

No.	Lev.	Parts No.	Description	Qty						I	R
				(A)	(B)	(C)	(D)	(E)	(F)		
1	1	129907-42000	PUMP ASSY, WATER	1	1	1					
11	1	129900-42020	GASKET, WATER PUMP	1	1	1					
12	1	26106-060302	BOLT, M6X 30 PLATED	2	2	2					
13	1	26106-080552	BOLT, M8X 55 PLATED	5	5	5					
14	1	129900-42450	V-PULLEY	1	1						
15	1	25132-004150	V-BELT, A41.5	1	1						
16	1	129920-44740	FAN, COOLING	1	1						
17	1	26106-080552	BOLT, M8X 55 PLATED	4	4						
18	1	129907-49800	CASE ASSY,THERMOSTAT	1	1	1					
19	2	129916-49530	COVER, THERMOSTAT	1	1	1					
20	2	121850-49540	GASKET, THERMOSTAT	1	1	1					
21	2	121850-49550	GASKET, THERMOSTAT	1	1	1					
22	2	129907-49730	RETAINER, PIPE	1	1	1					
23	2	121850-49810	THERMOSTAT, 71	1	1	1					
25	2	105582-59150	BOLT, PIPE JOINT	1	1	1					
26	2	23387-040800	JOINT, HOSE 4-8	1	1	1					
27	2	23414-080000	GASKET, 8X1.0	2	2	2					
28	2	23875-030000	PLUG, R03	2	2	2					
29	2	26106-060122	BOLT, M6X 12 PLATED	2	2	2					
30	2	26106-060202	BOLT, M6X 20 PLATED	4	4	4					
31	1	119141-44760	SPACER, FAN	1	1						
32	1	129900-49870	GASKET	1	1	1					
33	1	23414-080000	GASKET, 8X1.0	1	1	1					
34	1	26106-080122	BOLT, M8X 12 PLATED	1	1	1					
35	1	26106-080602	BOLT, M8X 60 PLATED	3	3	3					
36	1	121450-42450	PLUG, M16	1	1	1					
37	1	121250-44901	SWITCH, 110	1	1	1					
38	1	124465-44950	GASKET, 16	1	1	1					
39	1	124465-44950	GASKET, 16	1	1	1					
40	1	129907-49610	HOSE ASSY, WATER	1	1	1					
41	2	129907-49710	PIPE ASSY, WATER	1	1	1					
42	2	129907-49750	TUBE, CORRUGATED	1	1	1					
43	2	124722-59050	CLIP, HOSE 9	2	2	2					
44	1	129907-49620	HOSE ASSY, WATER	1	1	1					
45	2	129907-49720	PIPE ASSY, WATER	1	1	1					
46	2	124722-59050	CLIP, HOSE 9	2	2	2					
47	1	171056-49120	PLUG, DRAIN	1	1	1					
48	1	129052-42290	V-BELT, A40.5			1					
49	1	129900-42461	V-PULLEY			1					
50	1	129916-44740	FAN, COOLING D=430			1					
51	1	119130-44760	SPACER, FAN			1					
52	1	26106-080302	BOLT, M8X 30 PLATED			4					

Fig.13. FUEL INJECTION PUMP

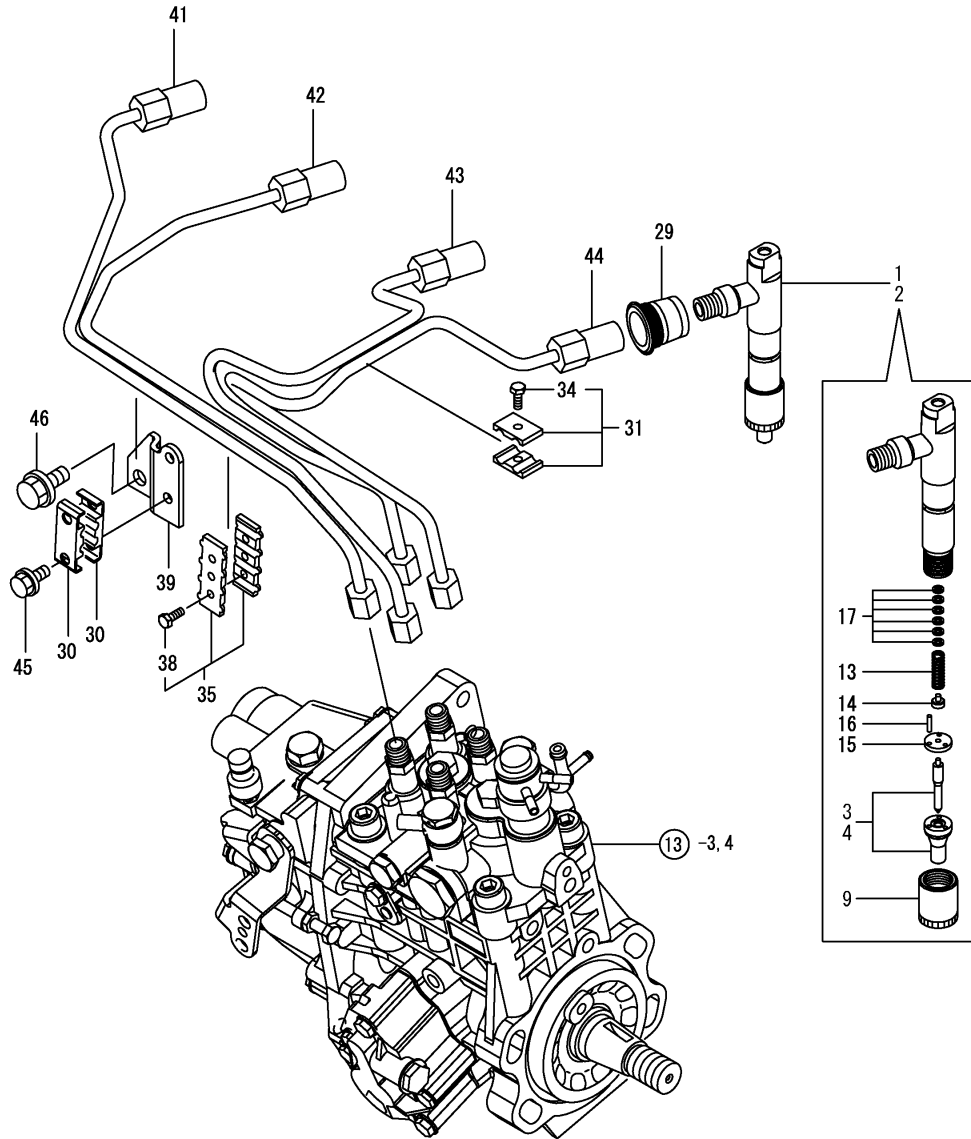


(A)=4TNV98-NSA
 (B)=4TNV98-NSA2
 (C)=4TNV98-GGE

(D)=
 (E)=
 (F)=

No.	Lev.	Parts No.	Description	Q'ty						I	R
				(A)	(B)	(C)	(D)	(E)	(F)		
1	1	129907-01950	RETAINER	1	1	1					
2	1	129907-01960	RETAINER	1	1	1					
3	1	729907-51320	PUMP ASSY, INJECTION	1	1						
4	1	729946-51390	PUMP ASSY, INJECTION						1		
5	1	26106-080162	BOLT, M8X 16 PLATED	2	2	2					
6	1	26106-080222	BOLT, M8X 22 PLATED	2	2	2					
7	1	26106-080222	BOLT, M8X 22 PLATED	1	1	1					
8	1	26106-100202	BOLT, M10X 20 PLATED	1	1	1					

Fig.14. FUEL INJECTION VALVE



(A)=4TNV98-NSA
 (B)=4TNV98-NSA2
 (C)=4TNV98-GGE

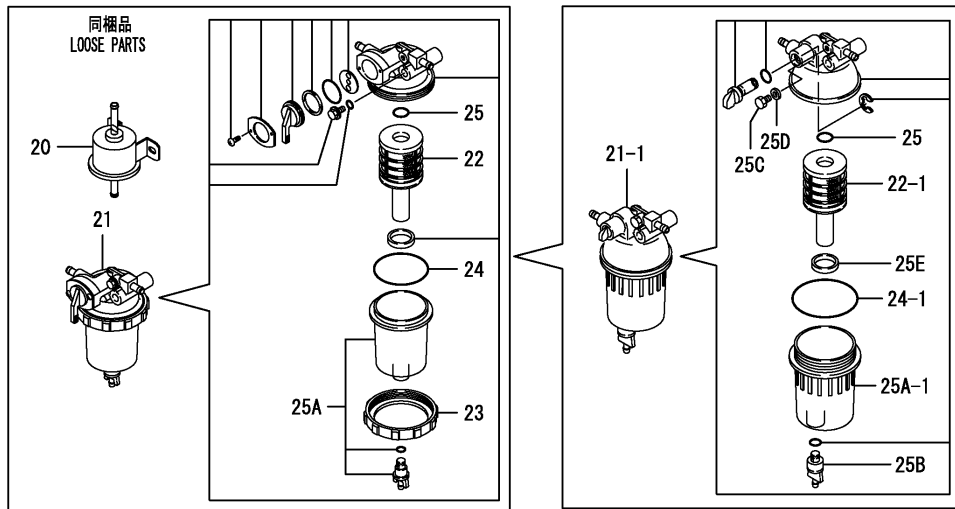
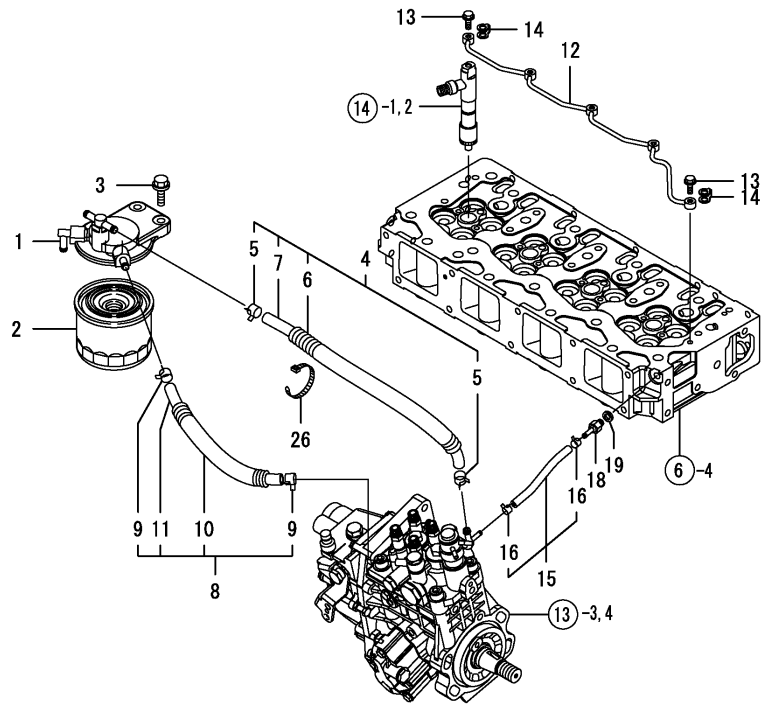
(D)=
 (E)=
 (F)=

No.	Lev.	Parts No.	Description	Q'ty						I	R
				(A)	(B)	(C)	(D)	(E)	(F)		
1	1	729907-53100	VALVE ASSY,INJECTION	4	4						
2	1	729946-53300	VALVE ASSY,INJECTION			4					
3	2	129907-53000	VALVE ASSY,INJECTION	4	4						
4	2	129937-53000	VALVE ASSY,INJECTION			4					
9	2	114250-53080	NUT, NOZZLE D16.95	4	4	4					
13	2	114250-53120	SPRING, NOZZLE	4	4	4					
14	2	114250-53130	SEAT, SPRING	4	4	4					
15	2	114250-53140	PLATE	4	4	4					
16	2	114250-53210	PIN	8	8	8					
17	2	114250-53400	SHIM SET	4	4	4					
29	1	123907-11601	SEAL	4	4	4					
30	1	122780-59100	RETAINER	2	2	2					
31	1	119305-59120	RETAINER, PIPE	1	1	1					
34	2	129150-59131	BOLT, M4X14	1	1	1					
35	1	129550-59120	RETAINER, PIPE	1	1	1					
38	2	129150-59131	BOLT, M4X14	2	2	2					
39	1	129907-59710	SUPPORT	1	1	1					
41	1	129907-59810	PIPE ASSY, INJECTION	1	1	1					
42	1	129907-59820	PIPE ASSY, INJECTION	1	1	1					
43	1	129907-59830	PIPE ASSY, INJECTION	1	1	1					
44	1	129907-59840	PIPE ASSY, INJECTION	1	1	1					
45	1	26106-060162	BOLT, M6X 16 PLATED	2	2	2					
46	1	26106-080182	BOLT, M8X 18 PLATED	1	1	1					

Fig.15. FUEL LINE

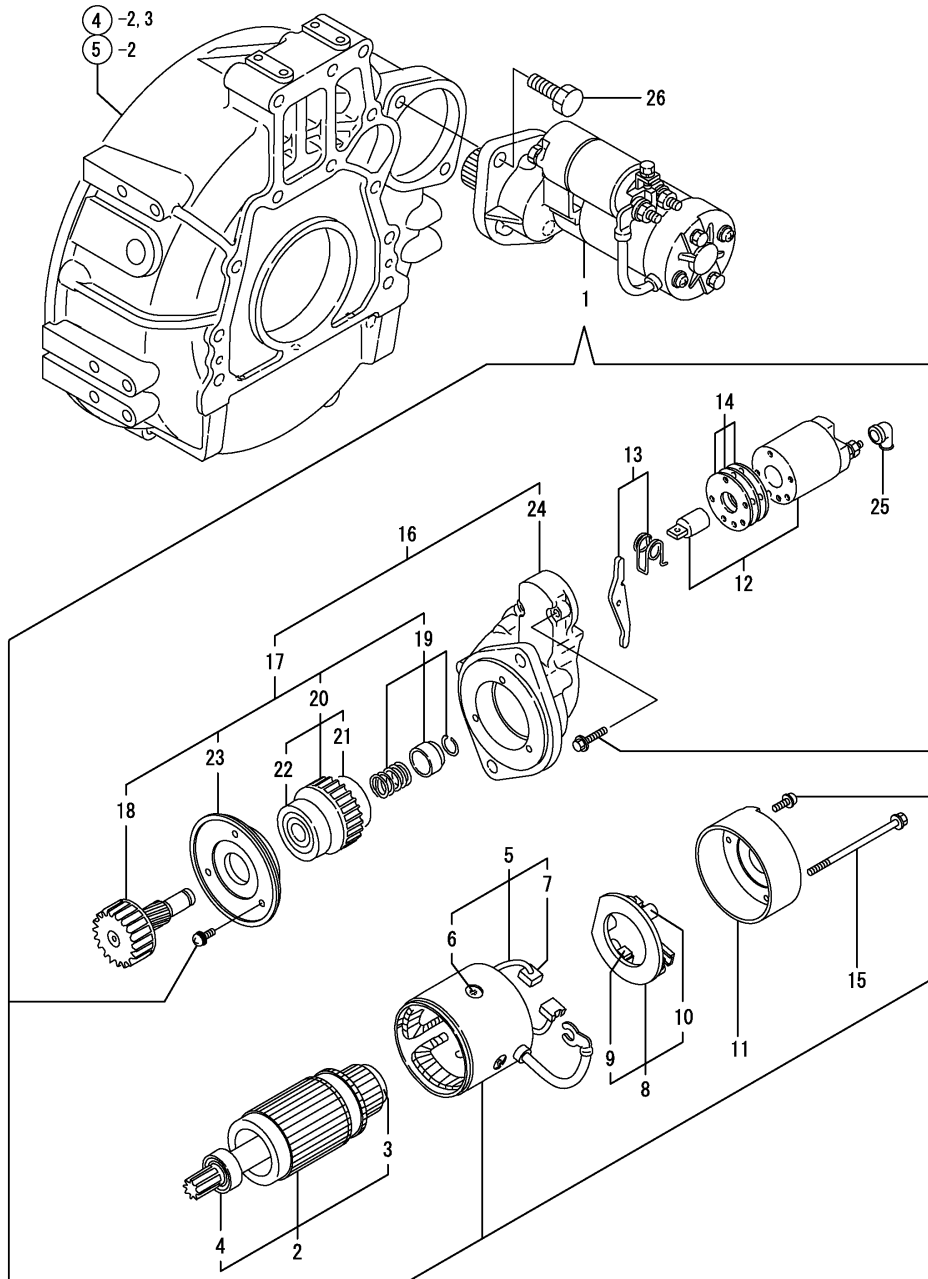
(A)=4TNV98-NSA
(B)=4TNV98-NSA2
(C)=4TNV98-GGE

(D)=
(E)=
(F)=



No.	Lev.	Parts No.	Description	Qty						I	R
				(A)	(B)	(C)	(D)	(E)	(F)		
1	1	129004-55610	BRACKET, FILTER	1	1	1					
2	1	119802-55800	FILTER, FUEL	1	1	1					
3	1	26106-080302	BOLT, M8X 30 PLATED	2	2	2					
4	1	129457-59010	PIPE ASSY, FUEL	1	1	1					
5	2	124766-59050	CLIP, HOSE 12	2	2	2					
6	2	129957-59120	TUBE, CORRUGATED	1	1	1					
7	2	105025-59750	PIPE, FUEL	1	1	1					
8	1	129981-59010	PIPE ASSY, FUEL	1	1	1					
9	2	124766-59050	CLIP, HOSE 12	2	2	2					
10	2	129950-59221	TUBE, CORRUGATED	1	1	1					
11	2	129980-59510	PIPE, FUEL	1	1	1					
12	1	129907-59140	PIPE ASSY, RETURN	1	1	1					
13	1	123907-59540	BOLT, PIPE JOINT M6	5	5	5					
14	1	123907-59550	GASKET	5	5	5					
15	1	129486-59551	PIPE ASSY, RETURN	1	1	1					
16	2	124722-59050	CLIP, HOSE 9	2	2	2					
18	1	123907-59560	JOINT	1	1	1					
19	1	22190-080002	WASHER, SEAL 6	1	1	1					
20	1	119225-52102	PUMP ASSY, FUEL FEED	1	1	1					
21	1	119802-55700	SEPARATOR ASSY	1	1	1					
21-1	1	129242-55700	SEPARATOR ASSY	1	1	1					N
		(A=*2008.08.) (B=*2008.08.) (C=*2008.08.)									
22	2	119802-55710	ELEMENT	1	1	1					
22-1	2	129242-55730	ELEMENT	1	1	1					S
		(A=*2008.08.) (B=*2008.08.) (C=*2008.08.)									
23	2	129100-55690	RING, RETAINING	1	1	1					Z
		(A=*2008.08.) (B=*2008.08.) (C=*2008.08.)									
24	2	24321-000650	O-RING, 1AG65.0	1	1	1					
24-1	2	24321-000750	O-RING, 1AG75.0	1	1	1					S
		(A=*2008.08.) (B=*2008.08.) (C=*2008.08.)									
25	2	24311-000160	O-RING, 1AP16.0	1	1	1					
25A	2	119802-55730	CUP ASSY	1	1	1					W
		(A=FROM 1ST) (B=FROM 1ST) (C=FROM 1ST)									
25A-1	2	129242-55720	CUP	1	1	1					S
		(A=*2008.08.) (B=*2008.08.) (C=*2008.08.)									
25B	2	129242-55740	PLUG, DRAIN	1	1	1					W
		(A=*2008.08.) (B=*2008.08.) (C=*2008.08.)									
25C	2	129242-55750	VALVE, AIR VENT	1	1	1					W
		(A=*2008.08.) (B=*2008.08.) (C=*2008.08.)									
25D	2	129242-55760	GASKET	1	1	1					W
		(A=*2008.08.) (B=*2008.08.) (C=*2008.08.)									
25E	2	129242-55770	FLOAT	1	1	1					W
		(A=*2008.08.) (B=*2008.08.) (C=*2008.08.)									
26	1	121750-59890	BAND, 140	1	1	1					

Fig.16. STARTING MOTOR

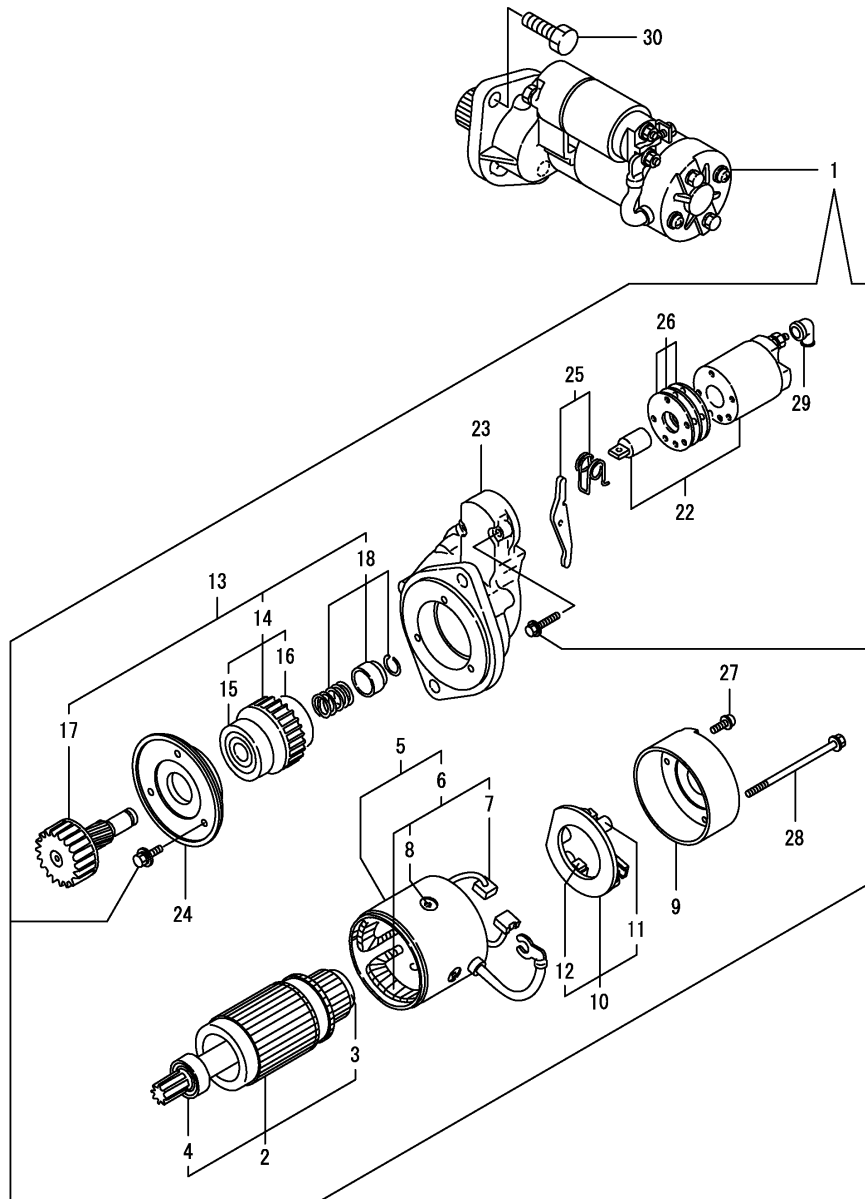


(A)=4TNV98-NSA
 (B)=4TNV98-NSA2
 (C)=4TNV98-GGE

(D)=
 (E)=
 (F)=

No.	Lev.	Parts No.	Description	Q'ty						I	R
				(A)	(B)	(C)	(D)	(E)	(F)		
1	1	129900-77010	STARTER(2.3KW	1	1	1					
2	2	129900-77400	ARMATURE ASSY	1	1	1					
3	3	X2114155110	BEARING, BALL	1	1	1					
4	3	X2114255110	BEARING, BALL	1	1	1					
5	2	129900-77440	COIL ASSY, FIELD	1	1	1					
6	3	171008-77450	SCREW	4	4	4					
7	3	129900-77450	BRUSH (+)	2	2	2					
8	2	129900-77480	HOLDER ASSY, BRASH	1	1	1					
9	3	129900-77450	BRUSH (+)	2	2	2					
10	3	X2130631300	SPRING, BRUSH	4	4	4					
11	2	129900-77460	COVER, REAR	1	1	1					
12	2	129900-77591	SWITCH ASSY,MAGNETIC	1	1	1					
13	2	129900-77620	SHIFT LEVER SET	1	1	1					
14	2	129900-77650	COVER ASSY, DUST	1	1	1					
15	2	129900-77640	BOLT, THROUGH	2	2	2					
16	2	129900-77700	GEAR CASE ASY	1	1	1					
17	3	129900-77510	PINION ASSY	1	1	1					
18	4	129900-77540	SHAFT, PINION	1	1	1					
19	4	129900-77550	STOPPER SET	1	1	1					
20	4	129900-77520	CLUTCH ASSY	1	1	1					
21	4	171008-77730	BALL BEARING (3)	1	1	1					
22	4	171008-77740	BALL BEARING (4)	1	1	1					
23	4	129900-77610	RETAINER, BEARING	1	1	1					
24	3	129900-77710	HOUSING, GEARS	1	1	1					
25	2	171008-77750	COVER, M TERMINAL	1	1	1					
26	1	26116-120302	BOLT, M12X 30 PLATED	2	2	2					

Fig.19. (16A)STARTING MOTOR

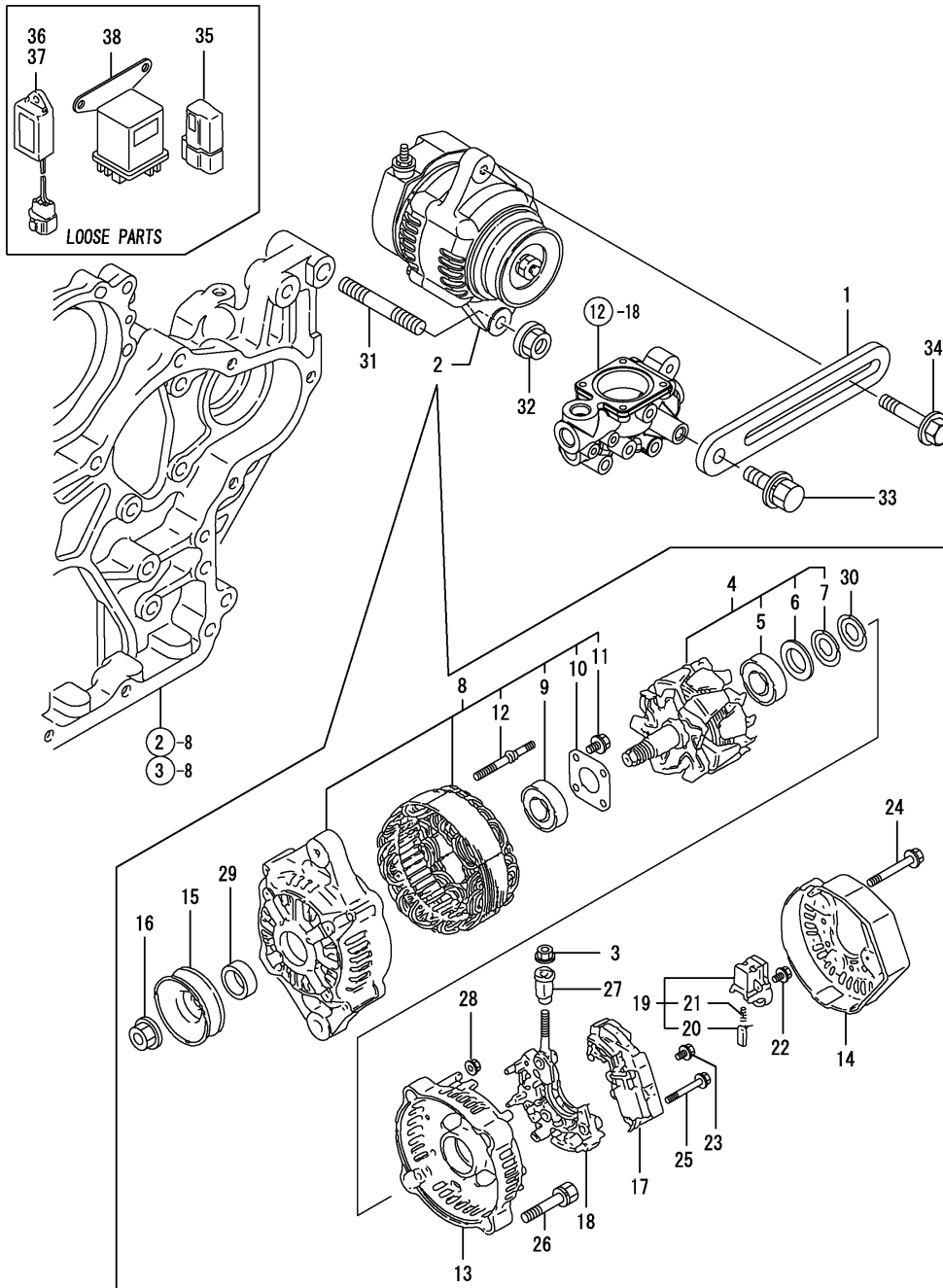


(A)=4TNV98-NSA
 (B)=4TNV98-NSA2
 (C)=4TNV98-GGE

(D)=
 (E)=
 (F)=

No.	Lev.	Parts No.	Description	Qty						I	R
				(A)	(B)	(C)	(D)	(E)	(F)		
1	1	129900-77040	STARTER, 12V 2.3KW	1	1	1					
2	2	129900-77120	ARMATURE ASSY	1	1	1					
3	3	171008-77410	BEARING	1	1	1					
4	3	171008-77420	BEARING	1	1	1					
5	2	129900-77130	YOKE ASSY	1	1	1					
6	3	129900-77140	COIL ASSY, FIELD	1	1	1					
7	4	129900-77450	BRUSH (+)	2	2	2					
8	4	171008-77450	SCREW	4	4	4					
9	2	129900-77150	COVER	1	1	1					
10	2	129900-77160	HOLDER ASSY, BRUSH	1	1	1					
11	3	X2130631300	SPRING, BRUSH	4	4	4					
12	3	129900-77450	BRUSH (+)	2	2	2					
13	2	129900-77170	CLUTCH	1	1	1					
14	3	129900-77180	CLUTCH ASSY	1	1	1					
15	4	X2114955020	BALL BEARING	1	1	1					
16	4	129900-77190	BEARING, BALL	1	1	1					
17	3	129900-77270	SHAFT, PINION	1	1	1					
18	3	171008-77670	STOPPER SET, PINION	1	1	1					
22	2	129900-77280	SWITCH ASSY	1	1	1					
23	2	129900-77290	CASE, GEAR	1	1	1					
24	2	129900-77380	RETAINER, BEARING	1	1	1					
25	2	129900-77390	LEVER ASSY, SHIFT	1	1	1					
26	2	129900-77420	COVER KIT	1	1	1					
27	2	129900-77430	SCREW, M4X10	2	2	2					
28	2	129685-77640	BOLT, THROUGH	2	2	2					
29	2	171008-77750	COVER, M TERMINAL	1	1	1					
30	1	26116-120302	BOLT, M12X 30 PLATED	2	2	2					

Fig.17. GENERATOR



(A)=4TNV98-NSA
 (B)=4TNV98-NSA2
 (C)=4TNV98-GGE

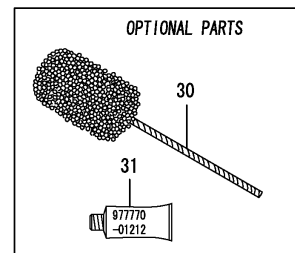
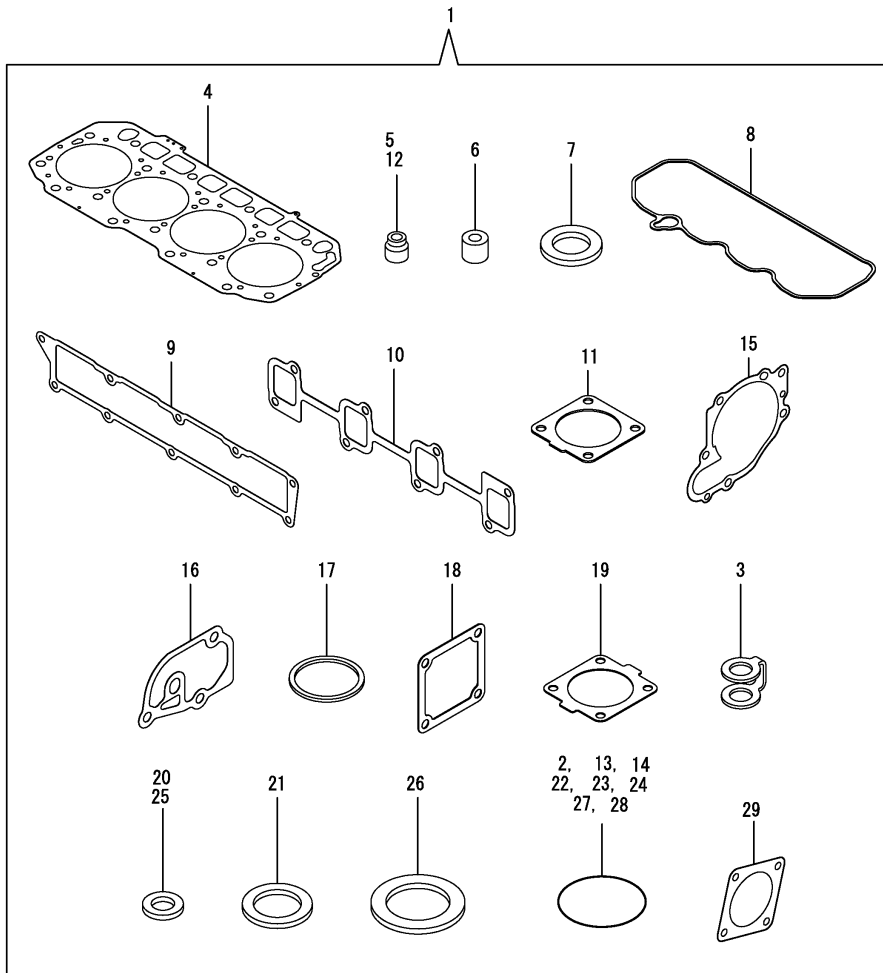
(D)=
 (E)=
 (F)=

No.	Lev.	Parts No.	Description	Q'ty						I	R
				(A)	(B)	(C)	(D)	(E)	(F)		
1	1	129900-77330	ADJUSTER	1	1	1					
2	1	129423-77200	GENERATOR, 12V-40A	1	1	1					
3	2	X9490561001	NUT	1	1	1					
4	2	119620-77380	ROTOR ASSY	1	1	1					
5	3	119620-79240	BALL BEARING	1	1	1					
6	3	119620-79250	COVER, BEARING	1	1	1					
7	3	119620-79360	WASHER, THRUST	1	1	1					
8	2	119620-77421	FRAME ASSY, DRIVE	1	1	1					
9	3	119620-79200	BALL BEARING	1	1	1					
10	3	119620-79210	PLATE	1	1	1					
11	3	119620-79220	SCREW	4	4	4					
12	3	119620-79230	BOLT, STUD	2	2	2					
13	2	119620-77440	FLAME ASSY, REAR	1	1	1					
14	2	129240-79300	COVER	1	1	1					
15	2	119620-77461	PULLEY	1	1	1					
16	2	119620-77471	NUT	1	1	1					
17	2	129423-77710	REGULATOR ASSY	1	1	1					
18	2	119620-79260	HOLDER	1	1	1					
19	2	119620-79270	HOLDER, BRUSH	1	1	1					
20	3	119620-77480	BRUSH ASSY	2	2	2					
21	3	119620-79280	SPRING	2	2	2					
22	2	119620-79290	SCREW	1	1	1					
23	2	119620-79300	SCREW	1	1	1					
24	2	119620-79310	BOLT	3	3	3					
25	2	119620-79320	SCREW W/WASHER	2	2	2					
26	2	119620-79330	BOLT	2	2	2					
27	2	119620-79340	INSULATION BUSH	1	1	1					
28	2	119620-79350	NUT	2	2	2					
29	2	119620-77490	COLLAR	1	1	1					
30	2	119620-79360	WASHER, THRUST	1	1	1					
31	1	129795-01900	STUD	1	1	1					
32	1	26306-100002	NUT, M10	1	1	1					
33	1	26014-080252	BOLT, M8X 25	1	1	1					
34	1	119810-77340	BOLT, ADJUSTER	1	1	1					
35	1	119643-66900	DIODE	1	1	1					
36	1	128300-77920	TIMER	1	1	1					
37	1	129211-77920	TIMER	1	1	1					
38	1	119650-77910	RELAY ASSY, GLOW	1	1	1					

Fig.18. GASKET SET

(A)=4TNV98-NSA
 (B)=4TNV98-NSA2
 (C)=4TNV98-GGE

(D)=
 (E)=
 (F)=



No.	Lev.	Parts No.	Description	Qty						I	R
				(A)	(B)	(C)	(D)	(E)	(F)		
1	1	729907-92760	GASKET SET	1	1	1					1
2	2	24341-000240	O-RING, 1AS24.0	1	1	1					
3	2	123907-59550	GASKET	5	5	5					
4	2	129907-01331	GASKET, HEAD	1	1	1					
5	2	124160-11340	SEAL, VALVE STEM	8	8	8					
6	2	119802-11870	PROTECTOR, NOZZLE	4	4	4					
7	2	119625-11880	SEAT, NOZZLE	4	4	4					
8	2	129907-11310	GASKET, BONNET	1	1	1					
9	2	129907-12110	GASKET, MANIFOLD	1	1	1					
10	2	129900-13251	GASKET	1	1	1					
11	2	129930-13200	GASKET, SILENCER	1	1	1					
12	2	124950-11340	SEAL, VALVE STEM	8	8	8					
13	2	129900-32030	O-RING, P20	2	2	2					
14	2	129900-32040	O-RING, P14	1	1	1					
15	2	129900-42020	GASKET, WATER PUMP	1	1	1					
16	2	129900-49870	GASKET	1	1	1					
17	2	121850-49550	GASKET, THERMOSTAT	1	1	1					
18	2	121850-77021	GASKET	1	1	1					
19	2	121850-49540	GASKET, THERMOSTAT	1	1	1					
20	2	23414-080000	GASKET, 8X1.0	3	3	3					
21	2	124465-44950	GASKET, 16	2	2	2					
22	2	24311-000070	O-RING, 1AP7.0	1	1	1					
23	2	24311-000120	O-RING, 1AP12.0	8	8	8					
24	2	24311-000320	O-RING, 1AP32.0	2	2	2					
25	2	22190-080002	WASHER, SEAL 6	7	7	7					
26	2	22190-220002	WASHER, SEAL 22	1	1	1					
27	2	24351-030750	O-RING, 1A3075	1	1	1					
28	2	24321-000850	O-RING, 1AG85.0	1	1	1					
29	2	124240-01883	GASKET	1	1	1					
30	1	129400-92450	HONE	1	1	1					1
31	1	977770-01212	GASKET, LIQUID	1	1	1					1

Remarks
 (1) OPTIONAL PART.

Parts No. Index

Parts No.	Fig. No.	Ref. No.
105010-39140	11	5
105025-59750	15	7
105582-59150	12	25
114250-39450	11	16
114250-53080	14	9
114250-53120	14	13
114250-53130	14	14
114250-53140	14	15
114250-53210	14	16
114250-53400	14	17
119000-01840	5	3
119000-35140	11	7
119130-44760	12	51
119131-18320	8	6
119141-44760	12	31
119225-52102	15	20
119305-59120	14	31
119593-11301	6	28
119620-01750	4	14
119620-11180	6	16
119620-77380	17	4
119620-77421	17	8
119620-77440	17	13
119620-77461	17	15
119620-77471	17	16
119620-77480	17	20
119620-77490	17	29
119620-79200	17	9
119620-79210	17	10
119620-79220	17	11
119620-79230	17	12
119620-79240	17	5
119620-79250	17	6
119620-79260	17	18
119620-79270	17	19
119620-79280	17	21
119620-79290	17	22
119620-79300	17	23
119620-79310	17	24
119620-79320	17	25
119620-79330	17	26
119620-79340	17	27
119620-79350	17	28
119620-79360	17	7
		30
119625-11880	6	26
	18	7
119640-01640	4	9
	5	8
119640-61400	6	62

Parts No.	Fig. No.	Ref. No.
119643-66900	17	35
119650-77910	17	38
119802-11870	6	47
	18	6
119802-55700	15	21
119802-55710	15	22
119802-55730	15	25 A
119802-55800	15	2
119810-77340	17	34
120130-22301	10	20
121023-26070	2	39
121250-44901	12	37
121450-42450	12	36
121520-34810	11	2
121750-59890	15	26
121850-21130	10	10
121850-21290	10	4
121850-21680	10	9
121850-21920	10	5
121850-49540	12	20
	18	19
121850-49550	12	21
	18	17
121850-49810	12	23
121850-77021	7	5
	18	18
122780-59100	14	30
123900-13610	8	4
123900-13630	8	5
123900-25060	9	9
123907-03100	6	55
123907-03110	6	56
123907-03120	6	57
123907-03140	6	58
123907-11280	6	33
123907-11550	6	3
123907-11601	14	29
123907-11820	6	10
123907-11830	6	22
123907-25909	9	15
123907-39500	11	22
123907-59540	15	13
123907-59550	15	14
	18	3
123907-59560	15	18
124160-01751	2	37
	3	36
	6	50
124160-11340	6	17
	18	5

Parts No.	Fig. No.	Ref. No.
124160-11360	6	65
124240-01871	3	38
124240-01883	3	39
	18	29
124411-01780	4	7
	5	6
124465-44950	12	38
	18	21
	12	43
	15	16
124722-59050	12	46
	15	5
	15	9
124950-11340	6	18
	18	12
127410-21480	10	45
128300-77920	17	36
129001-91810	2	27
	28	
	3	26
	27	
129004-55610	15	1
129005-59830	11	24
129052-42290	12	48
129100-01580	2	5
	3	5
	4	1
	5	1
129100-55690	15	23
129150-02450	9	4
129150-11230	6	36
	40	
129150-11750	6	21
	37	
	41	
129150-14200	9	1
129150-25920	9	13
129150-35153	11	6
129150-59131	14	34
	38	
129150-91400	3	41
129211-77920	17	37
129240-79300	17	14
129242-55700	15	21 -1
129242-55720	15	25 A-1
129242-55730	15	22 -1
129242-55740	15	25 B
129242-55750	15	25 C
129242-55760	15	25 D

Parts No.	Fig. No.	Ref. No.
129242-55770	15	25 E
129400-92450	18	30
129423-77200	17	2
129423-77710	17	17
129457-59010	15	4
129486-59551	15	15
129550-59120	14	35
129685-77640	19	28
129795-01900	17	31
129900-01200	1	31
129900-01250	1	5
129900-01620	4	3
129900-01740	2	6
	3	6
129900-01780	2	4
	3	4
129900-01850	2	45
	3	45
129900-01870	2	46
	3	46
129900-02020	1	7
129900-02340	1	34
129900-02410	1	10
129900-02930	1	28
129900-02940	1	37
129900-13251	8	3
	18	10
129900-14100	9	6
129900-14140	2	23
129900-21200	10	3
129900-21600	10	13
	41	
129900-21640	10	8
129900-21660	10	7 -1
129900-23000	10	22
129900-23200	10	27
129900-23600	10	28
129900-23610	10	30
129900-23910	10	26
129900-25100	9	10
129900-26250	2	24
129900-32001	2	11
	3	10
129900-32030	2	25
	3	23
	11	8
	18	13
129900-32040	2	26
	3	24
	18	14

Parts No. Index

Parts No.	Fig. No.	Ref. No.
129900-42020	12	11
	18	15
129900-42450	12	14
129900-42461	12	49
129900-49870	12	32
	18	16
129900-77010	16	1
129900-77040	19	1
129900-77120	19	2
129900-77130	19	5
129900-77140	19	6
129900-77150	19	9
129900-77160	19	10
129900-77170	19	13
129900-77180	19	14
129900-77190	19	16
129900-77270	19	17
129900-77280	19	22
129900-77290	19	23
129900-77330	17	1
129900-77380	19	24
129900-77390	19	25
129900-77400	16	2
129900-77420	19	26
129900-77430	19	27
129900-77440	16	5
129900-77450	16	7
		9
	19	7
		12
129900-77460	16	11
129900-77480	16	8
129900-77510	16	17
129900-77520	16	20
129900-77540	16	18
129900-77550	16	19
129900-77591	16	12
129900-77610	16	23
129900-77620	16	13
129900-77640	16	15
129900-77650	16	14
129900-77700	16	16
129900-77710	16	24
129902-21000	10	1
129907-01190	1	33
129907-01331	1	32
	18	4
129907-01500	3	8
129907-01950	13	1
129907-01960	13	2

Parts No.	Fig. No.	Ref. No.
129907-03010	6	52
129907-03060	6	53
129907-03070	6	54
129907-07900	6	1
129907-11100	6	25
129907-11110	6	14
129907-11120	6	15
129907-11250	6	30
129907-11260	6	31
129907-11270	6	32
129907-11310	6	61
	18	8
129907-11320	6	51
129907-11341	6	29
129907-11510	6	19
129907-11650	6	34
129907-11660	6	38
129907-11700	6	4
129907-11800	6	9
129907-11910	6	68
129907-11920	6	42
129907-11950	6	48
129907-12110	7	2
	18	9
129907-13200	8	1
129907-14400	9	2
129907-14581	9	3
129907-21660	10	7
129907-22050	10	16
129907-22090	10	14
129907-39061	11	20
129907-42000	12	1
129907-49610	12	40
129907-49620	12	44
129907-49710	12	41
129907-49720	12	45
129907-49730	12	22
129907-49750	12	42
129907-49800	12	18
129907-53000	14	3
129907-59140	15	12
129907-59710	14	39
129907-59810	14	41
129907-59820	14	42
129907-59830	14	43
129907-59840	14	44
129908-14581	9	3 -1
129910-07900	6	69
129915-01610	5	2
129915-77050	7	6

Parts No.	Fig. No.	Ref. No.
129916-01710	4	8
129916-44740	12	50
129916-49530	12	19
129920-21580	10	42
129920-44740	12	16
129930-13200	8	2
	18	11
129930-39050	11	3
129937-53000	14	4
129944-12110	7	1
129950-59221	15	10
129953-21570	10	38
129953-25300	9	16
129953-34830	11	1
129953-35000	11	9
129955-01600	4	2
129955-21590	10	11
129957-59120	15	6
129962-01500	2	8
129980-26200	9	20
129980-59510	15	11
129981-59010	15	8
129982-01710	5	7
158563-51150	9	17
171008-77410	19	3
171008-77420	19	4
171008-77450	16	6
	19	8
171008-77670	19	18
171008-77730	16	21
171008-77740	16	22
171008-77750	16	25
	19	29
171051-01921	1	6
171056-49120	12	47
22190-080002	11	17
		18
		25
	15	19
	18	25
22190-220002	4	11
	5	10
	18	26
22217-180000	9	18
22252-000300	10	21
22351-060012	1	11
22512-070140	9	7
	10	6
22857-500100	6	63
		64

Parts No.	Fig. No.	Ref. No.
23387-040800	12	26
23414-080000	12	27
		33
	18	20
23857-030000	11	26
23875-030000	12	28
23876-010000	3	21
23876-020000	6	11
23876-030000	1	12
		13
		14
	6	12
24311-000070	2	43
	3	25
	18	22
24311-000120	6	27
		66
	18	23
24311-000160	15	25
24311-000320	2	38
	3	37
	6	67
	18	24
24321-000650	15	24
24321-000750	15	24 -1
24321-000850	2	40
	18	28
24341-000240	3	43
	18	2
24351-030750	2	29
	3	28
	18	27
25132-004150	12	15
26014-080252	17	33
26106-060122	12	29
26106-060162	3	44
	14	45
26106-060202	12	30
26106-060302	12	12
26106-080122	4	12
	5	11
	11	4
		14
		19
	12	34
26106-080162	2	22
		30
		31
	3	29
		30

Parts No. Index

Parts No.	Fig. No.	Ref. No.
26106-080162	3	40
		47
	6	2
	9	8
	11	15
	13	5
26106-080182	14	46
26106-080202	2	32
	3	31
26106-080222	13	6
		7
26106-080302	12	52
	15	3
26106-080352	7	7
26106-080402	2	33
		34
	3	32
		33
	6	44
26106-080452	2	35
	3	34
	7	3
26106-080552	9	14
	12	13
		17
26106-080602	6	45
		46
	12	35
26106-080802	7	4
26106-100202	2	41
	13	8
26116-120302	16	26
	19	30
26206-100352	4	15
	5	4
26206-100702	4	6
26216-100302	2	10
	3	22
26226-080222	6	43
26306-080002	6	49
	8	7
26306-100002	2	36
	3	35
	17	32
26776-180002	9	19
27241-300000	1	15
27241-400000	6	13
27310-070001	6	23
729900-02800	1	25
729907-01550	2	1

Parts No.	Fig. No.	Ref. No.
729907-01560	1	1
729907-01570	3	1
729907-22910	10	32
729907-22950	10	34
729907-51320	13	3
729907-53100	14	1
729907-92760	18	1
729946-51390	13	4
729946-53300	14	2
977770-01212	2	42
	3	48
	4	13
	5	5
	6	70
	18	31
X2114155110	16	3
X2114255110	16	4
X2114955020	19	15
X2130631300	16	10
	19	11
X9490561001	17	3

Parts No.	Fig. No.	Ref. No.
-----------	----------	----------

Parts No.	Fig. No.	Ref. No.
-----------	----------	----------