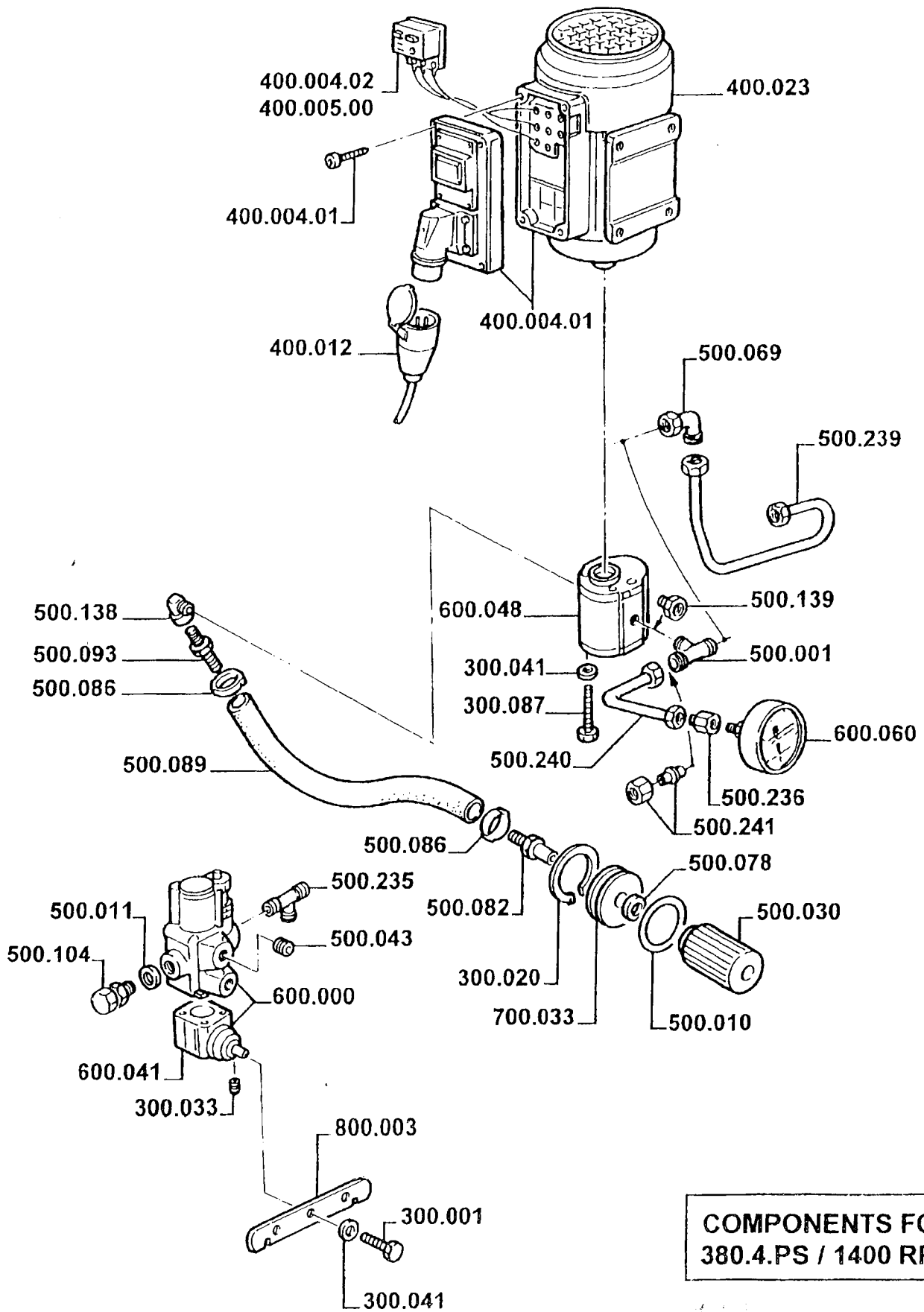
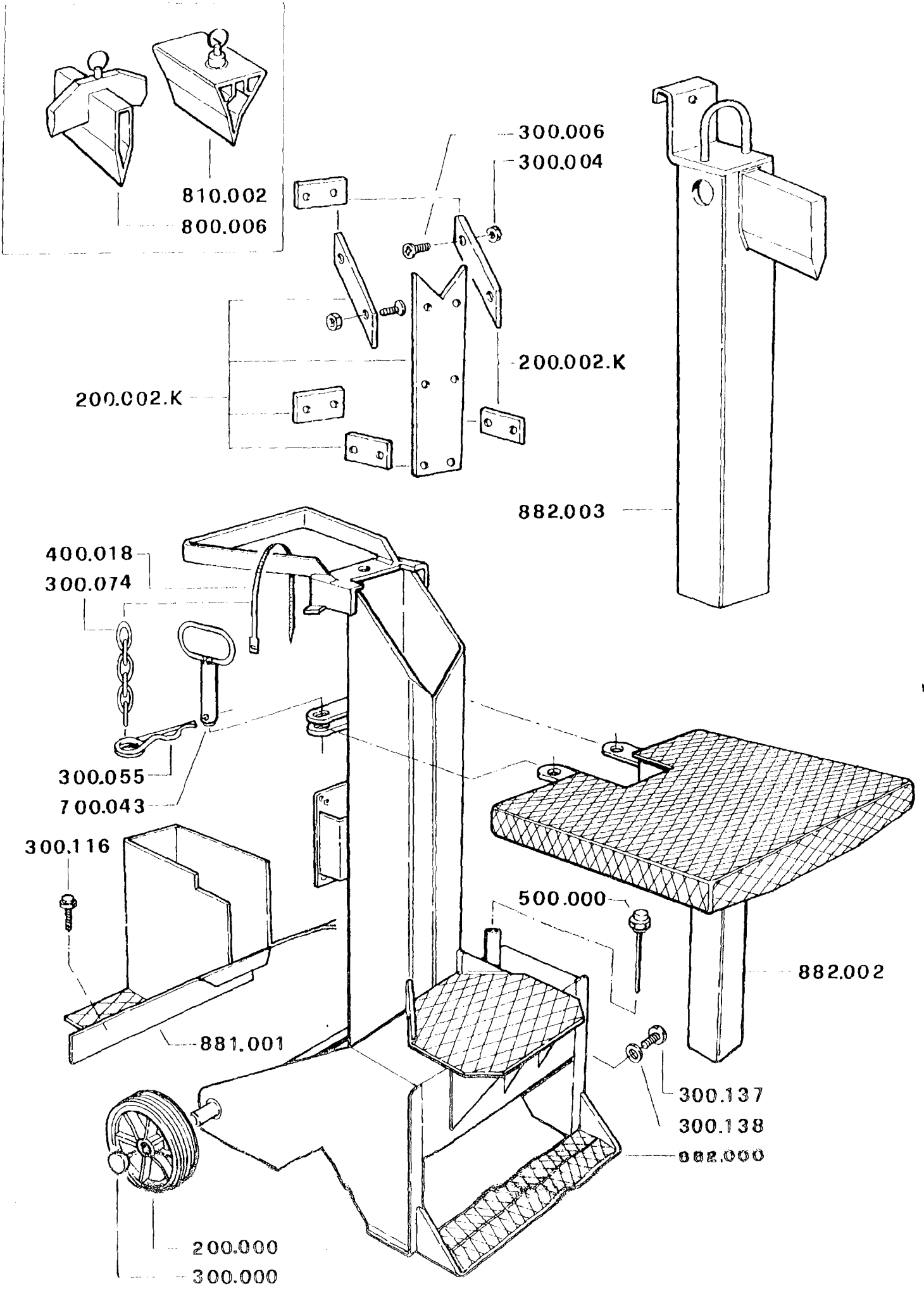
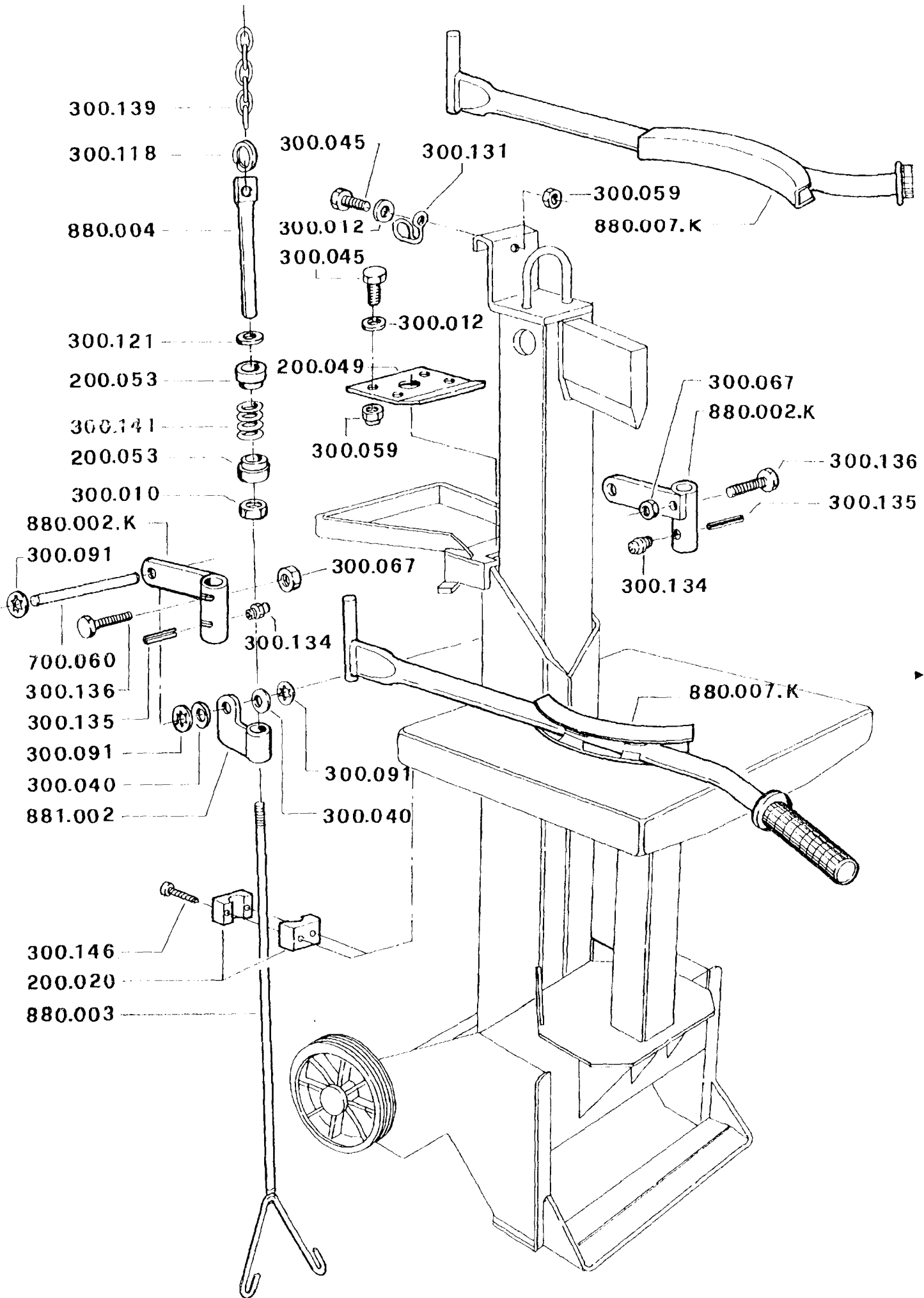


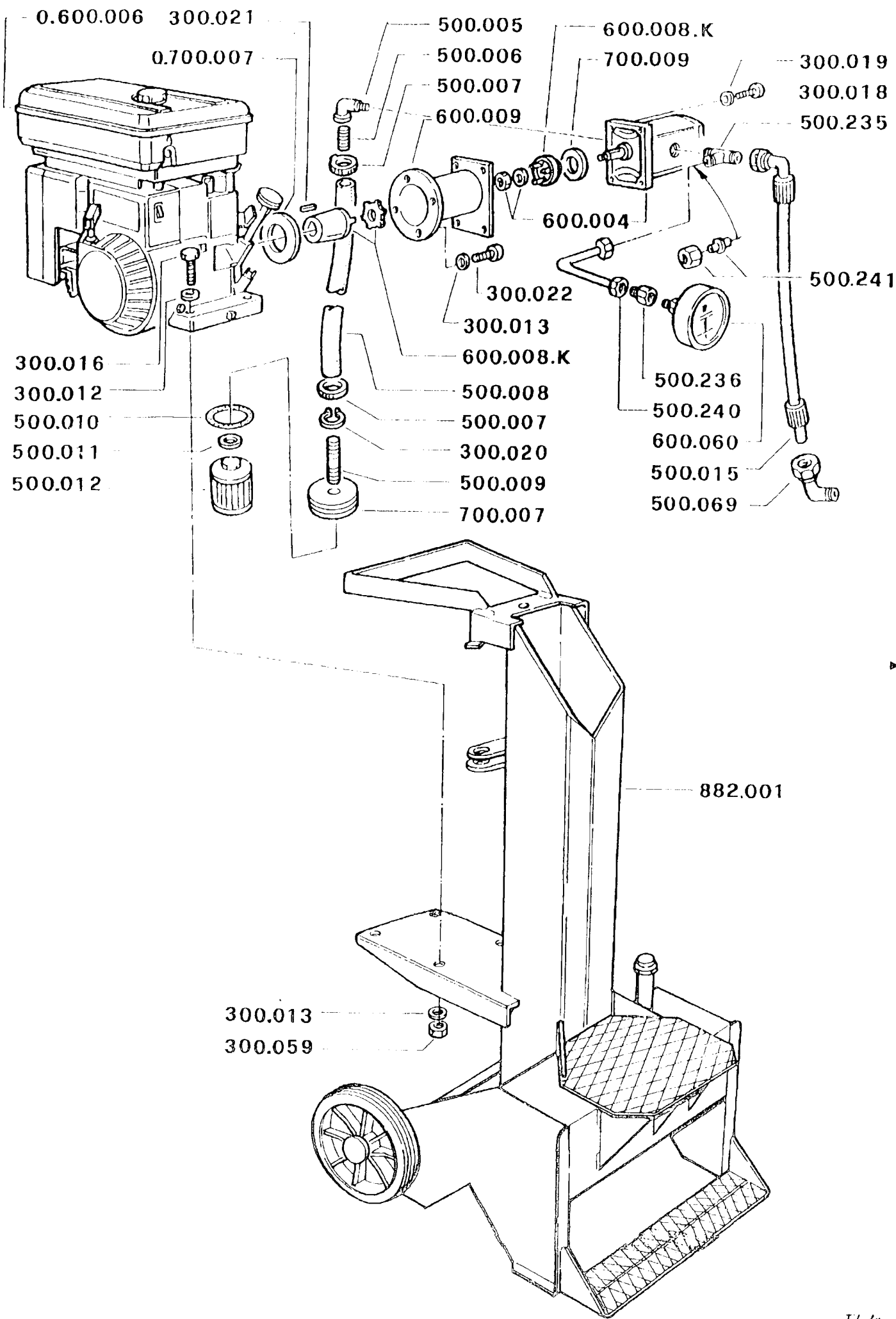
**COMPONENTS FOR
 380.3.PS / 1400 RPM**

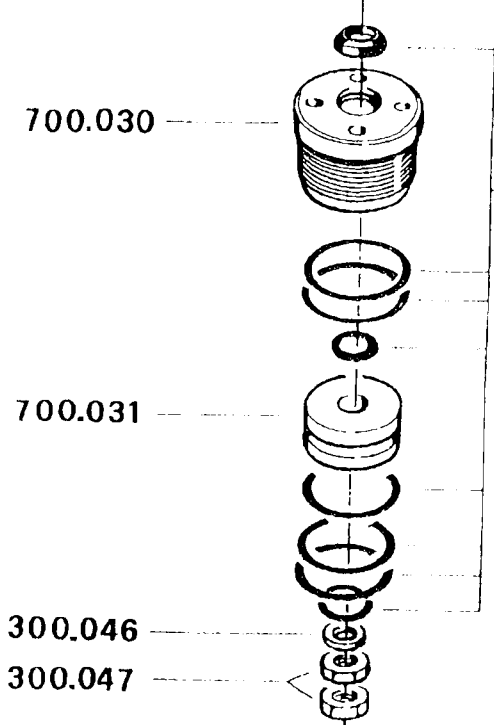
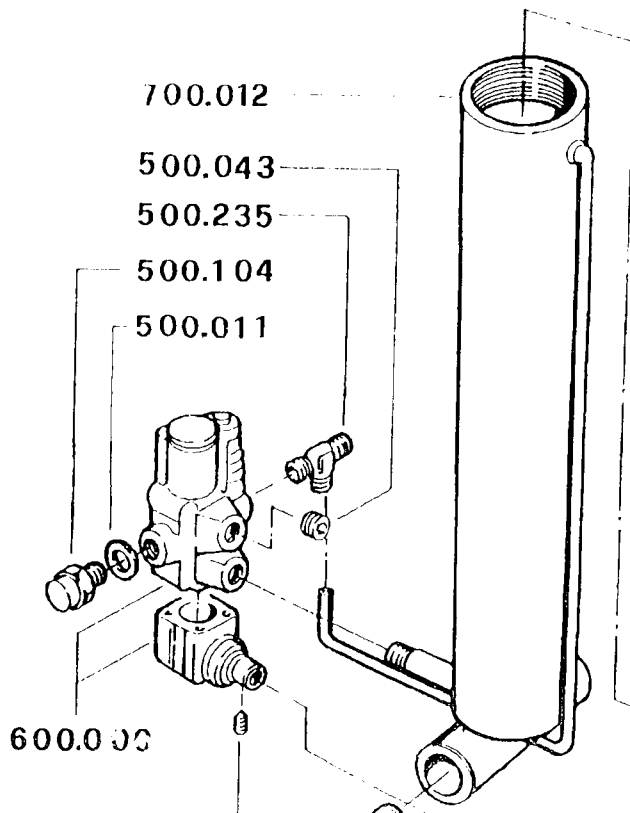
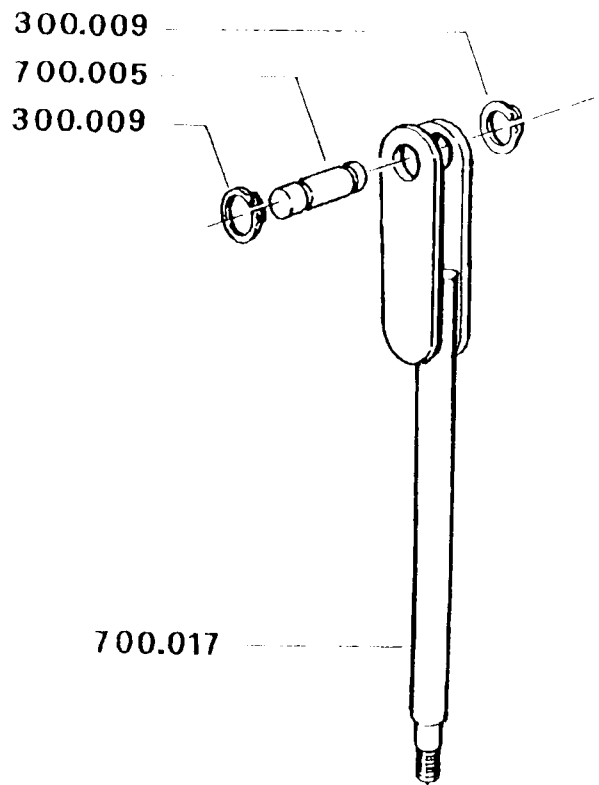
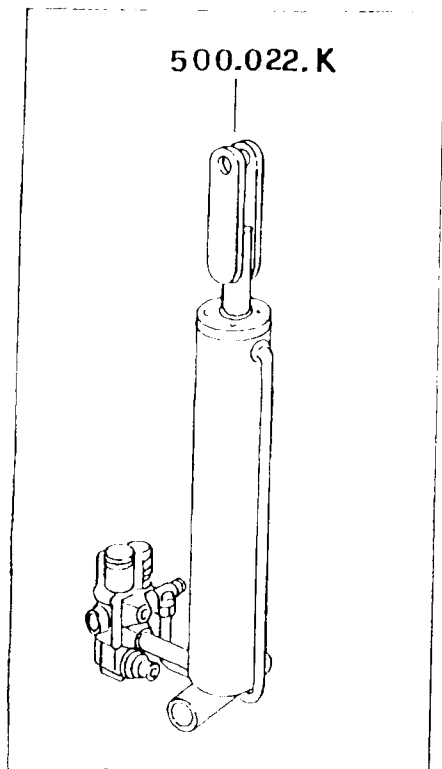


**COMPONENTS FOR
 380.4.PS / 1400 RPM**









500.052.K

