

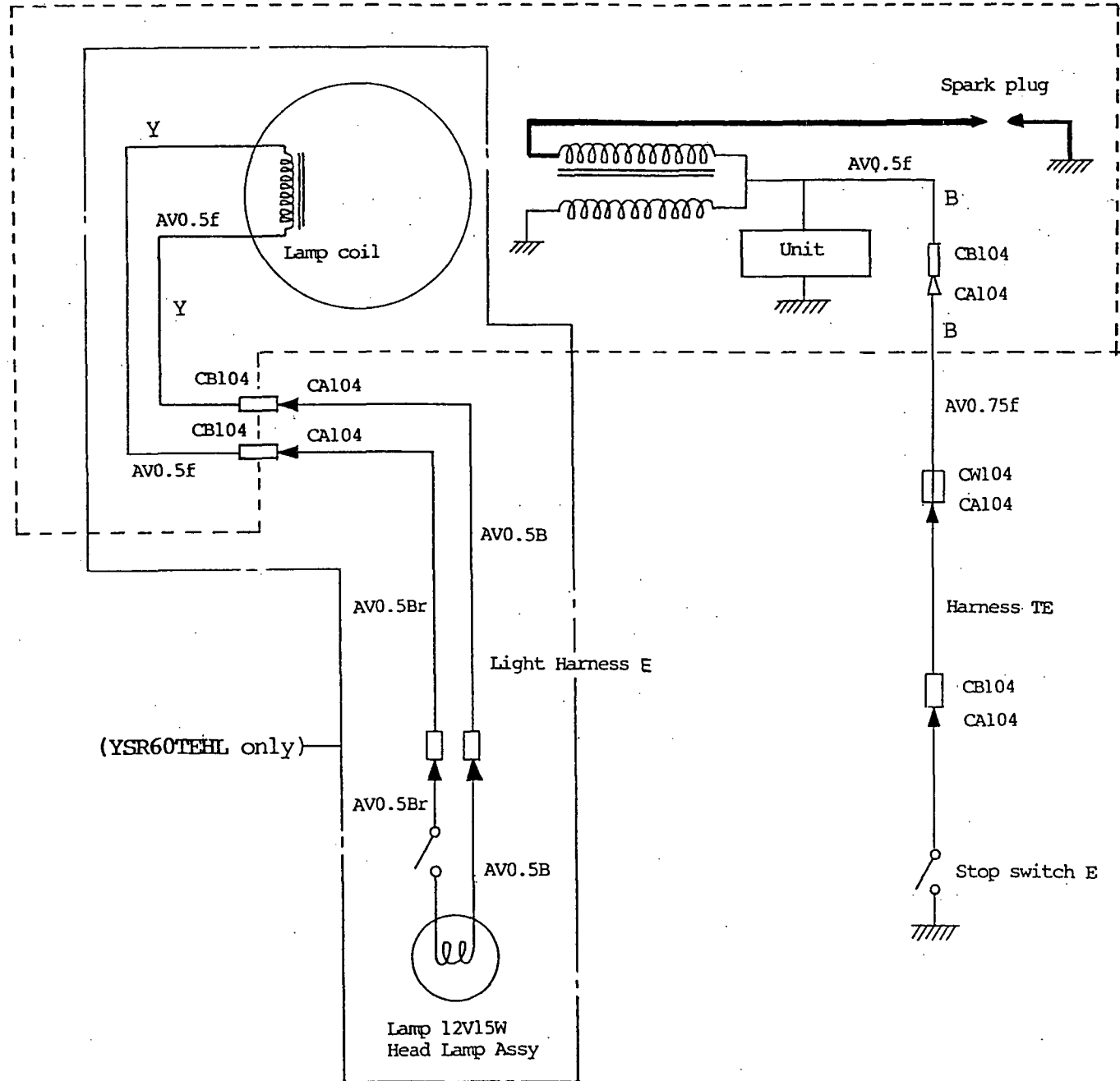
0CNP1-M99300EN

# SPECIFICATIONS

Item		Model	YSR60T	YSR60TS
Body dimensions	Overall length (mm)		1330	
	Overall width (mm)		560	
	Overall height (mm)		1100	
Overall weight (kg)			98	106
Engine	Type	Air-cooled gasoline engine		
			GE55NJS	GE55NJSE
	Displacement (cc.)		203	
	Max. output (PS/r.p.m.)		5.5 / 2000	
	Start method		Recoil starter	Recoil starter Electric starter
Battery			—	YUASA YB18L-A
			—	or equiv. to 12V 18Ah(10HR)
Traveling unit	Crawler width (mm)		120	
	Traveling transmission		Friction disc type	
	Speed change		4-forward and 1-reverse	
Snow throwing section	Snow throwing system		2-stage auger and blower type	
	Auger dia. (mm)		300	
	Blower dia. (mm)		268	
Snow throwing capacity	Snow cutting width (mm)		550	
	Snow cutting height (mm)		415	
	Snow throwing capacity (t/h)		35	
	Snow throwing distance (m)		13	

NOTE : Given Specifications may be altered for improvement, etc. without prior notice.

WIRING DIAGRAM  
 <YSR60TE·TEHL>



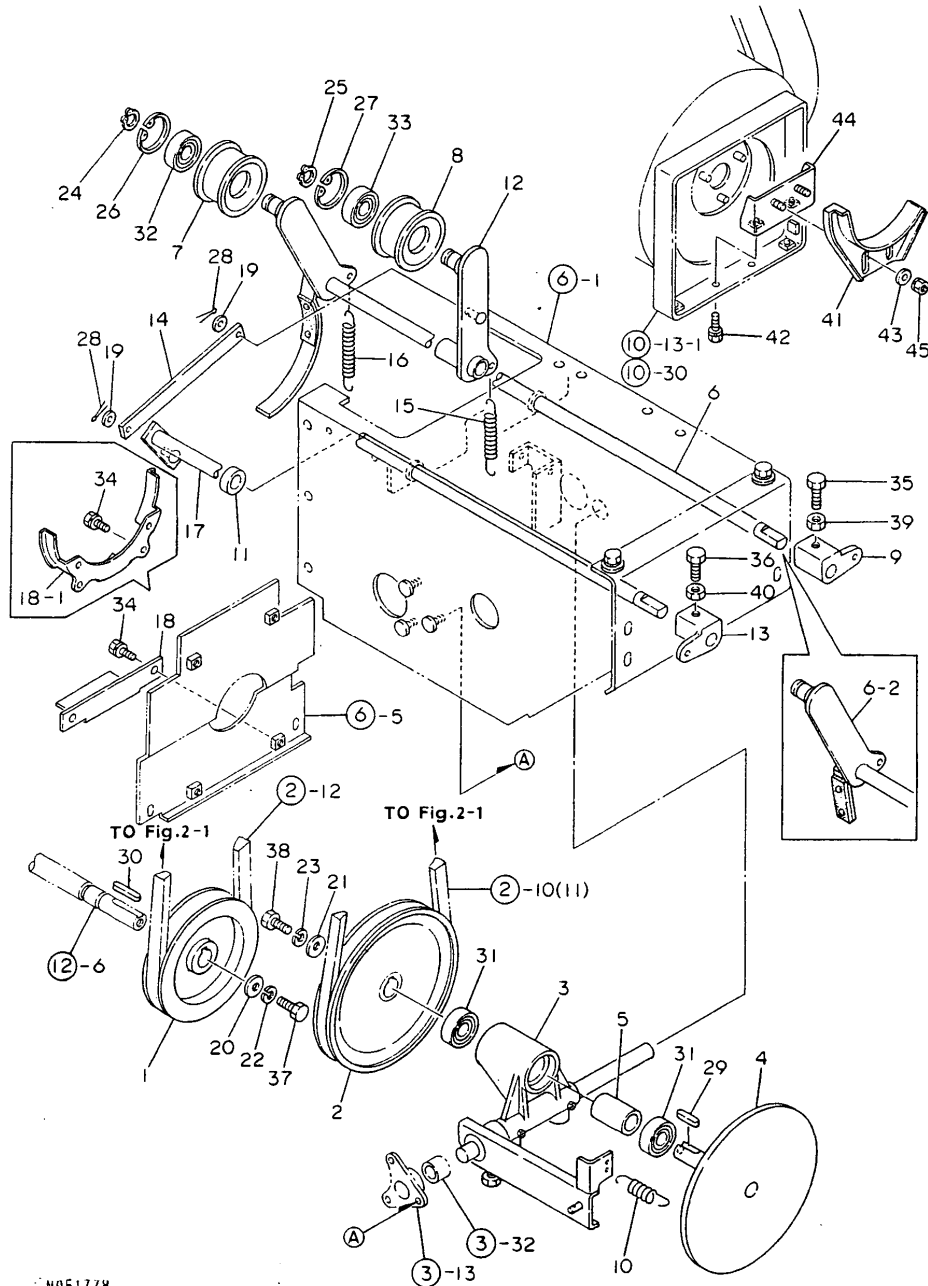
# Contents

Fig. No.	Fig. Name
PULLEY & TENSION UNIT	
1.	BELT TRANSMISSION 1
2.	BELT TRANSMISSION 2
TRAVELING TRANSMISSION UNIT	
3.	TRAVELING DRIVE
TRAVELING & CONTROL UNIT	
4.	CONTROL 1
5.	CONTROL 2
6.	CHASSIS 1
7.	CHASSIS 2
8.	CRAWLER
ELECTRICAL PARTS UNIT	
9.	ENGINE & ELECTRICAL PARTS
SNOW REMOVING DEVICE UNIT	
10.	SNOW REMOVING FRAME 1
11.	CHUTE
12.	GEAR CASE
13.	AUGER
14.	BLOWER

Fig. No.	Fig. Name
TOOLS & ACCESSORIES UNIT	
15.	TOOLS
16.	ACCESSORIES E
LABELS UNIT	
17.	MARKS
18.	MARKS 13
TOOLS & ACCESSORIES UNIT	
19.	TIRE(ADDED GROUP)
ELECTRICAL PARTS UNIT	
20.	ENGINE & ELECTRICAL PARTS 7(ADDED GROUP)

Fig.1. BELT TRANSMISSION 1

1. BELT TRANSMISSION 1

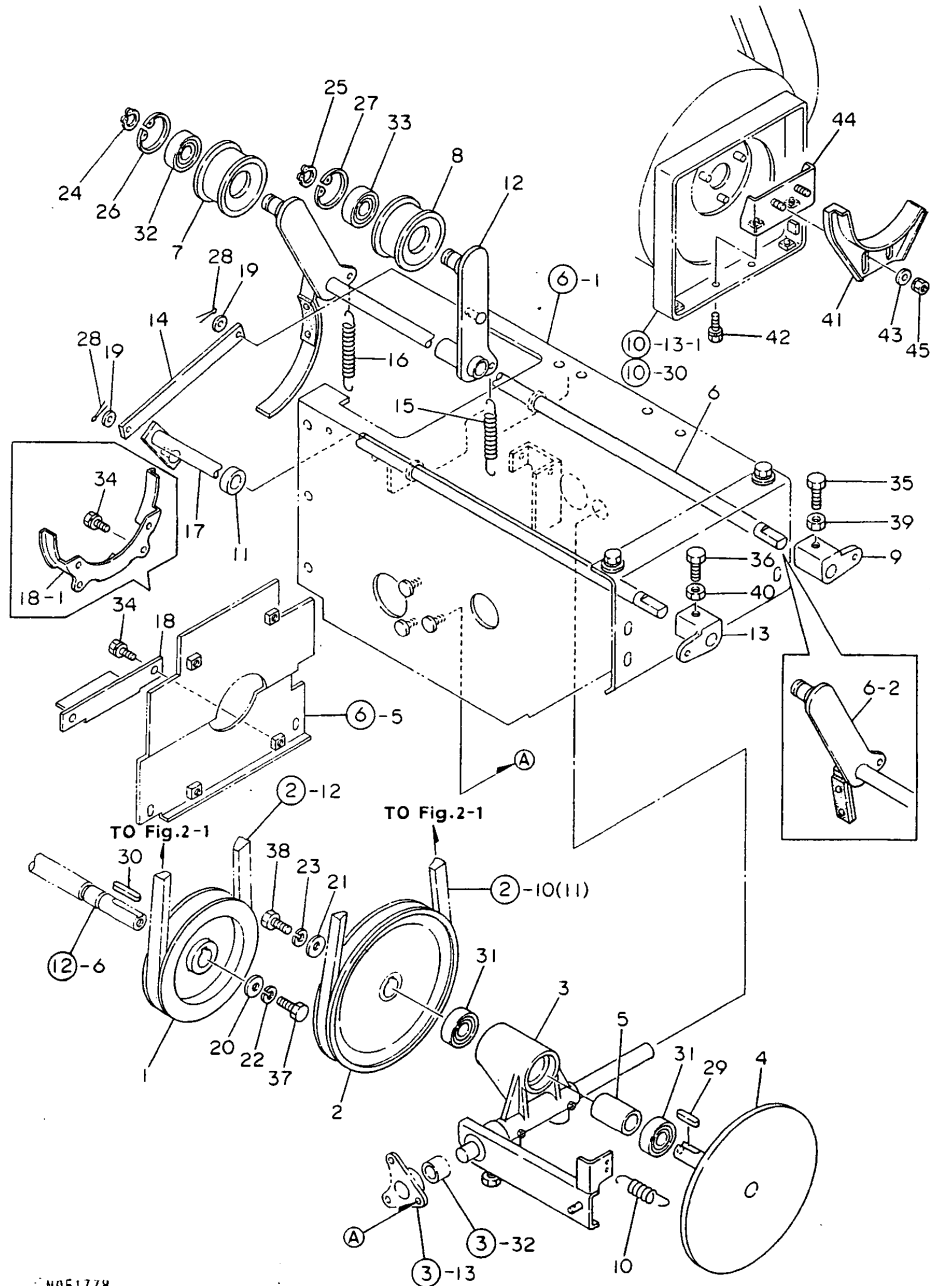


No.	Lev.	Parts No.	Description	Qty						I	R
				(A)	(B)	(C)	(D)	(E)	(F)		
1	1	1N1711-12010	PULLEY 128B	1	1	1	1	1	1		
2	1	1N1711-12030	PULLEY 160A COMPL	1	1	1	1	1	1		
3	1	1N1710-12101	HOUSING COMP.,CLUTCH	1	1	1	1	1	1		
4	1	1N1570-12160	SHAFT COMPL.,PULLEY	1	1						
4-1	1	1N1570-12161	SHAFT COMP.,PULLEY	1	1	1	1	1	1		N
		(A=F810001) (B=F810001)									
5	1	1N1570-12200	COLLAR 18X25X40	1	1	1	1	1	1		
6	1	1N1710-12201	SHAFT,AUGER TENSION	1	1						
6-1	1	1N1710-12202	SHAFT,AUGER TENSION	1	1	1	1	1	1		S
		(A=F810001) (B=F810001)									
6-2	1	1N1710-12203	SHAFT,AUGER TENSION	1	1	1	1	1	1		N
		(A=F81XXXX) (B=F81XXXX) (C=F81XXXX) (D=F81XXXX) (E=F81XXXX) (F=F81XXXX)									
7	1	1N1711-12200	PULLEY,TENSION	1	1	1	1	1	1		
8	1	1N1711-12200	PULLEY,TENSION	1	1	1	1	1	1		
9	1	1N1710-12240	PLATE A,CAM	1	1	1	1	1	1		
10	1	1N1570-12280	SPRING,CLUTCH	1	1	1	1	1	1		
11	1	1N1711-12280	COLLAR 13X20X5	1	1	1	1	1	1		
12	1	1N1710-12301	ARM,SIDE TENSION	1	1	1	1	1	1		
13	1	1N1710-12320	PLATE B,CAM	1	1	1	1	1	1		
14	1	1N1710-12330	PLATE,CONNECTING	1	1	1	1	1	1		
15	1	1N1570-12350	SPRING,RETURN	1	1	1	1	1	1		
16	1	1N1710-12400	SPRING B,RETURN	1	1	1	1	1	1		
17	1	1N1570-12450	SHAFT,SIDE TENSION	1	1	1	1	1	1		
18	1	1N1710-82250	BELT,GUIDE	1	1						
18-1	1	1N1710-82251	GUIDE,BELT	1	1	1	1	1	1		S
		(A=F810001) (B=F810001)									
19	1	22117-060000	WASHER, 6	2	2	2	2	2	2		
20	1	22157-080000	WASHER, 8	1	1	1	1	1	1		
21	1	22157-080000	WASHER, 8	1	1	1	1	1	1		
22	1	22217-080000	WASHER, SPRING 8	1	1	1	1	1	1		
23	1	22217-080000	WASHER, SPRING 8	1	1	1	1	1	1		
24	1	22242-000150	RING, 15	1	1	1	1	1	1		
25	1	22242-000150	RING, 15	1	1	1	1	1	1		
26	1	22252-000350	RING, 35	1	1	1	1	1	1		
27	1	22252-000350	RING, 35	1	1	1	1	1	1		
28	1	22417-200120	COTTER PIN 2.0X12	2	2	2	2	2	2		
29	1	22512-050150	KEY, 5X 15	1	1	1	1	1	1		
30	1	22512-050300	KEY, 5X 30	1	1	1	1	1	1		
31	1	24104-060034	BEARING, BALL 6003UU	2	2	2	2	2	2		
32	1	24107-062020	BEARING, 6202ZZC3	1	1	1	1	1	1		
33	1	24107-062020	BEARING, 6202ZZC3	1	1	1	1	1	1		
34	1	26018-060124	BOLT M 6X 12	2	2	2	2	2	2		
35	1	26116-080202	BOLT, M8X 20 PLATED	1	1	1	1	1	1		
36	1	26116-080202	BOLT, M8X 20 PLATED	1	1	1	1	1	1		
37	1	26116-080252	BOLT, M8X 25 PLATED	1	1	1	1	1	1		
38	1	26116-080252	BOLT, M8X 25 PLATED	1	1	1	1	1	1		
39	1	26717-080002	NUT, M8	1	1	1	1	1	1		
40	1	26717-080002	NUT, M8	1	1	1	1	1	1		
41	1	1N1711-12550	GUIDE COMP.,PULLEY	1	1	1	1	1	1		W
		(A=F810001) (B=F810001)									
41-1	1	1N1711-13250	GUIDE,PULLEY	1	1	1	1	1	1		S

N:Old  $\xrightarrow{\text{Yes}}$  New, Q:Old  $\xrightarrow{\text{No}}$  New, R:Old  $\xrightarrow{\text{Yes}}$  New, S:Old  $\xrightarrow{\text{No}}$  New, W:Add, Z:Discontinued, F:Interchangeable by set, K:Q'ty Change  
 ++ CONTINUE ++  
 Copyright (C) YANMAR CO., LTD. All Rights Reserved.

Fig.1. BELT TRANSMISSION 1

1. BELT TRANSMISSION 1



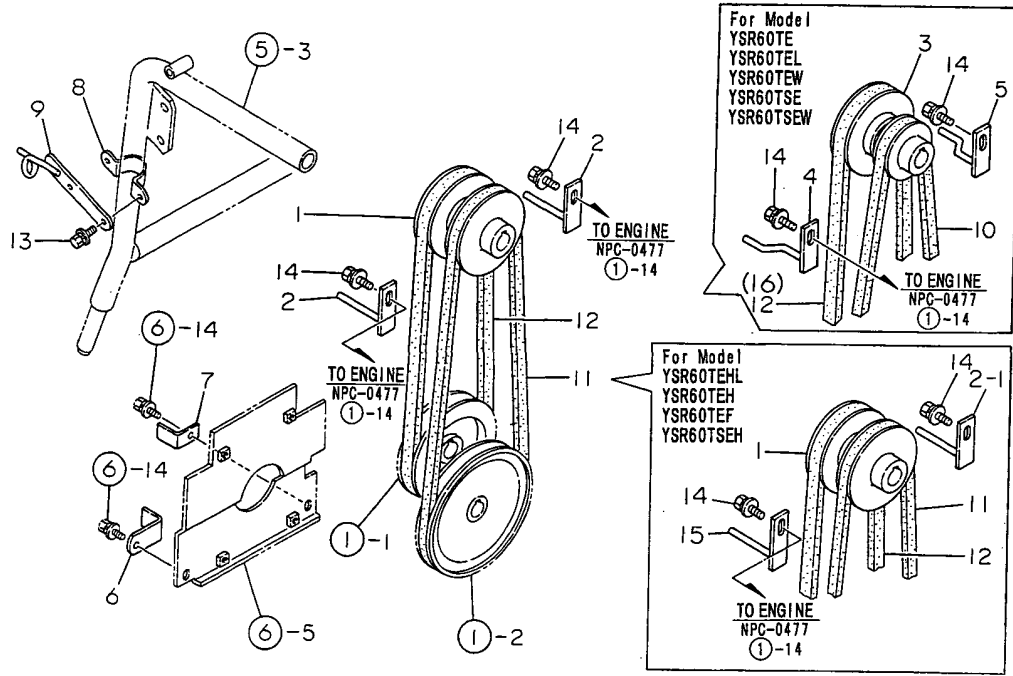
(A)=YSR60TE  
(B)=YSR60TEHL  
(C)=YSR60TEL.TEH

(D)=YSR60TEF  
(E)=YSR60TEW  
(F)=YSR60TSE(H,W)

No.	Lev.	Parts No.	Description	Q'ty						I	R
				(A)	(B)	(C)	(D)	(E)	(F)		
42	1	26016-080164	BOLT M 8X 16	2	2	2	2	2	2	W	
43	1	22137-080000	WASHER, 8	2	2	2	2	2	2	W	
44	1	1N1711-13200	STAY,GUIDE	1	1	1	1	1	1	W	
44-1	1	1N1711-13201	STAY,GUIDE	1	1	1	1	1	1	S	
45	1	26051-080002	NUT, M8	2	2	2	2	2	2	W	

Fig.2. BELT TRANSMISSION 2

2. BELT TRANSMISSION 2



N051779

(A)=YSR60TE  
 (B)=YSR60TEHL  
 (C)=YSR60TEL.TEH  
 (D)=YSR60TEF  
 (E)=YSR60TEW  
 (F)=YSR60TSE(H,W)

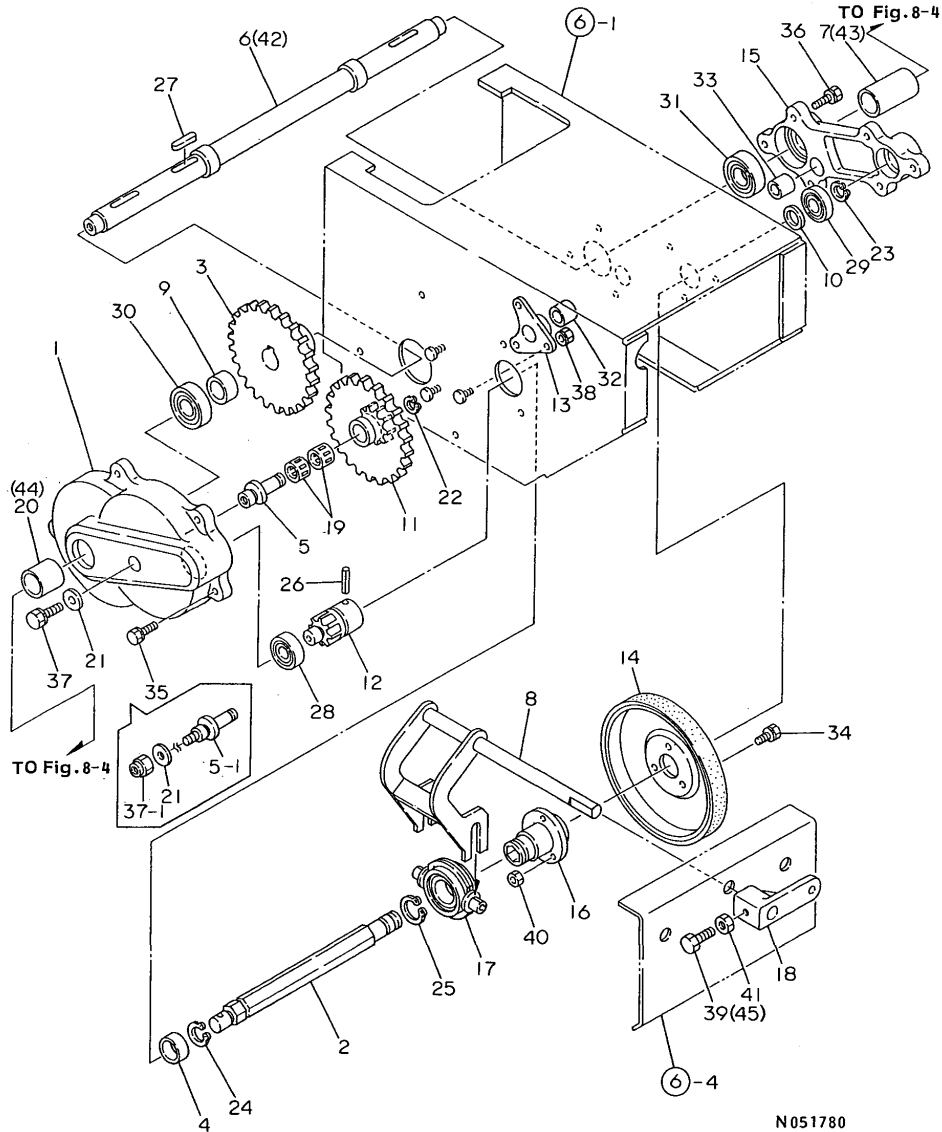
No.	Lev.	Parts No.	Description	Q'ty						I	R
				(A)	(B)	(C)	(D)	(E)	(F)		
1	1	1N1711-13000	PULLEY EH, ENGINE	1	1	1		1		1	
2	1	1N1711-13020	RETAINER EH,BELT		2						
2-1	1	1N1711-13020	RETAINER EH,BELT	1	1	1		1		K	1
				(B=F810001)							
3	1	1N1711-13070	PULLEY E,ENGINE	1		1		1	1		
4	1	1N1711-13090	RETAINER EA,BELT	1		1		1	1		
5	1	1N1711-13100	RETAINER EB,BELT	1		1			1	1	
6	1	1N1711-13130	GUIDE 60EL,BELT	1	1						Z
				(A=F810001)		(B=F810001)					
7	1	1N1711-13140	GUIDE 60ER,BELT	1	1						Z
				(A=F810001)		(B=F810001)					
8	1	1N1710-33230	FITTINGS,STAY		1						Z
				(B=F810001)							
9	1	1N1711-35350	HOOK 60E,RECOIL		1						Z
				(B=F810001)							
10	1	25122-003301	V-BELT, A33H	1		1		1	1		
11	1	25122-003501	V-BELT, A35H		1	1		1	1		1
12	1	25123-002901	V-BELT, B29H	1	1	1	1	1	1		
12-1	1	25123-003001	V-BELT, B30H							1	S
				(E=F81XXXX)							
13	1	26018-060204	BOLT, M6X 20		2						Z
				(B=F810001)							
14	1	26018-080204	BOLT M 8X 20	2	2	2	2	2	2		
15	1	1N1721-13060	RETAINER EH,BELT		1	1	1		1	W	1
				(B=F810001)							
16	1	25123-003001	V-BELT, B30H							1	2

Remarks

- (1) ONLY FOR YSR60TEHL,TEH,TEF,TSEH.
- (2) ONLY FOR YSR60TSEW.

Fig.3. TRAVELING DRIVE

3. TRAVELING DRIVE



N051780

(A)=YSR60TE  
(B)=YSR60TEHL  
(C)=YSR60TEL.TEH  
(D)=YSR60TEF  
(E)=YSR60TEW  
(F)=YSR60TSE(H,W)

No.	Lev.	Parts No.	Description	Qty						I	R
				(A)	(B)	(C)	(D)	(E)	(F)		
1	1	1N1710-21001	CASE,REDUCTION GEAR	1	1	1	1	1	1		
2	1	1N1711-21001	SHAFT,SLIDE	1	1						
2-1	1	1N1711-21002	SHAFT,SLIDE	1	1	1	1	1	1	1	S
3	1	(A=F810001) 1N1710-21010 (B=F810001)	GEAR,SPUR	1	1	1	1	1	1	1	
4	1	1N1711-21010	COLLAR	1	1	1	1	1	1	1	
5	1	1N1710-21021	SHAFT,NEEDLE	1	1						
5-1	1	1N1710-21022	SHAFT,NEEDLE	1	1	1	1	1	1	1	S
6	1	(A=F810001) 1N1710-21030 (B=F810001)	SHAFT COMPL.,DRIVE	1	1	1	1			1	
7	1	1N1710-21050	COLLAR 21X27X52	1	1	1	1			1	
8	1	1N1711-21050	LEVER,CHANGE	1	1	1	1	1	1	1	
9	1	1N1570-21070	COLLAR 21X27X13	1	1	1	1	1	1	1	
10	1	1N1711-21080	WASHER 15X22,PLAIN	1	1						
10-1	1	1N1711-21081	COLLAR 15X25X5	1	1	1	1	1	1	1	S
11	1	(A=F810001) 1N1570-21090 (B=F810001)	GEAR,2-STAGE SPUR	1	1	1	1	1	1	1	
12	1	1N1570-21100	PINION	1	1	1	1	1	1	1	
13	1	1N1570-21170	FLANGE	1	1	1	1	1	1	1	
14	1	1N1570-21200	PLATE,FRICITION	1	1	1	1	1	1	1	
15	1	1N1710-21201	CASE,BEARING	1	1						
15-1	1	1N1710-21202	CASE,BEARING	1	1	1	1	1	1	1	S
16	1	(A=F810001) 1N1720-21210 (B=F810001)	SEAT,FRICT'N PL.MTG.	1	1						
16-1	1	1N1720-21211	SEAT,FRICT'N PL.MTG.	1	1	1	1	1	1	1	S
17	1	(A=F810001) 1N1570-21300 (B=F810001)	SLIDER,CLUTCH	1	1	1	1	1	1	1	
18	1	1N1710-21320	PLATE C,CAM	1	1	1	1	1	1	1	
19	1	1N1570-21600	BEARING	2	2	2	2	2	2	2	
20	1	1N1570-38020	COLLAR 21X27X26	1	1	1	1			1	
21	1	22157-080000	WASHER, 8	1	1	1	1	1	1	1	
22	1	22242-000120	RING, 12	1	1	1	1	1	1	1	
23	1	22242-000150	RING, 15	1	1	1	1	1	1	1	
24	1	22242-000190	RING, 19	1	1	1	1	1	1	1	
25	1	22242-000250	RING, 25	1	1	1	1	1	1	1	
26	1	22351-060025	PIN, SPRING 6.0X25	1	1	1	1	1	1	1	
27	1	22512-050300	KEY, 5X 30	1	1	1	1	1	1	1	
28	1	24104-060024	BEARING, BALL 6002UU	1	1						
28-1	1	24104-062024	BEARING, BALL 6202UU	1	1	1	1	1	1	1	S
29	1	(A=F810001) 24104-060024 (B=F810001)	BEARING, BALL 6002UU	1	1	1	1	1	1	1	
30	1	24104-060044	BEARING, BALL 6004UU	1	1	1	1	1	1	1	
31	1	24104-060044	BEARING, BALL 6004UU	1	1	1	1	1	1	1	
32	1	24550-015150	BUSH, 15X15	1	1	1	1	1	1	1	
33	1	24550-015150	BUSH, 15X15	1	1	1	1	1	1	1	
34	1	26016-060164	BOLT 6X16 W/L.W.	3	3	3	3	3	3	3	
35	1	26016-060204	BOLT M 6X 20	5	5	5	5	5	5	5	
36	1	26016-060204	BOLT M 6X 20	6	6	6	6	6	6	6	
37	1	26016-080204	BOLT M 8X 20	1	1						
37-1	1	26347-080002	NUT, M8	1	1	1	1	1	1	1	S
		(A=F810001) (B=F810001)									

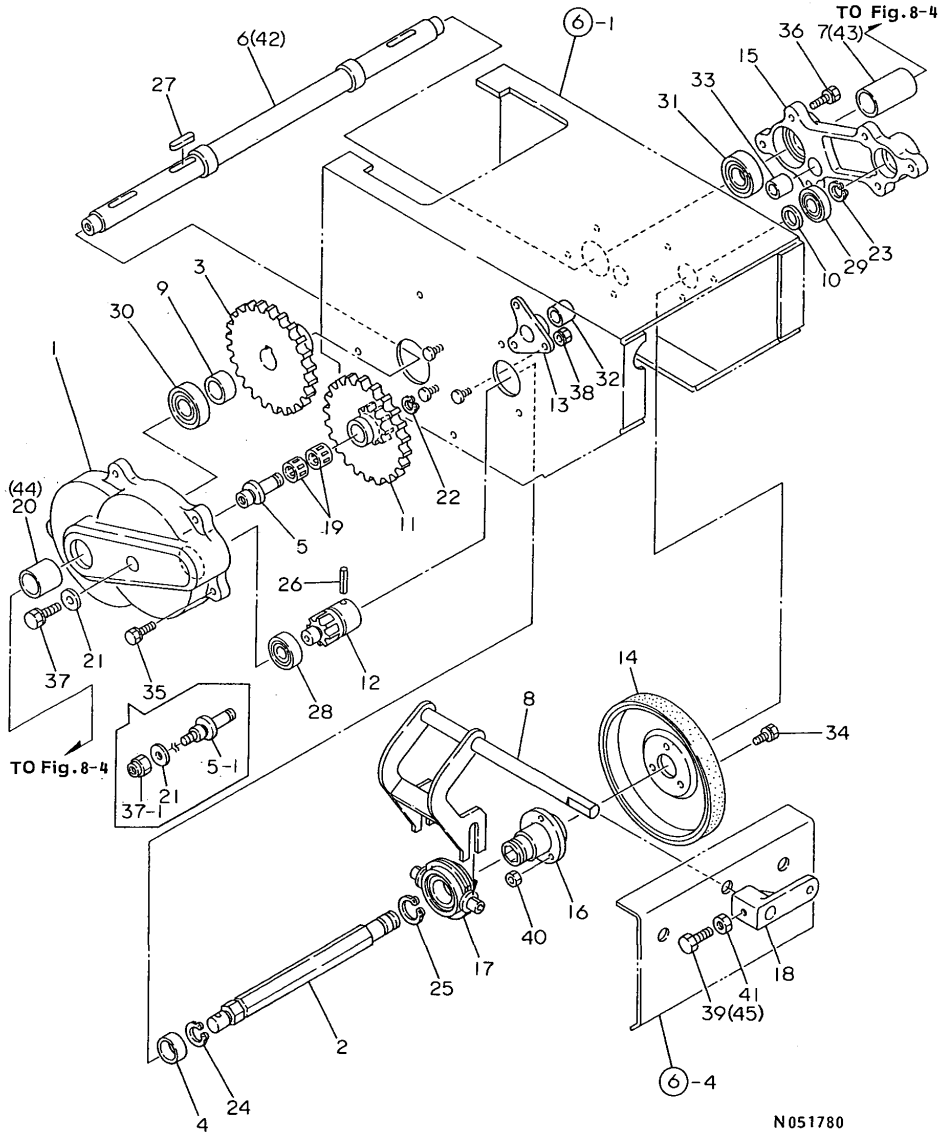
Remarks  
(1) ONLY FOR YSR60TSEW.

N:Old  $\xrightarrow{\text{Yes}}$  New, Q:Old  $\xrightarrow{\text{No}}$  New, R:Old  $\xrightarrow{\text{Yes}}$  New, S:Old  $\xrightarrow{\text{No}}$  New, W:Add, Z:Discontinued, F:Interchangeable by set, K:Q'ty Change  
++ CONTINUE ++  
Copyright (C) YANMAR CO., LTD. All Rights Reserved.



Fig.3. TRAVELING DRIVE

3. TRAVELING DRIVE



N051780

(A)=YSR60TE  
(B)=YSR60TEHL  
(C)=YSR60TEL.TEH

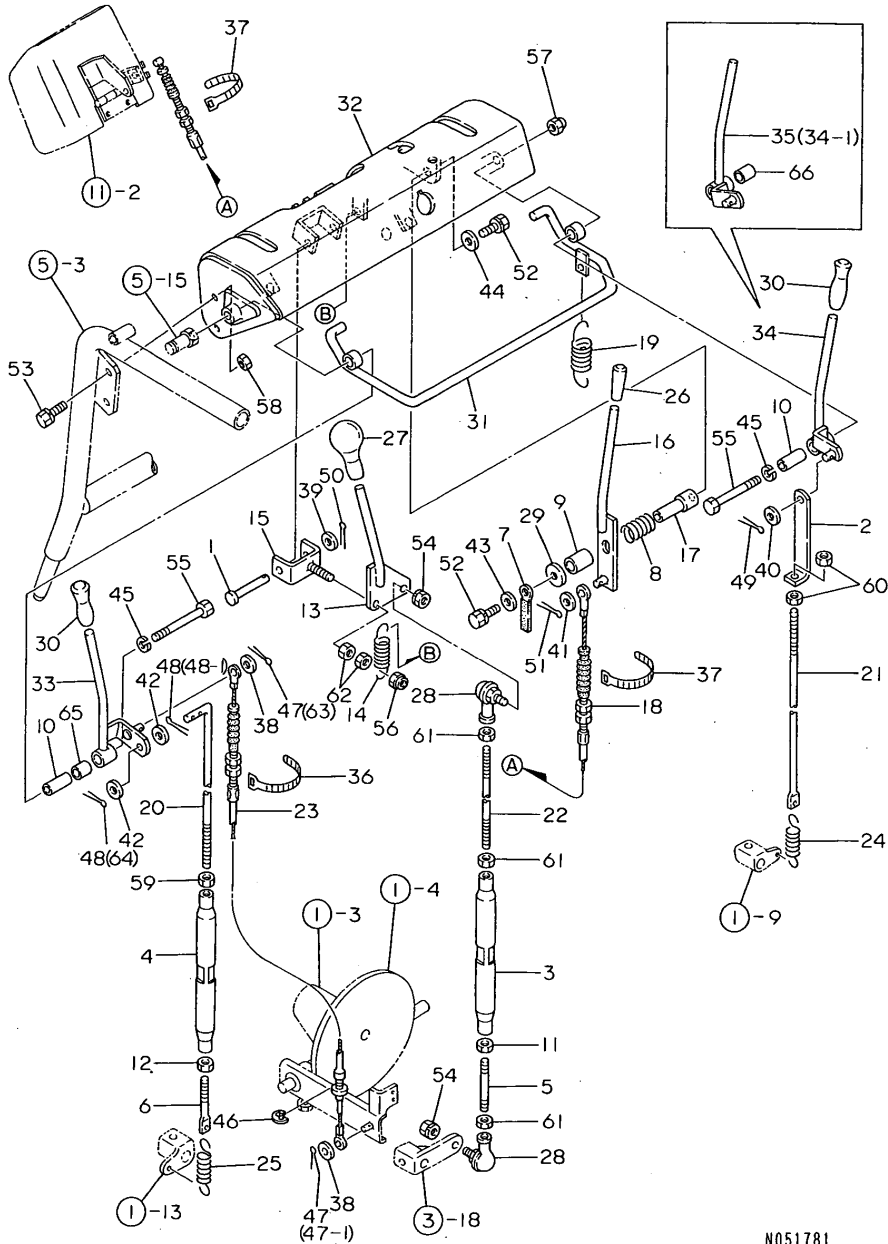
(D)=YSR60TEF  
(E)=YSR60TEW  
(F)=YSR60TSE(H,W)

No.	Lev.	Parts No.	Description	Q'ty						I	R
				(A)	(B)	(C)	(D)	(E)	(F)		
38	1	26051-060002	NUT, M6	3	3	3	3	3	3		
39	1	26116-080202	BOLT, M8X 20 PLATED	1	1	1	1	1	1		
40	1	26717-060002	NUT, M6	3	3	3	3	3	3		
41	1	26717-080002	NUT, M8	1	1	1	1	1	1		
42	1	1N1711-21500	SHAFT COMP.,DRIVE					1	1		1
43	1	1N1711-21520	COLLAR 21X27X80					1	1		1
44	1	1N1711-21530	COLLAR 21X27X54					1	1		1
45	1	26116-080202	BOLT, M8X 20 PLATED							1	1

Remarks  
(1) ONLY FOR YSR60TSEW.

Fig.4. CONTROL 1

4. CONTROL 1



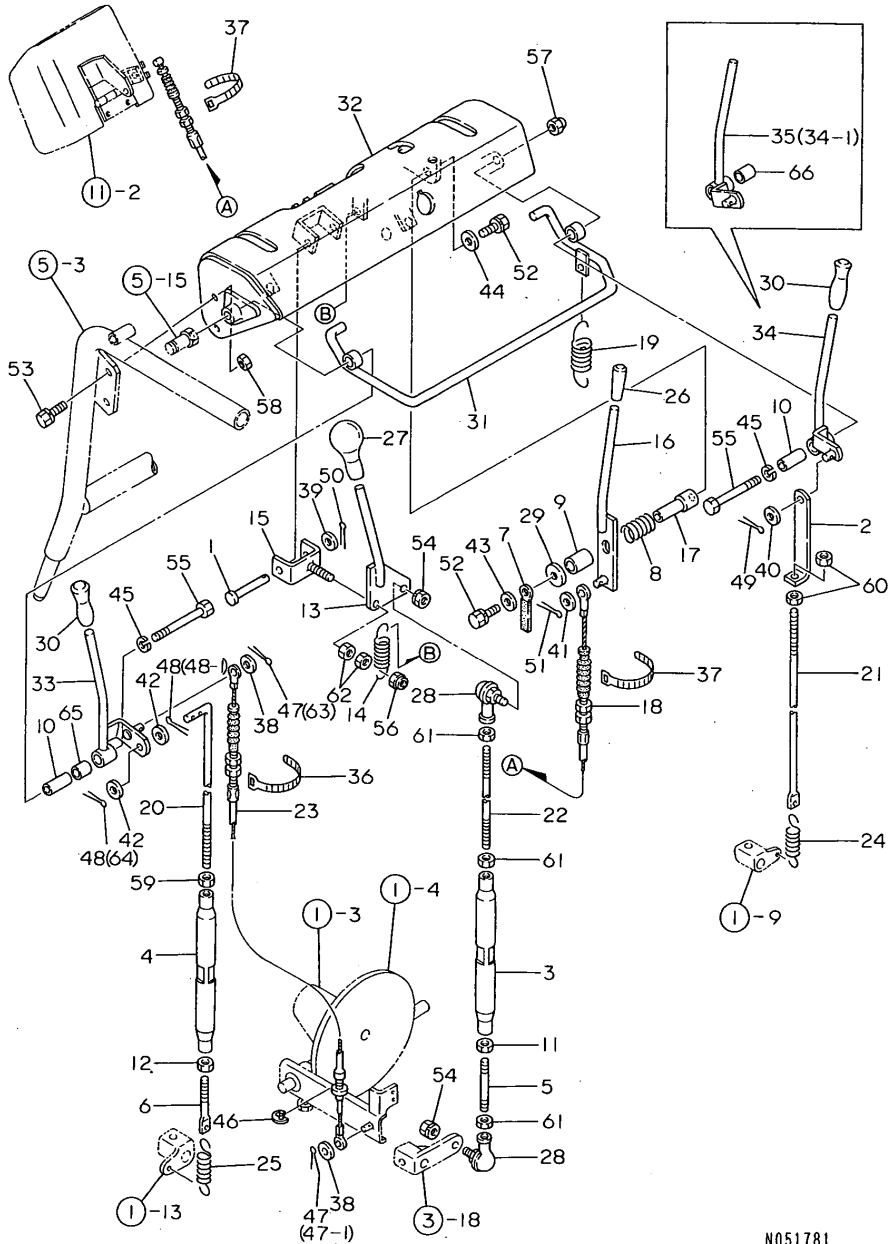
N051781

(A)=YSR60TE (D)=YSR60TEF  
 (B)=YSR60TEHL (E)=YSR60TEW  
 (C)=YSR60TEL.TEH (F)=YSR60TSE(H,W)

No.	Lev.	Parts No.	Description	Q'ty						I	R
				(A)	(B)	(C)	(D)	(E)	(F)		
1	1	1N1710-32150	RIVET 6X55	1	1	1	1	1	1		
2	1	1N1710-32280	ROD,AUGER	1	1	1	1	1	1		
3	1	1N1570-32290	TURNBUCKLE	1	1	1	1	1	1		
4	1	1N1570-32290	TURNBUCKLE	1	1	1	1	1	1		
5	1	1N1570-32320	ROD B,CHANGE LEVER	1	1	1	1	1	1		
6	1	1N1710-32380	BOLT 8X100 W/PIPE	1	1	1	1	1	1		
7	1	1N1710-32600	CLAMP 8X70	1	1	1	1	1	1		
8	1	1N1570-32760	SPRING B 27X42	1	1	1	1	1	1		
9	1	1N1570-32770	COLLAR 13X20X27	1	1	1	1	1	1		
10	1	1N1710-32851	COLLAR	2	2	2	2	2	2		
10-1	1	1N1710-32852	COLLAR	2	2	2	2	2	2		N
				(A=F81XXXX)	(B=F81XXXX)	(C=F81XXXX)	(D=F81XXXX)	(E=F81XXXX)	(F=F81XXXX)		
11	1	1N1570-32950	NUT 8	1	1	1	1	1	1		
12	1	1N1570-32950	NUT 8	1	1	1	1	1	1		
13	1	1N1710-32960	LEVER,CHANGE	1	1	1	1	1	1		
14	1	1N1710-32980	SPRING B,CHG.LEVER	1	1	1	1	1	1		
15	1	1N1710-33000	YOKE B,CHANGE	1	1	1	1	1	1		
16	1	1N1710-33050	LEVER,CHUTE ADJUST'G	1	1	1	1	1	1		
17	1	1N1710-33080	SHAFT 12X37	1	1	1	1	1	1		
18	1	1N1710-33090	WIRE,CHUTE ADJUSTING	1	1	1	1	1	1		
19	1	1N1710-33150	SPRING,SAFETY LEVER	1	1						
19-1	1	1N1710-33151	SPRING,SAFETY LEVER	1	1	1	1	1	1		N
				(A=F810001)	(B=F810001)						
20	1	1N1711-35200	BOLT E	1	1	1	1	1	1		
21	1	1N1711-35210	BOLT	1	1						
21-1	1	1N1711-35211	BOLT E W/PIPE	1	1	1	1	1	1		R
				(A=F810001)	(B=F810001)						
22	1	1N1711-35220	ROD E,CHANGE LEVER	1	1	1	1	1	1		
23	1	1N1711-35250	WIRE E,CLUTCH	1	1	1	1	1	1		
24	1	1S0139-42150	SPRING A 18X66	1	1	1	1	1	1		
25	1	1S0139-42150	SPRING A 18X66	1	1	1	1	1	1		
26	1	1A1140-58050	GRIP, STAND	1	1	1	1	1	1		
27	1	1A1040-58160	HANDLE, LEVER	1	1	1	1	1	1		
28	1	1S6002-61160	BALL 8,LINK	2	2	2	2	2	2		
29	1	1F1150-64270	WASHER 7X30X2,PLAIN	1	1	1	1	1	1		
30	1	1E6025-65310	GRIP, LEVER	2	2	2	2	2	2		
31	1	1N1710-82081	SAFETY LEVER	1	1						
31-1	1	1N1710-82082	LEVER COMP.,INTERLOC	1	1	1	1	1	1		N
				(A=F810001)	(B=F810001)						
32	1	1N1710-82401	BOX E COMP.,CONTROL	1	1	1	1	1	1		
33	1	1N1710-82421	LEVER,SIDE CLUTCH	1	1	1	1	1	1		
33-1	1	1N1710-82422	LEVER, DRIVE CLUTCH	1	1	1	1	1	1		S
				(A=F81XXXX)	(B=F81XXXX)	(C=F81XXXX)	(D=F81XXXX)	(E=F81XXXX)	(F=F81XXXX)		
34	1	1N1710-82440	LEVER,AUGER CLUTCH		1						
34-1	1	1N1710-82441	LEVER,AUGER CLUTCH		1	1	1	1	1		N
				(B=F810001)							
34-2	1	1N1711-35470	LEVER, AUGER CLUTCH		1	1	1	1	1		S
				(B=F81XXXX)	(C=F81XXXX)	(D=F81XXXX)	(E=F81XXXX)	(F=F81XXXX)			
35	1	1N1710-82441	LEVER,AUGER CLUTCH	1							
35-1	1	1N1711-35470	LEVER, AUGER CLUTCH	1							S
				(A=F81XXXX)							

Fig.4. CONTROL 1

4. CONTROL 1



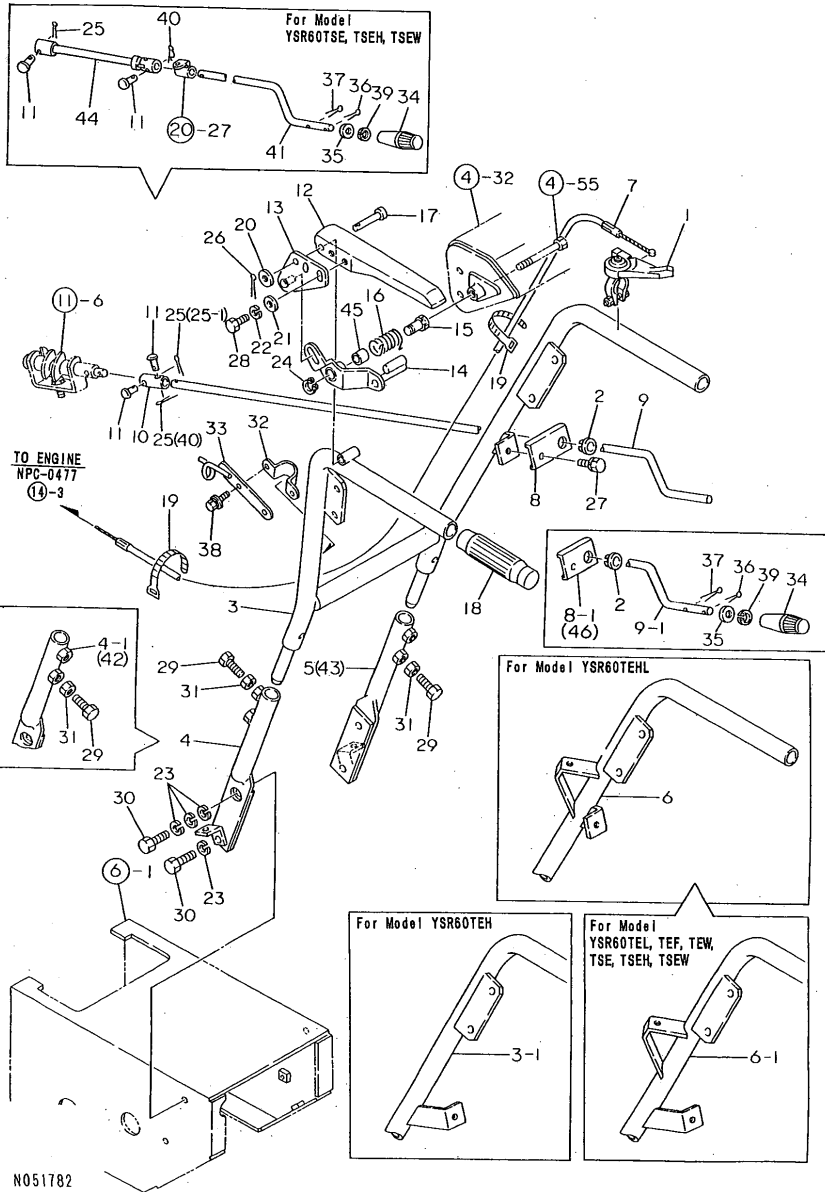
(A)=YSR60TE (D)=YSR60TEF  
 (B)=YSR60TEHL (E)=YSR60TEW  
 (C)=YSR60TEL.TEH (F)=YSR60TSE(H,W)

No.	Lev.	Parts No.	Description	Q'ty						I	R
				(A)	(B)	(C)	(D)	(E)	(F)		
36	1	1E6460-83400	BAND 100	1	1	1	1	1	1		
37	1	1E6460-83400	BAND 100	2	2	2	2	2	2		
38	1	22117-060000	WASHER, 6	2	2	2	2	2	2		
39	1	22117-060000	WASHER, 6	1	1	1	1	1	1		
40	1	22117-060000	WASHER, 6	1	1	1	1	1	1		
41	1	22117-060000	WASHER, 6	1	1	1	1	1	1		
42	1	22117-080000	WASHER, 8	2	2	2	2	2	2		
43	1	22157-060000	WASHER, 6	1	1	1	1	1	1		
44	1	22157-060000	WASHER, 6	1	1	1	1	1	1		
45	1	22217-080000	WASHER, SPRING 8	2	2	2	2	2	2		
46	1	22272-000070	RING, E- 7	1	1	1	1	1	1		
47	1	22417-200120	COTTER PIN 2.0X12	2	2						
47-1	1	22417-200120	COTTER PIN 2.0X12	1	1	1	1	1	1	1	K
		(A=F810001) (B=F810001)									
48	1	22417-200120	COTTER PIN 2.0X12	2	2						
48-1	1	22417-200120	COTTER PIN 2.0X12	1	1	1	1	1	1	1	K
		(A=F810001) (B=F810001)									
49	1	22417-200120	COTTER PIN 2.0X12	1	1						
49-1	1	22372-060000	PIN, SNAP 6	1	1	1	1	1	1	1	R
		(A=F810001) (B=F810001)									
50	1	22417-200120	COTTER PIN 2.0X12	1	1	1	1	1	1	1	
51	1	22417-200120	COTTER PIN 2.0X12	1	1	1	1	1	1	1	
52	1	26016-060164	BOLT 6X16 W/L.W.	2	2	2	2	2	2	2	
53	1	26016-080204	BOLT M 8X 20	4	4	4	4	4	4	4	
54	1	26051-080002	NUT, M8	2	2	2	2	2	2	2	
55	1	26117-080754	BOLT, M8X 75 PLATED	2	2	2	2	2	2	2	
56	1	26347-080002	NUT, M8	1	1	1	1	1	1	1	
57	1	26657-080002	NUT, CAP M8	1	1	1	1	1	1	1	
58	1	26717-080002	NUT, M8	4	4	4	4	4	4	4	
59	1	26717-080002	NUT, M8	1	1	1	1	1	1	1	
60	1	26717-080002	NUT, M8	2	2	2	2	2	2	2	
61	1	26717-080002	NUT, M8	3	3	3	3	3	3	3	
62	1	26717-080002	NUT, M8	2	2	2	2	2	2	2	
63	1	22372-060000	PIN, SNAP 6	1	1	1	1	1	1	1	W
		(A=F810001) (B=F810001)									
64	1	22372-080000	PIN, SNAP 8	1	1	1	1	1	1	1	W
		(A=F810001) (B=F810001)									
65	1	24550-012150	BUSH, 12X15	1	1	1	1	1	1	1	W
		(A=F81XXXX) (B=F81XXXX) (C=F81XXXX) (D=F81XXXX) (E=F81XXXX) (F=F81XXXX)									
66	1	24550-012150	BUSH, 12X15	1	1	1	1	1	1	1	W
		(A=F81XXXX) (B=F81XXXX) (C=F81XXXX) (D=F81XXXX) (E=F81XXXX) (F=F81XXXX)									

N051781

Fig.5. CONTROL 2

5. CONTROL 2



N051782

Remarks  
 (1) ONLY FOR YSR60TEH.  
 (2) ONLY FOR YSR60TSEW.

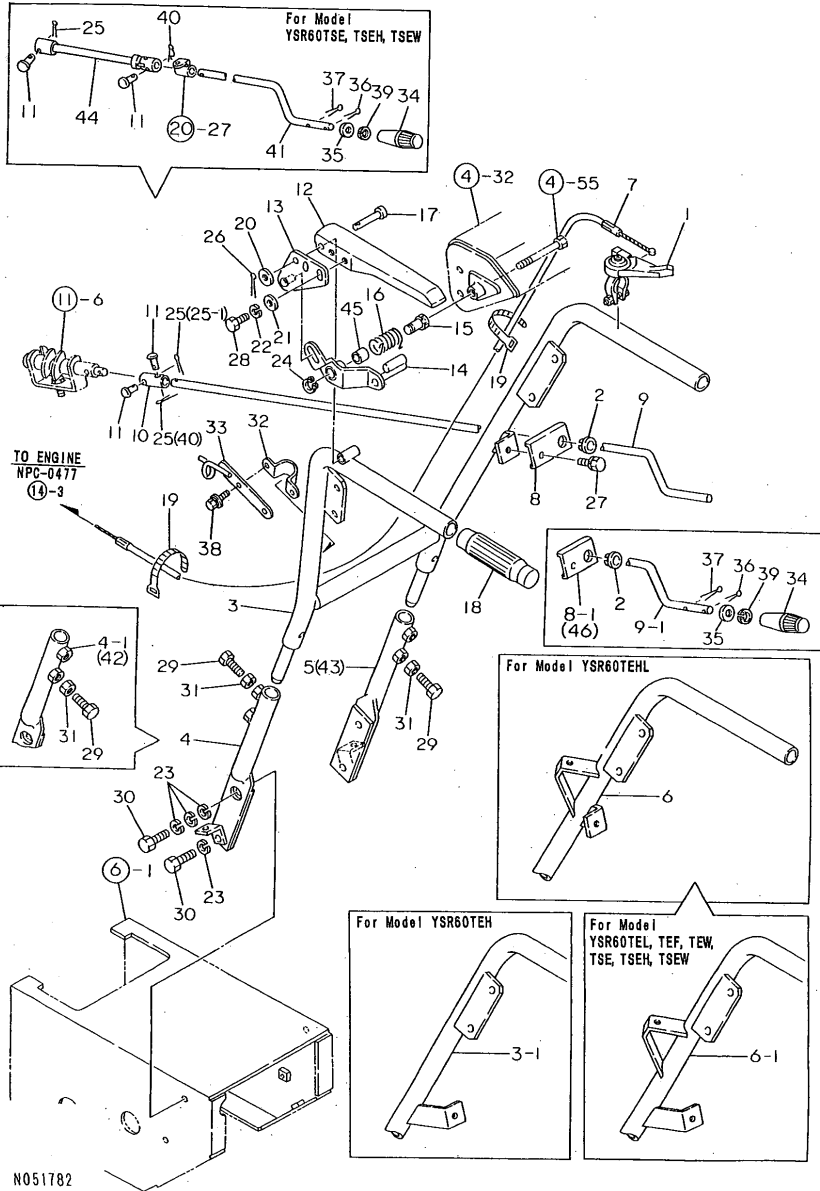
(A)=YSR60TE  
 (B)=YSR60TEHL  
 (C)=YSR60TEL.TEH  
 (D)=YSR60TEF  
 (E)=YSR60TEW  
 (F)=YSR60TSE(H,W)

No.	Lev.	Parts No.	Description	Q'ty						I	R
				(A)	(B)	(C)	(D)	(E)	(F)		
1	1	1N1570-32620	LEVER,ACCELERATOR	1	1	1	1	1	1		
2	1	1N1711-32790	BUSH	1	1	1	1	1	1		
3	1	1N1711-35000	HANDLE E COMPL.	1							
3-1	1	1N1711-35001	HANDLE E COMPL.	1		1					S 1
		(A=F810001)									
4	1	1N1711-35050	SUPPORT L CMP,HANDLE	1	1						
4-1	1	1N1711-35051	SUPPORT LC CMP,HNDL.	1	1	1	1			1	N
		(A=F810001) (B=F810001)									
5	1	1N1711-35110	SUPPORT R CMP,HANDLE	1	1	1	1			1	
6	1	1N1711-35130	HANDLE ES COMPL.		1						
6-1	1	1N1711-35131	HANDLE ES COMPL.		1	1	1	1	1	1	S
		(B=F810001)									
7	1	1N1711-35300	WIRE E,ACCELERATOR	1	1	1	1	1	1	1	
8	1	1N1710-73140	BEARING,CHUTE HANDLE	1	1					1	
8-1	1	1N1570-73350	BEARING,CHUTE HANDLE	1	1	1	1	1	1		S
		(A=F810001) (B=F810001)									
9	1	1N1570-73241	HANDLE,CHUTE	1	1						
9-1	1	1N1570-73242	HANDLE,CHUTE	1	1	1	1	1	1		S
		(A=F810001) (B=F810001)									
10	1	1N1570-73250	COLLAR 11X17X30	1	1	1	1	1	1		
11	1	1N1570-73260	RIVET 4X20,ROUND	2	2	2	2	2	2	2	
12	1	1N1710-82000	CLUTCH GRIP COMP	1	1	1	1	1	1	1	
13	1	1N1710-82020	LEVER A	1	1	1	1	1	1	1	
14	1	1N1710-82041	LEVER B	1	1						
14-1	1	1N1710-82042	LEVER B	1	1	1	1	1	1	1	N
		(A=F810001) (B=F810001)									
14-2	1	1N1710-82043	LEVER (B)	1	1	1	1	1	1	1	S
		(A=F81XXXX) (B=F81XXXX) (C=F81XXXX) (D=F81XXXX) (E=F81XXXX) (F=F81XXXX)									
15	1	1N1710-82110	SHAFT,FULCRUM	1	1	1	1	1	1	1	
15-1	1	1N1710-82111	SHAFT,FULCRUM	1	1	1	1	1	1	1	S
		(A=F81XXXX) (B=F81XXXX) (C=F81XXXX) (D=F81XXXX) (E=F81XXXX) (F=F81XXXX)									
16	1	1N1710-82120	RETURN SPRING	1	1	1	1	1	1	1	
17	1	1N1710-82131	RIVET 8X41	1	1	1	1	1	1	1	
18	1	1N1710-82140	GRIP BK-8,HANDLE	2	2	2	2	2	2	2	
19	1	1E6102-84970	BAND 140,WIRE LOCK	2	2	2	2	2	2	2	
20	1	22117-080000	WASHER, 8	1	1	1	1	1	1	1	
21	1	22137-060000	WASHER, 6	2	2	2	2	2	2	2	
22	1	22217-060000	WASHER, SPRING 6	2	2	2	2	2	2	2	
23	1	22217-100000	WASHER, SPRING 10	8	8	8	8	8	8	8	
24	1	22242-000150	RING, 15	1	1	1	1	1	1	1	
25	1	22417-200120	COTTER PIN 2.0X12	2	2						
25-1	1	22417-200120	COTTER PIN 2.0X12	1	1	1	1	1	1	1	K
		(A=F810001) (B=F810001)									
26	1	22417-200160	PIN, COTTER 2.0X16	1	1	1	1	1	1	1	
27	1	26016-080164	BOLT M 8X 16	1	1	1	1	1	1	1	
28	1	26116-060162	BOLT, M6X 16 PLATED	2	2	2	2	2	2	2	
29	1	26116-100252	BOLT, M10X 25 PLATED	4	4	4	4	4	4	4	
30	1	26116-100302	BOLT, M10X 30 PLATED	4	4	4	4	4	4	4	
31	1	26717-100002	NUT, M10	4	4	4	4	4	4	4	
32	1	1N1710-33230	FITTINGS,STAY	1	1	1	1	1	1	1	W
		(A=F810001) (B=F810001)									

Fig.5. CONTROL 2

5. CONTROL 2

(A)=YSR60TE  
 (B)=YSR60TEHL  
 (C)=YSR60TELT.EH  
 (D)=YSR60TEF  
 (E)=YSR60TEW  
 (F)=YSR60TSE(H,W)



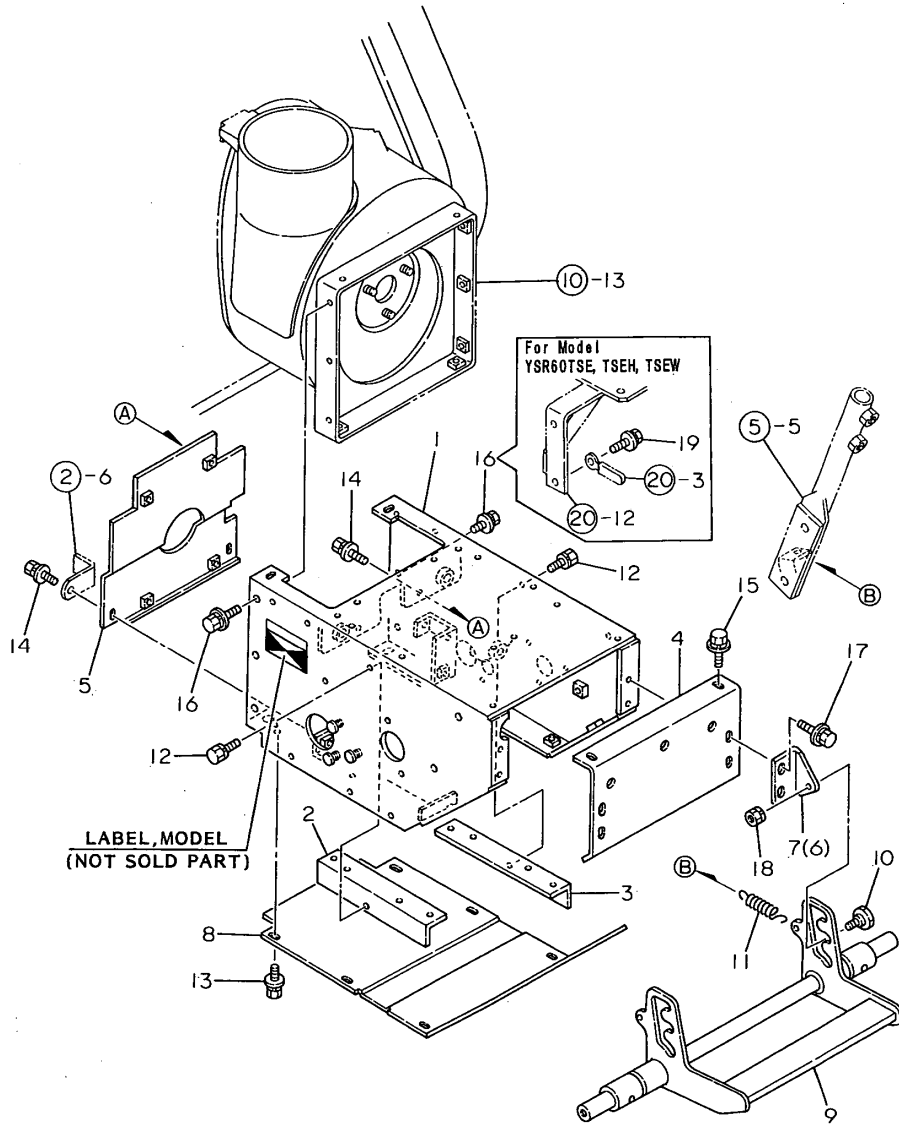
N051782

No.	Lev.	Parts No.	Description	Q'ty						I	R
				(A)	(B)	(C)	(D)	(E)	(F)		
33	1	1N1711-35350 (A=F810001) (B=F810001)	HOOK 60E,RECOIL	1	1	1	1	1	1	1	W
34	1	1N1711-35520 (A=F810001) (B=F810001)	GRIP,SHOOT	1	1	1	1	1	1	1	W
35	1	22137-100000 (A=F810001) (B=F810001)	WASHER, 10	1	1	1	1	1	1	1	W
36	1	22417-200160 (A=F810001) (B=F810001)	PIN, COTTER 2.0X16	1	1	1	1	1	1	1	W
37	1	22417-250160 (A=F810001) (B=F810001)	PIN, COTTER 2.5X16	1	1	1	1	1	1	1	W
38	1	26018-060204 (A=F810001) (B=F810001)	BOLT, M6X 20	2	2	2	2	2	2	2	W
39	1	22292-000110 (A=F810001) (B=F810001)	CIRCLIP 11	1	1	1	1	1	1	1	W
40	1	22372-040000 (A=F810001) (B=F810001)	PIN, SNAP 4	1	1	1	1	1	1	1	W
41	1	1N1711-32761	HANDLE,CHUTE								1
42	1	1N1711-35500	SUPPORT L COMP,HANDL							1	2
43	1	1N1711-35510	SUPPORT R COMP,HANDL							1	2
44	1	1N1710-73311	ROD,CONNECTING								1
45	1	24550-015120 (A=F81XXXX) (B=F81XXXX) (C=F81XXXX) (D=F81XXXX) (E=F81XXXX) (F=F81XXXX)	BUSH, 15X12	1	1	1	1	1	1	1	W
46	1	1N1570-73350	BEARING,CHUTE HANDLE								1 2

Remarks  
 (1) ONLY FOR YSR60TEH.  
 (2) ONLY FOR YSR60TSEW.

Fig.6. CHASSIS 1

6. CHASSIS 1

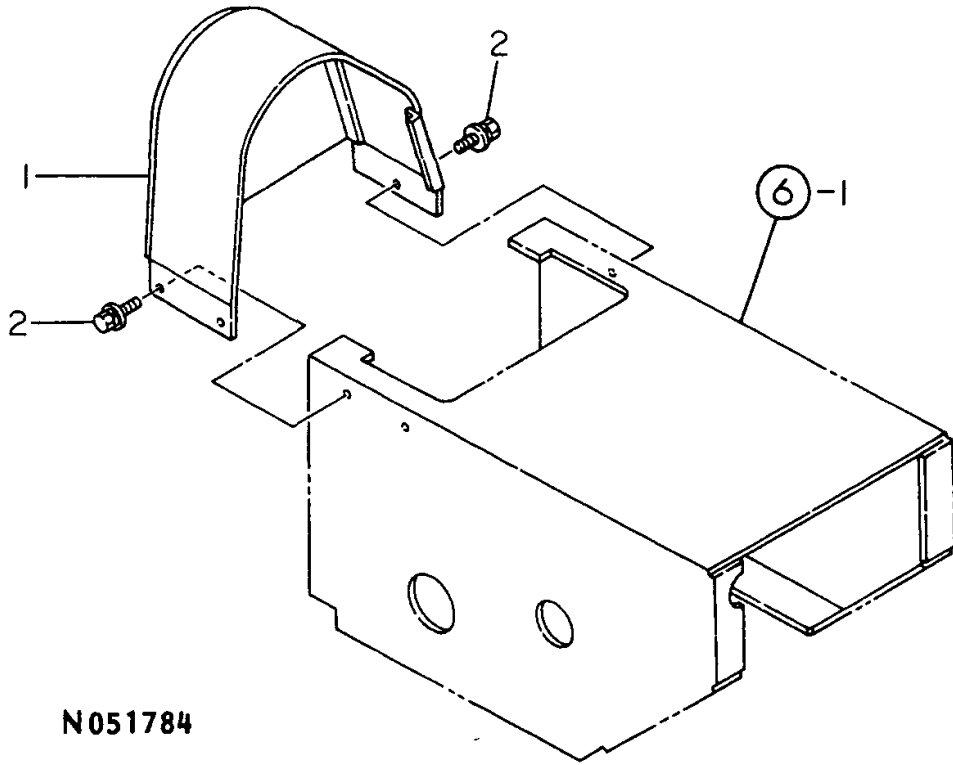


No.	Lev.	Parts No.	Description	Q'ty						I	R
				(A)	(B)	(C)	(D)	(E)	(F)		
1	1	1N1710-36000	CHASSIS COMPL.	1	1						
1-1	1	1N1710-36001	CHASSIS COMPL.	1	1	1	1	1	1	1	S
		(A=F810001) (B=F810001)									
2	1	1N1710-36060	BASE L,ENGINE	1	1	1	1	1	1		
3	1	1N1710-36080	BASE R,ENGINE	1	1	1	1	1	1		
4	1	1N1570-36150	PLATE R,CHASSIS	1	1	1	1	1	1		
5	1	1N1710-36200	PLATE,SHUT-OFF	1	1						
5-1	1	1N1710-36201	PLATE,SHUT-OFF	1	1	1	1	1	1	1	S
		(A=F810001) (B=F810001)									
6	1	1N1570-36210	FIXTURE L	1	1	1	1			1	
7	1	1N1570-36220	FIXTURE R	1	1	1	1			1	
8	1	1N1710-36220	PLATE,CHASSIS BOTTOM	1	1						
8-1	1	1N1710-36221	PLATE,CHASSIS BOTTOM	1	1						S
		(A=F810001) (B=F810001)									
8-2	1	1N1710-36222	PLATE,CHASSIS BOTTOM	1	1	1	1	1	1	1	N
		(A=F810001) (B=F810001)									
9	1	1N1710-36231	PEDAL COMP.,FOOT	1	1						
9-1	1	1N1710-36232	PEDAL COMP.,FOOT	1	1	1	1			1	N
		(A=F810001) (B=F810001)									
10	1	1N1570-36351	BOLT,REAMER	2	2	2	2			2	
11	1	1N1710-36370	SPRING,FOOT	2	2	2	2			2	
12	1	26016-080164	BOLT M 8X 16	2	2	2	2	2	2	2	
13	1	26018-060124	BOLT M 6X 12	8	8	8	8	8	8	8	
14	1	26018-060164	BOLT M 6X 16	4	4	4	4	4	4	4	
15	1	26018-080164	BOLT M 8X 16	2	2	2	2			6	2
16	1	26018-080164	BOLT M 8X 16	10	10	10	10	10	10	8	
17	1	26018-080204	BOLT M 8X 20	4	4	4	4			4	
18	1	26051-080002	NUT, M8	2	2						
18-1	1	26347-080002	NUT, M8	2	2	2	2			2	N
		(A=F810001) (B=F810001)									
19	1	26018-080204	BOLT M 8X 20								2

N051783

Fig.7. CHASSIS 2

# 7. CHASSIS 2



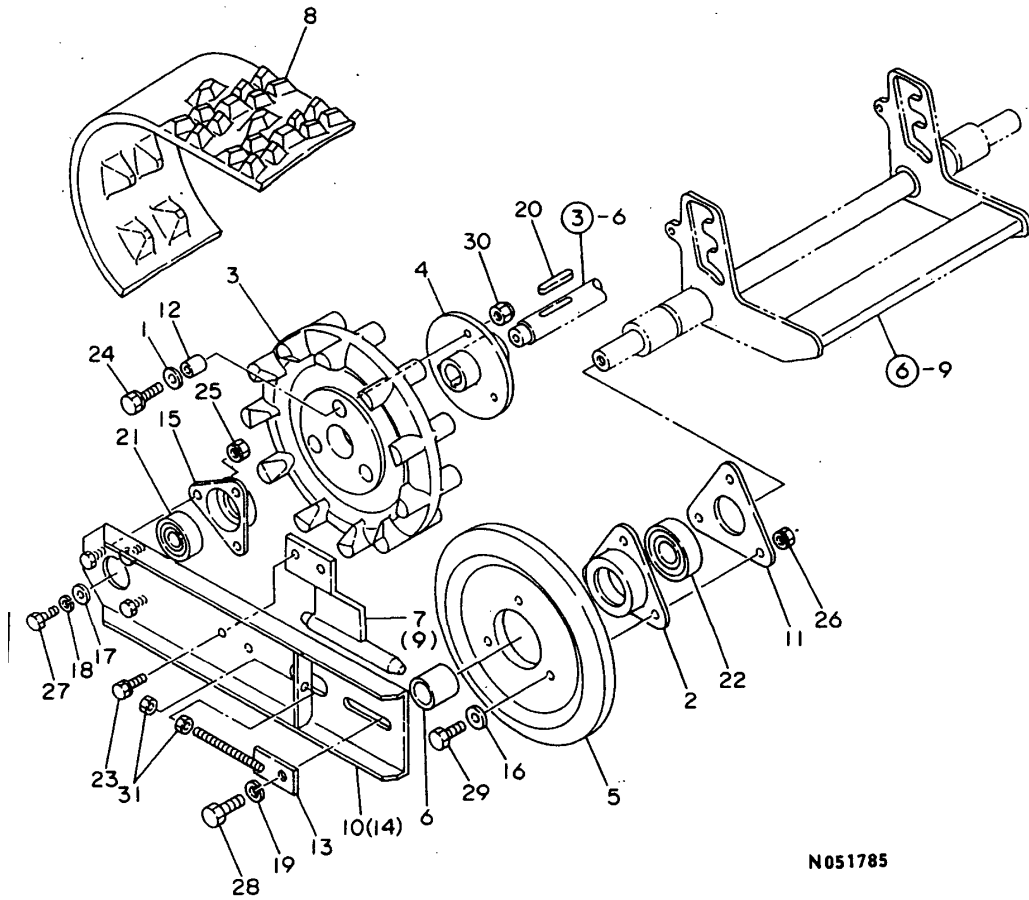
N051784

(A)=YSR60TE  
(B)=YSR60TEHL  
(C)=YSR60TEL.TEH  
(D)=YSR60TEF  
(E)=YSR60TEW  
(F)=YSR60TSE(H,W)

No.	Lev.	Parts No.	Description	Q'ty						I	R
				(A)	(B)	(C)	(D)	(E)	(F)		
1	1	1N1710-36400	COVER COMPL.,BELT	1	1						
1-1	1	1N1711-37000	COVER COMP.,BELT	1	1	1	1	1	1	1	S
		(A=F810001) (B=F810001)									
2	1	26018-060124	BOLT M 6X 12	3	3	3	3	3	3		

Fig.8. CRAWLER

8. CRAWLER



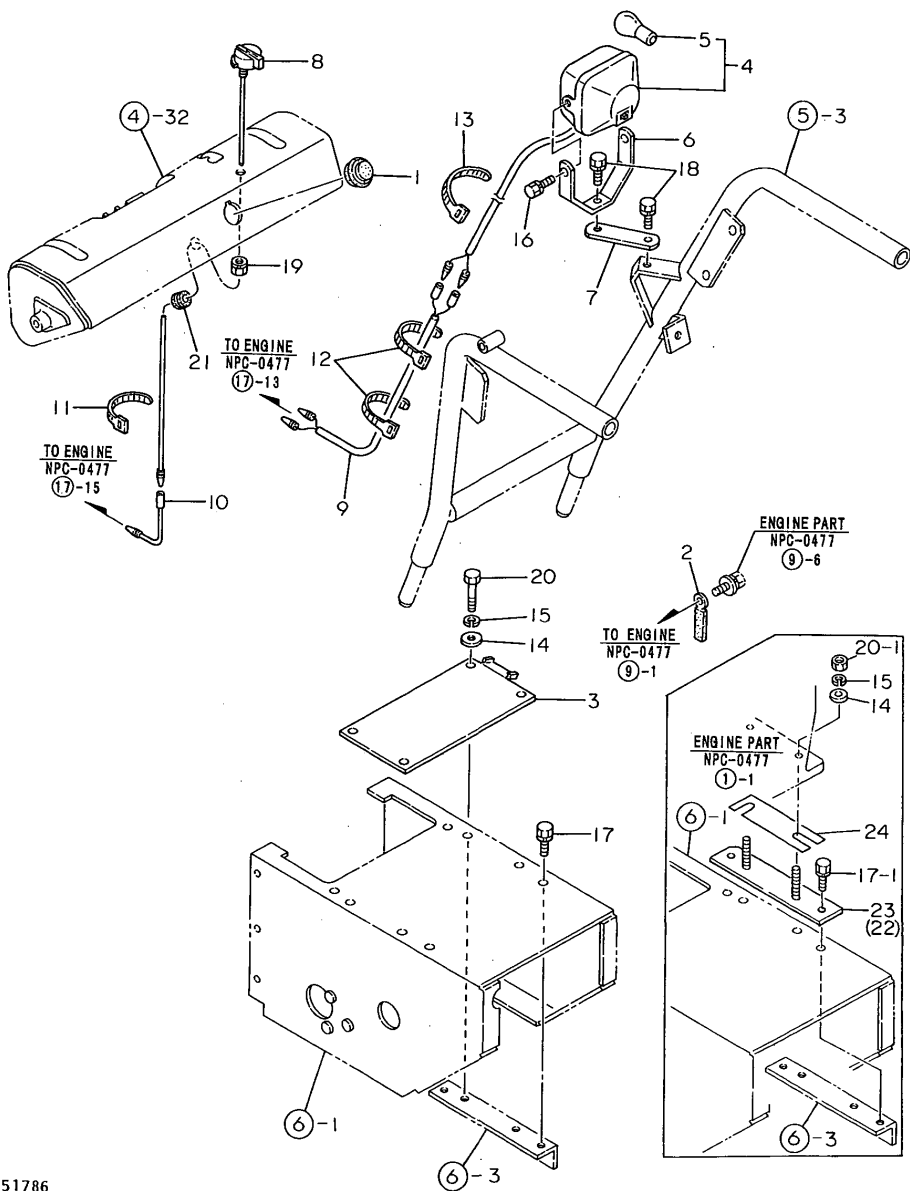
(A)=YSR60TE  
 (B)=YSR60TEHL  
 (C)=YSR60TEL.TEH  
 (D)=YSR60TEF  
 (E)=YSR60TEW  
 (F)=YSR60TSE(H,W)

No.	Lev.	Parts No.	Description	Q'ty						I	R
				(A)	(B)	(C)	(D)	(E)	(F)		
1	1	1J3999-02020	WASHER 8	6	6	6	6	6			
2	1	1J3000-20020	BEARING	2	2	2	2	2			
3	1	1N1570-38000	SPROCKET 11	2	2	2	2	2			
4	1	1N1710-38000	BOSS, SPROCKET	2	2	2	2	2			
5	1	1N1570-38010	RING, TOP	2	2	2	2	2			
6	1	1N1570-38020	COLLAR 21X27X26	2	2	2	2	2			
7	1	1N1710-38020	GUIDE L	1	1	1	1	1			
8	1	1N1570-38030	CRAWLER	2	2	2	2	2			
9	1	1N1710-38040	GUIDE R	1	1	1	1	1			
10	1	1N1570-38050	PLATE L, CRAWLER SIDE	1	1	1	1	1			
11	1	1N1570-38090	PLATE, BEARING KEEP	2	2	2	2	2			
12	1	1N1570-38130	COLLAR 8X14X9	6	6	6	6	6			
13	1	1N1570-38150	BOLT W/PIPE	2	2	2	2	2			
13-1	1	1N1570-38151	BOLT W/PIPE	2	2	2	2	2		N	
		(A=F010000)	(B=F010000)	(C=F010000)	(D=F010000)		(F=F010000)				
14	1	1N1570-38180	PLATE R, CRAWLER SIDE	1	1	1	1	1			
15	1	1N1570-38210	BEARING 6203B	2	2	2	2	2			
16	1	22137-080000	WASHER, 8	6	6	6	6	6			
17	1	22157-080000	WASHER, 8	2	2	2	2	2			
18	1	22217-080000	WASHER, SPRING 8	2	2	2	2	2			
19	1	22217-100000	WASHER, SPRING 10	2	2	2	2	2			
20	1	22512-050300	KEY, 5X 30	2	2	2	2	2			
21	1	24104-062034	BEARING, BALL 6203UU	2	2	2	2	2			
22	1	24104-063044	BEARING, BALL 6304UU	2	2	2	2	2			
23	1	26016-080204	BOLT M 8X 20	4	4	4	4	4			
24	1	26016-080302	BOLT, M8X 30	6	6	6	6	6			
25	1	26051-080002	NUT, M8	6	6	6	6	6			
26	1	26051-080002	NUT, M8	6	6	6	6	6			
27	1	26116-080252	BOLT, M8X 25 PLATED	2	2	2	2	2			
28	1	26116-100252	BOLT, M10X 25 PLATED	2	2	2	2	2			
29	1	26117-080252	BOLT M 8X 25 PLATED	6	6	6	6	6			
30	1	26347-080002	NUT, M8	6	6	6	6	6			
31	1	26717-080002	NUT, M8	4	4	4	4	4			



Fig.9. ENGINE & ELECTRICAL PARTS

9. ENGINE & ELECTRICAL PARTS



(A)=YSR60TE  
(B)=YSR60TEHL  
(C)=YSR60TEL.TEH  
(D)=YSR60TEF  
(E)=YSR60TEW  
(F)=YSR60TSE(H,W)

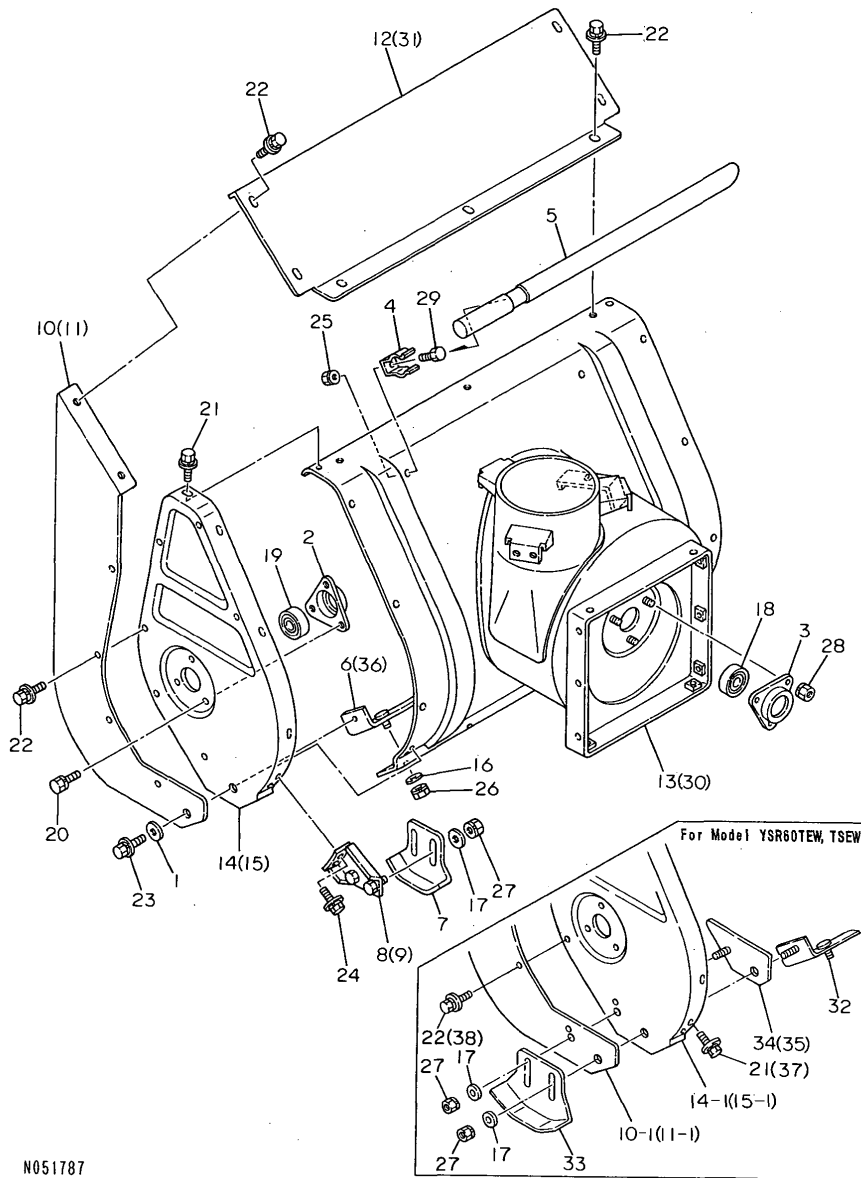
No.	Lev.	Parts No.	Description	Q'ty						I	R
				(A)	(B)	(C)	(D)	(E)	(F)		
1	1	1N1710-32180	GROMMET W/FILM	1	1	1	1	1			
2	1	1N1710-32600	CLAMP 8X70	2	2	2	2	2			
3	1	1N1710-36420	PAN,OIL	1	1					Z	
4	1	1N1711-51370	HEADLIGHT COMPL.		1						
4-1	1	1N1711-51850	HEADLIGHT COMPL.		1	1	1	1		S 1	
5	2	1N1730-51131	LAMP 12V-15W G23		1						
5-1	2	1N1711-51860	LAMP 12V-15W G23		1	1	1	1		S 1	
6	1	1N1711-51390	STAY,HEADLIGHT		1	1	1	1		1	
7	1	1N1711-51430	STAY TX,HEADLIGHT		1	1	1	1			
8	1	1N1711-51770	SWITCH,STOR	1	1	1	1	1			
9	1	1N1711-51780	HARNES EL,HEADLIGHT		1						
9-1	1	1N1711-51400	HARNES A,HEADLIGHT		1	1	1	1		S 1	
10	1	1N1711-51790	HARNES TE		1	1	1	1			
11	1	1E6460-83400	BAND 100		1	1	1	1			
12	1	1E6460-83400	BAND 100		2	2	2	2			
13	1	1E6102-84970	BAND 140,WIRE LOCK		2	2	2	2		1	
14	1	22137-080000	WASHER, 8		4	4	4	4			
15	1	22217-080000	WASHER, SPRING 8		4	4	4	4			
16	1	26016-060164	BOLT 6X16 W/L.W.		2	2	2	2		1	
17	1	26016-080164	BOLT M 8X 16		4	4					
17-1	1	26016-080204	BOLT M 8X 20		4	4	4	4		N	
18	1	26016-080164	BOLT M 8X 16		2	2	2	2		1	
19	1	26051-080002	NUT, M8		1	1	1	1			
20	1	26117-080402	BOLT 8X40		4	4					
20-1	1	26717-080002	NUT, M8		4	4	4	4		S	
21	1	29311-092000	GROMET, 8.5X2		1	1	1	1			
22	1	1N1711-51550	BASE L,ENGINE		1	1	1	1		W	
23	1	1N1711-51560	BASE R,ENGINE		1	1	1	1		W	
24	1	1N1720-51630	SEAT,ADJUSTING		2	2	2	2		W	

N051786

Remarks  
(1) NOT USED YSR60TEH.

Fig.10. SNOW REMOVING FRAME 1

10. SNOW REMOVING FRAME 1



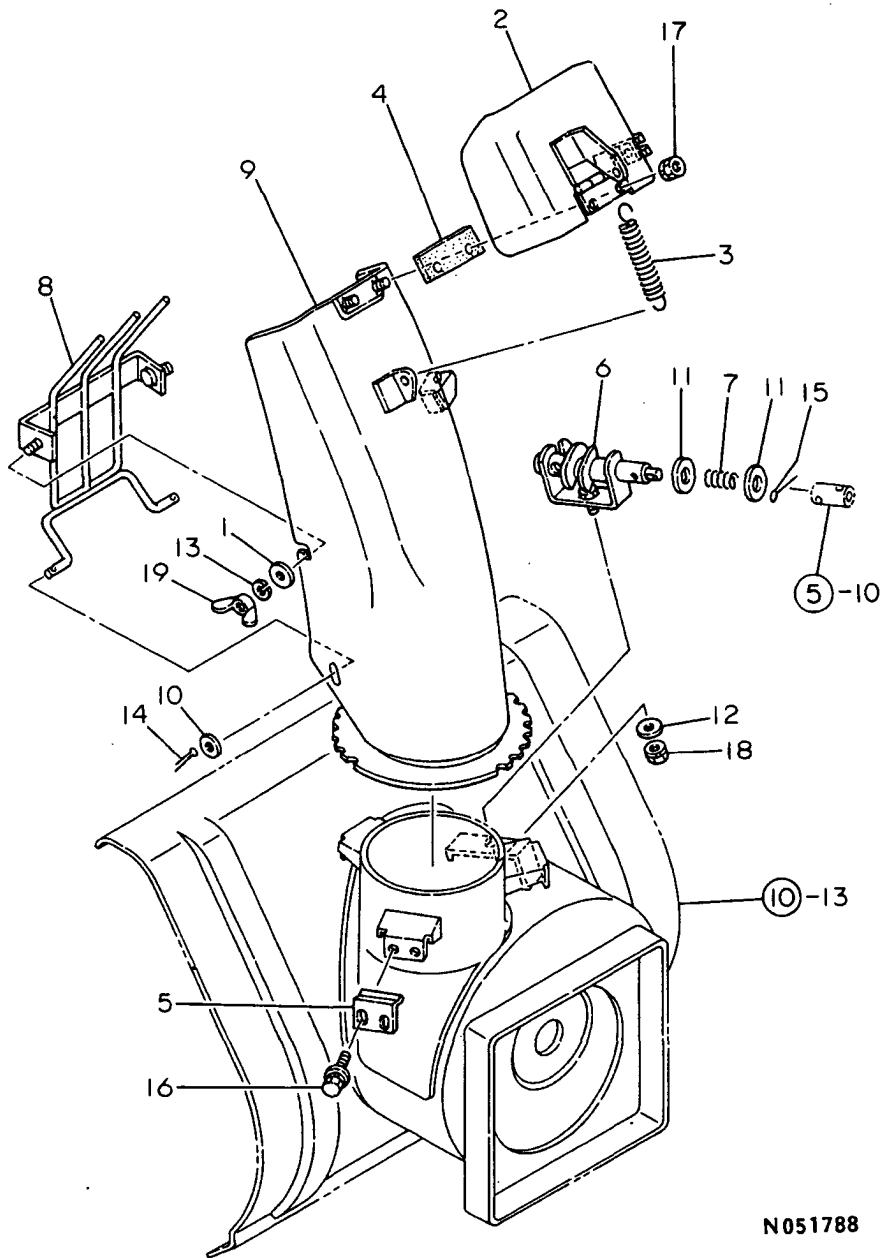
N051787

No.	Lev.	Parts No.	Description	Q'ty						I	R
				(A)	(B)	(C)	(D)	(E)	(F)		
1	1	1J3999-02010	WASHER 6	2	2	2	2	2	2		
2	1	1N1570-38200	BEARING 6203C	2	2	2	2	2	2		
3	1	1N1570-38210	BEARING 6203B	1	1	1	1	1	1		
4	1	1N1710-71060	METAL,LOCK	2	2	2	2	2	2		
5	1	1N1710-71071	ROD,SNOW SHOVELING	1	1	1	1	1	1		
6	1	1N1710-71100	PLATE,BOTTOM	1	1	1				1	
7	1	1N1711-71100	GUIDE	2	2	2	2	2	2		
8	1	1N1570-71200	FITTINGS L,GUIDE	1	1	1	1	1	1		
9	1	1N1570-71230	FITTINGS R,GUIDE	1	1	1	1	1	1		
10	1	1N1710-82301	COVER L COMP.AUX.	1	1						
10-1	1	1N1710-82302	COVER L COMPL.,AUX.	1	1	1	1	1	1	1	N
				(A=F810001)		(B=F810001)					
11	1	1N1710-82321	COVER R COMP.AUX.	1	1						
11-1	1	1N1710-82322	COVER R COMP.,AUX.	1	1	1	1	1	1	1	N
				(A=F810001)		(B=F810001)					
12	1	1N1710-82340	SUB AUGER COVER	1	1	1					1
13	1	1N1710-82601	CASE COMP.,AUGER	1	1						
13-1	1	1N1710-82602	CASE COMP.,AUGER	1	1	1					1
				(A=F810001)		(B=F810001)					
14	1	1N1710-82621	PLATE LE CMP,AGR.SD.	1	1						
14-1	1	1N1710-82622	PLATE L CMP,AUGER SD	1	1	1	1	1	1	1	R
				(A=F810001)		(B=F810001)					
15	1	1N1710-82641	PLATE RE CMP ARG.SD.	1	1						
15-1	1	1N1710-82642	PLATE R CMP,AUGER SD	1	1	1	1	1	1	1	R
				(A=F810001)		(B=F810001)					
16	1	22137-060000	WASHER, 6	5	5	5	5	5	5	5	
17	1	22137-080000	WASHER, 8	4	4	4	4	4	4	4	
18	1	24104-062034	BEARING, BALL 6203UU	1	1	1	1	1	1	1	
19	1	24104-062034	BEARING, BALL 6203UU	2	2	2	2	2	2	2	
20	1	26016-080164	BOLT M 8X 16	6	6	6	6	6	6	6	
21	1	26018-060124	BOLT M 6X 12	8	8	8	8	8	12	8	
22	1	26018-060124	BOLT M 6X 12	15	15	15	15	15	13	15	
23	1	26018-060124	BOLT M 6X 12	2	2	2	2	2	2	2	
24	1	26018-060164	BOLT M 6X 16	4	4	4	4	4	4	4	
25	1	26051-060002	NUT, M6	2	2	2	2	2	2	2	
26	1	26051-060002	NUT, M6	5	5	5	5	5	5	5	
27	1	26051-080002	NUT, M8	4	4	4	4	4	4	4	
28	1	26051-080002	NUT, M8	3	3	3	3	3	3	3	
29	1	26117-060122	BOLT M 6X 12 PLATED	2	2	2	2	2	2	2	
30	1	1N1711-71220	CASE COMP.,AUGER							1	1
30-1	1	1N1711-71221	CASE COMP.,AUGER							1	1
				(E=F81XXXX)							
31	1	1N1711-71230	COVER,AUX.TOP					1	1	1	1
32	1	1N1711-71450	PLATE,BOTTOM						1	1	1
33	1	1N1730-71451	GUARD						2	2	1
34	1	1N1711-71470	FITTINGS L,GUIDE						1	1	1
35	1	1N1711-71490	FITTINGS R,CUIDE						1	1	1
36	1	1N1711-71500	PLATE,BOTTOM					1			
37	1	26018-060124	BOLT M 6X 12								12
38	1	26018-060124	BOLT M 6X 12								13

Remarks  
(1) ONLY FOR YSR60TSEW.

Fig.11. CHUTE

11. CHUTE



N051788

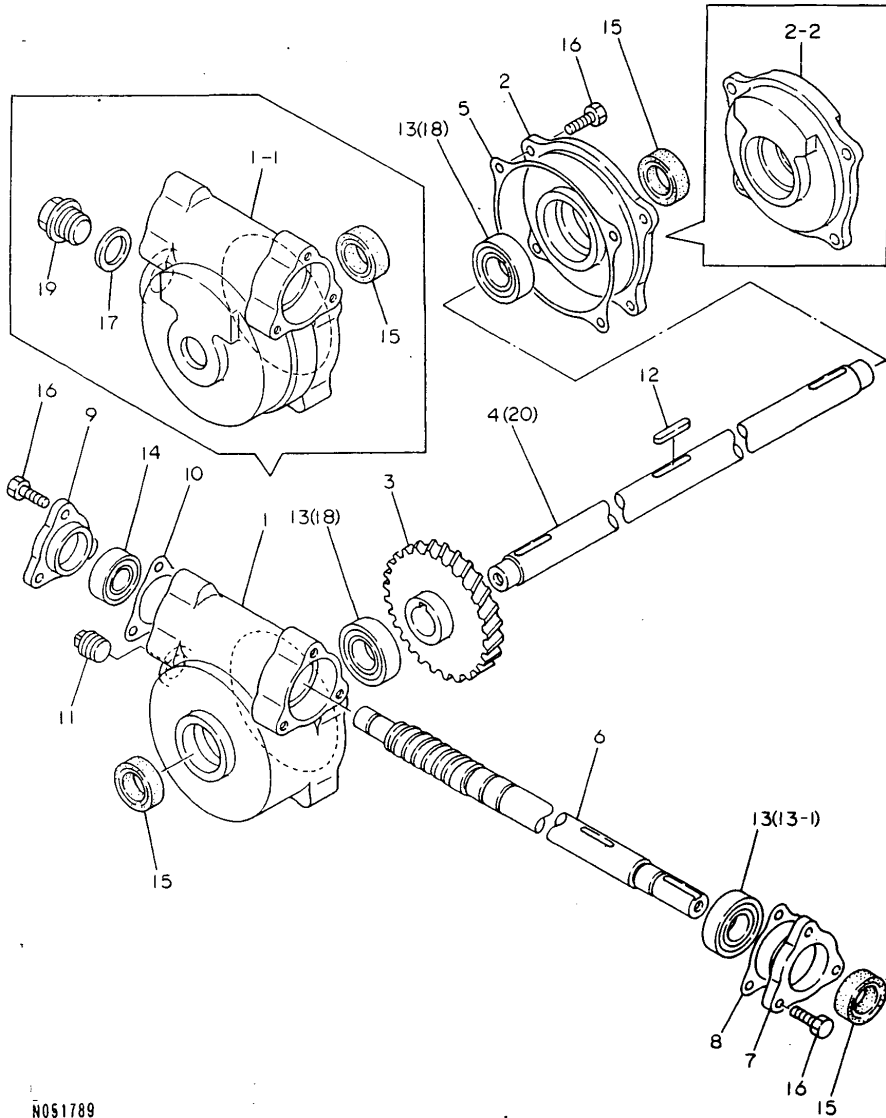
(A)=YSR60TE  
(B)=YSR60TEHL  
(C)=YSR60TEL.TEH

(D)=YSR60TEF  
(E)=YSR60TEW  
(F)=YSR60TSE(H,W)

No.	Lev.	Parts No.	Description	Q'ty						I	R
				(A)	(B)	(C)	(D)	(E)	(F)		
1	1	1J3999-02010	WASHER 6	2	2						
1-1	1	1N1711-73700	WASHER 6,CONICAL SPR	2	2	2	2	2	2	2	N
		(A=F810001)	(B=F810001)								
2	1	1N1710-73101	CAP COMPL,CHUTE	1	1	1	1	1	1	1	
3	1	1N1570-73150	SPRING,CHUTE	1	1	1	1	1	1	1	
4	1	1N1710-73150	RUBBER,SNOW PROTECT.	1	1	1	1	1	1	1	
5	1	1N1570-73160	RETAINER	3	3	3	3	3	3	3	
6	1	1N1570-73180	SPIRE,CHUTE	1	1	1	1	1	1	1	
7	1	1N1570-73270	SPRING B 19X28	1	1	1	1	1	1	1	
8	1	1N1710-82200	GUARD	1	1	1	1	1	1	1	
9	1	1N1710-82701	CHUTE E COMPL.	1	1						
9-1	1	1N1710-82702	CHUTE E COMPL.	1	1	1	1	1	1	1	N
		(A=F810001)	(B=F810001)								
10	1	22117-060000	WASHER, 6	2	2	2	2	2	2	2	
11	1	22117-140000	WASHER, 14	2	2	2	2	2	2	2	
12	1	22137-080000	WASHER, 8	1	1	1	1	1	1	1	
13	1	22217-060000	WASHER, SPRING 6	2	2	2	2	2	2	2	
14	1	22417-200120	COTTER PIN 2.0X12	2	2	2	2	2	2	2	
15	1	22417-320220	PIN, COTTER 3.2X22	1	1	1	1	1	1	1	
16	1	26018-060164	BOLT M 6X 16	6	6	6	6	6	6	6	
17	1	26051-060002	NUT, M6	2	2	2	2	2	2	2	
18	1	26051-080002	NUT, M8	1	1	1	1	1	1	1	
19	1	26635-060002	NUT, WING M6	2	2	2	2	2	2	2	

Fig.12. GEAR CASE

12. GEAR CASE



N051789

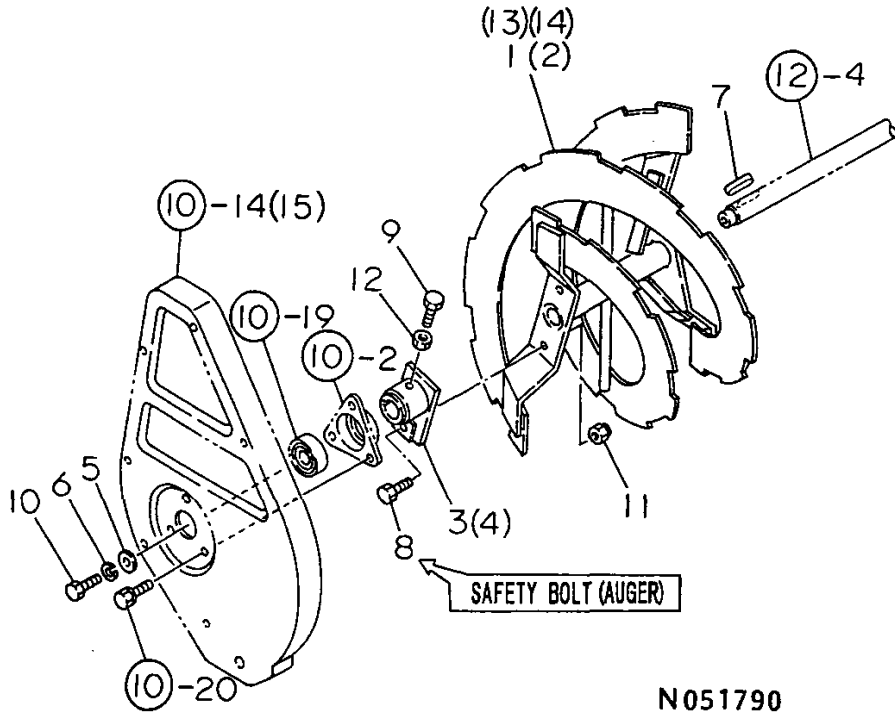
(A)=YSR60TE (D)=YSR60TEF  
 (B)=YSR60TEHL (E)=YSR60TEW  
 (C)=YSR60TEL.TEH (F)=YSR60TSE(H,W)

No.	Lev.	Parts No.	Description	Q'ty						I	R
				(A)	(B)	(C)	(D)	(E)	(F)		
1	1	1N1710-74000	CASE,GEAR	1	1						
1-1	1	1N1710-74001	CASE,GEAR	1	1	1	1	1	1	1	S
		(A=F810001) (B=F810001)									
1-2	1	1N1710-74002	CASE,GEAR	1	1	1	1	1	1	1	N
		(A=F81XXXX) (B=F81XXXX) (C=F81XXXX) (D=F81XXXX) (E=F81XXXX) (F=F81XXXX)									
2	1	1N1710-74010	COVER C,KEEP	1	1						
2-1	1	1N1710-74011	COVER C,KEEP	1	1	1	1	1	1	1	S
		(A=F810001) (B=F810001)									
2-2	1	1N1710-74012	COVER C,SNAP-IN	1	1	1	1	1	1	1	N
		(A=F81XXXX) (B=F81XXXX) (C=F81XXXX) (D=F81XXXX) (E=F81XXXX) (F=F81XXXX)									
3	1	1N1710-74020	WHEEL,WORM	1	1						
3-1	1	1N1710-74021	WHEEL,WORM	1	1	1	1	1	1	1	S
		(A=F810001) (B=F810001)									
4	1	1N1710-74030	SHAFT,AUGER	1	1	1					1
5	1	1N1570-74050	PACKING C	1	1	1	1	1	1	1	
6	1	1N1570-74100	SHAFT,WORM	1	1						
6-1	1	1N1570-74101	SHAFT,WORM	1	1	1	1	1	1	1	S
		(A=F810001) (B=F810001)									
7	1	1N1570-74110	COVER A,KEEP	1	1	1	1	1	1	1	
8	1	1N1570-74120	PACKING A	1	1	1	1	1	1	1	
9	1	1N1570-74130	COVER B,KEEP	1	1	1	1	1	1	1	
10	1	1N1570-74140	PACKING B	1	1	1	1	1	1	1	
11	1	1N1570-74150	PLUG	1	1						
11-1	1	23490-240002	PLAG (ASSY24	1	1	1	1	1	1	1	S
		(A=F810001) (B=F810001)									
11-2	1	23490-240002	PLAG (ASSY24	1	1	1	1	1	1	1	Z
		(A=F810001) (B=F810001)									
12	1	22512-050300	KEY, 5X 30	1	1	1	1	1	1	1	
13	1	24107-060044	BEARING, BALL 6004ZZ	3	3						
13-1	1	24107-060044	BEARING, BALL 6004ZZ	1	1	1	1	1	1	1	K
		(A=F810001) (B=F810001)									
14	1	24107-062024	BEARING, BALL 6202ZZ	1	1						
14-1	1	24101-062024	BEARING, BALL 6202	1	1						S
		(A=F810001) (B=F810001)									
14-2	1	24107-062024	BEARING, BALL 6202ZZ	1	1	1	1	1	1	1	N
		(A=F810001) (B=F810001)									
15	1	24421-203508	SEAL, OIL TC203508	3	3	3	3	3	3	3	
16	1	26016-060202	BOLT, M6X 20	10	10	10	10	10	10	10	
17	1	1N1711-74010	PACKING 20X28X2,CU	1	1	1	1	1	1	1	W
		(A=F810001) (B=F810001)									
18	1	24101-060044	BEARING, BALL 6004	2	2	2	2	2	2	2	W
		(A=F810001) (B=F810001)									
19	1	1N1711-74000	BOLT, DRAIN	1	1	1	1	1	1	1	W
		(A=F810001) (B=F810001)									
20	1	1N1720-74000	SHAFT,AUGER				1	1	1	1	1

Remarks  
 (1) ONLY FOR YSR60TSEW.

Fig.13. AUGER

# 13. AUGER



N051790

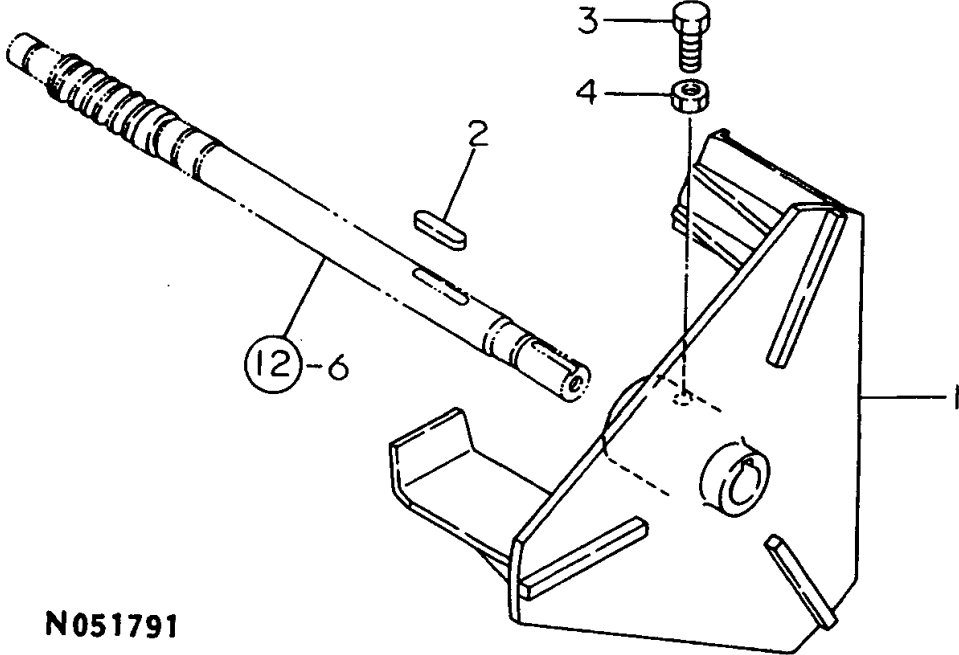
(A)=YSR60TE (D)=YSR60TEF  
 (B)=YSR60TEHL (E)=YSR60TEW  
 (C)=YSR60TEL.TEH (F)=YSR60TSE(H,W)

No.	Lev.	Parts No.	Description	Qty						I	R
				(A)	(B)	(C)	(D)	(E)	(F)		
1	1	1N1710-75001	AUGER L	1	1	1				1	
2	1	1N1710-75031	AUGER R	1	1	1				1	
3	1	1N1710-75041	FLANGE R	1	1	1	1	1	1	1	
4	1	1N1570-75151	FLANGE L	1	1	1	1	1	1	1	
5	1	22157-080000	WASHER, 8	2	2	2	2	2	2	2	
6	1	22217-080000	WASHER, SPRING 8	2	2	2	2	2	2	2	
7	1	22512-050300	KEY, 5X 30	2	2	2	2	2	2	2	
8	1	26116-060202	BOLT, M6X 20 PLATED	2	2	2	2	2	2	2	
9	1	26116-080162	BOLT, M8X 16 PLATED	2	2	2	2	2	2	2	
10	1	26116-080252	BOLT, M8X 25 PLATED	2	2	2	2	2	2	2	
11	1	26347-060002	NUT, M6	2	2	2	2	2	2	2	
12	1	26717-080002	NUT, M8	2	2	2	2	2	2	2	
13	1	1N1711-75000	AUGER L					1	1	1	1
14	1	1N1711-75010	AUGER R					1	1	1	1

Remarks  
 (1) ONLY FOR YSR60TSEW.

Fig.14. BLOWER

# 14. BLOWER



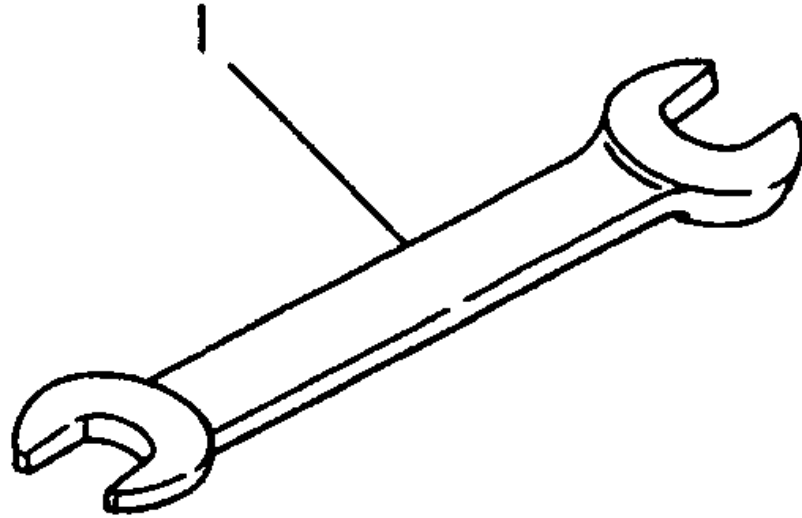
N051791

No.	Lev.	Parts No.	Description	Q'ty						I	R
				(A)	(B)	(C)	(D)	(E)	(F)		
1	1	1N1711-76000	BOLOWER COP	1	1	1	1	1	1		
2	1	22512-050300	KEY, 5X 30	1	1	1	1	1	1		
3	1	26116-080202	BOLT, M8X 20 PLATED	1	1	1	1	1	1		
4	1	26717-080002	NUT, M8	1	1	1	1	1	1		

N:Old  $\begin{matrix} \leftarrow \text{Yes} \\ \text{No} \rightarrow \end{matrix}$  New, Q:Old  $\begin{matrix} \leftarrow \text{No} \\ \text{Yes} \rightarrow \end{matrix}$  New, R:Old  $\begin{matrix} \leftarrow \text{Yes} \\ \text{Yes} \rightarrow \end{matrix}$  New, S:Old  $\begin{matrix} \leftarrow \text{No} \\ \text{No} \rightarrow \end{matrix}$  New, W:Add, Z:Discontinued, F:Interchangeable by set, K:Q'ty Change  
 Copyright (C) YANMAR CO., LTD. All Rights Reserved.

Fig.15. TOOLS

# 15. TOOLS



(A)=YSR60TE  
 (B)=YSR60TEHL  
 (C)=YSR60TEL.TEH

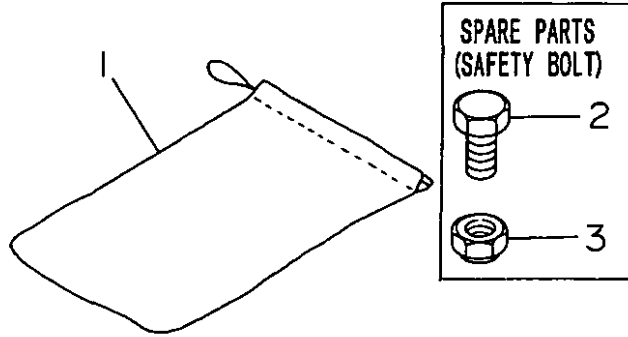
(D)=YSR60TEF  
 (E)=YSR60TEW  
 (F)=YSR60TSE(H,W)

No.	Lev.	Parts No.	Description	Q'ty						I	R
				(A)	(B)	(C)	(D)	(E)	(F)		
1	1	28110-100120	SPANNER, 10X12	1	1	1	1	1	1		

N:Old  $\frac{Yes}{No}$  New, Q:Old  $\frac{No}{Yes}$  New, R:Old  $\frac{Yes}{Yes}$  New, S:Old  $\frac{No}{No}$  New, W:Add, Z:Discontinued, F:Interchangeable by set, K:Q'ty Change  
 Copyright (C) YANMAR CO., LTD. All Rights Reserved.

Fig.16. ACCESSORIES E

# 16. ACCESSORIES E



(A)=YSR60TE  
 (B)=YSR60TEHL  
 (C)=YSR60TEL.TEH  
 (D)=YSR60TEF  
 (E)=YSR60TEW  
 (F)=YSR60TSE(H,W)

No.	Lev.	Parts No.	Description	Qty						I	R
				(A)	(B)	(C)	(D)	(E)	(F)		
1	1	1F1150-92000	BAG,TOOL	1	1	1	1	1	1		
2	1	26116-060202	BOLT, M6X 20 PLATED	10	10	10	10	10	10		1
3	1	26347-060002	NUT, M6	10	10	10	10	10	10		1

---

---

---

---

---

---

---

---

---

---

---

---

---

---

---

---

---

---

---

---

---

---

---

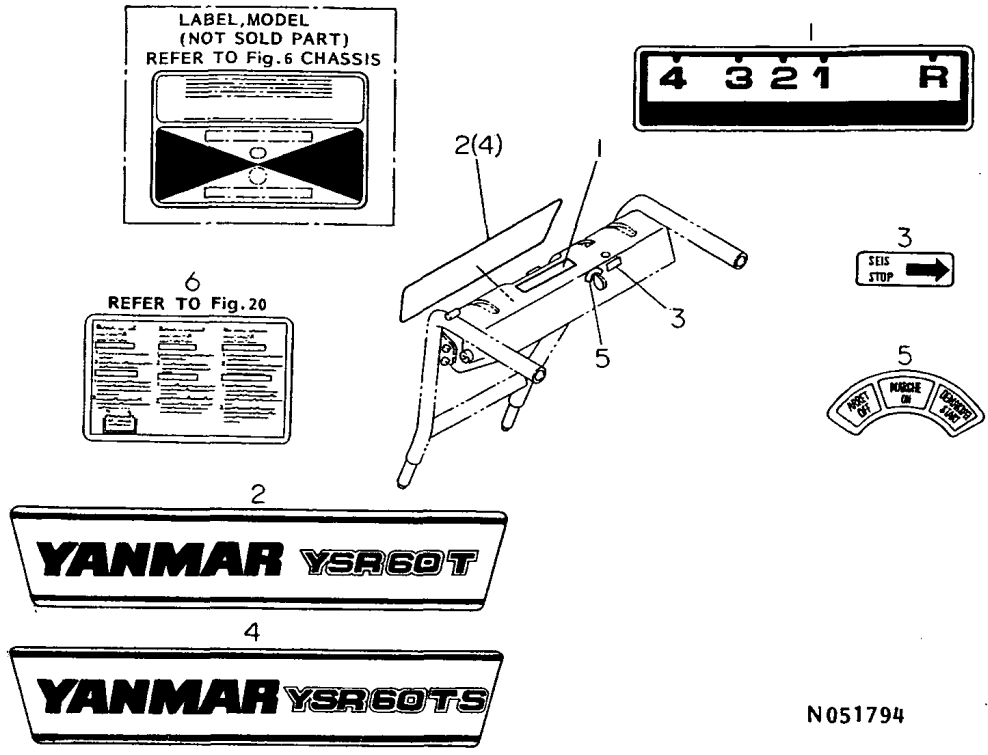
---

Remarks  
 (1) IT IS A SPARE PART FOR SAFETY BOLT, GROUP NO.13, REF. NO.8.



Fig.17. MARKS

17. MARKS



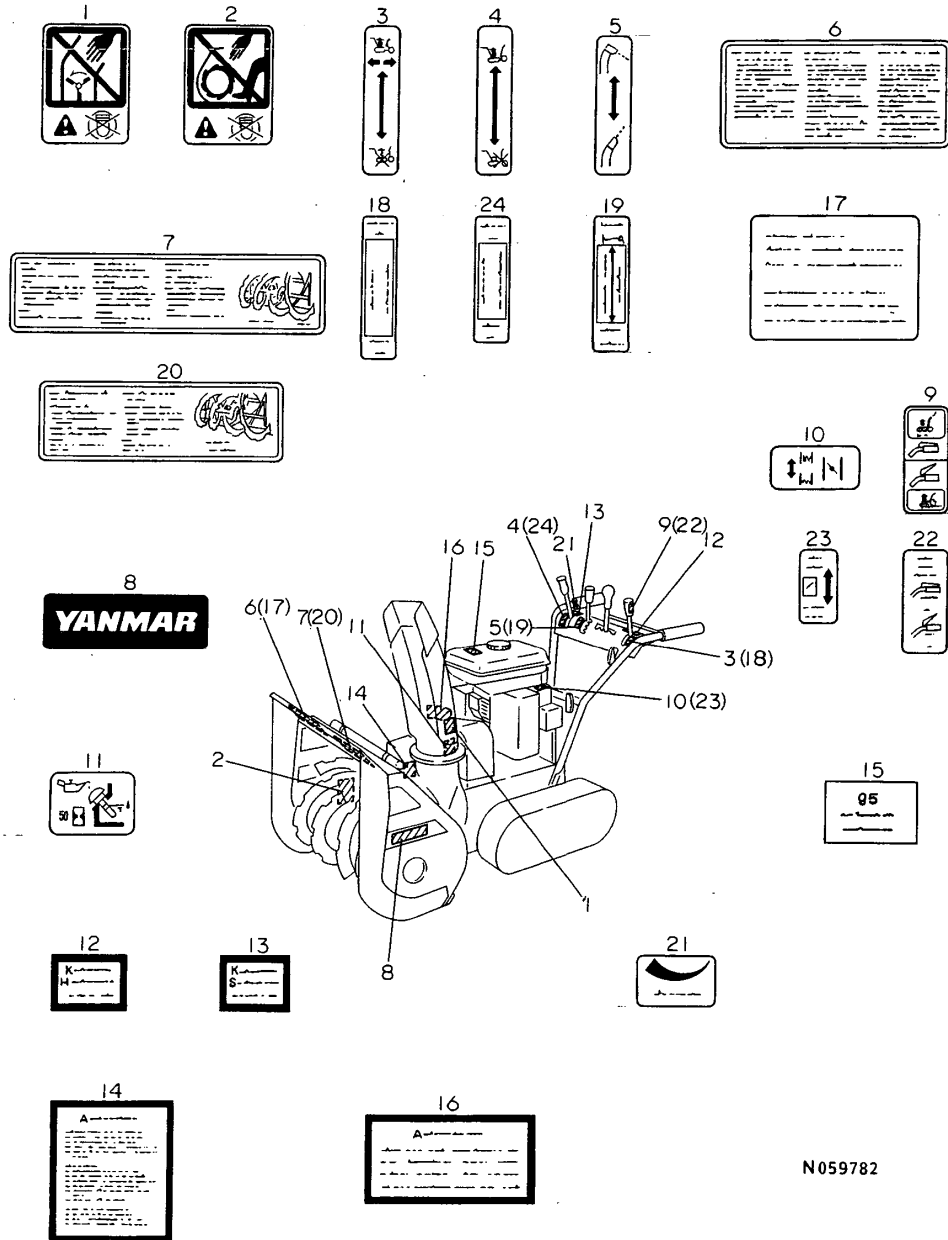
N051794

(A)=YSR60TE (D)=YSR60TEF  
 (B)=YSR60TEHL (E)=YSR60TEW  
 (C)=YSR60TEL.TEH (F)=YSR60TSE(H,W)

No.	Lev.	Parts No.	Description	Q'ty						I	R
				(A)	(B)	(C)	(D)	(E)	(F)		
1	1	1N1710-67150	MARK B,CHANGE	1	1	1	1	1	1		
2	1	1N1710-67420	MARK "YSR60T",MODEL	1	1	1	1	1			
3	1	1N1711-68330	MARK,ENGINE STOP	1	1	1	1	1			W
4	1	(A=F810001) 1N1710-67430	MARK "YSR60TS",MODEL								1
5	1	1N1711-68170	MARK,SWITCH								1
6	1	1N1711-68180	LABEL,BATTERY CAUT'N								1

Fig.18. MARKS 13

18. MARKS 13



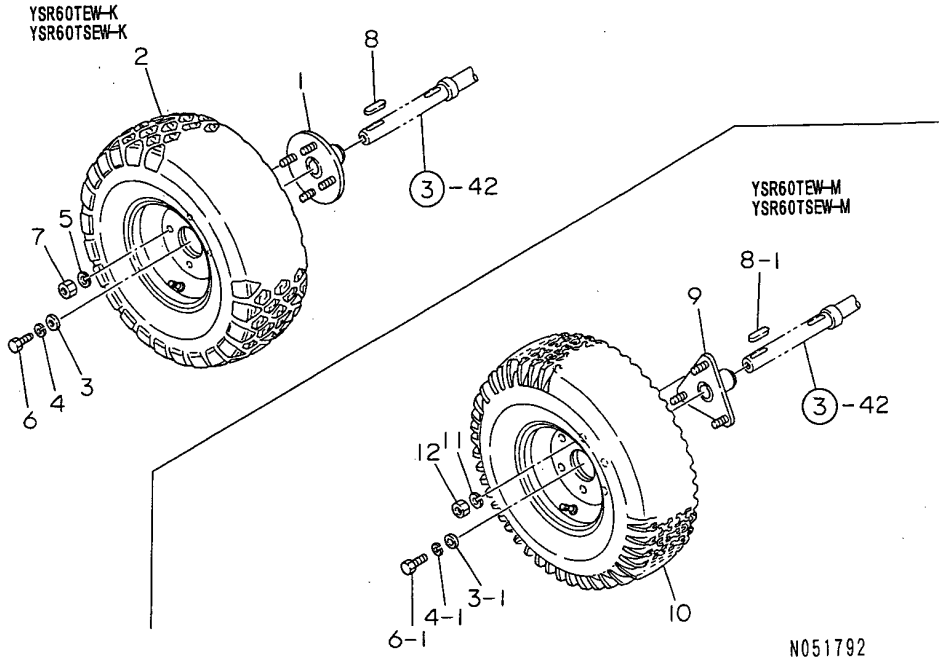
N059782

(A)=YSR60TE  
(B)=YSR60TEHL  
(C)=YSR60TEL.TEH  
(D)=YSR60TEF  
(E)=YSR60TEW  
(F)=YSR60TSE(H,W)

No.	Lev.	Parts No.	Description	Q'ty						I	R
				(A)	(B)	(C)	(D)	(E)	(F)		
1	1	1N1711-68100 (A=F810001) (B=F810001)	MARK,SAFETY CAUTION	1	1	1	1	1	1	1	W
2	1	1N1711-68110 (A=F810001) (B=F810001)	MARK B,SAFETY CAUT'N	1	1	1	1	1	1	1	W
3	1	1N1711-68120 (A=F810001) (B=F810001)	MARK,TRAVEL CLUTCH	1	1	1	1	1	1	1	W
4	1	1N1711-68130 (A=F810001) (B=F810001)	MARK,SNOW REM.CLUCH	1	1	1	1	1	1	1	W
5	1	1N1711-68140 (A=F810001) (B=F810001)	MARK,SNOW THROW.IND	1	1	1	1	1	1	1	W
6	1	1N1711-68150 (A=F810001) (B=F810001)	LABEL,CAUTION	1	1	1	1	1	1	1	W
7	1	1N1711-68160 (A=F810001) (B=F810001)	LABEL,BOLT REPLACMT	1	1	1	1	1	1	1	W
8	1	1N1711-68190 (A=F810001) (B=F810001)	MARK C "YANMAR"	2	2	2	2	2	2	2	W
9	1	1N1711-68200 (A=F810001) (B=F810001)	MARK,DEADMAN CLUCH	1	1	1	1	1	1	1	W
10	1	1N1711-68210 (A=F810001) (B=F810001)	LABEL,CHOKE	1	1	1	1	1	1	1	W
11	1	1N1711-68220 (A=F810001) (B=F810001)	MARK,OIL CHECK	1	1	1	1	1	1	1	W
12	1	1N1711-68240 (A=F810001) (B=F810001)	MARK B,TRAVEL CLUTCH	1	1	1	1	1	1	1	W
13	1	1N1711-68250 (A=F810001) (B=F810001)	MARK B,SNOW REM,CLTC	1	1	1	1	1	1	1	W
14	1	1N1711-68260 (A=F810001) (B=F810001)	MARK,AUGER CAUTION	1	1	1	1	1	1	1	W
15	1	1N1711-68270 (A=F810001) (B=F810001)	MARK,FUEL TANK	1	1	1	1	1	1	1	W
16	1	1N1711-68280 (A=F810001) (B=F810001)	MARK,CHUTE CAUTION	1	1	1	1	1	1	1	W
17	1	1N1711-68290 (A=F810001) (B=F810001)	MARK,SAFETY CAUTION	1	1	1	1	1	1	1	W
18	1	1N1711-68300 (A=F810001) (B=F810001)	MARK C,TRAVEL CLUTCH	1	1	1	1	1	1	1	W
19	1	1N1711-68310 (A=F810001) (B=F810001)	MARK,SNOW THROW.IND	1	1	1	1	1	1	1	W
20	1	1N1711-68320 (A=F810001) (B=F810001)	LABEL C,BOLT REPLMT	1	1	1	1	1	1	1	W
21	1	1N1711-68340 (A=F810001) (B=F810001)	MARK,ACCELERATOR	1	1	1	1	1	1	1	W
22	1	1N1711-68350 (A=F810001) (B=F810001)	MARK C,DEADMAN CLTCH	1	1	1	1	1	1	1	W
23	1	1N1711-68360 (A=F810001) (B=F810001)	LABEL C,CHOKE	1	1	1	1	1	1	1	W
24	1	1N1711-68380 (A=F810001) (B=F810001)	MARK C,SNOW REW,CLTC	1	1	1	1	1	1	1	W

Fig.19. TIRE(ADED GROUP)

19 . TIRE (ADDED GROUP)



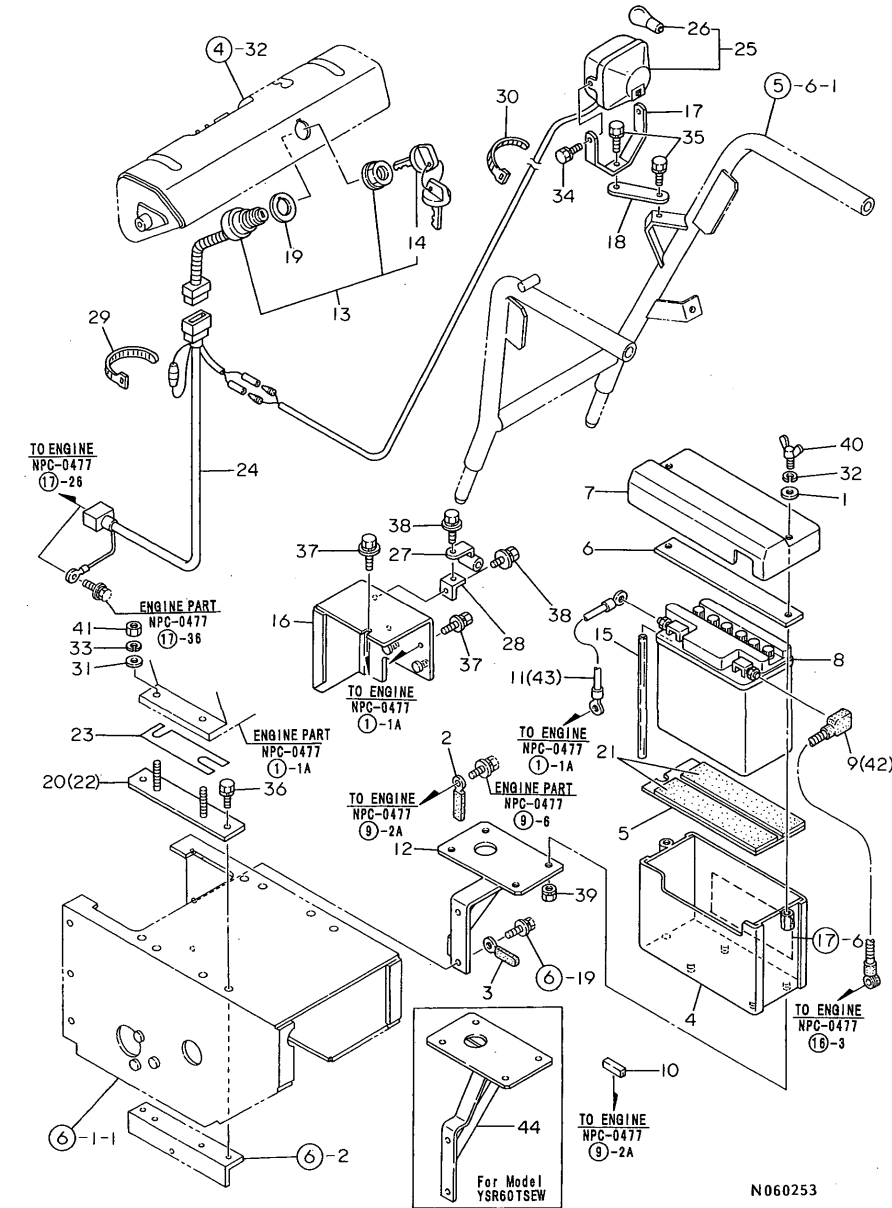
(A)=YSR60TE (D)=YSR60TEF  
 (B)=YSR60TEHL (E)=YSR60TEW  
 (C)=YSR60TEL.TEH (F)=YSR60TSE(H,W)

No.	Lev.	Parts No.	Description	Qty						I	R
				(A)	(B)	(C)	(D)	(E)	(F)		
1	1	1N1711-38000	HUB WITH BEARING					2	2		
2	1	1N1711-38100	TIRE 14,BRIDGESTONE					2	2		
3	1	22157-080000	WASHER, 8					2			
3-1	1	22157-080000	WASHER, 8					4	4	K	
				(E=F81XXXX)							
4	1	22217-080000	WASHER, SPRING 8					2			
4-1	1	22217-080000	WASHER, SPRING 8					4	4	K	
				(E=F81XXXX)							
5	1	22217-100000	WASHER, SPRING 10					8	8		
6	1	26116-080252	BOLT, M8X 25 PLATED					2			
6-1	1	26116-080252	BOLT, M8X 25 PLATED					4	4	K	
				(E=F81XXXX)							
7	1	26717-100002	NUT, M10					8	8		
8	1	22512-050300	KEY, 5X 30					2			
8-1	1	22512-050300	KEY, 5X 30					4	4	K	
				(E=F81XXXX)							
9	1	1N1711-38050	HOB					2	2	W	
				(E=F81XXXX)							
10	1	1N1711-38110	TIRE 14,OTSU					2	2	W	
				(E=F81XXXX)							
11	1	22217-080000	WASHER, SPRING 8					6	6	W	
				(E=F81XXXX)							
12	1	26717-080002	NUT, M8					6	6	W	
				(E=F81XXXX)							

Fig.20. ENGINE & ELECTRICAL PARTS 7(ADDED GROUP)

(A)=YSR60TE (D)=YSR60TEF  
 (B)=YSR60TEHL (E)=YSR60TEW  
 (C)=YSR60TEL.TEH (F)=YSR60TSE(H,W)

20. ENGINE & ELECTRICAL PARTS 7(ADDED GROUP)



No.	Lev.	Parts No.	Description	Q'ty						I	R	
				(A)	(B)	(C)	(D)	(E)	(F)			
1	1	1J3999-02010	WASHER 6								2	
2	1	1N1710-32600	CLAMP 8X70								3	
3	1	1N1710-32600	CLAMP 8X70								1	
4	1	1N1711-51030	CASE COMP.,BATTERY								1	
5	1	1N1711-51100	PLATE 60,BATTERY BTM								1	
6	1	1N1711-51110	PLATE 60,KEEP								1	
7	1	1N1711-51130	COVER 60,BATTERY								1	
8	1	1N1710-51220	BATTERY								1	
9	1	1N1710-51232	CABLE,BATTERY POS.								1	
10	1	1N1721-51230	MOLDINGS 30,HOSE								1	
11	1	1N1710-51240	CABLE,BATTERY NEG.								1	
12	1	1N1710-51250	MOUNT,BATTERY								1	
13	1	1N1711-51250	SWITCH COMPL.,KEY								1	
14	2	1N1711-51240	KEY								1	
15	1	1N1710-51350	PIPE,VINYL								1	
16	1	1N1710-51371	COVER,STARTING,MOTOR								1	
17	1	1N1711-51390	STAY,HEADLIGHT								1	
18	1	1N1711-51430	STAY TX,HEADLIGHT								1	
19	1	1N1710-51520	SPACER,SWITCH								1	
20	1	1N1711-51550	BASE L,ENGINE								1	
21	1	1N1720-51550	RUBBER,LINING								2	
22	1	1N1711-51560	BASE R,ENGINE								1	
23	1	1N1720-51630	SEAT,ADJUSTING								2	
24	1	1N1721-51630	HARNESS E								1	
25	1	1N1711-51850	HEADLIGHT COMPL.								1	
26	2	1N1711-51860	LAMP 12V-15W G23								1	
27	1	1N1710-73340	GUIDE,HANDLE								1	
28	1	1N1710-73390	BRACKET,MOUNTING								1	
29	1	1E6102-84970	BAND 140,WIRE LOCK								1	
30	1	1E6102-84970	BAND 140,WIRE LOCK								2	
31	1	22137-080000	WASHER, 8								4	
32	1	22217-060000	WASHER, SPRING 6								2	
33	1	22217-080000	WASHER, SPRING 8								4	
34	1	26016-060164	BOLT 6X16 W/L.W.								2	
35	1	26016-080164	BOLT M 8X 16								2	
36	1	26016-080204	BOLT M 8X 20								4	
37	1	26018-060164	BOLT M 6X 16								2	
38	1	26018-060164	BOLT M 6X 16								2	
39	1	26051-080002	NUT, M8								4	
40	1	26647-060402	BOLT, WING M6X40								2	
41	1	26717-080002	NUT, M8								4	
42	1	1N1711-51900	CABLE,BATTERY POS.								1	1
43	1	1N1711-51910	CABLE,BATTERY EARTH								1	1
44	1	1N1711-51920	HOLDER, BATTERY								1	1

Remarks  
 (1) ONLY FOR YSR60TSEW.

## Parts No. Index

Parts No.	Fig. No.	Ref. No.
1A1040-58160	4	27
1A1140-58050	4	26
1E6025-65310	4	30
1E6102-84970	5	19
	9	13
	20	29
		30
1E6460-83400	4	36
		37
	9	11
		12
1F1150-64270	4	29
1F1150-92000	16	1
1J3000-20020	8	2
1J3999-02010	10	1
	11	1
	20	1
1J3999-02020	8	1
1N1570-12160	1	4
1N1570-12161	1	4 -1
1N1570-12200	1	5
1N1570-12280	1	10
1N1570-12350	1	15
1N1570-12450	1	17
1N1570-21070	3	9
1N1570-21090	3	11
1N1570-21100	3	12
1N1570-21170	3	13
1N1570-21200	3	14
1N1570-21300	3	17
1N1570-21600	3	19
1N1570-32290	4	3
		4
1N1570-32320	4	5
1N1570-32620	5	1
1N1570-32760	4	8
1N1570-32770	4	9
1N1570-32950	4	11
		12
1N1570-36150	6	4
1N1570-36210	6	6
1N1570-36220	6	7
1N1570-36351	6	10
1N1570-38000	8	3
1N1570-38010	8	5
1N1570-38020	3	20
	8	6
1N1570-38030	8	8
1N1570-38050	8	10
1N1570-38090	8	11

Parts No.	Fig. No.	Ref. No.
1N1570-38130	8	12
1N1570-38150	8	13
1N1570-38151	8	13 -1
1N1570-38180	8	14
1N1570-38200	10	2
1N1570-38210	8	15
	10	3
1N1570-71200	10	8
1N1570-71230	10	9
1N1570-73150	11	3
1N1570-73160	11	5
1N1570-73180	11	6
1N1570-73241	5	9
1N1570-73242	5	9 -1
1N1570-73250	5	10
1N1570-73260	5	11
1N1570-73270	11	7
1N1570-73350	5	8 -1
		46
1N1570-74050	12	5
1N1570-74100	12	6
1N1570-74101	12	6 -1
1N1570-74110	12	7
1N1570-74120	12	8
1N1570-74130	12	9
1N1570-74140	12	10
1N1570-74150	12	11
1N1570-75151	13	4
1N1710-12101	1	3
1N1710-12201	1	6
1N1710-12202	1	6 -1
1N1710-12203	1	6 -2
1N1710-12240	1	9
1N1710-12301	1	12
1N1710-12320	1	13
1N1710-12330	1	14
1N1710-12400	1	16
1N1710-21001	3	1
1N1710-21010	3	3
1N1710-21021	3	5
1N1710-21022	3	5 -1
1N1710-21030	3	6
1N1710-21050	3	7
1N1710-21201	3	15
1N1710-21202	3	15 -1
1N1710-21320	3	18
1N1710-32150	4	1
1N1710-32180	9	1
1N1710-32280	4	2
1N1710-32380	4	6

Parts No.	Fig. No.	Ref. No.
1N1710-32600	4	7
	9	2
	20	2
		3
1N1710-32851	4	10
1N1710-32852	4	10 -1
1N1710-32960	4	13
1N1710-32980	4	14
1N1710-33000	4	15
1N1710-33050	4	16
1N1710-33080	4	17
1N1710-33090	4	18
1N1710-33150	4	19
1N1710-33151	4	19 -1
1N1710-33230	2	8
	5	32
1N1710-36000	6	1
1N1710-36001	6	1 -1
1N1710-36060	6	2
1N1710-36080	6	3
1N1710-36200	6	5
1N1710-36201	6	5 -1
1N1710-36220	6	8
1N1710-36221	6	8 -1
1N1710-36222	6	8 -2
1N1710-36231	6	9
1N1710-36232	6	9 -1
1N1710-36370	6	11
1N1710-36400	7	1
1N1710-36420	9	3
1N1710-38000	8	4
1N1710-38020	8	7
1N1710-38040	8	9
1N1710-51220	20	8
1N1710-51232	20	9
1N1710-51240	20	11
1N1710-51250	20	12
1N1710-51350	20	15
1N1710-51371	20	16
1N1710-51520	20	19
1N1710-67150	17	1
1N1710-67420	17	2
1N1710-67430	17	4
1N1710-71060	10	4
1N1710-71071	10	5
1N1710-71100	10	6
1N1710-73101	11	2
1N1710-73140	5	8
1N1710-73150	11	4
1N1710-73311	5	44

Parts No.	Fig. No.	Ref. No.
1N1710-73340	20	27
1N1710-73390	20	28
1N1710-74000	12	1
1N1710-74001	12	1 -1
1N1710-74002	12	1 -2
1N1710-74010	12	2
1N1710-74011	12	2 -1
1N1710-74012	12	2 -2
1N1710-74020	12	3
1N1710-74021	12	3 -1
1N1710-74030	12	4
1N1710-75001	13	1
1N1710-75031	13	2
1N1710-75041	13	3
1N1710-82000	5	12
1N1710-82020	5	13
1N1710-82041	5	14
1N1710-82042	5	14 -1
1N1710-82043	5	14 -2
1N1710-82081	4	31
1N1710-82082	4	31 -1
1N1710-82110	5	15
1N1710-82111	5	15 -1
1N1710-82120	5	16
1N1710-82131	5	17
1N1710-82140	5	18
1N1710-82200	11	8
1N1710-82250	1	18
1N1710-82251	1	18 -1
1N1710-82301	10	10
1N1710-82302	10	10 -1
1N1710-82321	10	11
1N1710-82322	10	11 -1
1N1710-82340	10	12
1N1710-82401	4	32
1N1710-82421	4	33
1N1710-82422	4	33 -1
1N1710-82440	4	34
1N1710-82441	4	34 -1
		35
1N1710-82601	10	13
1N1710-82602	10	13 -1
1N1710-82621	10	14
1N1710-82622	10	14 -1
1N1710-82641	10	15
1N1710-82642	10	15 -1
1N1710-82701	11	9
1N1710-82702	11	9 -1
1N1711-12010	1	1
1N1711-12030	1	2

## Parts No. Index

Parts No.	Fig. No.	Ref. No.
1N1711-12200	1	7
		8
1N1711-12280	1	11
1N1711-12550	1	41
1N1711-13000	2	1
1N1711-13020	2	2
		2 -1
1N1711-13070	2	3
1N1711-13090	2	4
1N1711-13100	2	5
1N1711-13130	2	6
1N1711-13140	2	7
1N1711-13200	1	44
1N1711-13201	1	44 -1
1N1711-13250	1	41 -1
1N1711-21001	3	2
1N1711-21002	3	2 -1
1N1711-21010	3	4
1N1711-21050	3	8
1N1711-21080	3	10
1N1711-21081	3	10 -1
1N1711-21500	3	42
1N1711-21520	3	43
1N1711-21530	3	44
1N1711-32761	5	41
1N1711-32790	5	2
1N1711-35000	5	3
1N1711-35001	5	3 -1
1N1711-35050	5	4
1N1711-35051	5	4 -1
1N1711-35110	5	5
1N1711-35130	5	6
1N1711-35131	5	6 -1
1N1711-35200	4	20
1N1711-35210	4	21
1N1711-35211	4	21 -1
1N1711-35220	4	22
1N1711-35250	4	23
1N1711-35300	5	7
1N1711-35350	2	9
	5	33
1N1711-35470	4	34 -2
		35 -1
1N1711-35500	5	42
1N1711-35510	5	43
1N1711-35520	5	34
1N1711-37000	7	1 -1
1N1711-38000	19	1
1N1711-38050	19	9
1N1711-38100	19	2

Parts No.	Fig. No.	Ref. No.
1N1711-38110	19	10
1N1711-51030	20	4
1N1711-51100	20	5
1N1711-51110	20	6
1N1711-51130	20	7
1N1711-51240	20	14
1N1711-51250	20	13
1N1711-51370	9	4
1N1711-51390	9	6
	20	17
1N1711-51400	9	9 -1
1N1711-51430	9	7
	20	18
1N1711-51550	9	22
	20	20
1N1711-51560	9	23
	20	22
1N1711-51770	9	8
1N1711-51780	9	9
1N1711-51790	9	10
1N1711-51850	9	4 -1
	20	25
1N1711-51860	9	5 -1
	20	26
1N1711-51900	20	42
1N1711-51910	20	43
1N1711-51920	20	44
1N1711-68100	18	1
1N1711-68110	18	2
1N1711-68120	18	3
1N1711-68130	18	4
1N1711-68140	18	5
1N1711-68150	18	6
1N1711-68160	18	7
1N1711-68170	17	5
1N1711-68180	17	6
1N1711-68190	18	8
1N1711-68200	18	9
1N1711-68210	18	10
1N1711-68220	18	11
1N1711-68240	18	12
1N1711-68250	18	13
1N1711-68260	18	14
1N1711-68270	18	15
1N1711-68280	18	16
1N1711-68290	18	17
1N1711-68300	18	18
1N1711-68310	18	19
1N1711-68320	18	20
1N1711-68330	17	3

Parts No.	Fig. No.	Ref. No.
1N1711-68340	18	21
1N1711-68350	18	22
1N1711-68360	18	23
1N1711-68380	18	24
1N1711-71100	10	7
1N1711-71220	10	30
1N1711-71221	10	30 -1
1N1711-71230	10	31
1N1711-71450	10	32
1N1711-71470	10	34
1N1711-71490	10	35
1N1711-71500	10	36
1N1711-73700	11	1 -1
1N1711-74000	12	19
1N1711-74010	12	17
1N1711-75000	13	13
1N1711-75010	13	14
1N1711-76000	14	1
1N1720-21210	3	16
1N1720-21211	3	16 -1
1N1720-51550	20	21
1N1720-51630	9	24
	20	23
1N1720-74000	12	20
1N1721-13060	2	15
1N1721-51230	20	10
1N1721-51630	20	24
1N1730-51131	9	5
1N1730-71451	10	33
1S0139-42150	4	24
		25
1S6002-61160	4	28
22117-060000	1	19
	4	38
		39
		40
		41
	11	10
22117-080000	4	42
	5	20
22117-140000	11	11
22137-060000	5	21
	10	16
22137-080000	1	43
	8	16
	9	14
	10	17
	11	12
	20	31
22137-100000	5	35

Parts No.	Fig. No.	Ref. No.
22157-060000	4	43
		44
22157-080000	1	20
		21
	3	21
	8	17
	13	5
	19	3
		3 -1
22217-060000	5	22
	11	13
	20	32
22217-080000	1	22
		23
	4	45
	8	18
	9	15
	13	6
	19	4
		4 -1
		11
	20	33
22217-100000	5	23
	8	19
	19	5
22242-000120	3	22
22242-000150	1	24
		25
	3	23
	5	24
22242-000190	3	24
22242-000250	3	25
22252-000350	1	26
		27
22272-000070	4	46
22292-000110	5	39
22351-060025	3	26
22372-040000	5	40
22372-060000	4	49 -1
		63
22372-080000	4	64
22417-200120	1	28
	4	47
		47 -1
		48
		48 -1
		49
		50
		51
	5	25

## Parts No. Index

Parts No.	Fig. No.	Ref. No.
22417-200120	5	25 -1
	11	14
22417-200160	5	26
		36
22417-250160	5	37
22417-320220	11	15
22512-050150	1	29
22512-050300	1	30
	3	27
	8	20
	12	12
	13	7
	14	2
	19	8
		8 -1
23490-240002	12	11 -1
		11 -2
24101-060044	12	18
24101-062024	12	14 -1
24104-060024	3	28
		29
24104-060034	1	31
24104-060044	3	30
		31
24104-062024	3	28 -1
24104-062034	8	21
	10	18
		19
24104-063044	8	22
24107-060044	12	13
		13 -1
24107-062020	1	32
		33
24107-062024	12	14
		14 -2
24421-203508	12	15
24550-012150	4	65
		66
24550-015120	5	45
24550-015150	3	32
		33
25122-003301	2	10
25122-003501	2	11
25123-002901	2	12
25123-003001	2	12 -1
		16
26016-060164	3	34
	4	52
	9	16
	20	34

Parts No.	Fig. No.	Ref. No.
26016-060202	12	16
26016-060204	3	35
		36
26016-080164	1	42
	5	27
	6	12
	9	17
		18
	10	20
	20	35
26016-080204	3	37
	4	53
	8	23
	9	17 -1
	20	36
26016-080302	8	24
26018-060124	1	34
	6	13
	7	2
	10	21
		22
		23
		37
		38
26018-060164	6	14
	10	24
	11	16
	20	37
		38
26018-060204	2	13
	5	38
26018-080164	6	15
		16
26018-080204	2	14
	6	17
		19
26051-060002	3	38
	10	25
		26
	11	17
26051-080002	1	45
	4	54
	6	18
	8	25
		26
	9	19
	10	27
		28
	11	18
	20	39

Parts No.	Fig. No.	Ref. No.
26116-060162	5	28
26116-060202	13	8
	16	2
26116-080162	13	9
26116-080202	1	35
		36
	3	39
		45
	14	3
26116-080252	1	37
		38
	8	27
	13	10
	19	6
		6 -1
26116-100252	5	29
	8	28
26116-100302	5	30
26117-060122	10	29
26117-080252	8	29
26117-080402	9	20
26117-080754	4	55
26347-060002	13	11
	16	3
26347-080002	3	37 -1
	4	56
	6	18 -1
	8	30
26635-060002	11	19
26647-060402	20	40
26657-080002	4	57
26717-060002	3	40
26717-080002	1	39
		40
	3	41
	4	58
		59
		60
		61
		62
	8	31
	9	20 -1
	13	12
	14	4
	19	12
	20	41
26717-100002	5	31
	19	7
28110-100120	15	1
29311-092000	9	21

Parts No.	Fig. No.	Ref. No.
-----------	----------	----------