



PARTS CATALOG

Published

2010/3 (Mar.)

0CNP3-G72200

Directions for the Parts Catalog.

1. The parts stipulated in this Parts Catalog are not necessarily standard equipped parts.
2. Parts may change without prior notice.
3. The following is an example of the Parts Catalog format.

REF.	LEV.	PARTS NO.	DESCRIPTION	Q'TY						I	R
				(A)	(B)	(C)	(D)	(E)	(F)		
1	1	729595-51390	FUEL INJECTION PUMP	1	1	1	1	1			1
1-1	1	729595-51391	FUEL INJECTION PUMP	1	1	1	1	1		N	1
		(A=E00185) (B=E00200)									
3	2	26022-060162	SCREW M 6X 16	9	9	9	9	9			
3-1	2	26022-060162	SCREW M 6X 16	4	4	4	4	4		K	
		(A=E00156) (B=E00156) (C=E00156) (D=E00156) (E=E00156)									
4	2	129470-51040	CAMSHAFT	1	1	1	1	1			
5	2	122710-51050	BEARING, ROLLER	2	2	2	2	2			
6	2	129470-51060	RETAINER	1	1	1	1	1			

Remarks
(1) BOOST COMPEMSATOR TYPE. OPTIONAL PART, TO E00155,(4JH-DT, 4JH-DTZ

① Ref. No.

The Ref. No. listed may not be in accordance with the illustration Ref. No.

(Ex.) Illustration No.

List Ref No.

1

1

(Before change)

1-1

(After change)

For interchangeable symbols N, R and K, illustrations for new parts may be abbreviated.

② Lev. (Level)

Level indication

The numbers below indicate the level of relativity towards the main part.

1 ----- Main parts (Assembly parts)

2 ----- Sub component included in " 1 ".

3 ----- Sub component included in " 2 ".

Note) Parts that are not for sale are partially illustrated but not listed.

③ Interchangeability Mark

When a part change takes place, one of the following interchangeability symbols is indicated beside the part.

Symbol	Interchangeability	Contents note
N	Old $\begin{matrix} \leftarrow \text{Yes} \\ \text{No} \rightarrow \end{matrix}$ New	New Part is interchangeable for Old Part but Old Part is not interchangeable for New Part.
Q	Old $\begin{matrix} \leftarrow \text{No} \\ \text{Yes} \rightarrow \end{matrix}$ New	New Part is not interchangeable for Old Part but Old Part is interchangeable for New Part.
R	Old $\begin{matrix} \leftarrow \text{Yes} \\ \text{Yes} \rightarrow \end{matrix}$ New	New/ Old Parts are both interchangeable.
S	Old $\begin{matrix} \leftarrow \text{No} \\ \text{No} \rightarrow \end{matrix}$ New	New/ Old Parts are both not interchangeable.
W		Part newly added.
Z		Part discontinued.
F		Not interchangeable by a single part but interchangeable together with related parts.
K		Changes only for used parts quantities.

④ Effective Machine No.

When a part changes, the effective Machine No. will be indicated in the (A)-(F) column.

Product Symbol	Product No.	Product Symbol	Product No.
C	Clutch No. Compressor No.	F	Machine No. (Agricultural Equip.)
D	Drive No.	M	Machine No.
E	Engine No.	Note 1)	Date

Note 1) A date may follow the symbol. (Ex.) 1996.01

Note 2) " XXX " are for parts that could not be predicted or for engine models that could not be identified.

Note 3) (A=E00185) is the E (Engine Serial Number) for the column (A) model (in this case 4JH-DT) after the parts design change.

⑤ Remarks Mark

Figures or alphabets (symbols) are entered in the remarks column.

The comments (remarks) on parts that are indicated at the bottom of the illustration are the same symbols as those stated above.

CONTENTS

MODEL : YSR7W(GA180E-S(E)J
PC NO : 0CNP3-G72200

Fig.No.	GROUP NAME
	ENGINE SECTION(GA180E-S(E)J
1.	CYLINDER BLOCK
2.	CYLINDER HEAD & BONNET
3.	AIR CLEANER & MUFFLER
4.	CRANKSHAFT,PISTON & CAMSHAFT
5.	FUEL TANK & FUEL LINE
6.	CARBURATOR
7.	GOVERNOR & CONTROL DEVICE
8.	FLYWHEEL MAGNET & STARTING DEVICE
9.	STARTING MOTOR
10.	TOOLS & LABELS
	ENGINE SECTION(GA240E-S(E)J
11.	CYLINDER BLOCK
12.	CYLINDER HEAD & BONNET
13.	AIR CLEANER & MUFFLER
14.	CRANKSHAFT,PISTON & CAMSHAFT
15.	FUEL TANK & FUEL LINE
16.	CARBURATOR
17.	GOVERNOR & CONTROL DEVICE
18.	FLYWHEEL MAGNET & STARTING DEVICE
19.	STARTING MOTOR
20.	TOOLS & LABELS
	ENGINE RELATED SECTION
21.	ENGINE RELATED
22.	ENGINE RELATED
	DRIVE TRAVEL SECTION
23.	TENSION CLUTCH

Fig.No.	GROUP NAME
24.	ENGINE PULLEY & BELT
25.	TRAVEL DRIVE
26.	BRAKE
27.	REDUCTION GEAR & AXLE

CONTROL SECTION

28.	HANDLE
29.	CONTROL PANEL
30.	DEAD MAN LEVER
31.	TRAVEL CLUTCH
32.	CHANGE LEVER
33.	CHANGE ROD
34.	SAFETY DEVICE
35.	CHUTE LEVER
36.	CHUTE LEVER
37.	CHUTE HANDLE

CHASSIS,COVER & TIRE SECTION

38.	CHASSIS FRAME
39.	BELT & GEAR COVER
40.	TIRE

ELECTRICAL PARTS SECTION

41.	BATTERY
42.	HARNESS & SWITCH
43.	LAMP

SNOW REMOVING SECTION

44.	SNOW REMOVING FRAME
45.	SNOW REMOVING FRAME

CONTENTS

MODEL : YSR7W(GA180E-S(E)J

PC NO : 0CNP3-G72200

Fig.No. GROUP NAME

46. AUGER COVER

47. AUGER COVER

48. CHUTE

49. GEAR CASE

50. AUGER & BLOWER

Fig.No. GROUP NAME

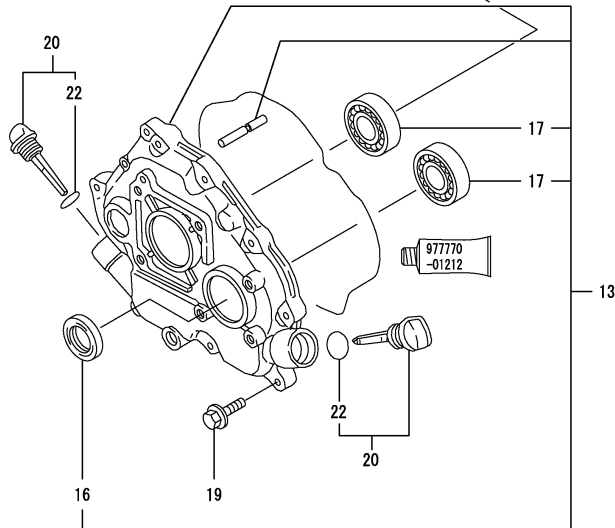
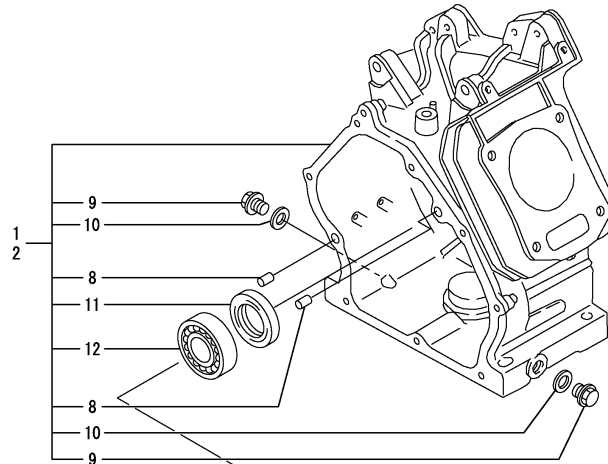
LABELS & ACCESSORIES SECTION

51. LABELS

52. LABELS(SAFETY)

53. TOOLS & ACCESSORIES

Fig.1. CYLINDER BLOCK



Remarks
 (1) REF.NO.1-2,2-2, FIG2 REF.NO.3-1 &
 FIG4 REF.NO.21-1 INTERCHANGEABLE
 BY SET.
 (REMARKS)"EFFECTIVE MACHINE NO." OF
 ENGINE IS INDICATED ON THE
 ENGINE LABEL WHICH IS SHOWN
 IN FIG.8.

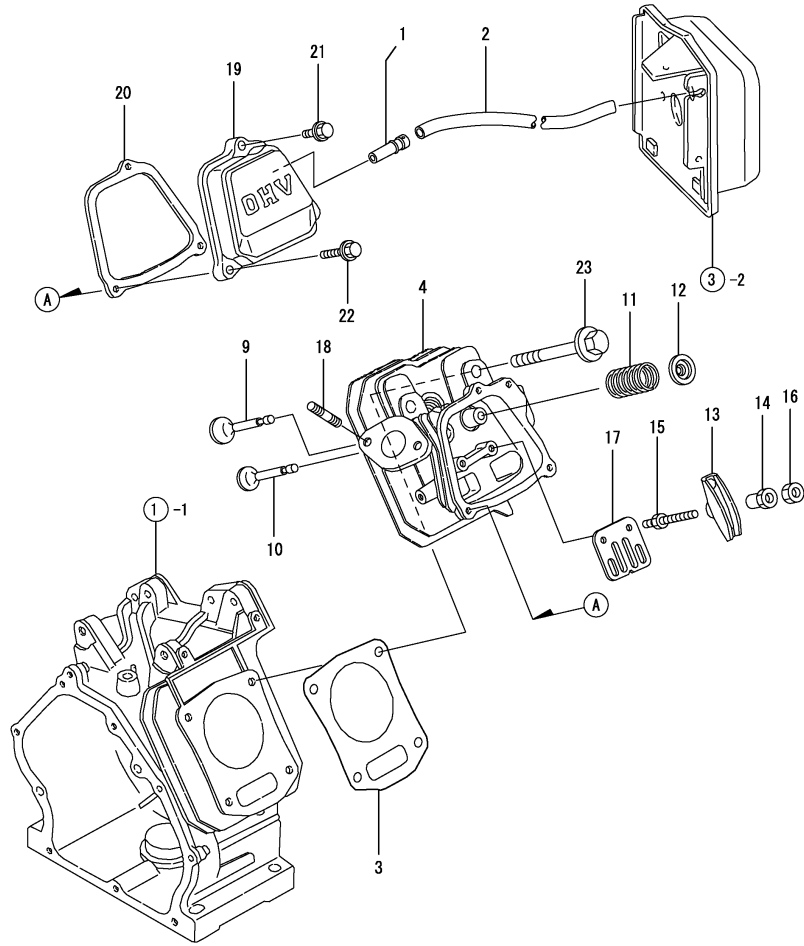
0CNP3-G72200 1. CYLINDER BLOCK

(A)=GA180E-SJ1
 (B)=GA180E-SEJ1
 (C)=

(D)=
 (E)=
 (F)=

REF.	LEV.	PARTS NO.	DESCRIPTION	Q'TY						I	R	
				(A)	(B)	(C)	(D)	(E)	(F)			
1	1	783732-01562	BLOCK ASSY, CYLINDER		1							
1-1	1	783732-01563 (B=E73267)	BLOCK ASSY, CYLINDER		1							R
1-2	1	783732-01564 (B=EA6701)	BLOCK ASSY, CYLINDER		1							S 1
2	1	760698-01561	BLOCK ASSY, CYLINDER		1							
2-1	1	760698-01562 (A=E72841)	BLOCK ASSY, CYLINDER		1							R
2-2	1	760698-01563 (A=EA7082)	BLOCK ASSY, CYLINDER		1							S 1
8	2	114270-01600	PARALLEL PIN 8X12	2	2							
9	2	160610-01690	PLUG, DRAIN	2	2							
10	2	104200-59170	GASKET 12	2	2							
11	2	160690-02220	OIL SEAL TC25416	1	1							
12	2	24101-062050	BALL BEARING	1	1							
13	1	760690-01510	COVER ASSY, SIDE	1	1							
13-1	1	760690-01511 (A=E94878) (B=E94838)	COVER ASSY, SIDE	1	1							R
16	2	160690-02220	OIL SEAL TC25416	1	1							
17	2	24101-062050	BALL BEARING	2	2							
19	1	26476-060252	BOLT M 6X 25,TAPPING	8	8							
20	1	114299-01760	CAP, W/LUB.OIL GAUGE	2	2							
22	2	114299-01950	O-RING	2	2							

Fig.2. CYLINDER HEAD & BONNET



0CNP3-G72200 2. CYLINDER HEAD & BONNET

(A)=GA180E-SJ1
(B)=GA180E-SEJ1
(C)=

(D)=
(E)=
(F)=

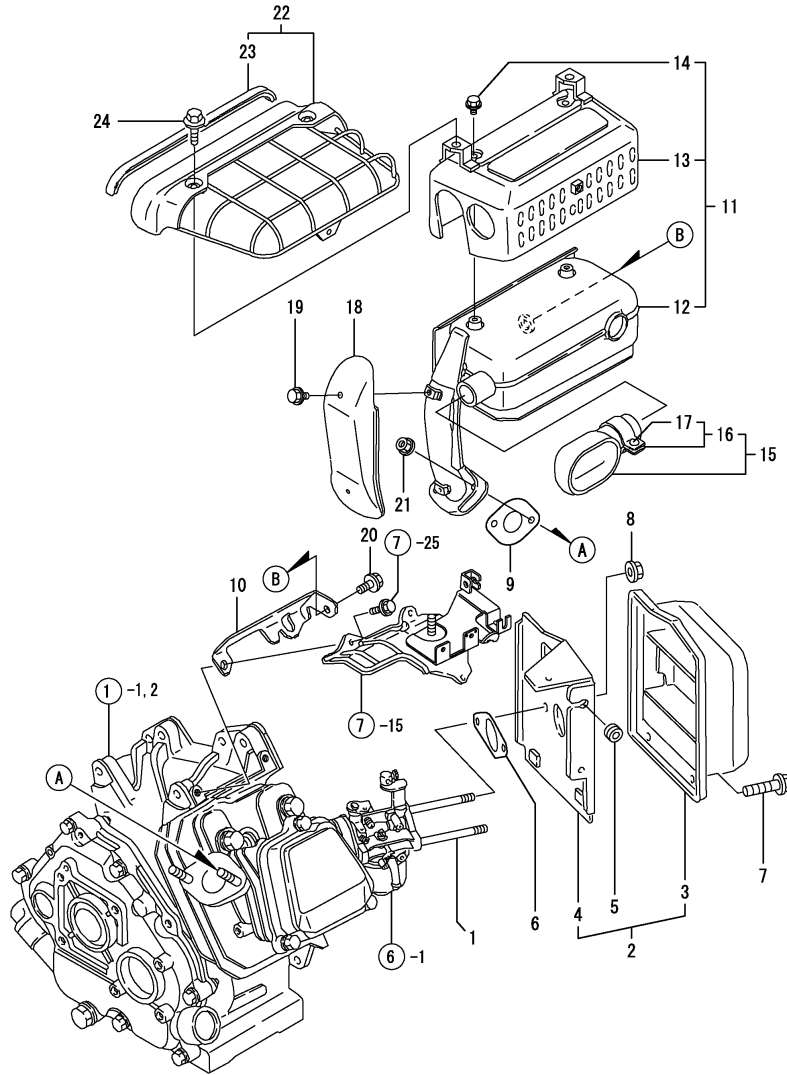
REF.	LEV.	PARTS NO.	DESCRIPTION	QTY						I	R
				(A)	(B)	(C)	(D)	(E)	(F)		
1	1	160690-03050	BREATHER	1	1						
2	1	160810-03200	PIPE, BREATHER	1	1						
2-1	1	160991-03180	PIPE, BREATHER	1	1						N
		(A=EXXX) (B=EXXX)									
3	1	160698-01330	GASKET, CYL. HEAD	1	1						
3-1	1	160699-01331	GASKET, CYL. HEAD	1	1						S 1
		(A=EA7082) (B=EA6701)									
4	1	160690-11010	HEAD ASSY, CYLINDER	1	1						
9	1	160690-11100	VALVE, INTAKE	1	1						
10	1	160690-11110	VALVE, EXHAUST	1	1						
11	1	160690-11120	SPRING, VALVE	2	2						
12	1	160690-11180	RETAINER, SPRING	2	2						
13	1	160690-11200	ARM, ROCKER	2	2						
14	1	160690-11221	PIVOT,ROCKER ARM	2	2						
15	1	160690-11271	BOLT	2	2						
16	1	160690-11280	NUT M6X 0.5	2	2						
17	1	160690-11290	PLATE, GUIDE	1	1						
18	1	26216-080182	STUD M 8X 18 PLATED	2	2						
19	1	160690-11300	BONNET	1	1						
20	1	160690-11310	GASKET, BONNET	1	1						
20-1	1	160690-11311	GASKET, BONNET	1	1						R
		(A=EA1039) (B=EA1384)									
21	1	26106-060202	BOLT M 6X 20 PLATED	1	1						
22	1	26106-060352	BOLT M 6X 35 PLATED	2	2						
23	1	160610-04201	BOLT M 8X 53	4	4						

Remarks
(1) REF.NO.3-1 FIG1 REF.NO.1-2,2-2 & FIG4 REF.NO.21-1 INTERCHANGEABLE BY SET.
(REMARKS)"EFFECTIVE MACHINE NO." OF ENGINE IS INDICATED ON THE ENGINE LABEL WHICH IS SHOWN IN FIG.8.

Fig.3. AIR CLEANER & MUFFLER

(A)=GA180E-SJ1
(B)=GA180E-SEJ1
(C)=

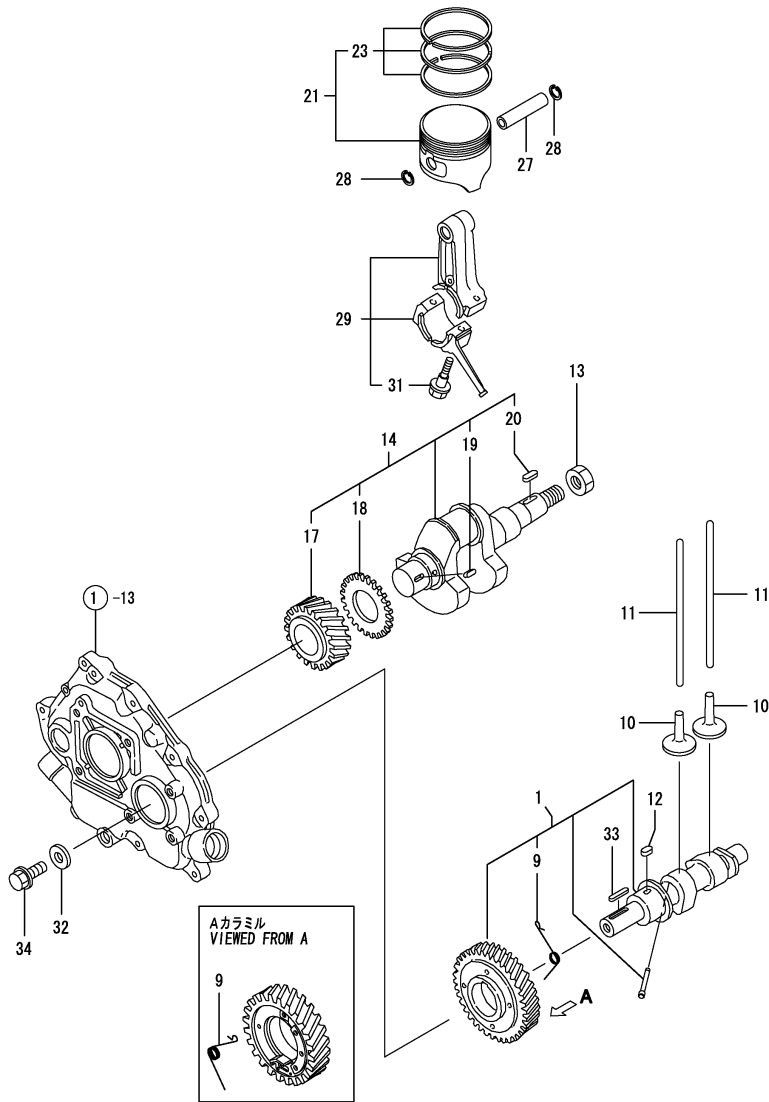
(D)=
(E)=
(F)=



REF.	LEV.	PARTS NO.	DESCRIPTION	QTY						I	R
				(A)	(B)	(C)	(D)	(E)	(F)		
1	1	160610-04570	BOLT M 6X 70	2	2						
2	1	160698-12510	CLEANER ASSY, AIR	1	1						
3	2	160891-12530	AIR CLEANER COVER	1	1						
4	2	160698-12540	BODY, AIR CLEANER	1	1						
5	1	160763-12600	GROMMET, AIR CLEANER	1	1						
6	1	160610-56151	PACKING,CARBURETOR	1	1						
7	1	26106-060082	BOLT M 6X 8 PLATED	3	3						
8	1	26366-060002	NUT M 6	2	2						
9	1	160690-13200	GASKET, MUFFLER	1	1						
10	1	160690-13550	BRACKET, MUFFLER	1	1						
11	1	160698-13620	MUFFLER ASSY	1	1						
12	2	160690-13500	MUFFLER	1	1						
13	2	160698-13560	COVER,MUFFLER	1	1						
14	2	26106-060082	BOLT M 6X 8 PLATED	3	3						
15	1	114252-13800	PIPE ASSY, EXTERNAL	1	1						
16	2	114252-13910	CLAMP	1	1						
17	3	114252-13960	SCREW 6X 25	1	1						
18	1	160690-13900	COVER, ELBOW	1	1						
19	1	114252-13950	BOLT M 6X 8 PLATED	2	2						
20	1	26106-080142	BOLT 8X 14 PLATED	1	1						
21	1	26366-080002	NUT M 8	2	2						
22	1	160690-13700	COVER,MUFFLER	1	1						
23	2	160690-13911	RUBBER, SEAL	1	1						
24	1	26106-060082	BOLT M 6X 8 PLATED	3	3						

Remarks
(REMARKS)"EFFECTIVE MACHINE NO." OF
ENGINE IS INDICATED ON THE
ENGINE LABEL WHICH IS SHOWN
IN FIG.8.

Fig.4. CRANKSHAFT,PISTON & CAMSHAFT



0CNP3-G72200 4. CRANKSHAFT,PISTON & CAMSHAFT

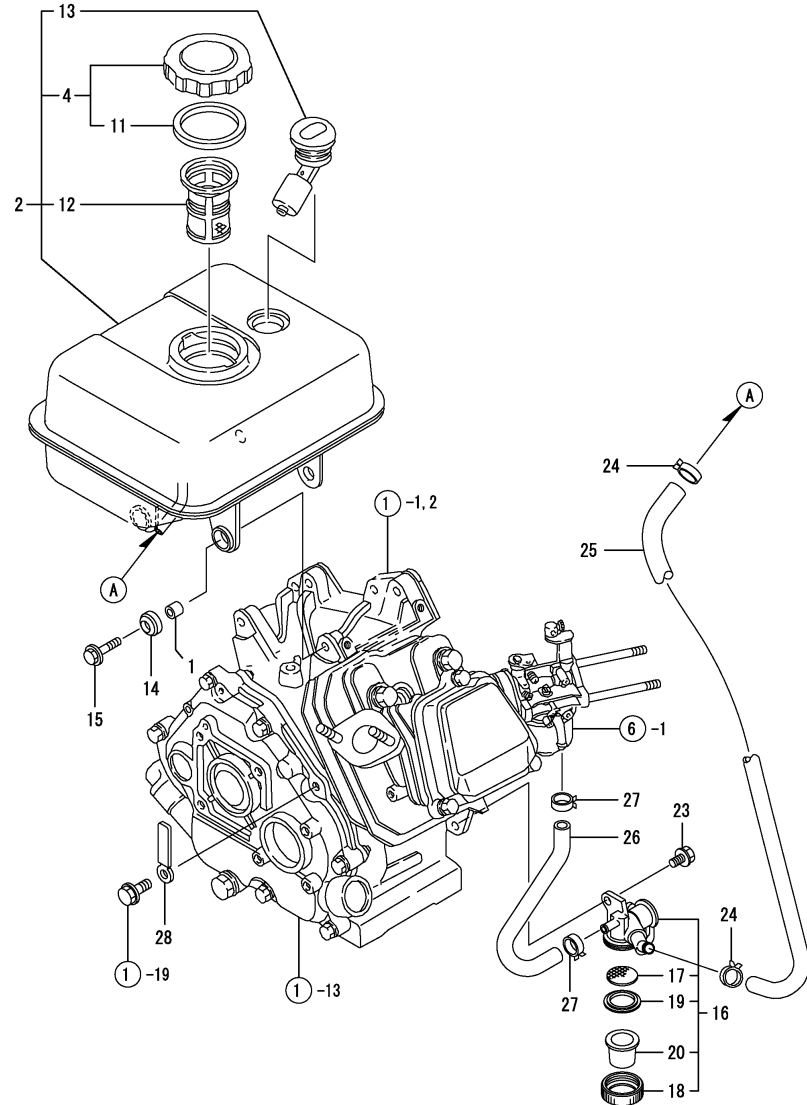
(A)=GA180E-SJ1
(B)=GA180E-SEJ1
(C)=

(D)=
(E)=
(F)=

REF.	LEV.	PARTS NO.	DESCRIPTION	Q'TY						I	R
				(A)	(B)	(C)	(D)	(E)	(F)		
1	1	160690-14051	CAMSHAFT ASSY	1	1						
9	2	160690-14571	SPRING, DECOMP.	1	1						
10	1	160490-14200	TAPPET	2	2						
11	1	114250-14400	ROD, PUSH	2	2						
12	1	22512-040120	KEY 4X 12	1	1						
13	1	160610-04910	NUT M14	1	1						
14	1	760690-21702	CRANKSHAFT COMP	1	1						
17	2	160690-21201	GEAR, CRANKSHAFT	1	1						
18	2	160590-21210	GEAR, IDLE	1	1						
19	2	22512-040120	KEY 4X 12	1	1						
20	2	22512-040160	KEY 4X 16	1	1						
21	1	160698-22010	PISTON W/RINGS	1	1						
21-1	1	160698-22020	PISTON W/RINGS	1	1					S	1
		(A=EA7082) (B=EA6701)									
23	2	760698-22501	RING SET	1	1						
27	1	160690-22300	PIN, PISTON	1	1						
28	1	22252-000160	CIRCLIP 16	2	2						
29	1	760690-23700	ROD ASSY, CONNECTING	1	1						
31	2	26106-060302	BOLT M 6X 30 PLATED	2	2						
32	1	160310-14550	WASHER	1	1						
33	1	22512-050300	KEY 5X 30	1	1						
34	1	26106-080202	BOLT M 8X 20 PLATED	1	1						

Remarks
(1) REF.NO.21-1 FIG1 REF.NO.1-2,2-2 &
FIG2 REF.NO.3-1 INTERCHANGEABLE
BY SET.
(REMARKS)"EFFECTIVE MACHINE NO." OF
ENGINE IS INDICATED ON THE
ENGINE LABEL WHICH IS SHOWN
IN FIG.8.

Fig.5. FUEL TANK & FUEL LINE



0CNP3-G72200 5. FUEL TANK & FUEL LINE

(A)=GA180E-SJ1
(B)=GA180E-SEJ1
(C)=

(D)=
(E)=
(F)=

REF.	LEV.	PARTS NO.	DESCRIPTION	QTY						I	R
				(A)	(B)	(C)	(D)	(E)	(F)		
1	1	114250-45310	COLLAR	4	4						
2	1	760690-55702	TANK, FUEL (RED)(10)	1	1						
4	2	160710-55061	CAP ASSY, FUEL TANK	1	1						
11	3	160393-55050	GASKET, TANK CAP	1	1						
12	2	160610-55100	STRAINER	1	1						
13	2	160762-55150	GAUGE, FUEL	1	1						
14	1	160690-55461	DAMPER, FUEL TANK	4	4						
15	1	160690-55140	BOLT, FAN CASE	4	4						
16	1	160991-55300	COCK ASSY, FUEL	1	1						
I	17	2	160710-55382	FILTER	1	1					
I	18	2	160710-55360	RING	1	1					
I	19	2	160710-55370	GASKET	1	1					
20	2	160903-55390	CUP	1	1						
23	1	26106-060082	BOLT M 6X 8 PLATED	1	1						
24	1	106990-44660	CLIP,HOSE	2	2						
25	1	160802-59370	PIPE, FUEL	1	1						
25-1	1	160802-59371	HOSE,FUEL	1	1						N
		(A=E90884) (B=E91162)									
26	1	160820-59390	PIPE, FUEL	1	1						
26-1	1	160820-59391	HOSE,FUEL	1	1						N
		(A=E90884) (B=E91162)									
26-2	1	160792-59361	HOSE, FUEL OIL	1	1						N
27	1	124060-77680	CLAMP 10	2	2						
27-1	1	119520-03990	HOSE CLAMP	2	2						R
		(A=EA1817) (B=EA2237)									
28	1	160710-78710	CLAMP, CORD	1	1						

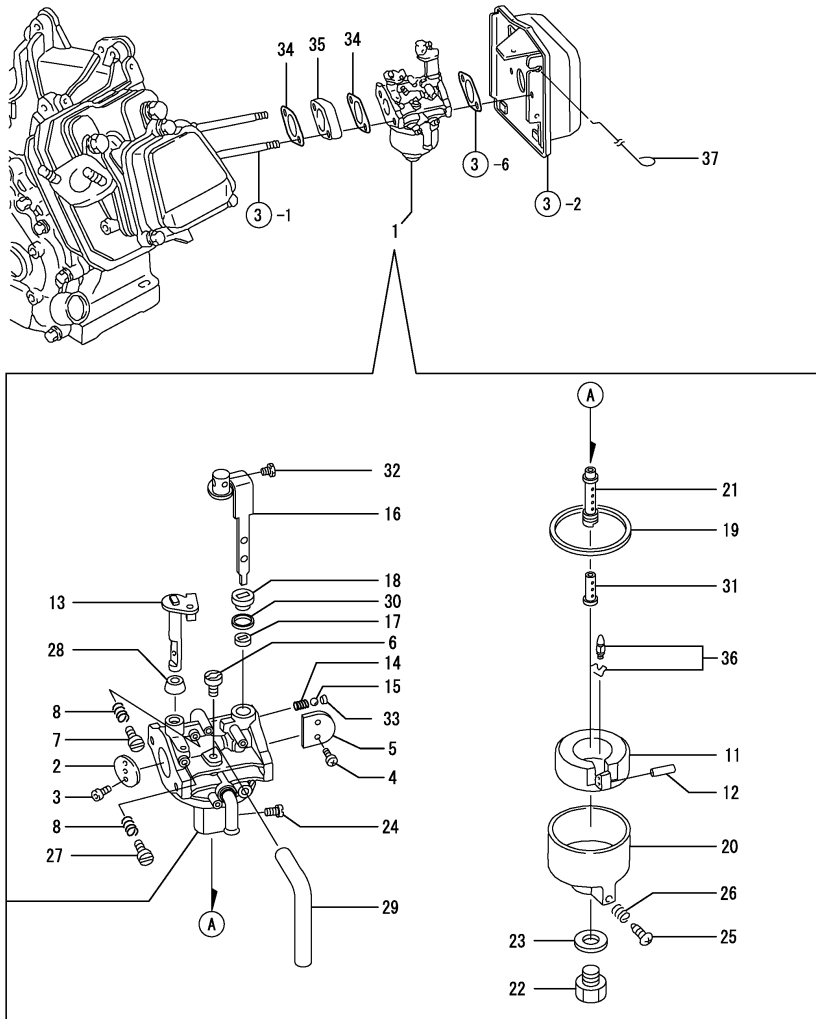
Remarks
(REMARKS)"EFFECTIVE MACHINE NO." OF
ENGINE IS INDICATED ON THE
ENGINE LABEL WHICH IS SHOWN
IN FIG.8.

Fig.6. CARBURATOR

OCNP3-G72200 6. CARBURATOR

(A)=GA180E-SJ1
(B)=GA180E-SEJ1
(C)=

(D)=
(E)=
(F)=



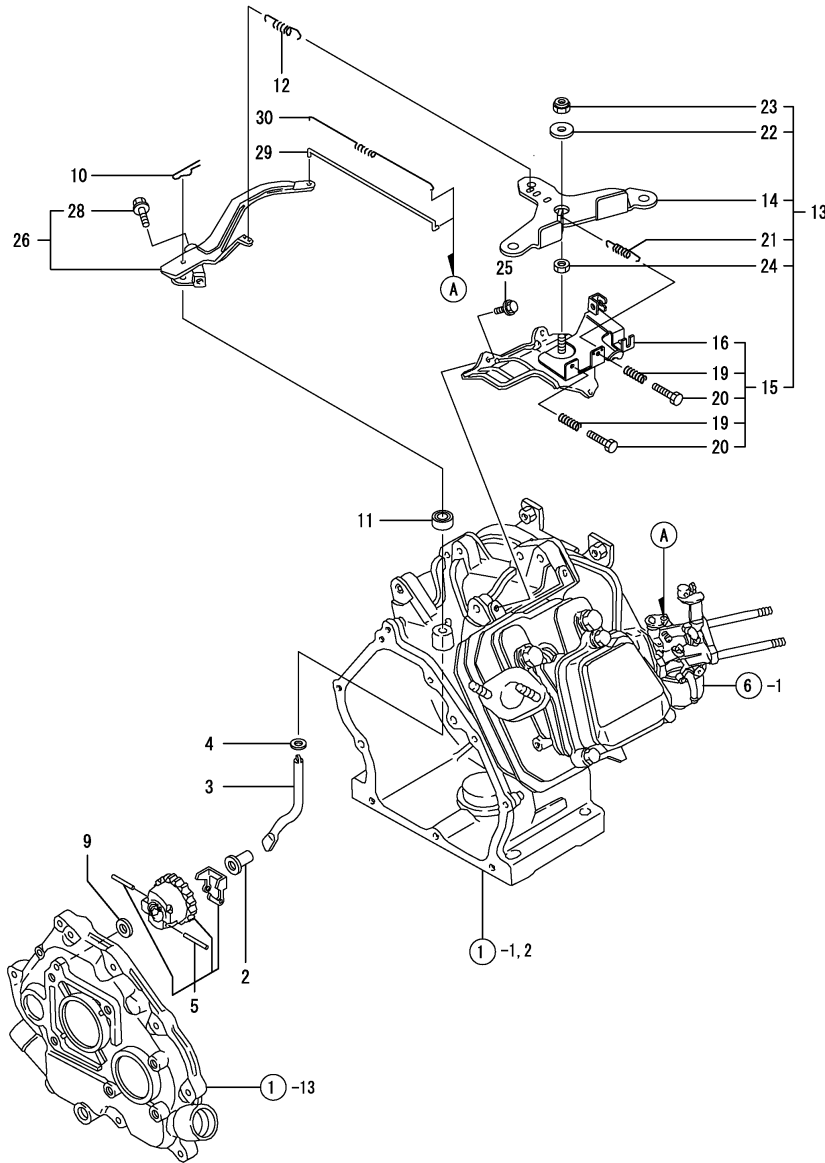
REF.	LEV.	PARTS NO.	DESCRIPTION	QTY						I	R
				(A)	(B)	(C)	(D)	(E)	(F)		
1	1	160698-56100	CARBURETOR ASSY	1	1						
2	2	160698-56600	VALVE, THROTTLE	1	1						
3	2	160810-56670	SCREW	2	2						
4	2	160903-56670	SCREW	2	2						
5	2	160698-56530	VALVE, CHOKE	1	1						
6	2	160590-56740	JET, PILOT	1	1						
7	2	160692-56710	SCREW	1	1						
8	2	181230-56380	SPRING	2	2						
11	2	160769-56620	FLOAT ASSY	1	1						
12	2	160610-56630	PIN, FLOAT	1	1						
13	2	160698-56550	SHAFT, THROTTLE	1	1						
14	2	160310-56980	SPRING, CHOKE	1	1						
15	2	160310-56990	BALL, STEEL	1	1						
16	2	160698-56650	LEVER, CHOKE	1	1						
17	2	160810-56580	RING, CHOKE SHAFT	1	1						
18	2	160810-56590	RING, CHOKE LEVER	1	1						
19	2	160610-56610	GASKET	1	1						
20	2	160769-56640	BODY, FLOAT CHAMBER	1	1						
21	2	160590-56670	NOZZLE, MAIN	1	1						
22	2	160769-56660	BOLT	1	1						
23	2	160610-56611	GASKET	1	1						
24	2	160698-56800	JET, MAIN	1	1						
25	2	160610-56900	SCREW	1	1						
26	2	181230-56380	SPRING	1	1						
27	2	160667-56750	SCREW, ADJUSTING	1	1						
28	2	160702-56720	RING	1	1						
29	2	160692-56770	HOSE	1	1						
30	2	160692-56800	SEAL, RUBBER	1	1						
31	2	160698-56590	NOZZLE	1	1						
32	2	26117-040088	BOLT M 4 X 8 PLATED	1	1						
33	2	160692-56700	SEAL, RUBBER	1	1						
34	1	160610-56151	PACKING, CARBURATOR	2	2						
35	1	160690-56160	SPACER	1	1						
36	1	160692-56560	VALVE, NEEDLE(RUBBER	1	1						1
37	1	160891-56900	ROD, CHOKE	1	1						

Remarks
(1) REPAIR PART.
(REMARKS)"EFFECTIVE MACHINE NO." OF
ENGINE IS INDICATED ON THE
ENGINE LABEL WHICH IS SHOWN
IN FIG.8.

Fig.7. GOVERNOR & CONTROL DEVICE

(A)=GA180E-SJ1
(B)=GA180E-SEJ1
(C)=

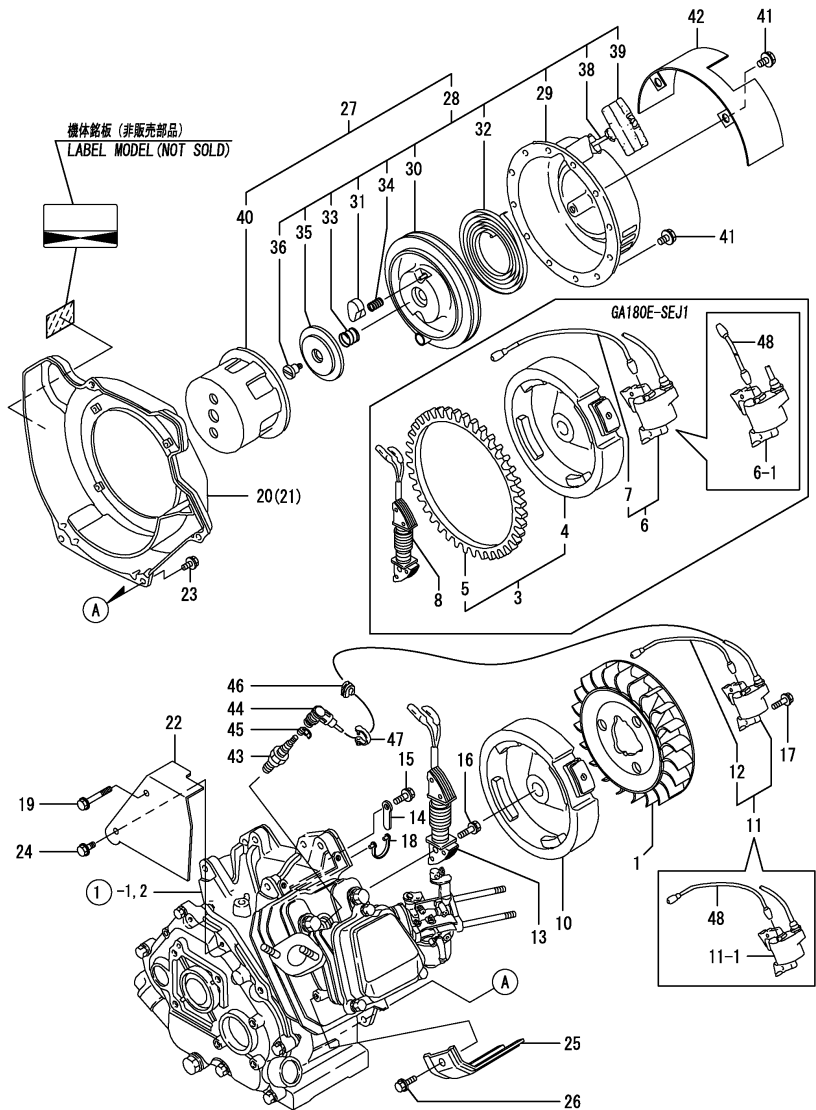
(D)=
(E)=
(F)=



REF.	LEV.	PARTS NO.	DESCRIPTION	QTY						I	R
				(A)	(B)	(C)	(D)	(E)	(F)		
2	1	160690-61301	SPINDLE, GOVERNOR	1	1						
3	1	160690-61311	SHAFT, GOV. LEVER	1	1						
4	1	160690-61450	WASHER	1	1						
5	1	160690-61600	GEAR ASSY, GOV.	1	1						
9	1	160120-76940	WASHER	1	1						
10	1	22372-080000	SNAP PIN (JASO 8)	1	1						
11	1	114770-61600	SEAL, OIL	1	1						
12	1	160690-66011	SPRING, GOVERNOR	1	1						
13	1	160698-66100	CONTROL ASSY	1	1						
14	2	160692-66063	CONTROL LEVER	1	1						
15	2	160698-66110	BASE ASSY, CONTROL	1	1						
16	3	160698-66140	BASE ASSY, CONTROL	1	1						
19	3	160520-66291	SPRING	2	2						
20	3	26117-040257	BOLT M 4X 25	2	2						
21	2	160664-66220	SPRING, RETURN	1	1						
22	2	160670-66350	COLLAR	1	1						
23	2	26347-060002	U-NUT M 6	1	1						
24	2	26757-060002	NUT M 6	1	1						
25	1	26476-060142	BOLT M 6X 14,TAPPING	3	3						
26	1	160690-66180	LEVER ASSY, GOVERNOR	1	1						
28	2	26366-060002	NUT M 6	1	1						
29	1	160690-66200	LINK, THROTTLE	1	1						
30	1	160690-66210	SPRING, TENSION	1	1						

Remarks
(REMARKS)"EFFECTIVE MACHINE NO." OF
ENGINE IS INDICATED ON THE
ENGINE LABEL WHICH IS SHOWN
IN FIG.8.

Fig.8. FLYWHEEL MAGNET & STARTING DEVICE



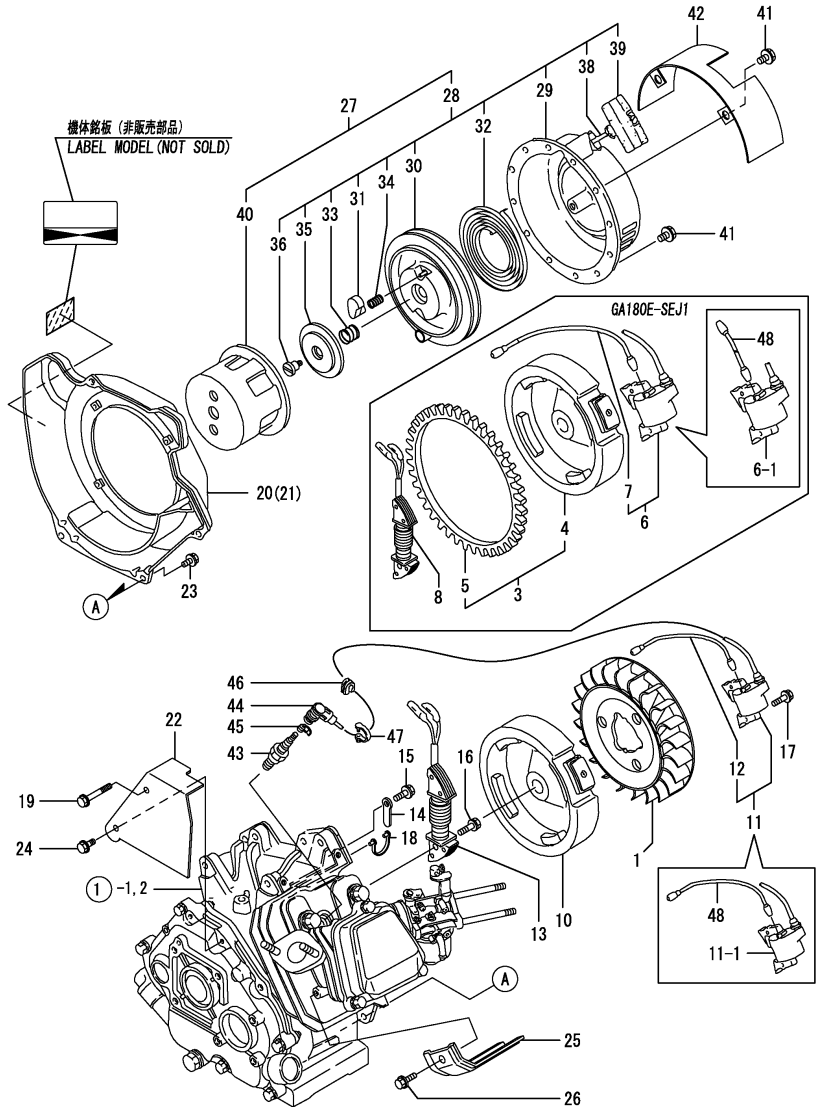
(A)=GA180E-SJ1
(B)=GA180E-SEJ1
(C)=

(D)=
(E)=
(F)=

REF.	LEV.	PARTS NO.	DESCRIPTION	Q'TY						I	R
				(A)	(B)	(C)	(D)	(E)	(F)		
1	1	160699-45010	FAN, COOLING	1	1						
3	1	160698-78512	ROTOR ASSY		1						
4	2	160698-78503	ROTOR		1						
5	2	160691-78170	GEAR, RING		1						
5-1	2	160691-78171 (B=E94838)	GEAR, RING		1						R
6	1	160690-78532	IGNITER		1						
6-1	1	160690-78533 (B=EA1384)	IGNITER		1						Q
7	2	160690-78230 (B=EA1384)	CORD, STOP		1						Z
8	1	160793-78630	COIL, CHARGE		1						
10	1	160693-78511	ROTOR	1							
11	1	160690-78532	IGNITER	1							
11-1	1	160690-78533	IGNITER	1							Q
12	2	160690-78230 (A=EA1316) (A=EA1316)	CORD, STOP	1							Z
13	1	160798-78620	COIL, LAMP	1							
14	1	160710-78710	CLAMP, CORD		1						
15	1	26476-060142	BOLT M 6X 14,TAPPING		1						
16	1	26476-060252	BOLT M 6X 25,TAPPING	2	2						
17	1	26476-060302	BOLT M 6X 30,TAPPING	2	2						
18	1	29610-000650	CLAMP, SPEED 065	1	1						
19	1	160611-04350	BOLT 6X70,TAPPING	1	1						
20	1	160698-45110	CASE,FAN (WHITE)(14)	1							
21	1	160698-45120	CASE,FAN (WHITE)(14)		1						
22	1	160698-45210	COVER, CYLINDER	1	1						
23	1	26476-060142	BOLT M 6X 14,TAPPING	4	4						
24	1	26476-060142	BOLT M 6X 14,TAPPING	1	1						
25	1	160699-45200	COVER,CYLINDER	1	1						
26	1	26476-060142	BOLT M 6X 14,TAPPING	1	1						
27	1	160698-76060	STARTER ASSY, RECOIL	1	1						
28	2	160698-76260	RE-COIL ASSY	1	1						
29	3	160698-76510	CASE COMP.,STARTER	1	1						
30	3	160698-76520	REEL	1	1						
31	3	160698-76530	RATCHET	2	2						
32	3	160698-76540	SPRING, SPIRAL	1	1						
33	3	160698-76550	SPRING, FRICTION	1	1						1
33-1	3	160690-76561	SPRING, FRICTION	1	1						
34	3	160698-76560	SPRING, RETURN	2	2						
35	3	160698-76570	GUIDE,RATCHET	1	1						
36	3	160698-76580	SETScrew	1	1						
38	3	160698-76660	ROPE,STARTER	1	1						
39	3	160698-76670	Knob,STARTER	1	1						
40	2	160690-76591	PULLEY, STARTER	1	1						
41	1	26106-060082	BOLT M 6X 8 PLATED	4	4						
42	1	160708-76900	COVER, RECOIL	1	1						
43	1	160793-78010	PLUG, SPARK	1	1						
44	1	160700-78040	CAP, PLUG	1	1						
45	1	160700-78050	TERMINAL, PLUG	1	1						

Remarks
(REMARKS)"EFFECTIVE MACHINE NO." OF
ENGINE IS INDICATED ON THE
ENGINE LABEL WHICH IS SHOWN
IN FIG.8.
(1) MISPRINT.

Fig.8. FLYWHEEL MAGNET & STARTING DEVICE



0CNP3-G72200 8. FLYWHEEL MAGNET & STARTING DEVICE

(A)=GA180E-SJ1
(B)=GA180E-SEJ1
(C)=

(D)=
(E)=
(F)=

REF.	LEV.	PARTS NO.	DESCRIPTION	QTY						I	R
				(A)	(B)	(C)	(D)	(E)	(F)		
46	1	160700-78720	GROMMET	1	1						
47	1	29610-000950	CLAMP, SPEED 095	1	1						Z
		(A=EXXX) (B=EXXX)									
48	1	160690-78230	CORD, STOP	1	1						W
		(A=EA1316) (B=EA1384)									

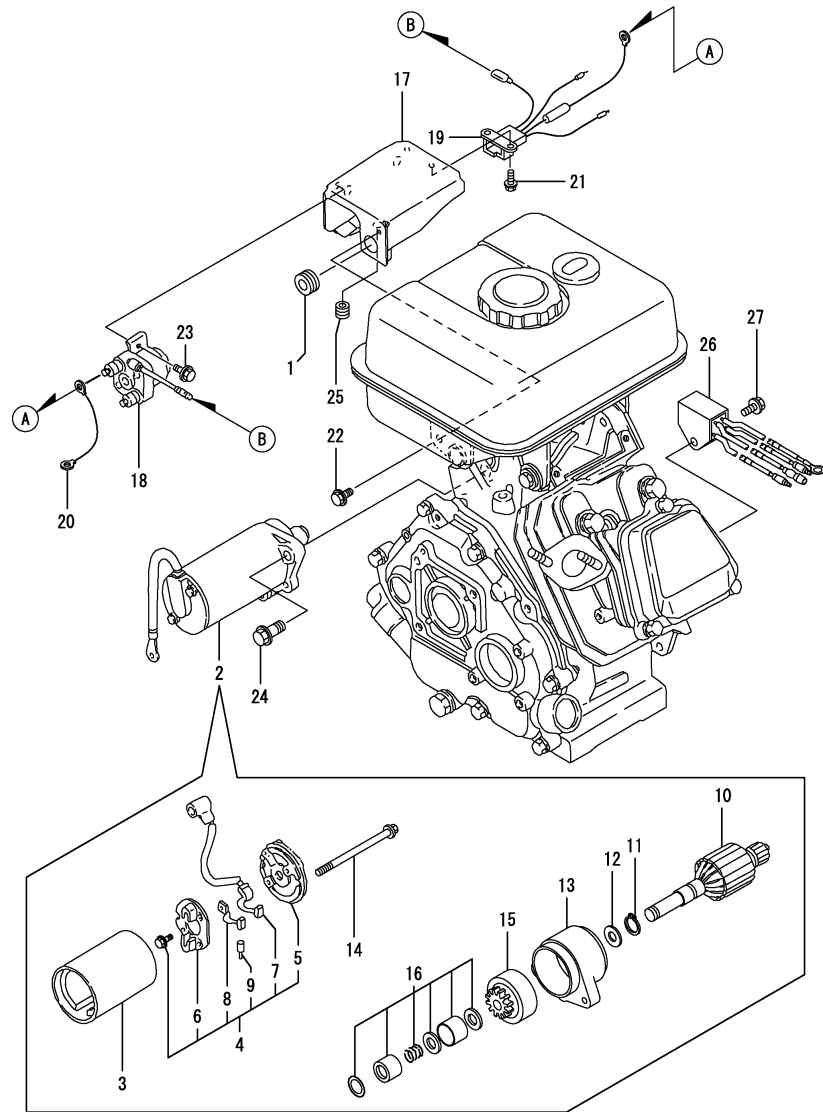
Remarks
(REMARKS)"EFFECTIVE MACHINE NO." OF
ENGINE IS INDICATED ON THE
ENGINE LABEL WHICH IS SHOWN
IN FIG.8.

(1) MISPRINT.

Fig.9. STARTING MOTOR

(A)=GA180E-SJ1
(B)=GA180E-SEJ1
(C)=

(D)=
(E)=
(F)=



REF.	LEV.	PARTS NO.	DESCRIPTION	QTY						I	R
				(A)	(B)	(C)	(D)	(E)	(F)		
1	1	160341-01950	PIPE		1						
2	1	160691-77020	STARTING MOTOR		1						
3	2	X131009601X	YORK ASSY		1						
4	2	X133004703X	BRACKET ASSY, REAR		1						
5	3	X224023400X	BRACKET, REAR		1						
6	3	X133104900X	HOLDER ASSY, BLUSH		1						
7	3	X266008503X	BLUSH ASSY(+)		1						
8	3	X266008300X	BLUH ASSY(-)		1						
9	3	X520003100X	COIL, SPRING		2						
10	2	X132009202X	ARMATURE ASSY		1						
11	2	X8580151002	RING, RETAINING		1						
12	2	X503106201X	SHIM WASHER		1						
13	2	X224211001X	BRACKET, FRONT		1						
14	2	X8167050951	BOLT		1						
15	2	X136105701X	CLUTCH ASSY, PINION		1						
16	2	X366102100X	STOPPER, PINION		1						
17	1	160691-77300	BRACKET		1						
18	1	160725-77380	SWITCH, SOLENOID		1						
19	1	160691-77490	HARNES, WIRE		1						
20	1	160891-78200	LEAD WIRE		1						
21	1	26023-040102	SCREW M 4X 10		2						
22	1	26106-060102	BOLT 6X 10 PLATED		2						
23	1	26106-060102	BOLT 6X 10 PLATED		1						
24	1	26106-080252	BOLT M 8X 25 PLATED		2						
25	1	29311-122000	GROMMET 12.0X2.0		1						
26	1	160708-77350	RECTIFIER		1						
27	1	26106-060122	BOLT M 6X 12 PLATED		1						

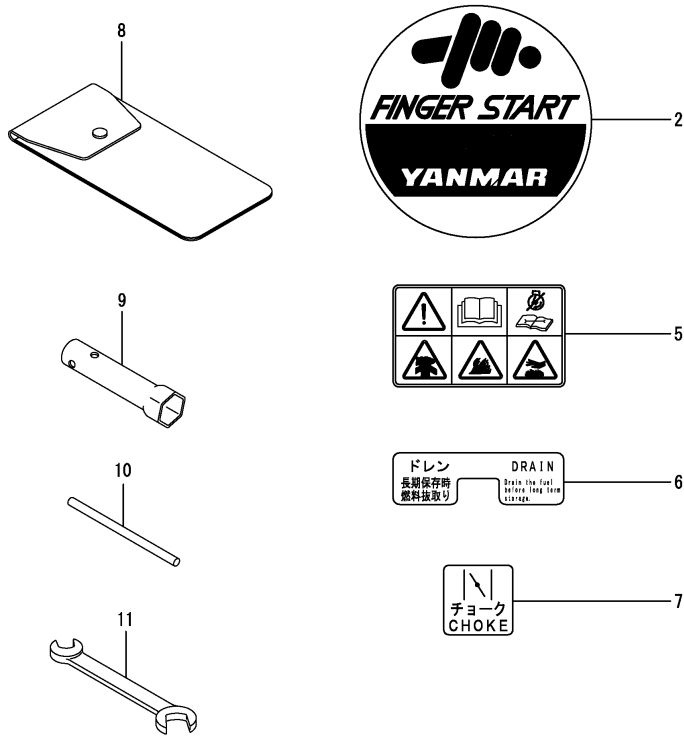
Remarks
(REMARKS)"EFFECTIVE MACHINE NO." OF
ENGINE IS INDICATED ON THE
ENGINE LABEL WHICH IS SHOWN
IN FIG.8.

Fig.10. TOOLS & LABELS

(A)=GA180E-SJ1
(B)=GA180E-SEJ1
(C)=

(D)=
(E)=
(F)=

REF.	LEV.	PARTS NO.	DESCRIPTION	QTY						I	R
				(A)	(B)	(C)	(D)	(E)	(F)		
2	1	160798-07100	LABEL, FINGER START	1	1						
5	1	160991-07260	LABEL	1	1						
6	1	160690-07260	LABEL, DRAIN	1	1						
7	1	160690-07400	LABEL	1	1						
8	1	160708-92610	BAG, TOOL	1	1						
9	1	160120-92700	SPANNER, BOX	1	1						
10	1	160110-92710	BAR	1	1						
11	1	28110-100120	WRENCH 10X12	1	1						

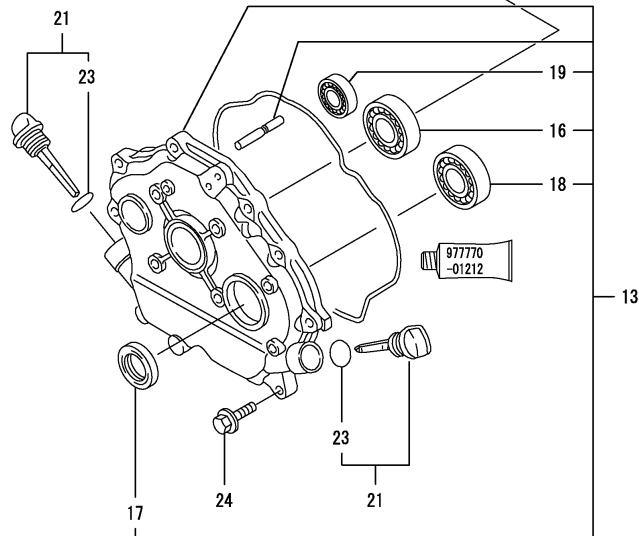
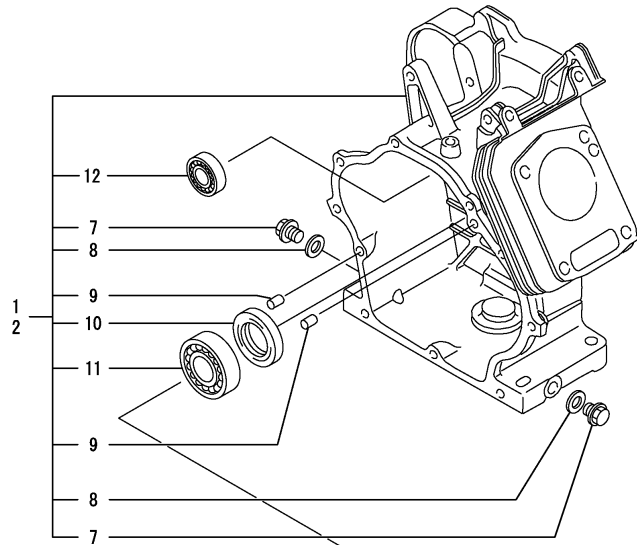


Remarks
(REMARKS)"EFFECTIVE MACHINE NO." OF
ENGINE IS INDICATED ON THE
ENGINE LABEL WHICH IS SHOWN
IN FIG.8.

Fig.11. CYLINDER BLOCK

(A)=GA240E-SJ
(B)=GA240E-SEJ
(C)=

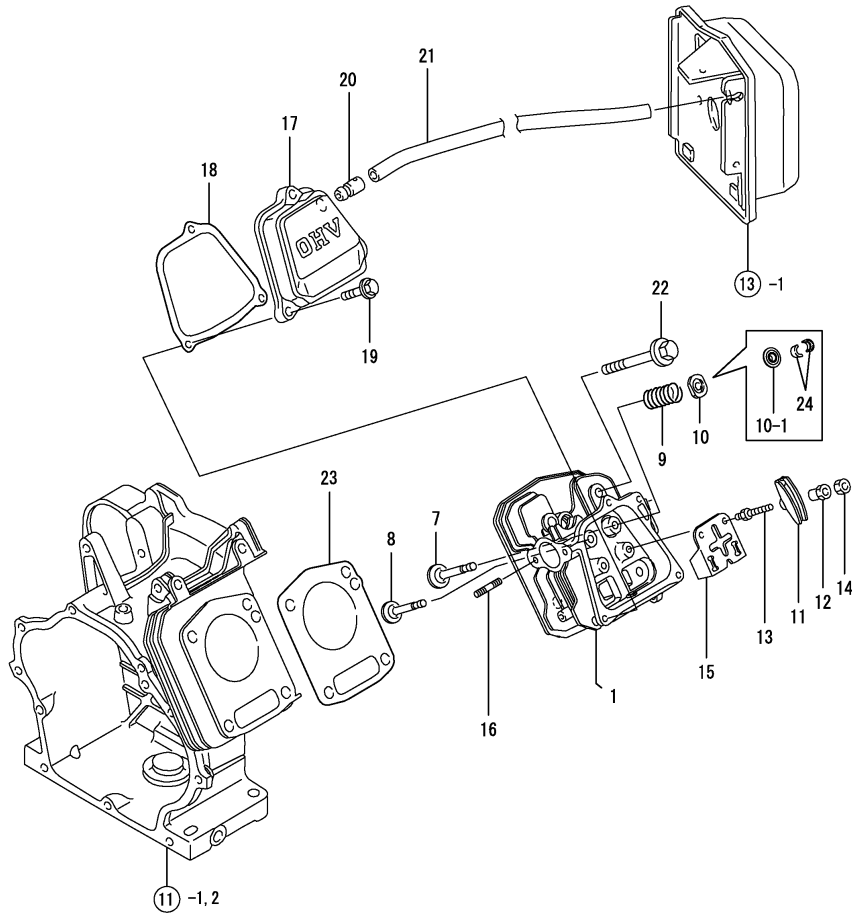
(D)=
(E)=
(F)=



REF.	LEV.	PARTS NO.	DESCRIPTION	Q'TY						I	R
				(A)	(B)	(C)	(D)	(E)	(F)		
1	1	760798-01580	BLOCK ASSY, CYLINDER	1							
2	1	760798-01561	BLOCK ASSY,CYLINDER		1						
7	2	160610-01690	PLUG, DRAIN	2	2						
8	2	104200-59170	GASKET 12	2	2						
9	2	114270-01600	PARALLEL PIN 8X12	2	2						
10	2	160110-02220	SEAL, OIL	1	1						
11	2	24101-062060	BALL BEARING	1	1						
11-1	2	129900-26250	BALL BEARING	1	1						N
		(A=E55064) (B=E55066)									
12	2	160903-28020	BALL BEARING	1	1						
13	1	760792-01504	COVER, CRANKCASE	1	1						
16	2	24101-062060	BALL BEARING	1	1						
16-1	2	129900-26250	BALL BEARING	1	1						N
		(A=E55064) (B=E55066)									
17	2	160110-02220	SEAL, OIL	1	1						
18	2	24101-062060	BALL BEARING	1	1						
18-1	2	129900-26250	BALL BEARING	1	1						N
		(A=E55064) (B=E55066)									
19	2	160903-28020	BALL BEARING	1	1						
21	1	160810-01740	CAP, W/LUB.OIL GAUGE	2	2						
23	2	24311-000180	O-RING 1A P-18.0	2	2						
24	1	26106-080302	BOLT M 8X 30 PLATED	9	9						

Remarks
(REMARKS)"EFFECTIVE MACHINE NO." OF
ENGINE IS INDICATED ON THE
ENGINE LABEL WHICH IS SHOWN
IN FIG.18.

Fig.12. CYLINDER HEAD & BONNET



OCNP3-G72200 12. CYLINDER HEAD & BONNET

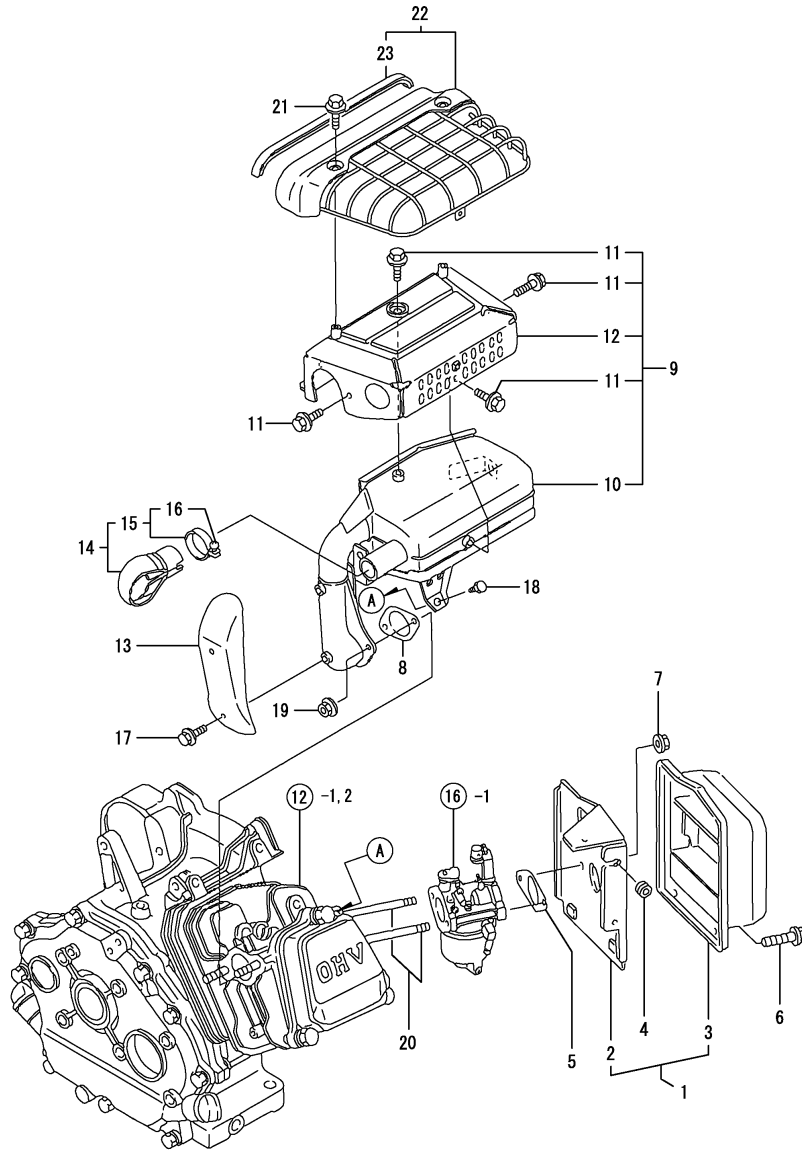
(A)=GA240E-SJ
(B)=GA240E-SEJ
(C)=

(D)=
(E)=
(F)=

REF.	LEV.	PARTS NO.	DESCRIPTION	Q'TY						I	R
				(A)	(B)	(C)	(D)	(E)	(F)		
1	1	160790-11011	HEAD ASSY, CYLINDER	1	1						
7	1	160790-11100	VALVE, INTAKE	1	1						
7-1	1	160790-11101	VALVE, SUCTION	1	1						N
8	1	160790-11110	VALVE, EXHAUST	1	1						
8-1	1	160790-11111	VALVE, EXHAUST	1	1						N
9	1	160890-11120	SPRING, VALVE	2	2						
10	1	160890-11180	RETAINER, SPRING	2	2						
10-1	1	160890-11190	RETAINER, VALVE SP.	2	2						N
11	1	160890-11202	ARM, ROCKER	2	2						
12	1	160690-11221	PIVOT,ROCKER ARM	2	2						
13	1	160890-11270	BOLT,ROCKER ARM	2	2						
14	1	160690-11280	NUT M6X 0.5	2	2						
15	1	160890-11290	PLATE, GUIDE	1	1						
16	1	26216-080182	STUD M 8X 18 PLATED	2	2						
16-1	1	160890-04330	BOLT M 8X 18	2	2						R
17	1	160890-11300	BONNET	1	1						
18	1	160890-11310	GASKET, BONNET	1	1						
18-1	1	160890-11311	GASKET, BONNET	1	1						R
19	1	26106-060352	BOLT M 6X 35 PLATED	3	3						
20	1	160610-03050	BREATHER ASSY	1	1						
21	1	160991-03180	PIPE, BREATHER	1	1						
22	1	160890-01210	BOLT 10X 70	4	4						
23	1	160890-01330	GASKET, CYL. HEAD	1	1						
24	1	720380-11570	COTTER	2	2						W

Remarks
(REMARKS)"EFFECTIVE MACHINE NO." OF
ENGINE IS INDICATED ON THE
ENGINE LABEL WHICH IS SHOWN
IN FIG.18.

Fig.13. AIR CLEANER & MUFFLER



(A)=GA240E-SJ
(B)=GA240E-SEJ
(C)=

(D)=
(E)=
(F)=

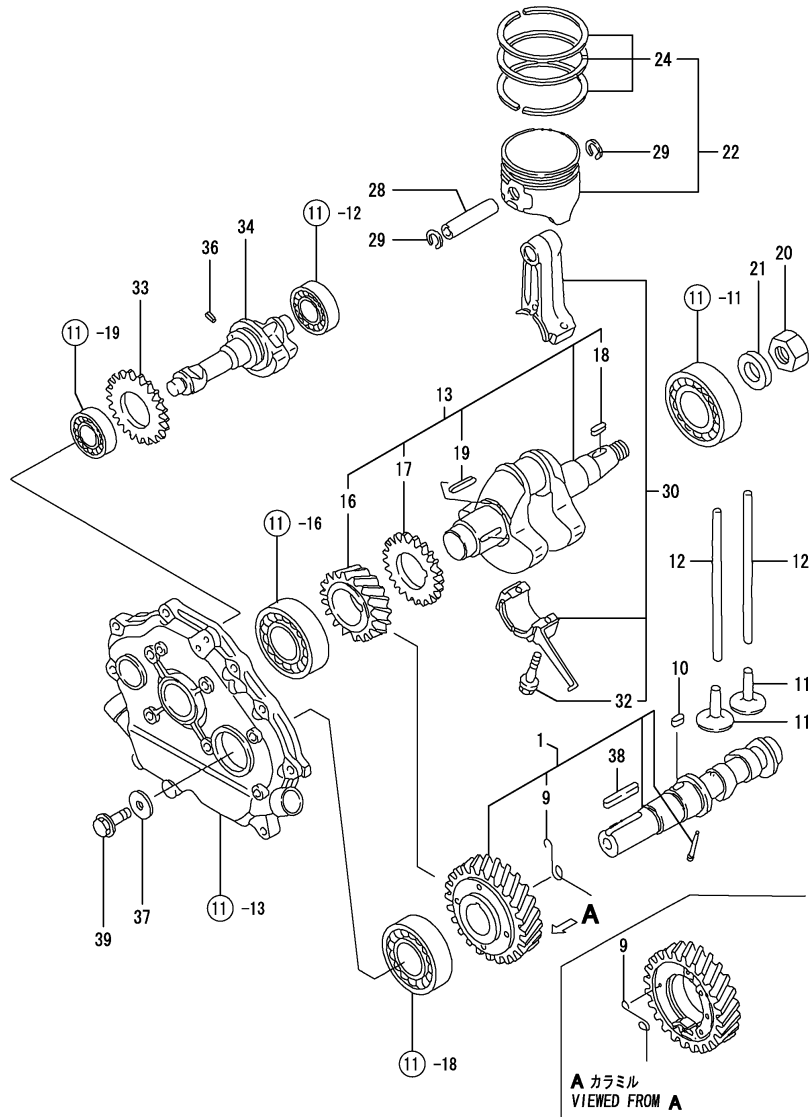
REF.	LEV.	PARTS NO.	DESCRIPTION	QTY						I	R	
				(A)	(B)	(C)	(D)	(E)	(F)			
1	1	160891-12500	CLEANER, AIR	1	1							
2	2	160891-12520	BODY, AIR CLEANER	1	1							
3	2	160891-12530	AIR CLEANER COVER	1	1							
4	1	160763-12600	GROMMET, AIR CLEANER	1	1							
5	1	160810-56151	GASKET, CARBURETOR	1	1							
6	1	26106-060082	BOLT M 6X 8 PLATED	3	3							
7	1	26366-060002	NUT M 6	2	2							
8	1	160890-13210	GASKET, MUFFLER	1	1							
9	1	160891-13610	MUFFLER W/COVER	1	1							
9-1	1	160891-13611	MUFFLER W/COVER	1	1							N
		(A=E54469) (B=E54520)										
I	9-2	160891-13612	MUFFLER ASSY	1	1							N
		(A=*2009.04) (B=*2009.04)										
10	2	160890-13501	MUFFLER	1	1							
10-1	2	160890-13580	MUFFLER	1	1							N
		(A=E54469) (B=E54520)										
I	10-2	160890-13581	MUFFLER	1	1							N
		(A=*2009.04) (B=*2009.04)										
11	2	26106-060082	BOLT M 6X 8 PLATED	4	4							
11-1	2	114252-13950	BOLT M 6X 8 PLATED	4	4							R
		(A=E54469) (B=E54520)										
12	2	160891-13540	COVER, MUFFLER	1	1							
13	1	160890-13660	COVER, ELBOW	1	1							
14	1	114252-13800	PIPE ASSY, EXTERNAL	1	1							
15	2	114252-13910	CLAMP	1	1							
16	3	114252-13960	SCREW 6X 25	1	1							
17	1	114252-13950	BOLT M 6X 8 PLATED	2	2							
18	1	160890-13910	BOLT M 6X 20	1	1							
19	1	26366-080002	NUT M 8	2	2							
20	1	160790-04600	BOLT M 6X 75	2	2							
21	1	114252-13950	BOLT M 6X 8 PLATED	3	3							
22	1	160890-13710	COVER, MUFFLER	1	1							
23	2	160890-13921	RUBBER, SEAL	1	1							
23-1	2	160890-13922	RUBBER, SEAL	1	1							N
		(A=E56982) (B=E56972)										

Remarks
(REMARKS)"EFFECTIVE MACHINE NO." OF
ENGINE IS INDICATED ON THE
ENGINE LABEL WHICH IS SHOWN
IN FIG.18.

Fig.14. CRANKSHAFT,PISTON & CAMSHAFT

(A)=GA240E-SJ
(B)=GA240E-SEJ
(C)=

(D)=
(E)=
(F)=



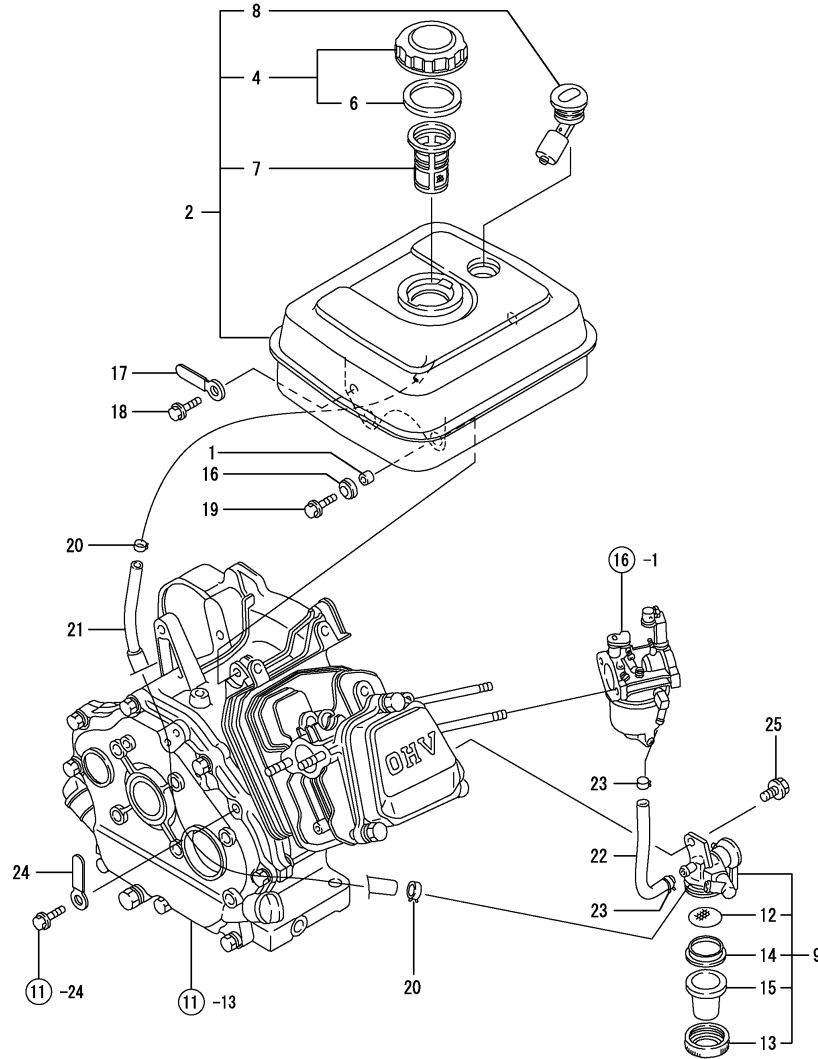
REF.	LEV.	PARTS NO.	DESCRIPTION	QTY						I	R
				(A)	(B)	(C)	(D)	(E)	(F)		
1	1	160890-14051	CAMSHAFT ASSY	1	1						
9	2	160890-14560	SPRING, DECOMP.	1	1						
10	1	22512-050160	KEY 5X16,FEATHER	1	1						
11	1	160890-14200	TAPPET	2	2						
12	1	114250-14400	ROD, PUSH	2	2						
13	1	760790-21700	CRANKSHAFT ASSY	1	1						
16	2	160890-21200	GEAR, CRANKSHAFT	1	1						
17	2	160890-21220	GEAR, BALANCER	1	1						
18	2	22512-040160	KEY 4X 16	1	1						
19	2	22512-040300	KEY 4X 30	1	1						
20	1	26737-160002	NUT M16	1	1						
21	1	22137-160000	WASHER 16,POLISHED	1	1						
22	1	160798-22010	PISTON W/RINGS	1	1						
24	2	760798-22500	RING SET, PISTON	1	1						
28	1	160890-22300	PIN, PISTON	1	1						
29	1	22252-000190	CIRCLIP 19	2	2						
30	1	760790-23700	ROD ASSY, CONNECTING	1	1						
32	2	160810-23201	BOLT, ROD	2	2						
33	1	160890-21220	GEAR, BALANCER	1	1						
34	1	160790-28010	SHAFT, BALANCER	1	1						
36	1	22351-040008	SPRING PIN 4X 8	1	1						
37	1	160310-14550	WASHER	1	1						
38	1	22512-070380	KEY 7X 38	1	1						
39	1	26106-080202	BOLT M 8X 20 PLATED	1	1						

Remarks
(REMARKS)"EFFECTIVE MACHINE NO." OF
ENGINE IS INDICATED ON THE
ENGINE LABEL WHICH IS SHOWN
IN FIG.18.

Fig.15. FUEL TANK & FUEL LINE

(A)=GA240E-SJ
(B)=GA240E-SEJ
(C)=

(D)=
(E)=
(F)=



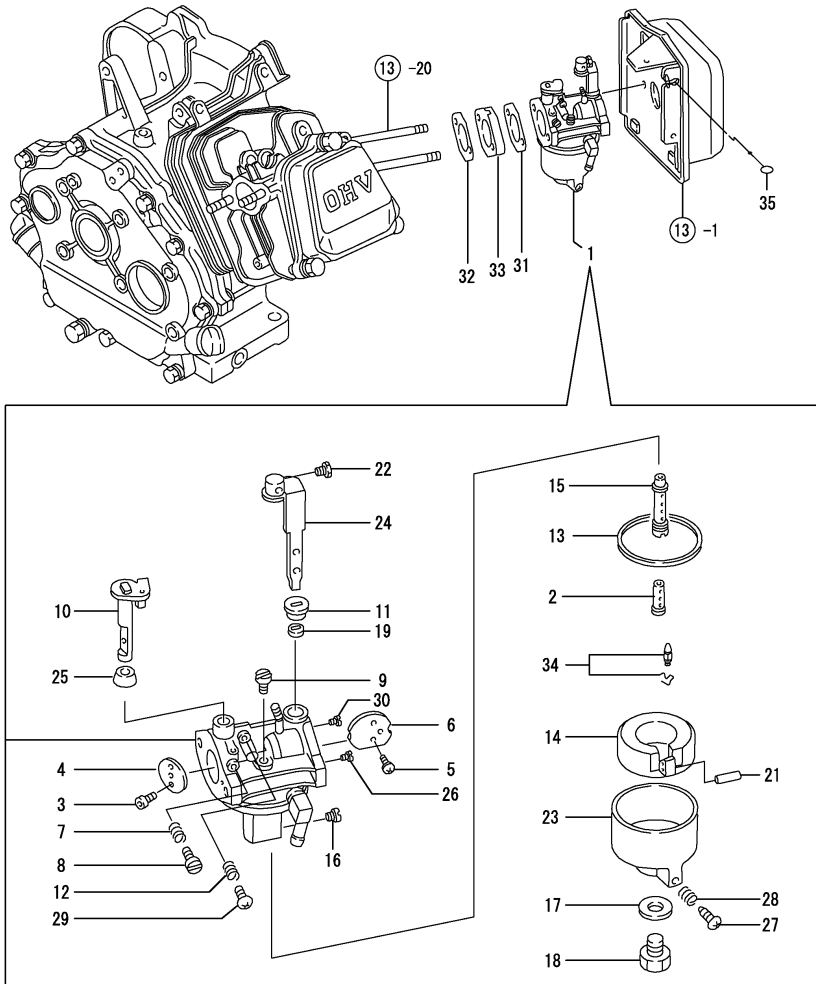
REF.	LEV.	PARTS NO.	DESCRIPTION	Q'TY						I	R
				(A)	(B)	(C)	(D)	(E)	(F)		
1	1	114250-45310	COLLAR	4	4						
2	1	760890-55711	TANK, FUEL (RED)(50)	1	1						
4	2	160710-55061	CAP ASSY, FUEL TANK	1	1						
6	3	160393-55050	GASKET, TANK CAP	1	1						
7	2	160610-55100	STRAINER	1	1						
8	2	160762-55150	GAUGE, FUEL	1	1						
9	1	160991-55300	COCK ASSY, FUEL	1	1						
I	12	2	160710-55382	FILTER	1	1					
I	13	2	160710-55360	RING	1	1					
I	14	2	160710-55370	GASKET	1	1					
	15	2	160903-55390	CUP	1	1					
	15-1	2	160998-55390	BOWL, STRAINER	1	1					R
		(A=E56982)	(B=E56972)								
	16	1	160690-55461	DAMPER, FUEL TANK	4	4					
	16-1	1	160690-55462	DAMPER, FUEL TANK	4	4					N
		(A=E56982)	(B=E56972)								
	17	1	160710-78710	CLAMP, CORD	1	1					
	18	1	26106-060082	BOLT M 6X 8 PLATED	1	1					
	19	1	160690-55140	BOLT, FAN CASE	4	4					
	20	1	106990-44660	CLIP, HOSE	2	2					
	21	1	160920-59350	PIPE A, FUEL	1	1					
	21-1	1	160920-59351	HOSE, FUEL	1	1					N
		(A=E51533)	(B=E51554)								
	22	1	160769-59370	PIPE, FUEL	1	1					
	22-1	1	160769-59371	HOSE, FUEL	1	1					N
		(A=E51533)	(B=E51554)								
	23	1	124060-77680	CLAMP 10	2	2					
	23-1	1	119520-03990	HOSE CLAMP	2	2					R
		(A=E54905)	(B=E54855)								
	24	1	160802-78270	CLAMP, CORD	1	1					
	25	1	26106-060082	BOLT M 6X 8 PLATED	1	1					

Remarks
(REMARKS)"EFFECTIVE MACHINE NO." OF
ENGINE IS INDICATED ON THE
ENGINE LABEL WHICH IS SHOWN
IN FIG.18.

Fig.16. CARBURATOR

(A)=GA240E-SJ
 (B)=GA240E-SEJ
 (C)=

(D)=
 (E)=
 (F)=



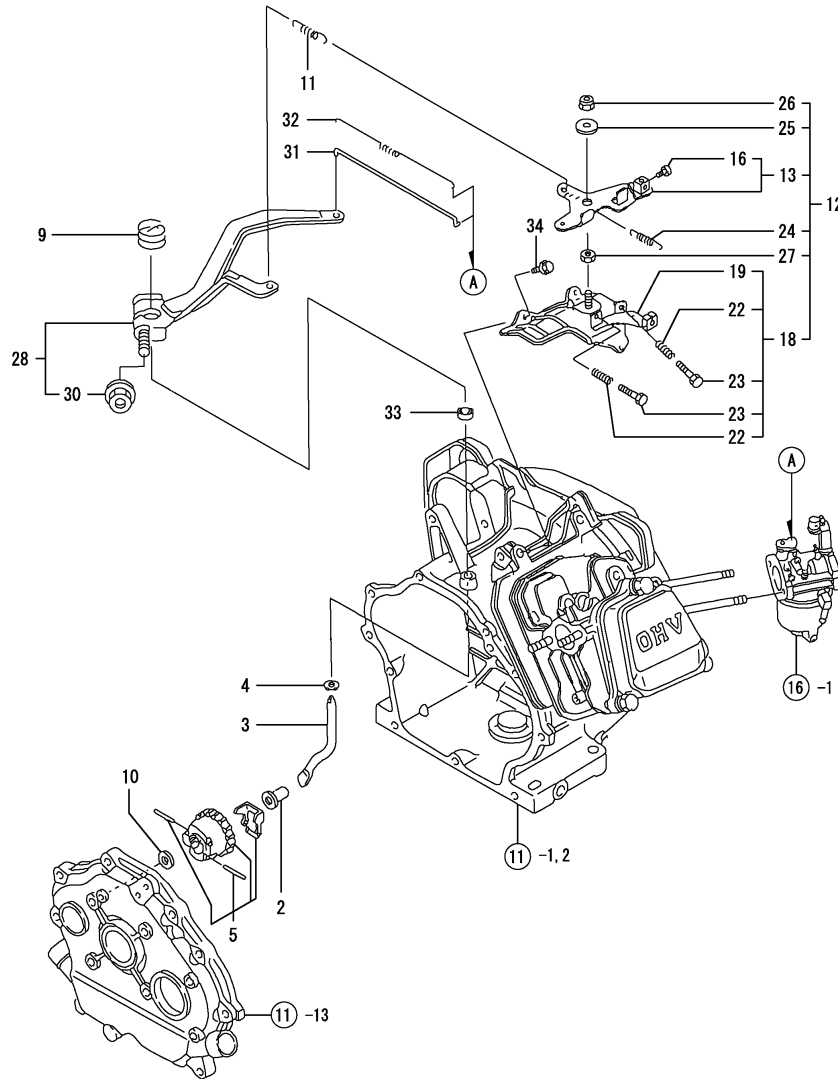
REF.	LEV.	PARTS NO.	DESCRIPTION	QTY						I	R
				(A)	(B)	(C)	(D)	(E)	(F)		
1	1	160798-56041	CARBURETOR ASSY	1	1						
2	2	160790-56570	NOZZLE	1	1						
3	2	160690-56560	SCREW	2	2						
4	2	160880-56760	VALVE, THROTTLE	1	1						
5	2	160690-56570	SCREW	2	2						
6	2	160792-56520	VALVE, CHOKE	1	1						
7	2	181230-56380	SPRING	1	1						
8	2	160667-56750	SCREW, ADJUSTING	1	1						
9	2	160667-56740	JET, PILOT	1	1						
10	2	160792-56530	SHAFT, THROTTLE	1	1						
11	2	160792-56540	RING	1	1						
12	2	181230-56380	SPRING	1	1						
13	2	160210-56610	WASHER	1	1						
14	2	160890-56620	FLOAT ASSY	1	1						
15	2	160793-56561	NOZZLE, MAIN	1	1						
16	2	160797-56570	JET, ENRICHMENT	1	1						
17	2	160120-56721	GASKET	1	1						
18	2	160790-56610	BOLT	1	1						
19	2	160810-56580	RING, CHOKE SHAFT	1	1						
21	2	160610-56630	PIN, FLOAT	1	1						
22	2	26117-040088	BOLT M 4X 8 PLATED	1	1						
23	2	160890-56430	BODY, FLOAT	1	1						
24	2	160790-56600	LEVER, CHOKE	1	1						
25	2	160702-56720	RING	1	1						
26	2	160792-56610	JET, PILOT AIR	1	1						
27	2	160610-56900	SCREW	1	1						
28	2	181230-56380	SPRING	1	1						
29	2	160692-56710	SCREW	1	1						
30	2	160798-56630	JET, AIR	1	1						
31	1	160790-56151	GASKET, CARBURETOR	1	1						
32	1	160810-56151	GASKET, CARBURETOR	1	1						
33	1	160790-56160	INSULATOR, CARBURETOR	1	1						
34	1	160792-56670	VALVE, NEEDLE(RUBBER)	1	1						
35	1	160891-56900	ROD, CHOKE	1	1						1

Remarks
 (1) REPAIR PART.
 (REMARKS)"EFFECTIVE MACHINE NO." OF
 ENGINE IS INDICATED ON THE
 ENGINE LABEL WHICH IS SHOWN
 IN FIG.18.

Fig.17. GOVERNOR & CONTROL DEVICE

(A)=GA240E-SJ
(B)=GA240E-SEJ
(C)=

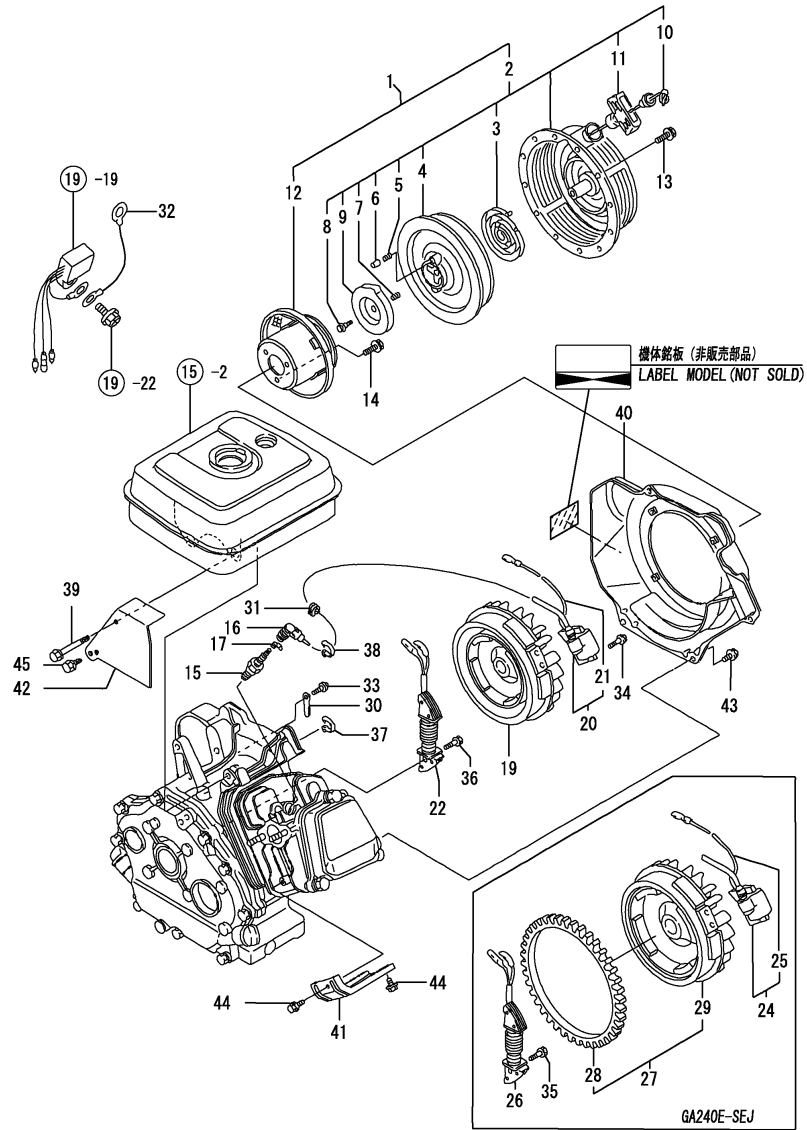
(D)=
(E)=
(F)=



REF.	LEV.	PARTS NO.	DESCRIPTION	QTY						I	R
				(A)	(B)	(C)	(D)	(E)	(F)		
2	1	160690-61301	SPINDLE, GOVERNOR	1	1						
3	1	160690-61311	SHAFT, GOV. LEVER	1	1						
4	1	160690-61450	WASHER	1	1						
5	1	160690-61600	GEAR ASSY, GOV.	1	1						
9	1	160890-66050	SPRING, RETURN	1	1						
10	1	160120-76940	WASHER	1	1						
11	1	160790-66010	SPRING, GOVERNOR	1	1						
12	1	160798-66250	CONTROL ASSY	1	1						
13	2	160692-66051	LEVER ASSY, CONTROL	1	1						
16	3	26117-040088	BOLT M 4X 8 PLATED	1	1						
18	2	160798-66260	BASE ASSY, CONTROL	1	1						
19	3	160798-66140	BASE ASSY	1	1						
22	3	160520-66291	SPRING	2	2						
23	3	26117-040257	BOLT M 4X 25	2	2						
24	2	160664-66220	SPRING, RETURN	1	1						
25	2	160670-66350	COLLAR	1	1						
26	2	26347-060002	U-NUT M 6	1	1						
27	2	26757-060002	NUT M 6	1	1						
28	1	160890-66190	LEVER ASSY, GOVERNOR	1	1						
30	2	26366-060002	NUT M 6	1	1						
31	1	160690-66200	LINK, THROTTLE	1	1						
32	1	160690-66210	SPRING, TENSION	1	1						
33	1	114770-61600	SEAL, OIL	1	1						
34	1	26476-060142	BOLT M 6X 14,TAPPING	3	3						

Remarks
(REMARKS)"EFFECTIVE MACHINE NO." OF
ENGINE IS INDICATED ON THE
ENGINE LABEL WHICH IS SHOWN
IN FIG.18.

Fig.18. FLYWHEEL MAGNET & STARTING DEVICE



Remarks
(REMARKS)"EFFECTIVE MACHINE NO." OF
ENGINE IS INDICATED ON THE
ENGINE LABEL WHICH IS SHOWN
IN FIG.18.

(A)=GA240E-SJ
(B)=GA240E-SEJ
(C)=

(D)=
(E)=
(F)=

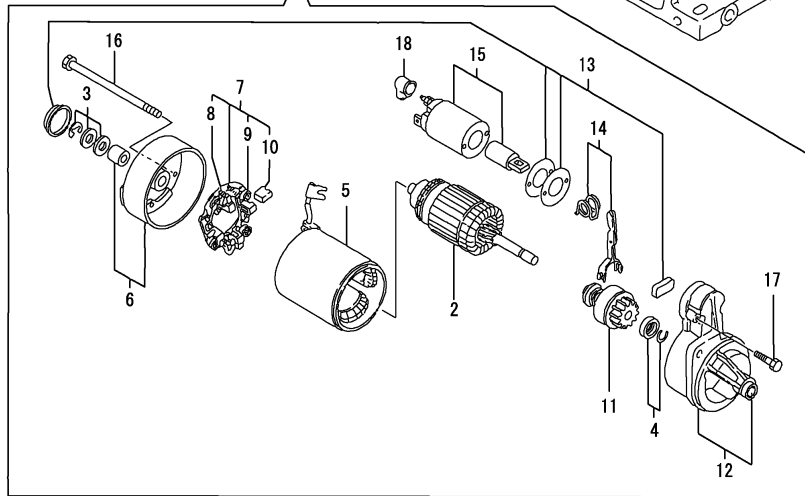
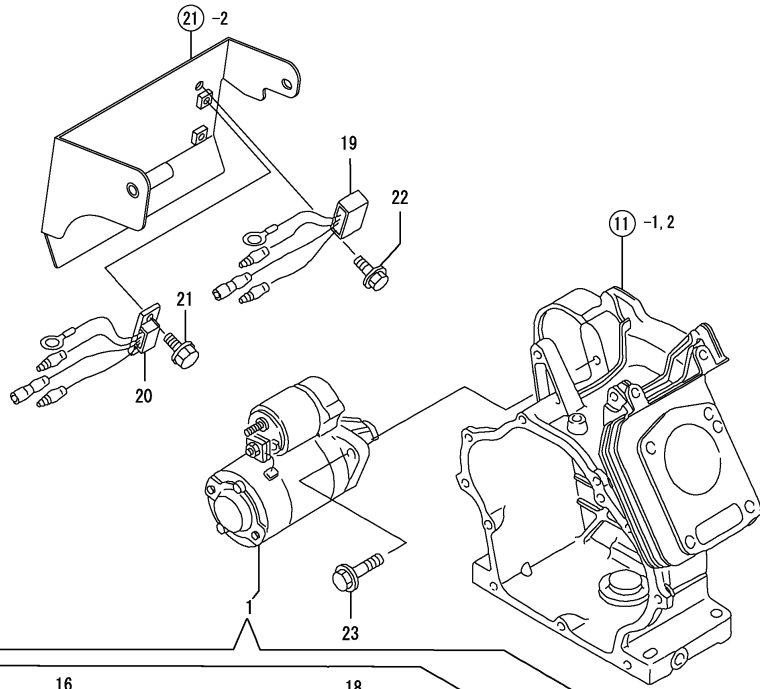
REF.	LEV.	PARTS NO.	DESCRIPTION	QTY						I	R
				(A)	(B)	(C)	(D)	(E)	(F)		
1	1	160798-76060	STARTER ASSY, RECOIL	1	1						
2	2	160891-76250	RECOIL ASSY	1	1						
3	3	160890-76510	SPRING, SPIRAL	1	1						
4	3	160890-76520	REEL	1	1						
5	3	160890-76530	SPRING	1	1						
6	3	160890-76540	DOG	1	1						
7	3	160890-76550	SPRING, BRAKE	1	1						
8	3	160641-76570	SCREW, CENTER	1	1						
9	3	160890-76570	RETAINER	1	1						
10	3	160890-76580	ROPE	1	1						
11	3	160260-76620	KNOB, STARTER	1	1						
12	2	160790-76590	PULLEY, STARTER	1	1						
13	1	26106-060082	BOLT M 6X 8 PLATED	4	4						
14	1	26106-060122	BOLT M 6X 12 PLATED	3	3						
15	1	160793-78010	PLUG, SPARK	1	1						
16	1	160700-78040	CAP, PLUG	1	1						
17	1	160700-78050	TERMINAL, PLUG	1	1						
19	1	160790-78500	ROTOR	1							
20	1	160791-78522	IGNITER	1							
21	2	160690-78230	CORD, STOP	1							
22	1	160798-78620	COIL, LAMP	1							
24	1	160791-78522	IGNITER		1						
24-1	1	160998-78400 (B=*2010.01)	IGNITER		1						N
25	2	160690-78230	CORD, STOP		1						
26	1	160793-78630	COIL, CHARGE		1						
27	1	160791-78750	ROTOR		1						
27-1	1	160791-78751 (B=E55805)	ROTOR		1						N
28	2	160891-78170	GEAR, RING		1						
28-1	2	160891-78171 (B=E55805)	GEAR,RING		1						N
29	2	160791-78510	ROTOR		1						
30	1	160710-78710	CLAMP, CORD	1	1						
31	1	160700-78720	GROMMET	1	1						
32	1	160891-78200	LEAD WIRE		1						
33	1	26476-060142	BOLT M 6X 14,TAPPING	1	1						
34	1	26476-060252	BOLT M 6X 25,TAPPING	2	2						
35	1	26476-060252	BOLT M 6X 25,TAPPING		2						
36	1	26476-060252	BOLT M 6X 25,TAPPING	2							
37	1	29610-000650	CLAMP, SPEED 065	1	1						
38	1	29610-000950	CLAMP, SPEED 095	1	1						Z
39	1	160611-04350 (A=E55805)	BOLT 6X70,TAPPING	1	1						
40	1	160798-45130 (B=E55805)	CASE,FAN (WHITE)(14)	1	1						
41	1	160890-45200	HEAD COVER, SIDE	1	1						
42	1	160891-45230	COVER, CYLINDER	1	1						
43	1	26476-060142	BOLT M 6X 14,TAPPING	4	4						
44	1	26476-060142	BOLT M 6X 14,TAPPING	2	2						
45	1	26476-060142	BOLT M 6X 14,TAPPING	1	1						

N:Old $\frac{Yes}{No}$ New, Q:Old $\frac{No}{Yes}$ New, R:Old $\frac{Yes}{No}$ New, S:Old $\frac{No}{Yes}$ New, W:Add, Z:Discontinued, F:Interchangeable by set, K:Q'ty Change

Fig.19. STARTING MOTOR

(A)=GA240E-SJ
(B)=GA240E-SEJ
(C)=

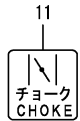
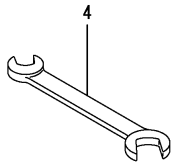
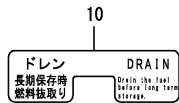
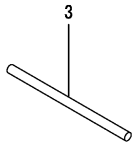
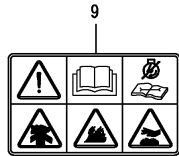
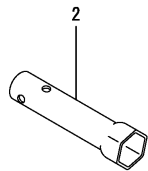
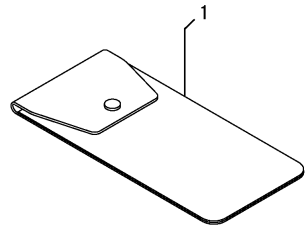
(D)=
(E)=
(F)=



REF.	LEV.	PARTS NO.	DESCRIPTION	QTY						I	R
				(A)	(B)	(C)	(D)	(E)	(F)		
1	1	160891-77020	STARTER		1						
2	2	114371-77110	ARMATURE		1						
3	2	X2114811000	WASHER KIT, THRUST		1						
4	2	X2114715500	STOPPER SET, PINION		1						
5	2	114371-77130	COIL ASSY, FIELD		1						
6	2	114371-77140	COVER ASSY, REAR		1						
7	2	114371-77160	HOLDER ASSY, BRUSH		1						
8	3	114371-79040	BRUSH (-)		2						
9	3	114371-79060	SPRING, BRUSH		4						
10	3	114371-79050	BRUSH (+)		1						
11	2	160891-77750	PINION ASSY		1						
12	2	160891-77760	HOUSING ASSY, GEARS		1						
13	2	114371-77170	COVER KIT, DUST		1						
14	2	114371-77180	SHIFT LEVER KIT		1						
15	2	124298-77020	SWITCH, MAGNET		1						
16	2	124195-77770	THROUGH BOLT		2						
17	2	114371-79070	BOLT M 6X 37		2						
18	2	X2114274200	COVER, TERMINAL		1						
19	1	160708-77350	RECTIFIER		1						
20	1	160791-77490	HARNESS		1						
21	1	26023-040102	SCREW M 4X 10		2						
22	1	26106-060122	BOLT M 6X 12 PLATED		1						
23	1	26106-100302	BOLT M10X 30 PLATED		2						

Remarks
(REMARKS)"EFFECTIVE MACHINE NO." OF
ENGINE IS INDICATED ON THE
ENGINE LABEL WHICH IS SHOWN
IN FIG.18.

Fig.20. TOOLS & LABELS



0CNP3-G72200 20. TOOLS & LABELS

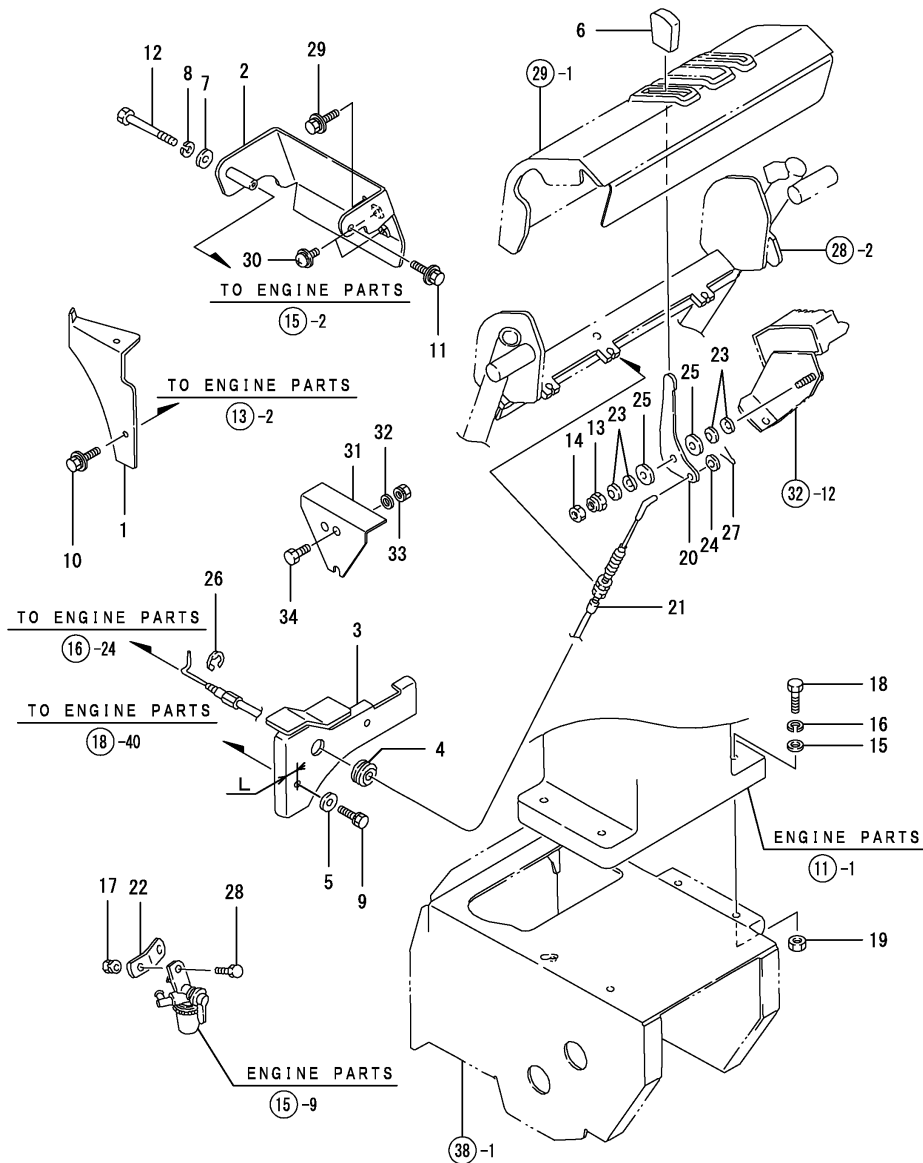
(A)=GA240E-SJ
(B)=GA240E-SEJ
(C)=

(D)=
(E)=
(F)=

REF.	LEV.	PARTS NO.	DESCRIPTION	QTY						I	R
				(A)	(B)	(C)	(D)	(E)	(F)		
1	1	160708-92610	BAG, TOOL	1	1						
2	1	160120-92700	SPANNER, BOX	1	1						
3	1	160110-92710	BAR	1	1						
4	1	28110-100120	WRENCH 10X12	1	1						
7	1	160798-07100	LABEL, FINGER START	1	1						
9	1	160991-07260	LABEL	1	1						
10	1	160690-07260	LABEL, DRAIN	1	1						
11	1	160690-07400	LABEL	1	1						

Remarks
(REMARKS)"EFFECTIVE MACHINE NO." OF
ENGINE IS INDICATED ON THE
ENGINE LABEL WHICH IS SHOWN
IN FIG.18.

Fig.21. ENGINE RELATED



OCNP3-G72200 21. ENGINE RELATED

(A)=YSR7W-T
(B)=YSR7W-TS
(C)=YSR9W-T

(D)=YSR9W-TS
(E)=
(F)=

REF.	LEV.	PARTS NO.	DESCRIPTION	QTY						I	R
				(A)	(B)	(C)	(D)	(E)	(F)		
1	1	1N1723-00061	COVER B,AMXILIARY			1	1				
2	1	1N1723-00280	BRACKET			1	1				
3	1	1N1723-00330	COVER A,AUXILIARY			1	1				
3-1	1	1N1723-00331	COVER (C=F010751) (D=F015391)			1	1			S	1
4	1	1N1723-00350	GROMMET BG-12-1			1	1				
5	1	1J3999-02010	WASHER 6			2	2				
6	1	194273-47910	KNOB			1	1				
7	1	22117-060000	WASHER 6			1	1				
8	1	22217-060000	SPRING WASHER 6			1	1				
9	1	26016-060204	BOLT M 6X 20			2	2				
10	1	26018-060124	BOLT M 6X 12			2	2				
11	1	26106-060122	BOLT M 6X 12 PLATED			1	1				
12	1	26117-060452	BOLT M 6X 45 PLATED			1	1				
13	1	26347-080002	U-NUT M 8			1	1				
14	1	26717-080002	NUT 8			1	1				
15	1	22137-100000	WASHER 10,POLISHED			4	4				
16	1	22217-100000	SPRING WASHER 10			4	4				
17	1	26051-060002	NUT M 6			1	1				
18	1	26116-100402	BOLT 10X 40			4	4				
19	1	26717-100002	NUT M10			2	2				
20	1	1N3300-02100	LEVER			1	1				
20-1	1	1N3390-02100	LEVER,ACCEL (C=FXXXXXX) (D=FXXXXXX)			1	1			N	
21	1	1N3300-02150	WIRE ASSY, THROTTLE			1	1				
21-1	1	1N3310-02150	WIRE ASSY, THROTTLE (C=F010171) (D=F015086)			1	1			N	
22	1	1N3300-02200	FUEL COCK BOSS			1	1				
23	1	1N1570-51130	SPRING,BELLEVILLE			4	4				
24	1	22117-060000	WASHER 6			1	1				
25	1	22137-080000	WASHER 8, POLISHED			2	2				
26	1	22272-000050	CIRCLIP E- 5			1	1				
27	1	22417-200100	COTTER PIN 2.0X10			1	1				
28	1	26117-060162	BOLT M 6X 16 PLATED			1	1				
29	1	26018-060124	BOLT M 6X 12				1				
30	1	26023-040062	SCREW M 4X6				2				
31	1	1N3300-00050	GUARD,MUFFLER (C=F010676) (D=F015356)			1	1			W	
32	1	22137-060000	WASHER 6, POLISHED (C=F010676) (D=F015356)			1	1			W	
33	1	26051-060002	NUT M 6 (C=F010676) (D=F015356)			1	1			W	
34	1	26117-060122	BOLT M 6X 12 PLATED (C=F010676) (D=F015356)			1	1			W	

Remarks

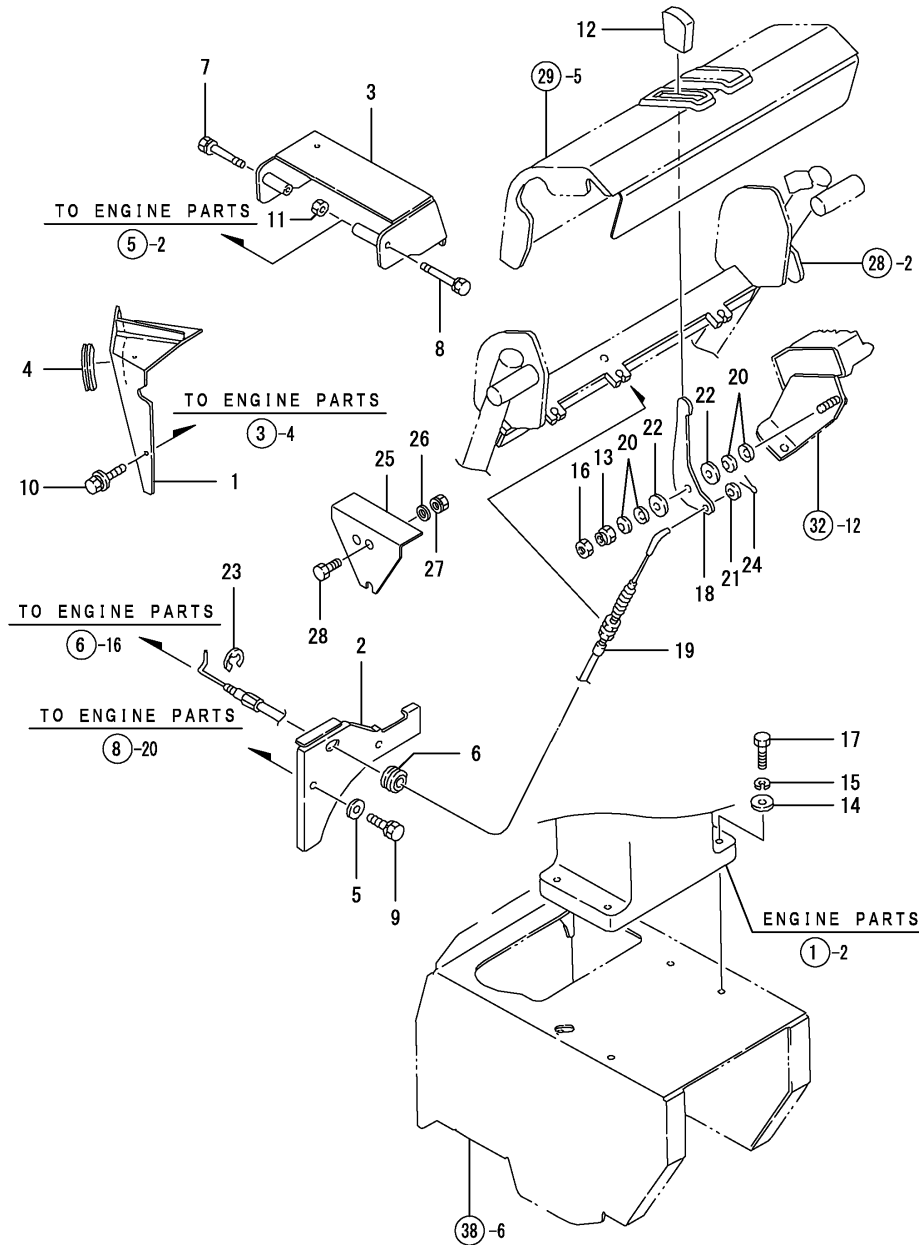
(1) L= REF.NO.3 16M/M, 3-1 10M/M.

N:Old $\xrightarrow{\text{Yes}}$ New, Q:Old $\xrightarrow{\text{No}}$ New, R:Old $\xrightarrow{\text{Yes}}$ New, S:Old $\xrightarrow{\text{No}}$ New, W:Add, Z:Discontinued, F:Interchangeable by set, K:Q'ty Change

Fig.22. ENGINE RELATED

(A)=YSR7W-T
(B)=YSR7W-TS
(C)=YSR9W-T

(D)=YSR9W-TS
(E)=
(F)=

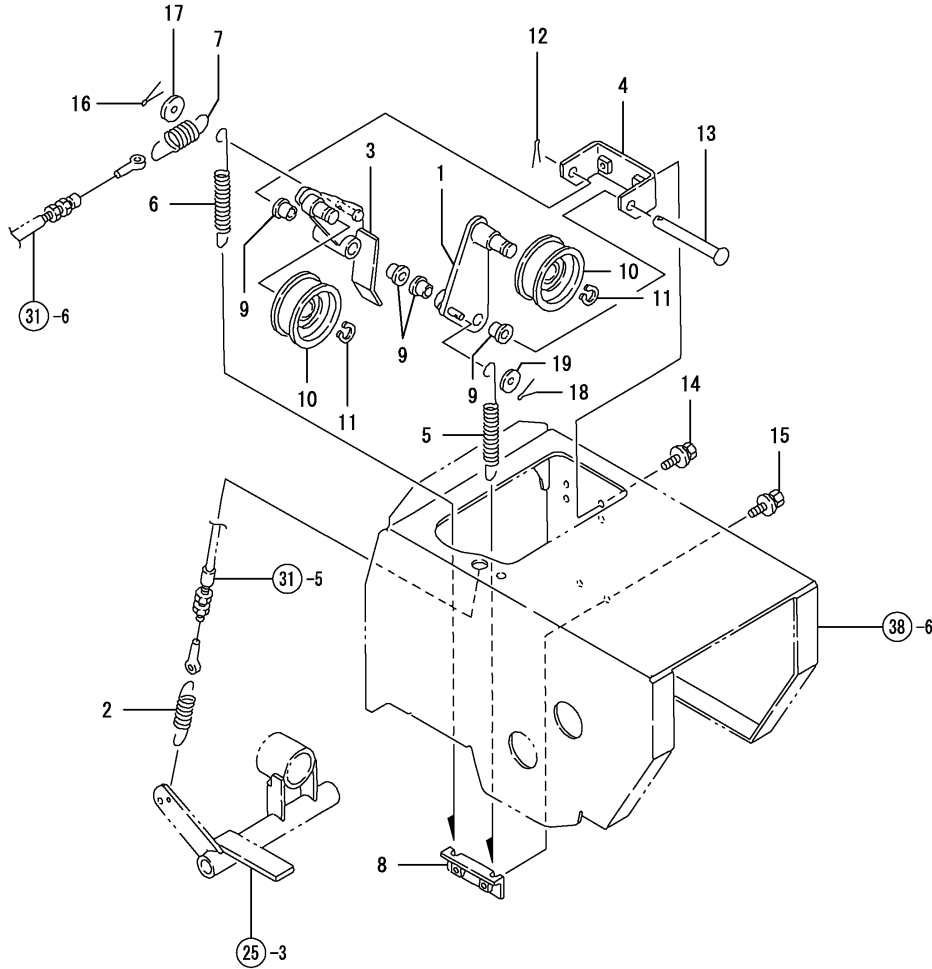


REF.	LEV.	PARTS NO.	DESCRIPTION	QTY						I	R
				(A)	(B)	(C)	(D)	(E)	(F)		
1	1	1N1713-00040	COVER B COMP.,AUX.	1	1						
2	1	1N1713-00080	COVER A COMP.,AUX.	1	1						
3	1	1N1713-00100	COVER COMP.,BRACKET	1	1						
4	1	1N1713-00170	MOLDINGS 55	1	1						
5	1	1J3999-02010	WASHER 6	2	2						
6	1	194080-58820	GROMMET 15	1	1						
7	1	26013-060504	BOLT M 6X 50	1	1						
8	1	26013-060554	BOLT M6X55	1	1						
9	1	26016-060204	BOLT M 6X 20	2	2						
10	1	26018-060124	BOLT M 6X 12	2	2						
11	1	26717-060002	NUT M 6	2							
12	1	194273-47910	KNOB	1	1						
13	1	26347-080002	U-NUT M 8	1	1						
14	1	22137-080000	WASHER 8, POLISHED	4	4						
15	1	22217-080000	SPRING WASHER 8	4	4						
16	1	26717-080002	NUT 8	1	1						
17	1	26116-080352	BOLT M 8X 35	4	4						
18	1	1N3300-02100	LEVER	1	1						
18-1	1	1N3390-02100	LEVER,ACCEL	1	1						N
		(A=FXXXXXXX) (B=FXXXXXXX)									
19	1	1N3310-02150	WIRE ASSY, THROTTLE	1	1						
20	1	1N1570-51130	SPRING,BELLEVILLE	4	4						
21	1	22117-060000	WASHER 6	1	1						
22	1	22137-080000	WASHER 8, POLISHED	2	2						
23	1	22272-000050	CIRCLIP E- 5	1	1						
24	1	22417-200100	COTTER PIN 2.0X10	1	1						
25	1	1N3300-00050	GUARD,MUFFLER	1	1						W
		(A=F010448) (B=F015114)									
26	1	22137-060000	WASHER 6, POLISHED	1	1						W
		(A=F010448) (B=F015114)									
27	1	26051-060002	NUT M 6	1	1						W
		(A=F010448) (B=F015114)									
28	1	26117-060122	BOLT M 6X 12 PLATED	1	1						W
		(A=F010448) (B=F015114)									

Fig.23. TENSION CLUTCH

(A)=YSR7W-T
(B)=YSR7W-TS
(C)=YSR9W-T

(D)=YSR9W-TS
(E)=
(F)=

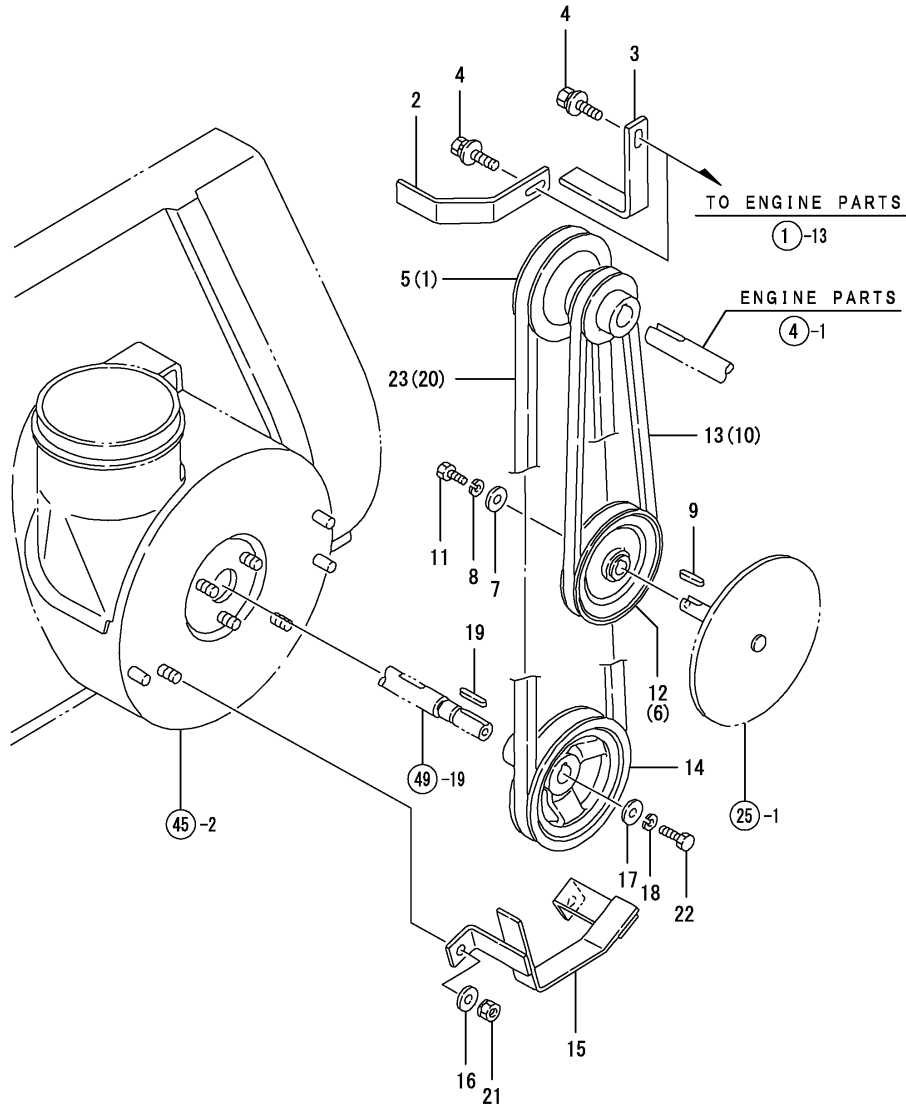


REF.	LEV.	PARTS NO.	DESCRIPTION	QTY						I	R
				(A)	(B)	(C)	(D)	(E)	(F)		
1	1	1N3300-11000	TRAVEL TENSION	1	1	1	1				
2	1	1N3300-11080	SPRING 20X64	1	1	1	1				
3	1	1N3300-11100	SNOW REMOVING,TENS	1	1	1	1				
3-1	1	1N3300-11101 (A=F010176)	SNOW REMOVING,TENS (B=F015049)	1	1	1	1				N
4	1	1N3300-11200	FULCRUM, TENSION (C=F010171)	1	1	1	1				
5	1	1N3021-11251	SPRING 11X110 (D=F015086)	1	1	1	1				
6	1	1N3300-11250	SPRING 11X122	1	1	1	1				
7	1	1N3300-11260	SPRING 17.5X60.5	1	1	1	1				
8	1	1N3300-11300	SHOE,TENSION SPRING	1	1	1	1				
9	1	1N3021-31580	BUSH 10X15,FLANGED	4	4	4	4				
10	1	1E7030-51301	ROLLER ASSY, TENSION	2	2	2	2				
11	1	22242-000150	CIRCLIP 15	2	2	2	2				
12	1	22417-200160	COTTER PIN 2.0X16	1	1	1	1				
13	1	1N3300-11270	RIVET 10X76	1	1	1	1				
14	1	26018-060162	BOLT M6X16	2	2	2	2				
15	1	26018-060162	BOLT M6X16	2	2	2	2				
16	1	22417-160100	COTTER PIN	1	1	1	1				
17	1	22157-060000	WASHER 6	1	1	1	1				
18	1	22417-160100	COTTER PIN	1	1	1	1				
19	1	22137-060000	WASHER 6, POLISHED	1	1	1	1				

Fig.24. ENGINE PULLEY & BELT

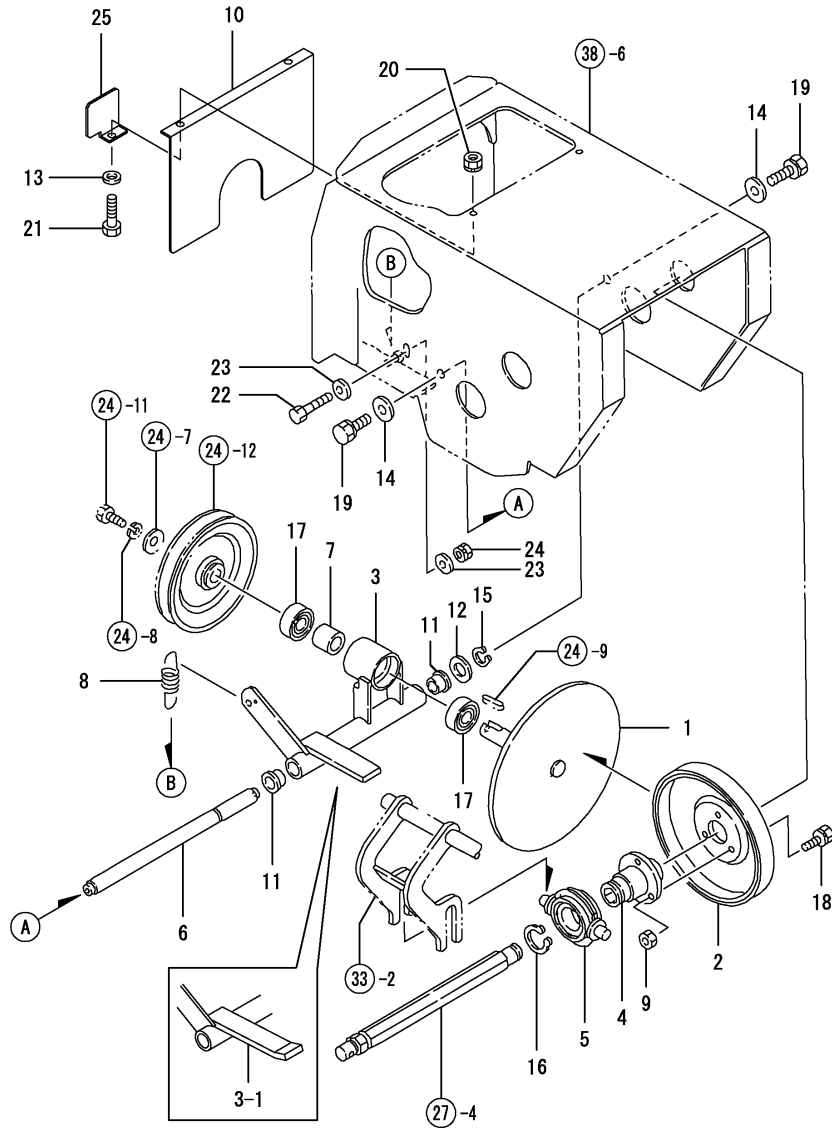
(A)=YSR7W-T
(B)=YSR7W-TS
(C)=YSR9W-T

(D)=YSR9W-TS
(E)=
(F)=



REF.	LEV.	PARTS NO.	DESCRIPTION	Q'TY						I	R
				(A)	(B)	(C)	(D)	(E)	(F)		
1	1	1N3300-12000	ENGINE PULLEY (9W)			1	1				
2	1	1N3300-12100	RETAINER A,BELT	1	1	1	1				
2-1	1	1N3300-12101	RETAINER A,BELT	1	1	1	1				N
3	1	(A=F010176) 1N3300-12150	RETAINER B,BELT	1	1	1	1				
4	1	(B=F015049) 26018-080162	BOLT M 8X 16	2	2	2	2				
5	1	1N3310-12000	ENGINE PULLEY (7W)	1	1						
6	1	1N3300-12050	PULLEY 126A			1	1				
7	1	22157-060000	WASHER 6	1	1	1	1				
8	1	22217-060000	SPRING WASHER 6	1	1	1	1				
9	1	22550-050150	KEY 5X15	1	1	1	1				
10	1	25122-002901	V-BELT				1	1			
11	1	26116-060162	BOLT 6X16	1	1	1	1				
12	1	1N3310-12050	PULLEY 108.5A	1	1						
13	1	25122-002601	V-BELT	1	1						
14	1	1N3300-12010	PULLEY 133B	1	1	1	1				
15	1	1N3300-12200	GUIDE, BELT	1	1	1	1				
15-1	1	1N3300-12201	GUIDE, BELT	1	1	1	1				N
16	1	(A=F010176) 22137-080000	WASHER 8, POLISHED	2	2	2	2				
17	1	(B=F015049) 22157-080000	WASHER 8	1	1	1	1				
18	1	22217-080000	SPRING WASHER 8	1	1	1	1				
19	1	22512-050300	KEY 5X 30	1	1	1	1				
20	1	25123-003301	V-BELT				1	1			
20-1	1	1N3300-12300	V-BELT LB33-AG6				1	1			N
21	1	(C=F010171) 26051-080002	NUT M 8	2	2	2	2				
22	1	(D=F015086) 26116-080252	BOLT M 8X 25 PLATED	1	1	1	1				
23	1	25123-002901	V-BELT	1	1						

Fig.25. TRAVEL DRIVE



(A)=YSR7W-T
(B)=YSR7W-TS
(C)=YSR9W-T

(D)=YSR9W-TS
(E)=
(F)=

REF.	LEV.	PARTS NO.	DESCRIPTION	QTY						I	R
				(A)	(B)	(C)	(D)	(E)	(F)		
1	1	1N3300-21000	PLATE,CHANGE	1	1	1	1				
2	1	1N1570-21200	PLATE,FRICTION	1	1	1	1				
3	1	1N3300-21200	PLATE JOINT	1	1	1	1				
3-1	1	1N3300-21201	BEARING,PLATE	1	1	1	1				S
		(A=F010176) (B=F015049) (C=F010171) (D=F015086)									
4	1	1N1720-21211	SEAT,FRICTN PL.MTG.	1	1	1	1				
5	1	1N1570-21300	SLIDER,CLUTCH	1	1	1	1				
6	1	1N3300-21300	PLATE,FULCRUM,JOINT	1	1	1	1				
7	1	1N3300-21310	COLLAR 15X19X18	1	1	1	1				
8	1	1N3300-21320	SPRING 16X45	1	1						
8-1	1	1N3300-21321	SPRING 16X45	1	1	1	1				N
		(A=F010176) (B=F015049)									
9	1	26717-060002	NUT M 6	3	3	3	3				
10	1	1N3300-21400	PARTING PLATE,CHASSY	1	1	1	1				
11	1	1S6000-61220	BUSH,COLLAR	2	2	2	2				
12	1	22117-120000	WASHER 12	1	1	1	1				
13	1	22137-060000	WASHER 6, POLISHED	2	2	2	2				
14	1	22137-080000	WASHER 8, POLISHED	2	2	2	2				
14-1	1	22117-080000	WASHER 8	2	2	2	2				N
		(A=F010311) (B=F015089) (C=F010511) (D=F015281)									
15	1	22242-000120	CIRCLIP 12	1	1	1	1				
16	1	22242-000250	CIRCLIP 25S	1	1	1	1				
17	1	24104-060024	BALL BEARING 6002UU	2	2	2	2				
18	1	26016-060164	BOLT 6X16 W/L.W.	3	3	3	3				
19	1	26016-080164	BOLT M 8X 16	2	2	2	2				
20	1	26051-060002	NUT M 6	2	2	2	2				
21	1	26117-060122	BOLT M 6X 12 PLATED	2	2	2	2				
21-1	1	26117-060162	BOLT M 6X 16 PLATED	2	2	2	2				N
		(A=F010448) (B=F015114) (C=F010676) (D=F015356)									
22	1	26116-060254	BOLT M 6X 25 PLATED	1	1	1	1				
23	1	22157-060000	WASHER 6	2	2	2	2				
24	1	26051-060002	NUT M 6	1	1	1	1				
25	1	1N3300-21450	SPACER,CHASSIS	1	1	1	1				W
		(A=F010448) (B=F015114) (C=F010676) (D=F015356)									

Fig.26. BRAKE

(A)=YSR7W-T
(B)=YSR7W-TS
(C)=YSR9W-T

(D)=YSR9W-TS
(E)=
(F)=

REF.	LEV.	PARTS NO.	DESCRIPTION	Q'TY						I	R
				(A)	(B)	(C)	(D)	(E)	(F)		
1	1	1N3300-22000	PLATE,PARKING BRAKE	1	1	1	1				
1-1	1	1N3300-22001	PLATE,PARKING BRAKE	1	1	1	1				S
		(A=F010176)	(B=F015049)	(C=F010171)	(D=F015086)						
2	1	1N3300-22100	STOPPER,BRAKE	1	1	1	1				
3	1	1N3300-22160	SPRING 11X175	1	1	1	1				
4	1	1N3300-22170	SPRING 9X82	1	1	1	1				
5	1	1N3300-22200	LEVER, BRAKE	1	1	1	1				
6	1	22137-060000	WASHER 6, POLISHED	1	1	1	1				
7	1	22157-060000	WASHER 6	2	2	2	2				
8	1	22242-000100	CIRCLIP 10	1	1	1	1				
9	1	22417-160100	COTTER PIN	1	1	1	1				
10	1	26016-060162	BOLT M 6X 16	2	2	2	2				
11	1	26018-060122	BOLT M 6X 12	2	2	2	2				

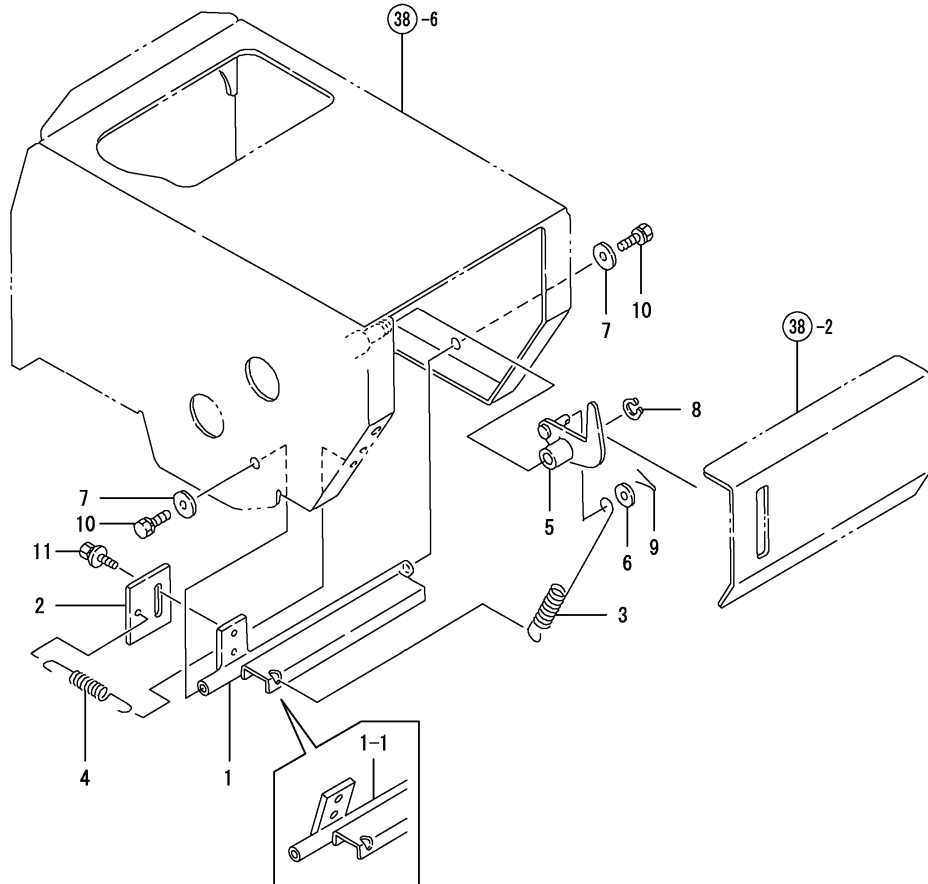
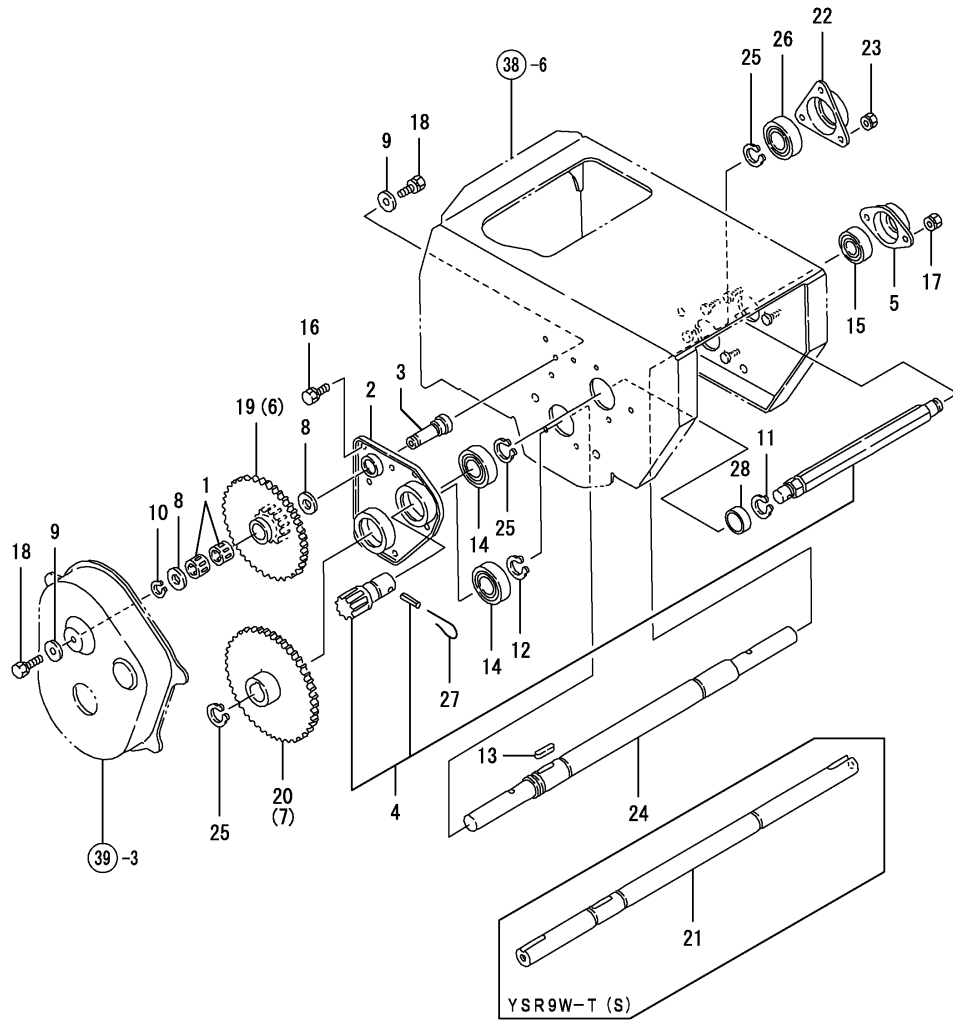


Fig.27. REDUCTION GEAR & AXLE



(A)=YSR7W-T
(B)=YSR7W-TS
(C)=YSR9W-T

(D)=YSR9W-TS
(E)=
(F)=

REF.	LEV.	PARTS NO.	DESCRIPTION	Q'TY						I	R
				(A)	(B)	(C)	(D)	(E)	(F)		
1	1	1N1570-21600	BEARING	2	2	2	2				
2	1	1N3300-23000	JOINT,GEAR,REDUCTION	1	1	1	1				
3	1	1N3300-23050	SHAFT,COUNTER	1	1	1	1				
4	1	1N3300-23090	PINION GEAR CMP	1	1	1	1				
5	1	1F1150-23140	JOINT	1	1	1	1				
6	1	1N3300-23200	GEAR,COUNTER			1	1				
7	1	1N3300-23300	GEAR,AXLE 86			1	1				
8	1	22117-120000	WASHER 12	2	2	2	2				
9	1	22157-060000	WASHER 6	2	2	2	2				
10	1	22242-000120	CIRCLIP 12	1	1	1	1				
11	1	22242-000190	CIRCLIP 19	1	1	1	1				
12	1	22242-000200	CIRCLIP 20	1	1	1	1				
13	1	22512-050260	KEY 5* 26	1	1	1	1				
14	1	24104-060044	BALL BEARING	2	2	2	2				
15	1	24104-062024	BALL BEARING	1	1	1	1				
16	1	26016-060124	BOLT 6X12 W/L.W.	7	7	7	7				
16-1	1	26016-060122	BOLT M 6X 12	7	7	7	7				N
		(A=F010311)	(B=F015089)	(C=F010571)	(D=F015321)						
17	1	26051-060002	NUT M 6	2	2	2	2				
18	1	26016-060162	BOLT M 6X 16	2	2	2	2				
19	1	1N3310-23200	GEAR,COUNTER	1	1						
20	1	1N3310-23300	GEAR,AXLE 84	1	1						
21	1	1N3300-25000	AXLE (9W)			1	1				
22	1	1N3300-25100	JOINT 6004	1	1	1	1				
23	1	26051-060002	NUT M 6	3	3	3	3				
24	1	1N3310-25000	AXLE (7W)	1	1						
25	1	22242-000200	CIRCLIP 20	3	3	3	3				
26	1	24104-060044	BALL BEARING	1	1	1	1				
27	1	22451-160000	WIRE 1.6	1	1	1	1				W
		(A=F010176)	(B=F015049)	(C=F010171)	(D=F015086)						
28	1	1N3300-23180	COLLAR, 20X25X9.5	1	1	1	1				W
		(A=F010448)	(B=F015114)	(C=F010676)	(D=F015356)						

Fig.28. HANDLE

0CNP3-G72200 28. HANDLE

(A)=YSR7W-T
(B)=YSR7W-TS
(C)=YSR9W-T

(D)=YSR9W-TS
(E)=
(F)=

REF.	LEV.	PARTS NO.	DESCRIPTION	Q'TY						I	R
				(A)	(B)	(C)	(D)	(E)	(F)		
1	1	1N3300-30000	HANDLE	2	2	2	2				
2	1	1N3300-30100	FRAME,HANDLE	1	1	1	1				
2-1	1	1N3300-30101	FRAME,HANDLE	1	1	1	1				N
3	1	(A=F010176) 1N1710-82140	(B=F015049) GRIP BK-8,HANDLE (C=F010171) (D=F015086)	2	2	2	2				
4	1	22117-080000	WASHER 8	4	4	4	4				
5	1	26016-080164	BOLT M 8X 16	4	4	4	4				
6	1	26016-100252	BOLT M10X 25	4	4	4	4				
6-1	1	26051-100002	NUT M10			4	4				S
7	1	1N3300-30250	(C=F010171) BRACKET (D=F015086)			2	2				W
8	1	22117-100000	(C=F010171) WASHER 10 (D=F015086)			4	4				W

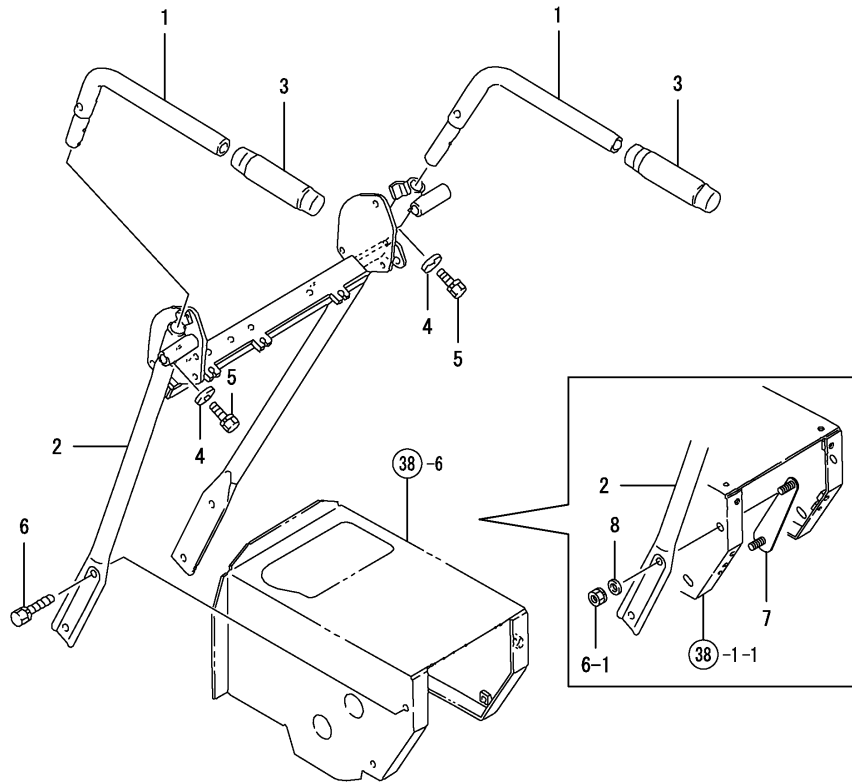


Fig.29. CONTROL PANEL

(A)=YSR7W-T
(B)=YSR7W-TS
(C)=YSR9W-T

(D)=YSR9W-TS
(E)=
(F)=

REF.	LEV.	PARTS NO.	DESCRIPTION	Q'TY						I	R
				(A)	(B)	(C)	(D)	(E)	(F)		
1	1	1N3300-30290	CONTROL PANEL(9W CMP			1	1				
1-1	1	1N3330-30291-1	PANEL, CONTROL (C=F010676) (D=F015356)			1	1				N
2	1	26117-060122	BOLT M 6X 12 PLATED	4	4	4	4				
2-1	1	26018-060124	BOLT M 6X 12 (A=F010448) (B=F015114) (C=F010676) (D=F015356)	4	4	4	4				N
3	1	22137-060000	WASHER 6, POLISHED (A=F010448) (B=F015114) (C=F010676) (D=F015356)	8	8	8	8				Z
4	1	26051-060002	NUT M 6 (A=F010448) (B=F015114) (C=F010676) (D=F015356)	4	4	4	4				Z
5	1	1N3310-30290	PANEL ASSY,CONTROL	1	1						
5-1	1	1N3310-30291	PANEL ASSY,CONTROL (A=F010448) (B=F015114)	1	1						N

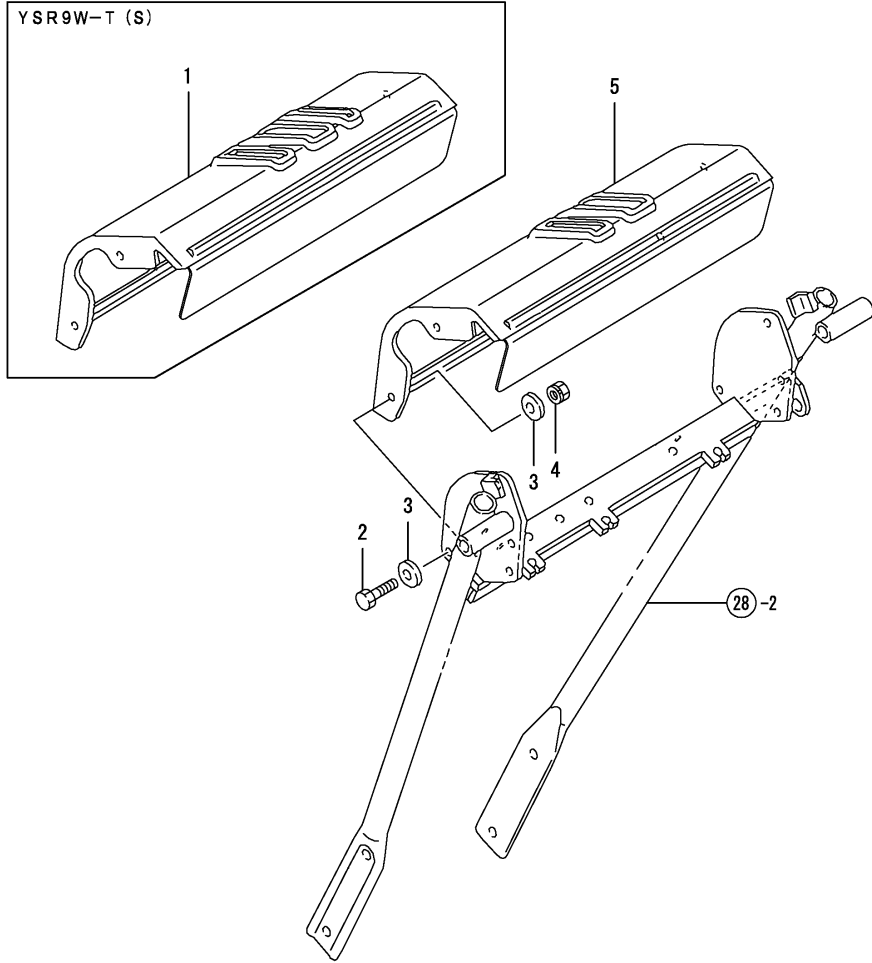
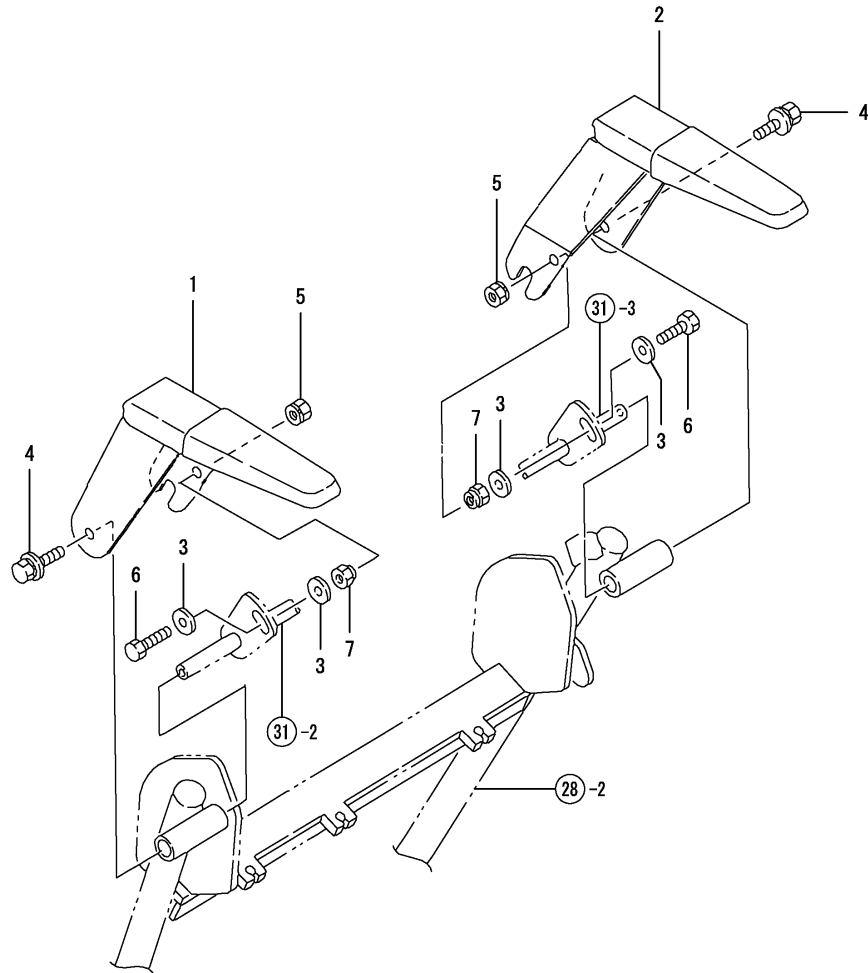


Fig.30. DEAD MAN LEVER

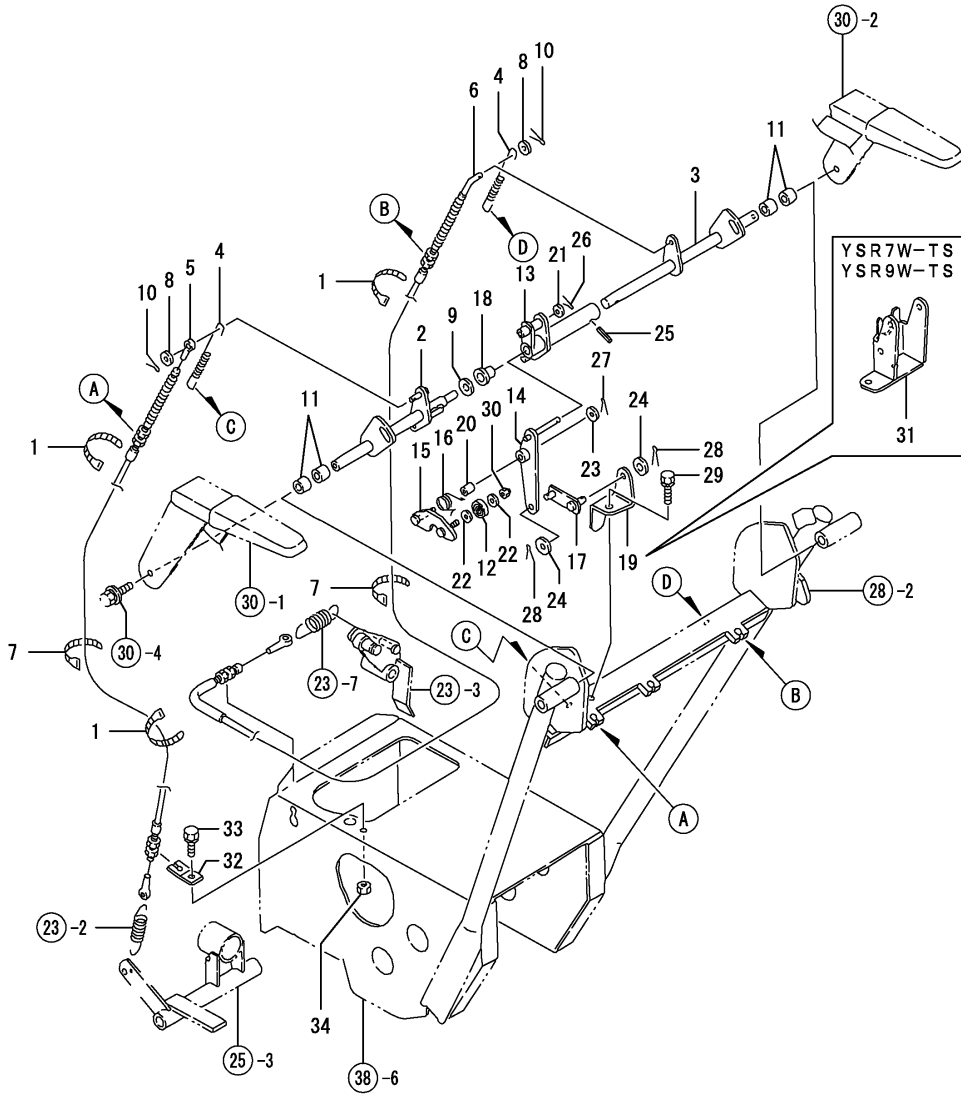
(A)=YSR7W-T
(B)=YSR7W-TS
(C)=YSR9W-T

(D)=YSR9W-TS
(E)=
(F)=



REF.	LEV.	PARTS NO.	DESCRIPTION	QTY						I	R
				(A)	(B)	(C)	(D)	(E)	(F)		
1	1	1N3300-31000	DEADMAN LEVER,TRAVEL	1	1	1	1				
1-1	1	1N3300-31001	LEVER,TRAVEL	1	1	1	1				N
		(A=F010311)	(B=F015089)	(C=F010511)	(D=F015281)						
1-2	1	1N3300-31002	LEVER,TRAVEL	1	1	1	1				N
		(A=F010448)	(B=F015114)	(C=F010676)	(D=F015356)						
2	1	1N3300-31050	D,LEVER,SNOW REMOVG	1	1	1	1				
2-1	1	1N3300-31051	DEADMAN LEVER,SNOW	1	1	1	1				N
		(A=F010448)	(B=F015114)	(C=F010676)	(D=F015356)						
3	1	22137-080000	WASHER 8, POLISHED	4	4	4	4				
4	1	26018-080164	BOLT M 8X 16	2	2	2	2				
5	1	26051-080002	NUT M 8	2	2	2	2				
6	1	26117-080254	BOLT M 8X 25 PLATED	2	2	2	2				
7	1	26347-080002	U-NUT M 8	2	2	2	2				

Fig.31. TRAVEL CLUTCH



(A)=YSR7W-T
(B)=YSR7W-TS
(C)=YSR9W-T

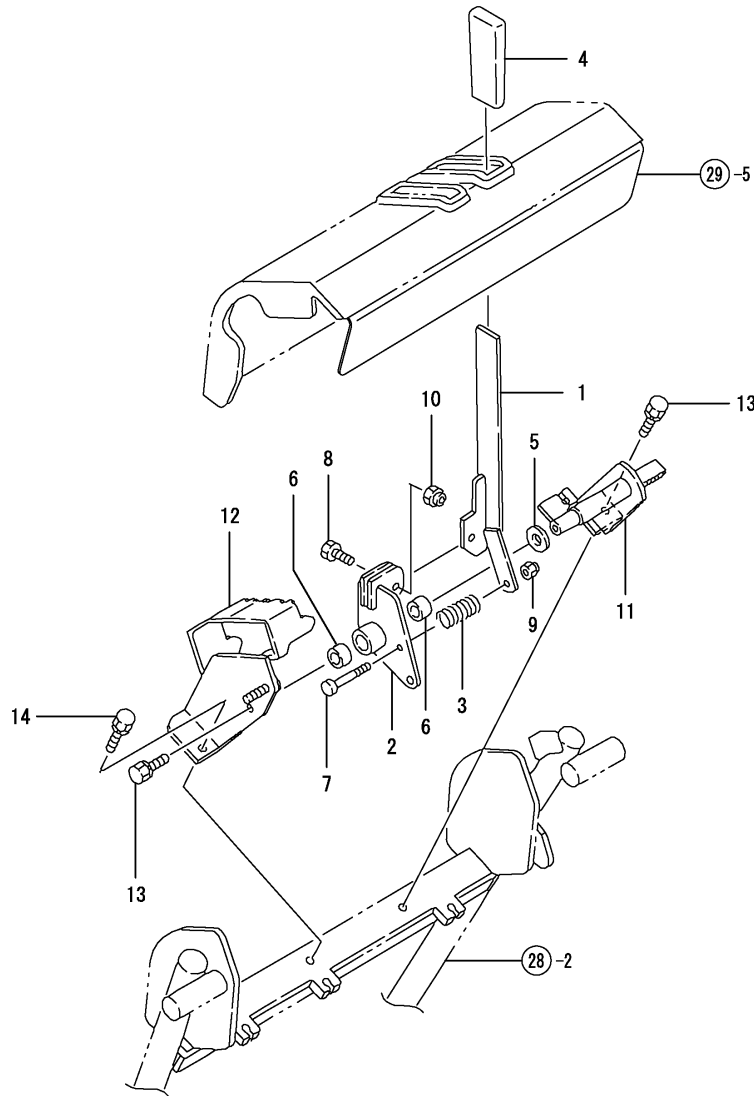
(D)=YSR9W-TS
(E)=
(F)=

REF.	LEV.	PARTS NO.	DESCRIPTION	QTY						I	R
				(A)	(B)	(C)	(D)	(E)	(F)		
1	1	1J3999-07000	BAND 100B	3	3	3	3				
2	1	1N3300-31200	SHAFT,TRAVEL CLUTCH	1	1	1	1				
3	1	1N3300-31300	SHAFT,SNOW RMV.CLTCH	1	1	1	1				
4	1	1N3300-31450	SPRING 9X130	2	2	2	2				
5	1	1N3300-31600	WIRE,TRAVEL CMP	1	1	1	1				
5-1	1	1N3300-31601	WIRE,TRAVEL CMP	1	1	1	1				N
		(A=F010176)	(B=F015049)	(C=F010171)	(D=F015086)						
6	1	1N3300-31650	WIRE,SNOW,REMOVING	1	1	1	1				
6-1	1	1N3300-31651	WIRE,SNOW,REMOVING	1	1	1	1				N
		(A=F010176)	(B=F015049)	(C=F010171)	(D=F015086)						
7	1	1E6102-84970	BAND 140,WIRE LOCK	2	2	2	2				
8	1	22117-060000	WASHER 6	2	2	2	2				
9	1	22117-100000	WASHER 10	1	1	1	1				
10	1	22417-200100	COTTER PIN 2.0X10	2	2	2	2				
11	1	24550-012150	BUSH 12X15	4	4	4	4				
12	1	1J3999-06000	BEARING 626-2NSL	1	1	1	1				
13	1	1N3300-31350	ARMCLUTCH LOCK SHAFT	1	1	1	1				
14	1	1N3300-31400	CATCH,LOCK CLAW	1	1	1	1				
15	1	1N3021-31451	CLAW,CLUTCH LOCK	1	1	1	1				
16	1	1N3021-31480	SPRING,LOCK CLAW	1	1	1	1				
17	1	1N3300-31500	GUIDE,LOCK CLAW	1	1	1	1				
18	1	1N3021-31580	BUSH 10X15,FLANGED	1	1	1	1				
19	1	1N3300-31700	LOCK,CLAW,BOSS(T)	1	1	1	1				
20	1	1C1011-45020	BUSH 6X8X10	1	1	1	1				
21	1	22117-060000	WASHER 6	1	1	1	1				
22	1	22117-060000	WASHER 6	2	2	2	2				
23	1	22117-060000	WASHER 6	1	1	1	1				
24	1	22117-080000	WASHER 8	2	2	2	2				
25	1	22351-050020	SPRING PIN 5X20	1	1	1	1				
26	1	22417-160100	COTTER PIN	1	1	1	1				
27	1	22417-160100	COTTER PIN	1	1	1	1				
28	1	22417-200160	COTTER PIN 2.0X16	2	2	2	2				
29	1	26016-080164	BOLT M 8X 16	1	2	1	2				
30	1	26347-060002	U-NUT M 6	1	1	1	1				
31	1	1N3300-31750	LOCK,CLAW,BOSS(TS)		1		1				
32	1	1N3300-31640	BRACKET,WIRE	1	1	1	1				
33	1	26016-080164	BOLT M 8X 16	1	1	1	1				
34	1	26717-080002	NUT 8	1	1	1	1				

Fig.32. CHANGE LEVER

(A)=YSR7W-T
(B)=YSR7W-TS
(C)=YSR9W-T

(D)=YSR9W-TS
(E)=
(F)=



REF.	LEV.	PARTS NO.	DESCRIPTION	QTY						I	R
				(A)	(B)	(C)	(D)	(E)	(F)		
1	1	1N3300-32000	LEVER,CHANGE	1	1	1	1				
2	1	1N3300-32050	ARM, CHANGE	1	1	1	1				
3	1	1N3300-32250	SPRING 14X40	1	1	1	1				
4	1	194150-47621	KNOB	1	1	1	1				
5	1	22117-120000	WASHER 12	1	1	1	1				
6	1	24550-012100	BUSH 12X10	2	2	2	2				
7	1	26117-060452	BOLT M 6X 45 PLATED	1	1	1	1				
8	1	26117-080202	BOLT M 8X 20 PLATED	1	1	1	1				
9	1	26347-060002	U-NUT M 6	1	1	1	1				
10	1	26347-080002	U-NUT M 8	1	1	1	1				
11	1	1N3300-32100	FULCRUM, LEVER	1	1	1	1				
11-1	1	1N3310-32100	FULCRUM,LEVER 7W	1	1						R
(A=F010448) (B=F015114)											
12	1	1N3300-32400	CATCH,LEVER,FULCRUM	1	1	1	1				
13	1	26016-080164	BOLT M 8X 16	2	2	2	2				
14	1	26016-080164	BOLT M 8X 16	1	1	1	1				

Fig.33. CHANGE ROD

(A)=YSR7W-T
(B)=YSR7W-TS
(C)=YSR9W-T

(D)=YSR9W-TS
(E)=
(F)=

REF.	LEV.	PARTS NO.	DESCRIPTION	Q'TY						I	R
				(A)	(B)	(C)	(D)	(E)	(F)		
1	1	1N3300-32200	ROD,CHANGE LEVER	1	1	1	1				
2	1	1N3300-32300	ARM,SLIDE	1	1	1	1				
3	1	1N3300-32500	GUIDE,ARM,SLIDE	1	1	1	1				
4	1	1N1570-32950	NUT 8	1	1	1	1				
5	1	1E4760-43090	BALL RBL8,LINK	1	1	1	1				
6	1	1E6740-64200	BALL BL8DL, LINK	1	1	1	1				
7	1	26018-060162	BOLT M6X16	2	2	2	2				
8	1	26051-080002	NUT M 8	2	2	2	2				
9	1	26717-080002	NUT 8	1	1	1	1				
10	1	22117-120000	WASHER 12	1	1	1	1				

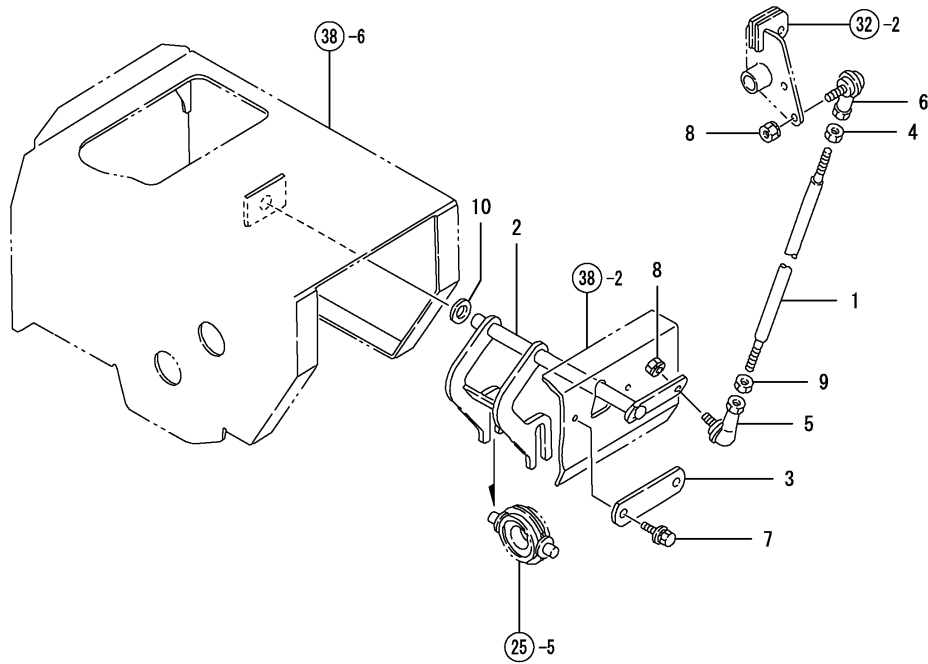


Fig.34. SAFETY DEVICE

0CNP3-G72200 34. SAFETY DEVICE

(A)=YSR7W-T
(B)=YSR7W-TS
(C)=YSR9W-T

(D)=YSR9W-TS
(E)=
(F)=

REF.	LEV.	PARTS NO.	DESCRIPTION	Q'TY						I	R	
				(A)	(B)	(C)	(D)	(E)	(F)			
1	1	1N3300-33200	RETNR.,CLUTCH SWITCH		1		1					
2	1	1N3300-33280	SPRING		1		1					
3	1	22417-200120	COTTER PIN 2.0X12		1		1					
4	1	22487-080500	PIN 8X 50		1		1					

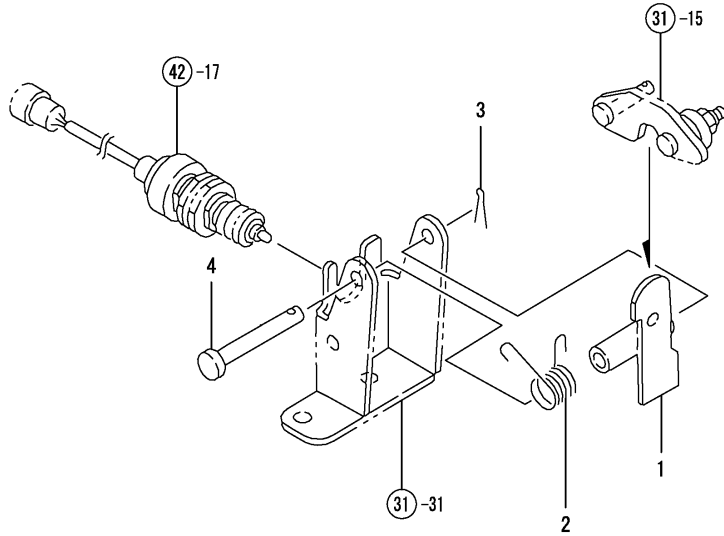
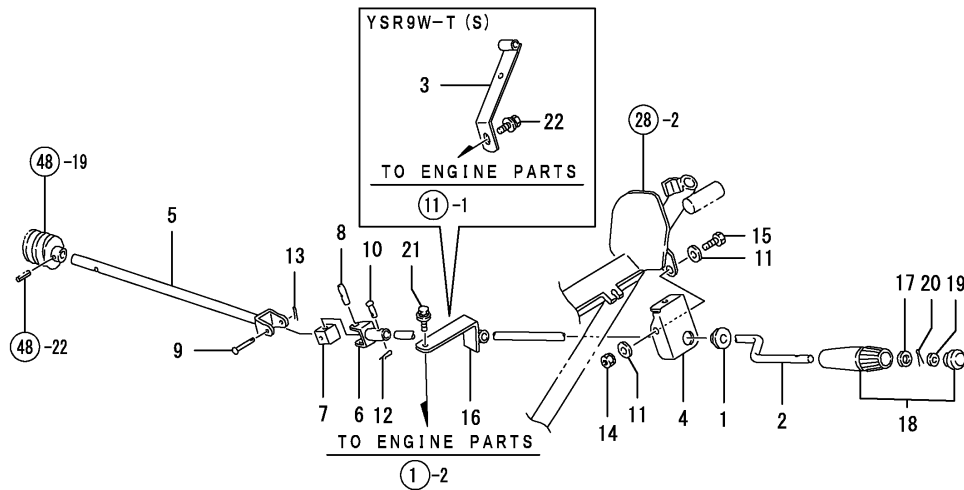


Fig.37. CHUTE HANDLE

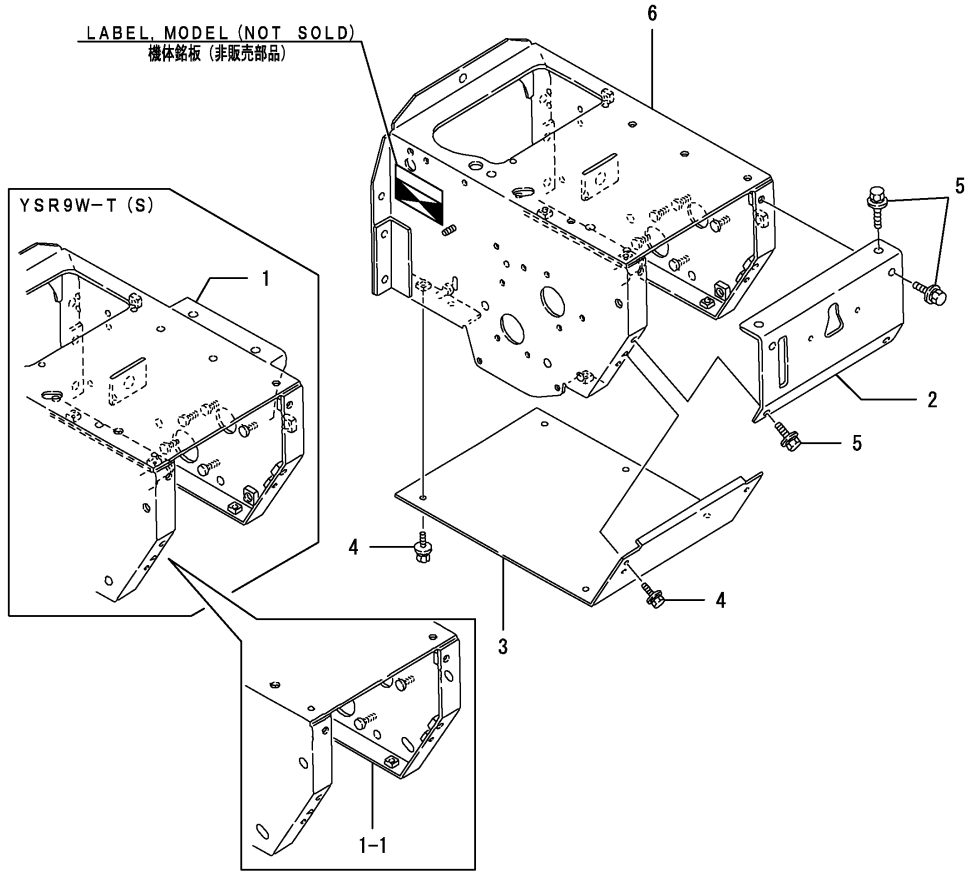
(A)=YSR7W-T
(B)=YSR7W-TS
(C)=YSR9W-T

(D)=YSR9W-TS
(E)=
(F)=



REF.	LEV.	PARTS NO.	DESCRIPTION	QTY						I	R
				(A)	(B)	(C)	(D)	(E)	(F)		
1	1	1N1711-32790	BUSH	1	1	1	1				
2	1	1N3300-34350	HANDLE,SHOOTER	1	1	1	1				
3	1	1N3300-34450	GUIDE,HANDLE			1	1				
4	1	1N3300-34500	CATCH,SHOOTER,HANDLE	1	1	1	1				
4-1	1	1N3300-34501	CATCH,SHOOTER,HANDLE	1	1	1	1				N
		(A=F010176) (B=F015049) (C=F010171) (D=F015086)									
4-2	1	1N3300-34502	SUPPORT,HANDLE	1	1	1	1				N
		(A=F010311) (B=F015089) (C=F010571) (D=F015321)									
4-3	1	1N3300-34503-1	CATCH,SHOOTER HANDLE	1	1	1	1				N
		(A=FX) (B=FX) (C=FX) (D=FX)									
5	1	1N3300-34600	ROD,CONNECTING,SHOOT	1	1	1	1				
6	1	1N3021-34650	CONNECTING JOINT	1	1	1	1				
6-1	1	1N3021-34651	JOINT, CONNECTING	1	1	1	1				N
		(A=F010508) (B=F015124) (C=F010751) (D=F015391)									
7	1	1N3021-34700	JOINT FULCRUM	1	1	1	1				
8	1	1N3021-34710	JOINT FULCRUM,PIN 8	1	1	1	1				
9	1	1N3021-34720	RIVET 4X27.5	1	1	1	1				
10	1	1N3260-73250	RIVET 4X19.5	1	1	1	1				
11	1	22117-080000	WASHER 8	2	2	2	2				Z
		(A=F010311) (B=F015089) (C=F010571) (D=F015321)									
12	1	22372-040000	SNAP PIN 4	1	1	1	1				
13	1	22417-200100	COTTER PIN 2.0X10	1	1	1	1				
14	1	26051-080002	NUT M 8	1	1	1	1				Z
		(A=F010311) (B=F015089) (C=F010571) (D=F015321)									
15	1	26117-080162	BOLT M 8X 16 PLATED	1	1	1	1				
15-1	1	26018-080164	BOLT M 8X 16	1	1	1	1				N
		(A=F010311) (B=F015089) (C=F010571) (D=F015321)									
16	1	1N3310-34450	GUIDE,HANDLE	1	1						
17	1	1N3021-34390	SPACER 10X14X1	1	1	1	1				
18	1	1N1711-35520	GRIP,SHOOT	1	1	1	1				
19	1	22137-060000	WASHER 6, POLISHED	1	1	1	1				
20	1	22417-200160	COTTER PIN 2.0X16	1	1	1	1				
21	1	26018-060124	BOLT M 6X 12	1	1						
22	1	26018-080164	BOLT M 8X 16			1	1				

Fig.38. CHASSIS FRAME



0CNP3-G72200 38. CHASSIS FRAME

(A)=YSR7W-T
(B)=YSR7W-TS
(C)=YSR9W-T

(D)=YSR9W-TS
(E)=
(F)=

REF.	LEV.	PARTS NO.	DESCRIPTION	Q'TY						I	R
				(A)	(B)	(C)	(D)	(E)	(F)		
1	1	1N3300-36000	CHASSIS			1	1				
1-1	1	1N3300-36001	CHASSIS			1	1				S
			(C=F010171) (D=F015086)								
1-2	1	1N3300-36002	CHASSIS			1	1				N
			(C=F010571) (D=F015320)								
2	1	1N3300-36100	REAR,CHASSIS	1	1	1	1				
3	1	1N3300-36200	BOTTOM,CHASSIS	1	1	1	1				
4	1	26018-060124	BOLT M 6X 12	7	7	7	7				
5	1	26018-080164	BOLT M 8X 16	6	6	6	6				
6	1	1N3310-36000	CHASSIS	1	1						
6-1	1	1N3310-36001	CHASSIS	1	1						N
			(A=F010311) (B=F015089)								

Fig.39. BELT & GEAR COVER

(A)=YSR7W-T
(B)=YSR7W-TS
(C)=YSR9W-T

(D)=YSR9W-TS
(E)=
(F)=

REF.	LEV.	PARTS NO.	DESCRIPTION	QTY						I	R
				(A)	(B)	(C)	(D)	(E)	(F)		
1	1	7N3300-37000	PL.ASSY.,BELT COVER	1	1	1	1				
1-1	1	7N3300-37001	PL.ASSY.,BELT COVER	1	1	1	1				
		(A=F010448) (B=F015114) (C=F010676) (D=F015356)									
2	1	26018-060124	BOLT M 6X 12	3	3	3	3				
3	1	1N3300-37100	MBG360501 Y QZ	1	1	1	1				
4	1	26018-060124	BOLT M 6X 12	3	3	3	3				
4-1	1	26018-060122	BOLT M 6X 12	3	3	3	3				N
		(A=F010311) (B=F015089) (C=F010571) (D=F015321)									
5	1	22137-060000	WASHER 6, POLISHED	1	1	1	1				
6	1	26051-060002	NUT M 6	1	1	1	1				

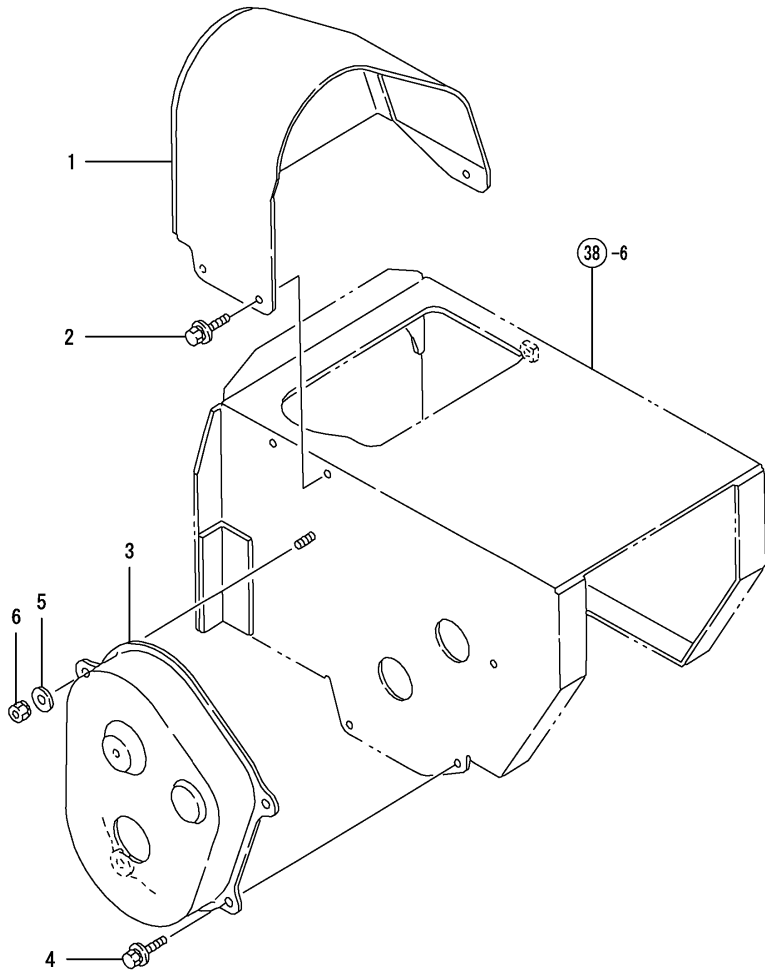
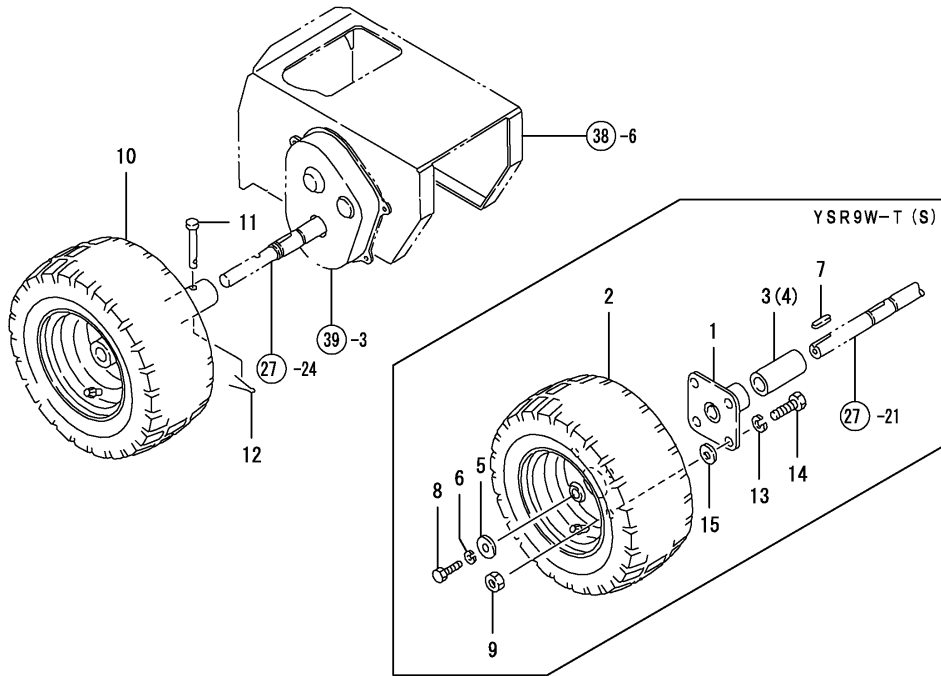


Fig.40. TIRE

(A)=YSR7W-T
(B)=YSR7W-TS
(C)=YSR9W-T

(D)=YSR9W-TS
(E)=
(F)=

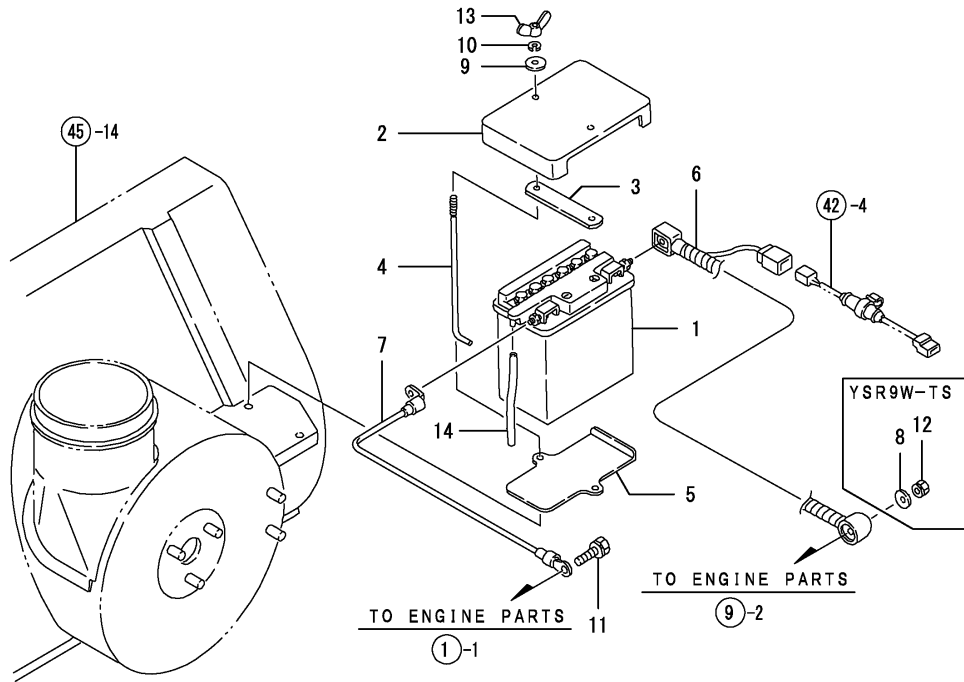


REF.	LEV.	PARTS NO.	DESCRIPTION	QTY						I	R
				(A)	(B)	(C)	(D)	(E)	(F)		
1	1	1N3300-38000	BOSS,HOUNTING,HUB			2	2				
2	1	1N3300-38100	TIRE			2	2				
3	1	1N3300-38200	COLLAR 20X25X62			1	1				
4	1	1N3300-38250	COLLAR (20X25X90			1	1				
5	1	22157-080000	WASHER 8			2	2				
6	1	22217-080000	SPRING WASHER 8			2	2				
7	1	22512-050300	KEY 5X 30			2	2				
8	1	26116-080252	BOLT M 8X 25 PLATED			2	2				
9	1	26717-120002	NUT M12			8	8				
10	1	1N3310-38100	TIRE	2	2						
11	1	1N3021-38101	PIN,AXLE	2	2						
12	1	22417-200100	COTTER PIN 2.0X10	2	2						
13	1	22217-120000	SPRING WASHER 12			8	8				
14	1	26117-120252	BOLT M12X 25 PLATED			8	8				
15	1	22117-120000	WASHER 12			8	8				

Fig.41. BATTERY

(A)=YSR7W-T
(B)=YSR7W-TS
(C)=YSR9W-T

(D)=YSR9W-TS
(E)=
(F)=

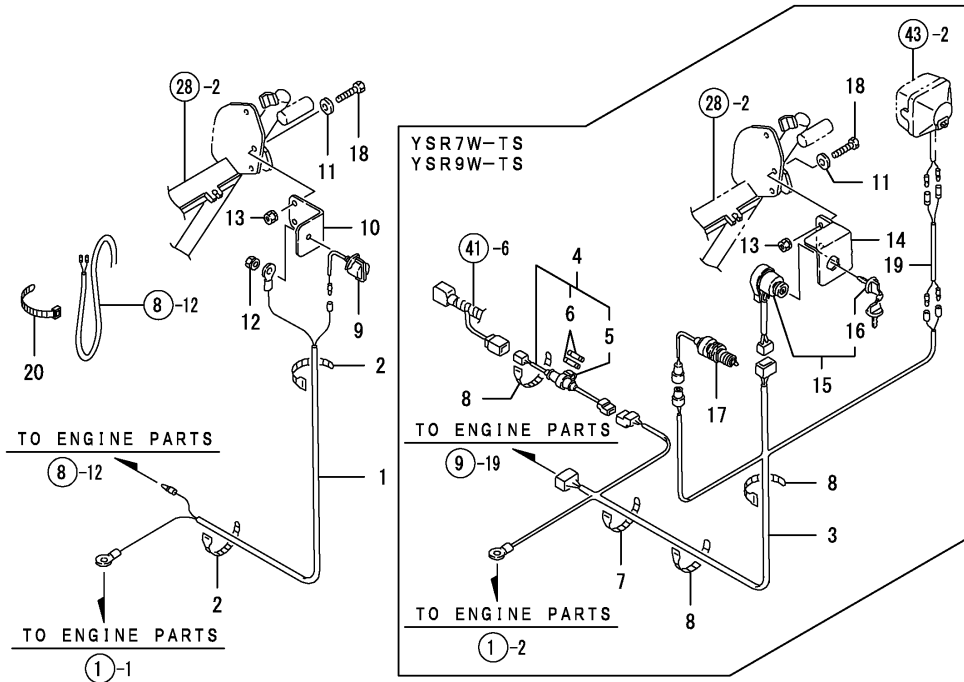


REF.	LEV.	PARTS NO.	DESCRIPTION	QTY						I	R
				(A)	(B)	(C)	(D)	(E)	(F)		
1	1	1N3300-51010	BATTERY YB12AL-A		1		1				
2	1	1N3300-51100	COVER, BATTERY		1		1				
3	1	1N3300-51150	PLATE, BATTERY KEEP		1		1				
4	1	1N3300-51200	BAR, BATTERY RETAINER		2		2				
5	1	1N3300-51250	GUIDE, BATTERY		1		1				
6	1	1N3300-51300	CABLE, BATTERY POSIT.		1		1				
7	1	1N3300-51350	CABLE, BATTERY NEG.		1		1				
8	1	22117-080000	WASHER 8				1				
9	1	22157-060000	WASHER 6				2		2		
10	1	22217-060000	SPRING WASHER 6				2		2		Z
		(B=F015114)									
11	1	26016-080164	BOLT M 8 X 16				1		1		
12	1	26051-080002	NUT M 8						1		
13	1	26635-060002	WING NUT M 6				2		2		
13-1	1	26051-060002	NUT M 6				2		2		N
		(B=F015114)									
14	1	1N1710-51350	PIPE, VINYL				1		1		

Fig.42. HARNESS & SWITCH

(A)=YSR7W-T
(B)=YSR7W-TS
(C)=YSR9W-T

(D)=YSR9W-TS
(E)=
(F)=



REF.	LEV.	PARTS NO.	DESCRIPTION	Q'TY						I	R
				(A)	(B)	(C)	(D)	(E)	(F)		
1	1	1N3300-51400	HARNESS (T	1	1						
2	1	1E6102-84970	BAND 140,WIRE LOCK	2		2					
3	1	1N3300-51500	HARNESS (TS		1		1				
4	1	1N3021-51550	HOLDER ASSY.,FUSE		1		1				
5	2	1N3021-51560	HOLDER, FUSE		1		1				
6	2	29411-200000	FUSE (20A),CARTRIDGE		2		2				
7	1	1E6102-84960	BAND 250,WIRE LOCK		1		1				
8	1	1E6102-84970	BAND 140,WIRE LOCK		3		3				
9	1	1A1470-40900	SWITCH,STOP	1			1				
10	1	1N3300-51450	SEAT, SWITCH	1			1				
10-1	1	1N3300-51451	SEAT,SWICH T	1			1				N
		(A=F010311)	(C=F010571)								
11	1	22137-080000	WASHER 8, POLISHED	2	2	2	2				Z
		(A=F010311)	(B=F015089)	(C=F010571)			(D=F015321)				
12	1	26051-080002	NUT M 8	1			1				
13	1	26051-080002	NUT M 8	2	2	2	2				Z
		(A=F010311)	(B=F015089)	(C=F010571)			(D=F015321)				
14	1	1N3300-51550	SEAT,SWITCH		1		1				
14-1	1	1N3300-51551-1	SEAT,SWITCH TS		1		1				N
		(B=F015089)	(D=F015321)								
14-2	1	1N3300-51552-1			1		1				N
		(B=FXXXXXX)	(D=FXXXXXX)								
15	1	1N3021-52300	SWITCH ASSY.,KEY		1		1				
16	2	160797-77270	KEY, REVERSE		1		1				
17	1	1N3021-52400	SWITCH,SAFETY		1		1				
18	1	26117-080162	BOLT M 8X 16 PLATED		2	2	2	2			
18-1	1	26018-080164	BOLT M 8X 16		2	2	2	2			N
		(A=F010311)	(B=F015089)	(C=F010571)			(D=F015321)				
19	1	1N3300-51480	HARNESS, LAMP				1				W
		(C=F010171)									
20	1	1J3999-07000	BAND 100B		1						

Fig.43. LAMP

(A)=YSR7W-T
(B)=YSR7W-TS
(C)=YSR9W-T

(D)=YSR9W-TS
(E)=
(F)=

REF.	LEV.	PARTS NO.	DESCRIPTION	Q'TY						I	R
				(A)	(B)	(C)	(D)	(E)	(F)		
1	1	1N1711-51390	STAY,HEADLIGHT			1	1				
2	1	1N1711-51850	HEADLIGHT COMPL.			1	1				
3	2	1N1711-51860	LAMP 12V-15W G23			1	1				
4	1	26051-080002	NUT M 8			1	1				
5	1	26117-080162	BOLT M 8X 16 PLATED			1	1				

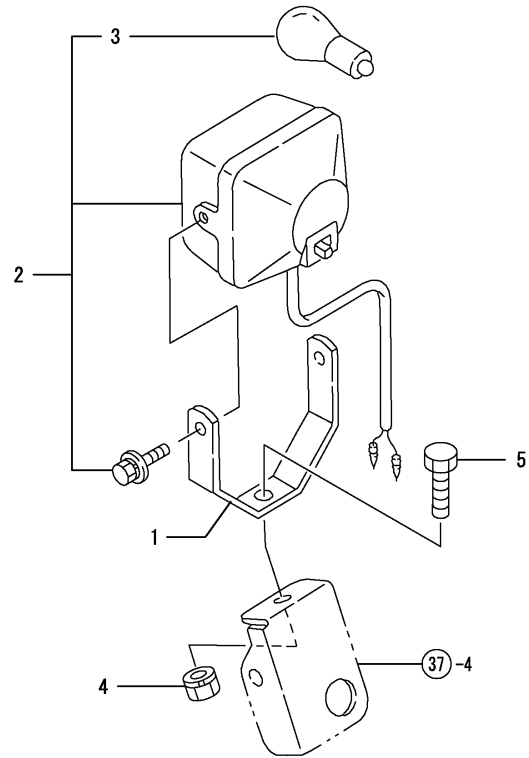
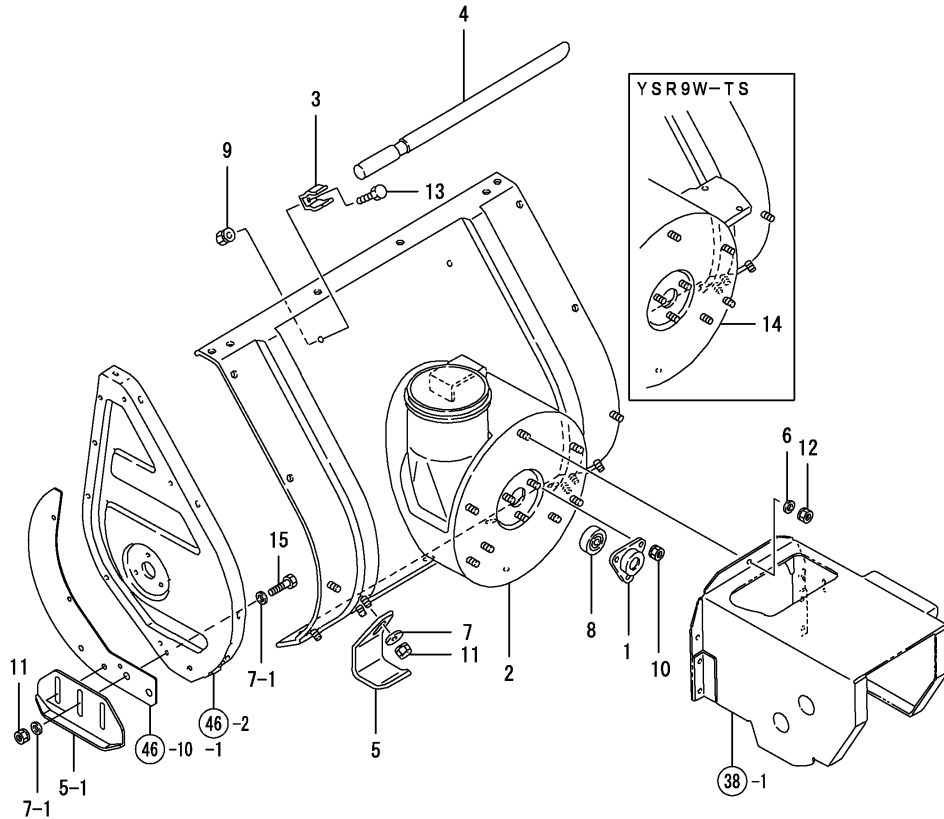


Fig.44. SNOW REMOVING FRAME

(A)=YSR7W-T
(B)=YSR7W-TS
(C)=YSR9W-T

(D)=YSR9W-TS
(E)=
(F)=



REF.	LEV.	PARTS NO.	DESCRIPTION	Q'TY						I	R
				(A)	(B)	(C)	(D)	(E)	(F)		
1	1	1N1570-38210	BEARING 6203B			1	1				
2	1	1N3300-71000	FRAME,SNOW REMOVING			1					
3	1	1N1710-71062	STOPPER			2	2				
4	1	1N1710-71071	ROD,SNOW SHOVELING			1	1				
5	1	1N3300-71400	SHOE			2	2				
5-1	1	1N3300-71401	SHOE			2	2				S
			(C=F010171) (D=F015086)								
6	1	22137-080000	WASHER 8, POLISHED			5	5				
7	1	22137-080000	WASHER 8, POLISHED			4	4				
7-1	1	22137-080000	WASHER 8, POLISHED			8	8				K
			(C=F010171) (D=F015086)								
8	1	24104-062034	BALL BEARING			1	1				
9	1	26051-060002	NUT M 6			2	2				
10	1	26051-080002	NUT M 8			3	3				
11	1	26051-080002	NUT M 8			4	4				
12	1	26051-080002	NUT M 8			5	5				
13	1	26117-060122	BOLT M 6X 12 PLATED			2	2				
14	1	1N3300-71100	FRAME,SNOW REMOVING				1				
15	1	26117-080202	BOLT M 8X 20 PLATED			4	4				W
			(C=F010171) (D=F015086)								

Fig.45. SNOW REMOVING FRAME

(A)=YSR7W-T
(B)=YSR7W-TS
(C)=YSR9W-T

(D)=YSR9W-TS
(E)=
(F)=

REF.	LEV.	PARTS NO.	DESCRIPTION	QTY						I	R
				(A)	(B)	(C)	(D)	(E)	(F)		
1	1	1N1570-38210	BEARING 6203B	1	1						
2	1	1N3310-71000	FRAME,SNOW REMOVEG	1							
3	1	1N1710-71062	STOPPER	2	2						
4	1	1N1710-71071	ROD,SNOW SHOVELING	1	1						
5	1	1N3300-71400	SHOE	2	2						
5-1	1	1N3300-71401	SHOE	2	2						S
		(A=F010176) (B=F015049)									
6	1	22137-080000	WASHER 8, POLISHED	5	5						
7	1	22137-080000	WASHER 8, POLISHED	4	4						
7-1	1	22137-080000	WASHER 8, POLISHED	8	8						K
		(A=F010176) (B=F015049)									
8	1	24104-062034	BALL BEARING	1	1						
9	1	26051-060002	NUT M 6	2	2						
10	1	26051-080002	NUT M 8	3	3						
11	1	26051-080002	NUT M 8	4	4						
12	1	26051-080002	NUT M 8	5	5						
13	1	26117-060122	BOLT M 6X 12 PLATED	2	2						
14	1	1N3310-71100	FRAME,SNOW REMOVEG		1						
15	1	26117-080202	BOLT M 8X 20 PLATED	4	4						W
		(A=F010176) (B=F015049)									

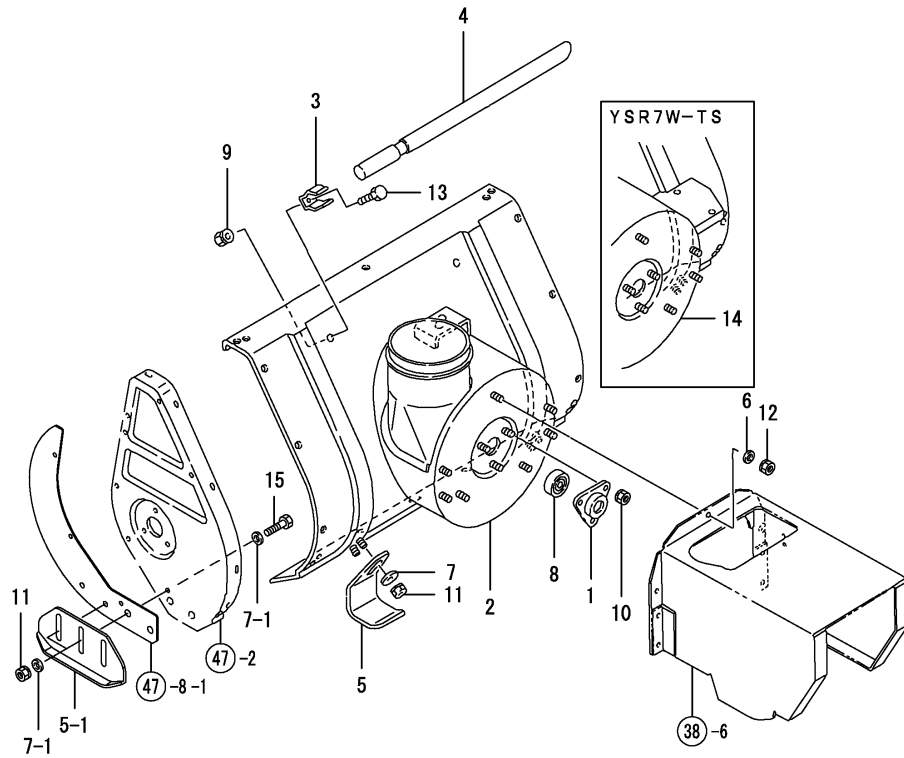
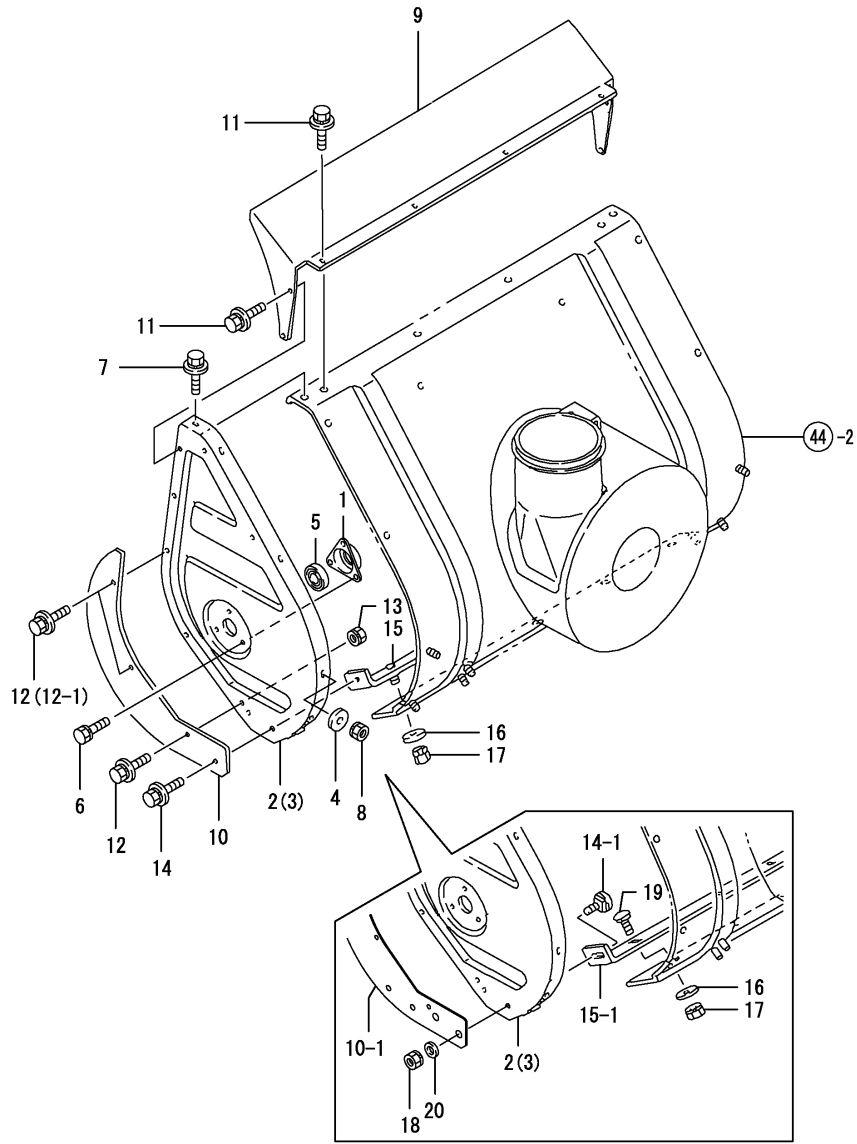


Fig.46. AUGER COVER



(A)=YSR7W-T
(B)=YSR7W-TS
(C)=YSR9W-T

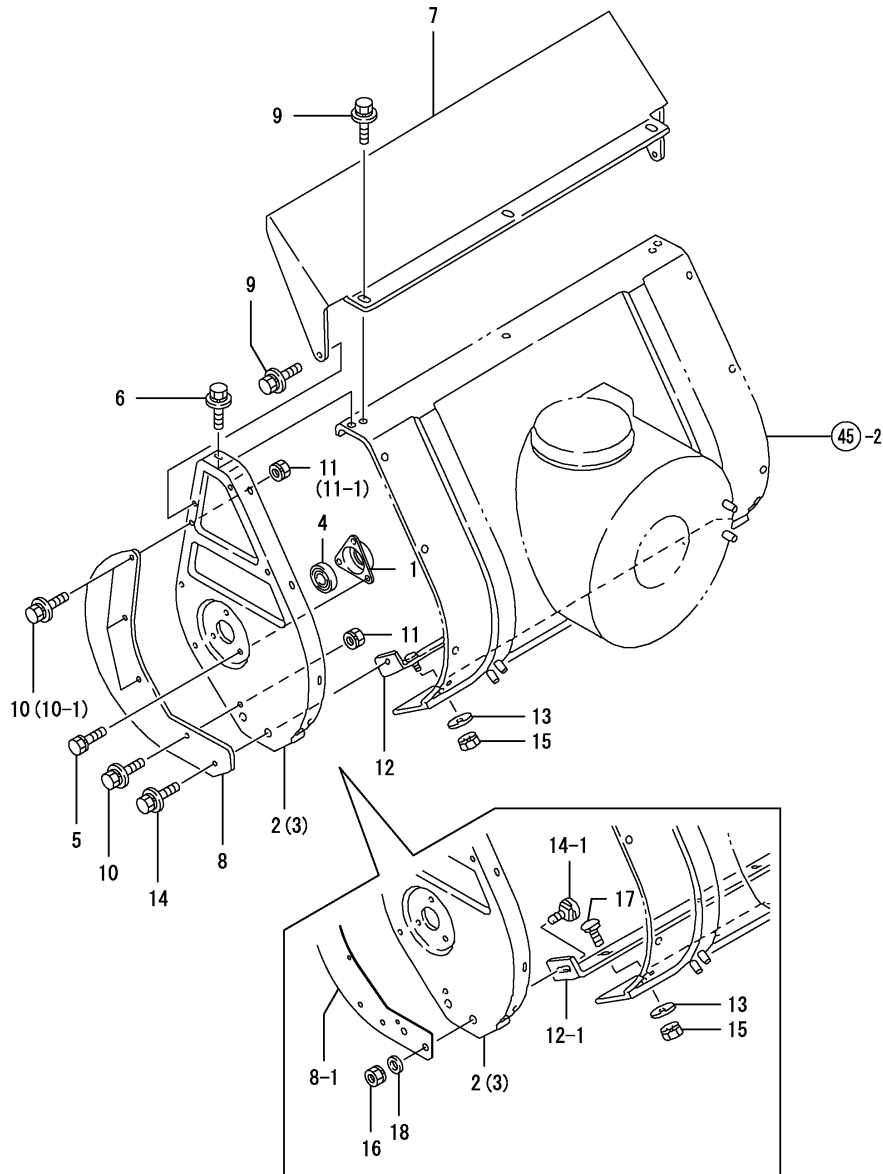
(D)=YSR9W-TS
(E)=
(F)=

REF.	LEV.	PARTS NO.	DESCRIPTION	Q'TY						I	R
				(A)	(B)	(C)	(D)	(E)	(F)		
1	1	1N1570-38200	BEARING 6203C			2	2				
2	1	1N1720-82221	PLATE L CMP,AUGER SD			1	1				
3	1	7N3300-82240	PL.AS.,AUGER SD.PL.R			1	1				
4	1	22137-060000	WASHER 6, POLISHED			4	4				
5	1	24104-062034	BALL BEARING			2	2				
6	1	26016-080164	BOLT M 8X 16			6	6				
7	1	26018-060124	BOLT M 6X 12			6	6				
8	1	26051-060002	NUT M 6			4	4				
9	1	1N3269-71500	COVER 710,AUGER CASE			1	1				
10	1	1N3300-71550	SIDE,COVER,AUGER			2	2				
10-1	1	1N3300-71551	COVER,AUGER SIDE 9W (C=F010171) (D=F015086)			2	2				N
11	1	26018-060124	BOLT M 6X 12			8	8				
12	1	26018-060124	BOLT M 6X 12			6	6				
12-1	1	26018-060124	BOLT M 6X 12 (C=F010171) (D=F015086)			4	4				K
13	1	26051-060002	NUT M 6 (C=F010171) (D=F015086)			2	2				Z
14	1	1J3999-00050	BOLT 6X12 W/PL+SP.WS			2	2				
14-1	1	26487-080252	BOLT 8X25,SQ.ROOT (C=F010171) (D=F015086)			2	2				S
14-2	1	1N3300-71330	BOLT (C=F010171) (D=F015086)			2	2				N
15	1	1N1723-71000	PLATE			1	1				
15-1	1	1N3300-71300	PLATE,BACK. (C=F010171) (D=F015086)			1	1				S
15-2	1	1N3300-71301	PLATE,BOTTOM(710) (C=F010310) (D=F015089)			1	1				N
16	1	22137-060000	WASHER 6, POLISHED			5	5				
17	1	26051-060002	NUT M 6			5	5				
18	1	26051-080002	NUT M 8 (C=F010171) (D=F015086)			2	2				W
19	1	26487-060162	BOLT 6X 16 (C=F010171) (D=F015086)			5	5				W
19-1	1	1N3300-71320	BOLT (C=F010171) (D=F015086)			5	5				N
20	1	22157-080000	WASHER 8 (C=F010171) (D=F015086)			2	2				W

Fig.47. AUGER COVER

(A)=YSR7W-T
(B)=YSR7W-TS
(C)=YSR9W-T

(D)=YSR9W-TS
(E)=
(F)=

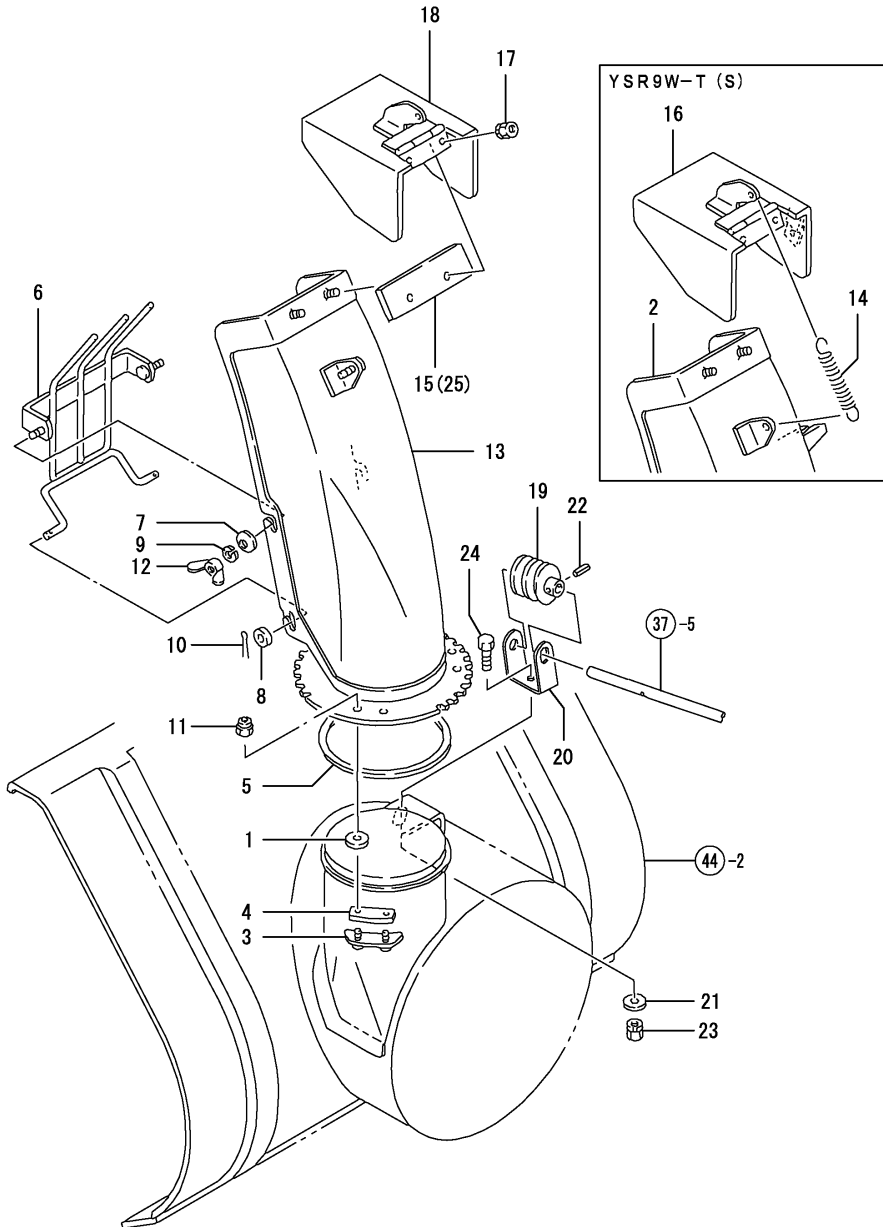


REF.	LEV.	PARTS NO.	DESCRIPTION	QTY						I	R
				(A)	(B)	(C)	(D)	(E)	(F)		
1	1	1N1570-38200	BEARING 6203C	2	2						
2	1	1N3310-71200	PLATE L,AUGER SIDE	1	1						
3	1	7N3310-71250	PL.AS.,AUGER SD.PL.R	1	1						
4	1	24104-062034	BALL BEARING	2	2						
5	1	26016-080164	BOLT M 8X 16	6	6						
6	1	26018-060124	BOLT M 6X 12	12	12						
7	1	1N3310-71500	COVER,AUGER CASE	1	1						
8	1	1N3310-71550	COVER,AUGER SIDE	2	2						
8-1	1	1N3310-71551	COVER, AUGER SIDE 7W	2	2						N
		(A=F010176) (B=F015049)									
9	1	26018-060124	BOLT M 6X 12	5	5						
10	1	26018-060124	BOLT M 6X 12	8	8						
10-1	1	26018-060124	BOLT M 6X 12	6	6						K
		(A=F010176) (B=F015049)									
11	1	26051-060002	NUT M 6	4	4						
11-1	1	26051-060002	NUT M 6	2	2						K
		(A=F010176) (B=F015049)									
12	1	1N1711-71500	PLATE,BOTTOM	1	1						
12-1	1	1N3310-71300	PLATE,BOTTOM 650	1	1						S
		(A=F010176) (B=F015049)									
12-2	1	1N3310-71301	PLATE,BOTTOM(650	1	1						N
		(A=F010571) (B=F015321)									
13	1	22137-060000	WASHER 6, POLISHED	5	5						
14	1	1J3999-00050	BOLT 6X12 W/PL+SP.WS	2	2						
14-1	1	26487-080252	BOLT 8X25,SQ.ROOT	2	2						S
		(A=F010176) (B=F015049)									
14-2	1	1N3300-71330	BOLT	2	2						N
		(A=F010176) (B=F015049)									
15	1	26051-060002	NUT M 6	5	5						
16	1	26051-080002	NUT M 8	2	2						W
		(A=F010176) (B=F015049)									
17	1	26487-060162	BOLT 6X 16	5	5						W
		(A=F010176) (B=F015049)									
17-1	1	1N3300-71320	BOLT	5	5						N
		(A=F010176) (B=F015049)									
18	1	22157-080000	WASHER 8	2	2						W
		(A=F010176) (B=F015049)									

Fig.48. CHUTE

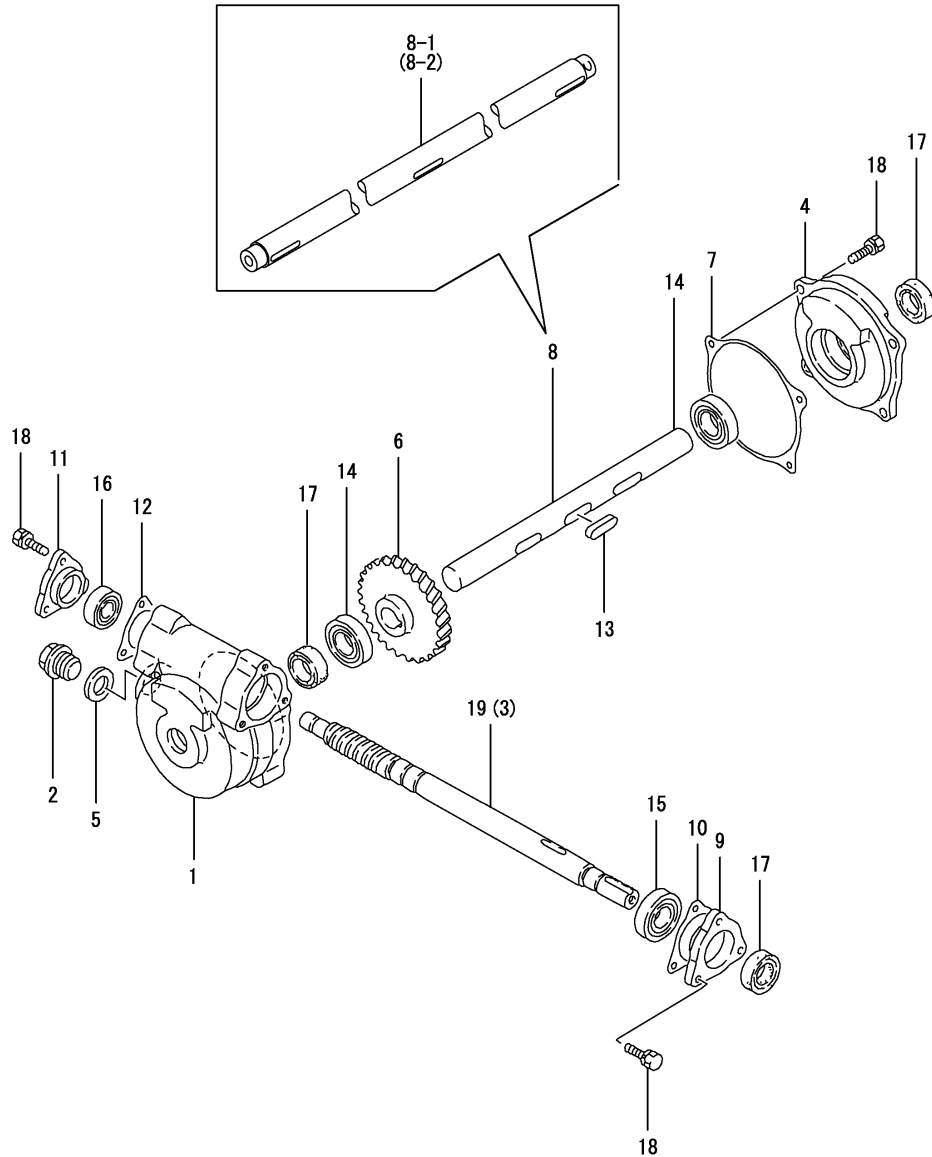
(A)=YSR7W-T
(B)=YSR7W-TS
(C)=YSR9W-T

(D)=YSR9W-TS
(E)=
(F)=



REF.	LEV.	PARTS NO.	DESCRIPTION	QTY						I	R
				(A)	(B)	(C)	(D)	(E)	(F)		
1	1	1J3999-02160	WASHER	6	6	6	6				
2	1	7N3300-73000	PL.ASSY.,SHOOT.9W					1	1		
3	1	1N3021-73201	FIXTURE A,SHOOTER	3	3	3	3				
4	1	1N1711-73240	SPACER	3	3	3	3				
5	1	1N1711-73280	PLATE,FLOOR	1	1	1	1				
6	1	1N1960-73502	GUARD	1	1	1	1				
7	1	1N1711-73700	WASHER 6,CONICAL SPR	2	2	2	2				
7-1	1	22157-060000	WASHER 6	2	2	2	2				N
		(A=F010508) (B=F015124) (C=F010676) (D=F015356)									
8	1	22137-060000	WASHER 6, POLISHED	2	2	2	2				
9	1	22217-060000	SPRING WASHER 6	2	2	2	2				Z
		(A=F010508) (B=F015124) (C=F010676) (D=F015356)									
10	1	22417-200120	COTTER PIN 2.0X12	2	2	2	2				
11	1	26347-060002	U-NUT M 6	6	6	6	6				
12	1	26635-060002	WING NUT M 6	2	2	2	2				
12-1	1	26051-060002	NUT M 6	2	2	2	2				N
		(A=F010508) (B=F015124) (C=F010676) (D=F015356)									
13	1	7N3310-73000	PL.ASSY.,SHOOT.7W	1	1						
14	1	1N1570-73150	SPRING,CHUTE				1	1			
15	1	1N1711-73170	RUBBER,SNOW PROTECT.	1	1	1	1				Z
		(A=FXXXXXXX) (B=FXXXXXXX) (C=FXXXXXXX) (D=FXXXXXXX)									
16	1	1N3300-73200	DEFLECTOR SHOOTER					1	1		
16-1	1	1N3300-73201	SHOOTER DEFLECTOR					1	1		N
		(C=FXXXXXXX) (D=FXXXXXXX)									
16-2	1	1N3300-73202	DEFLECTOR, CHUTE 9W					1	1		N
		(C=F010676) (D=F015356)									
17	1	26051-060002	NUT M 6	2	2	2	2				
18	1	1N3310-73200	DEFLECTOR SHOOTER	1	1						
18-1	1	1N3310-73201	DEFLECTOR,CHUTE 7W	1	1						N
		(A=FXXXXXXX) (B=FXXXXXXX)									
18-2	1	1N3310-73202	DEFLECTOR,CHUTE 7W	1	1						N
		(A=F010448) (B=F015114)									
19	1	1N3300-73300	WORM	1	1	1	1				
20	1	1N3300-73350	BEARING,WORM	1	1	1	1				
21	1	22137-080000	WASHER 8, POLISHED	1	1	1	1				
22	1	22351-060020	SPRING PIN 6X20	1	1	1	1				
23	1	26051-080002	NUT M 8	1	1	1	1				
24	1	26117-080162	BOLT M 8X 16 PLATED	1	1	1	1				
25	1	1N1711-73170	RUBBER,SNOW PROTECT.	1	1	1	1				W
		(A=F010448) (B=F015114) (C=F010676) (D=F015356)									

Fig.49. GEAR CASE



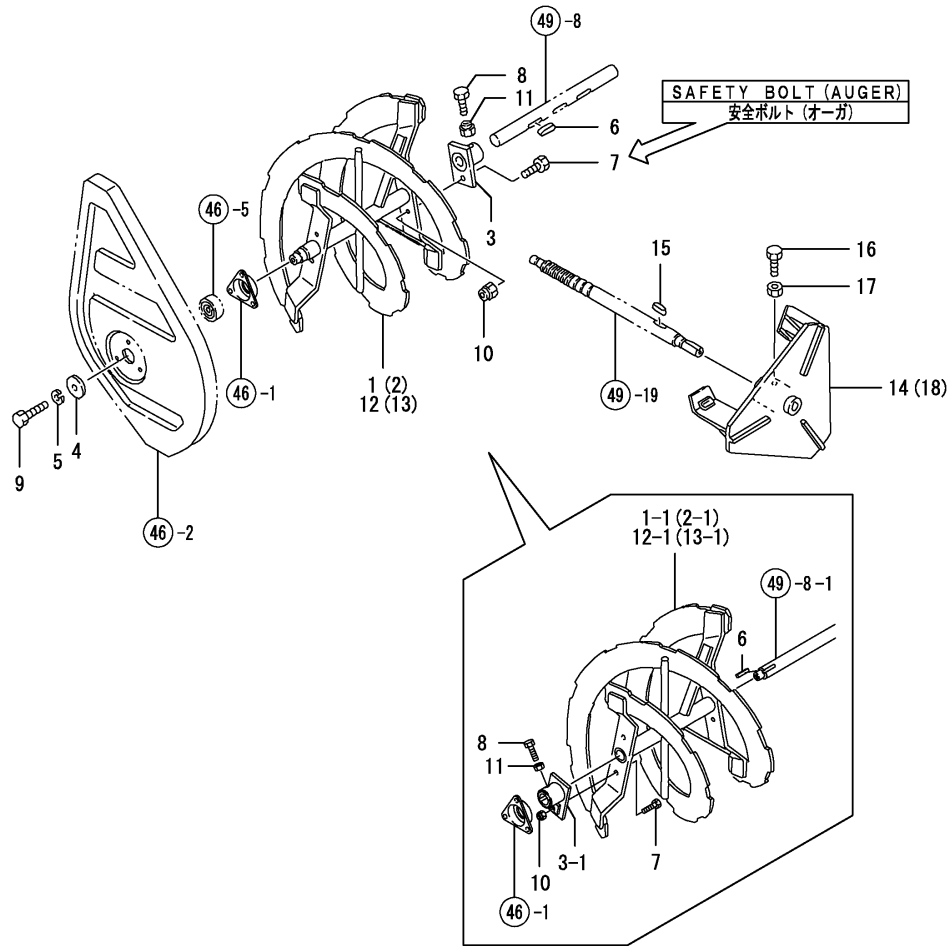
0CNP3-G72200 49. GEAR CASE

(A)=YSR7W-T
(B)=YSR7W-TS
(C)=YSR9W-T

(D)=YSR9W-TS
(E)=
(F)=

REF.	LEV.	PARTS NO.	DESCRIPTION	Q'TY						I	R
				(A)	(B)	(C)	(D)	(E)	(F)		
1	1	1N1710-74002	CASE,GEAR	1	1	1	1				
2	1	1N1711-74000	BOLT,DRAIN	1	1	1	1				
3	1	1N1721-74001	SHAFT,WORM			1	1				
4	1	1N1710-74012	COVER C,SNAP-IN	1	1	1	1				
5	1	1N1711-74010	PACKING 20X28X2,CU	1	1	1	1				
6	1	1N1710-74021	WHEEL,WORM	1	1	1	1				
7	1	1N1570-74050	PACKING C	1	1	1	1				
8	1	1N3300-74060	SHAFT,AUGER	1	1	1	1				
8-1	1	1N1720-74000	SHAFT,AUGER	1	1						S
8-2	1	1N1723-74000	SHAFT,AUGER (A=F010311) (B=F015089) (C=F010571) (D=F015321)					1	1		S
9	1	1N1570-74110	COVER A,KEEP	1	1	1	1				
10	1	1N1570-74120	PACKING A	1	1	1	1				
11	1	1N1570-74130	COVER B,KEEP	1	1	1	1				
12	1	1N1570-74140	PACKING B	1	1	1	1				
13	1	22512-050300	KEY 5X 30	1	1	1	1				
14	1	24101-060044	BALL BEARING #6004	2	2	2	2				
15	1	24107-060044	BALL BEARING	1	1	1	1				
16	1	24107-062024	BALL BEARING	1	1	1	1				
17	1	24421-203508	SEAL, OIL	3	3	3	3				
18	1	26016-060202	BOLT M 6X 20	10	10	10	10				
18-1	1	26016-060204	BOLT M 6X 20 (C=F010571) (D=F015321)			10	10				N
19	1	1N1570-74101	SHAFT,WORM	1	1						

Fig.50. AUGER & BLOWER

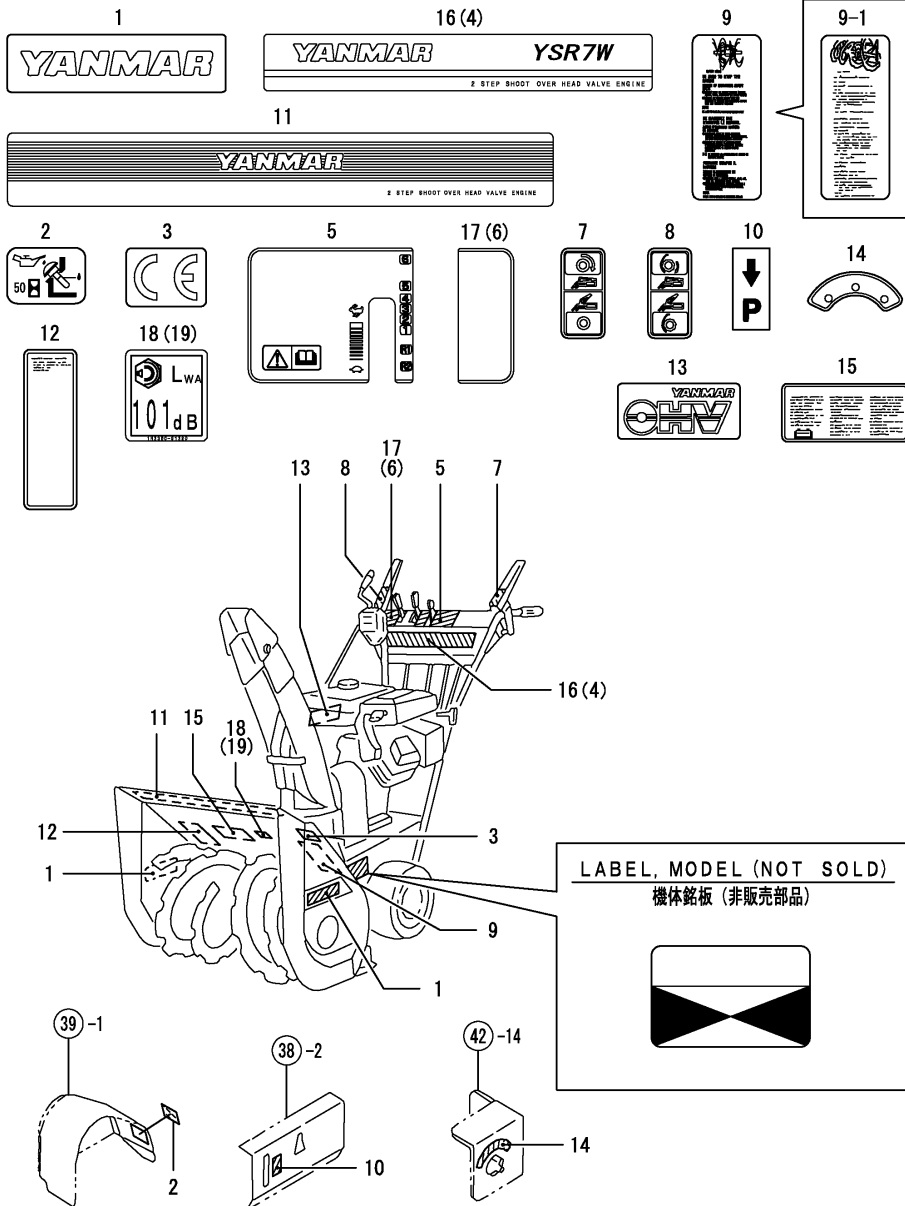


(A)=YSR7W-T
(B)=YSR7W-TS
(C)=YSR9W-T

(D)=YSR9W-TS
(E)=
(F)=

REF.	LEV.	PARTS NO.	DESCRIPTION	QTY						I	R
				(A)	(B)	(C)	(D)	(E)	(F)		
1	1	1N3300-75000	AUGER L			1	1				
1-1	1	1N3300-75001	AUGER,L 9W (C=F010571) (D=F015321)			1	1				S
2	1	1N3300-75100	AUGER R			1	1				
2-1	1	1N3300-75101	AUGER,R 9W (C=F010571) (D=F015321)			1	1				S
3	1	1N3300-75200	FLANGE,AUGER		2	2	2	2			
3-1	1	1N3330-75200	FLANGE,AUGER (A=F010311) (B=F015089) (C=F010571) (D=F015321)		2	2	2	2			S
4	1	22157-080000	WASHER 8		2	2	2	2			
5	1	22217-080000	SPRING WASHER 8		2	2	2	2			
6	1	22512-050300	KEY 5X 30		2	2	2	2			
7	1	26116-060202	BOLT M 6X 20		2	2	2	2			
8	1	26116-080162	BOLT 8X16		2	2	2	2			
9	1	26116-080252	BOLT M 8X 25 PLATED		2	2	2	2			
10	1	26347-060002	U-NUT M 6		2	2	2	2			
11	1	26717-080002	NUT 8		2	2	2	2			
12	1	1N3310-75000	AUGER L		1	1					
12-1	1	1N3330-75000	AUGER L (A=F010311) (B=F015089)		1	1					S
13	1	1N3310-75100	AUGER R		1	1					
13-1	1	1N3330-75100	AUGER R (A=F010311) (B=F015089)		1	1					S
14	1	1N1711-76001	BLOWER COMPL.		1	1					
15	1	22512-050300	KEY 5X 30		1	1	1	1			
16	1	26116-080202	BOLT M 8X 20 PLATED		1	1	1	1			
17	1	26717-080002	NUT 8		1	1	1	1			
18	1	1N1721-76001	BLOWER ASSY			1	1				

Fig.51. LABELS



(A)=YSR7W-T
(B)=YSR7W-TS
(C)=YSR9W-T

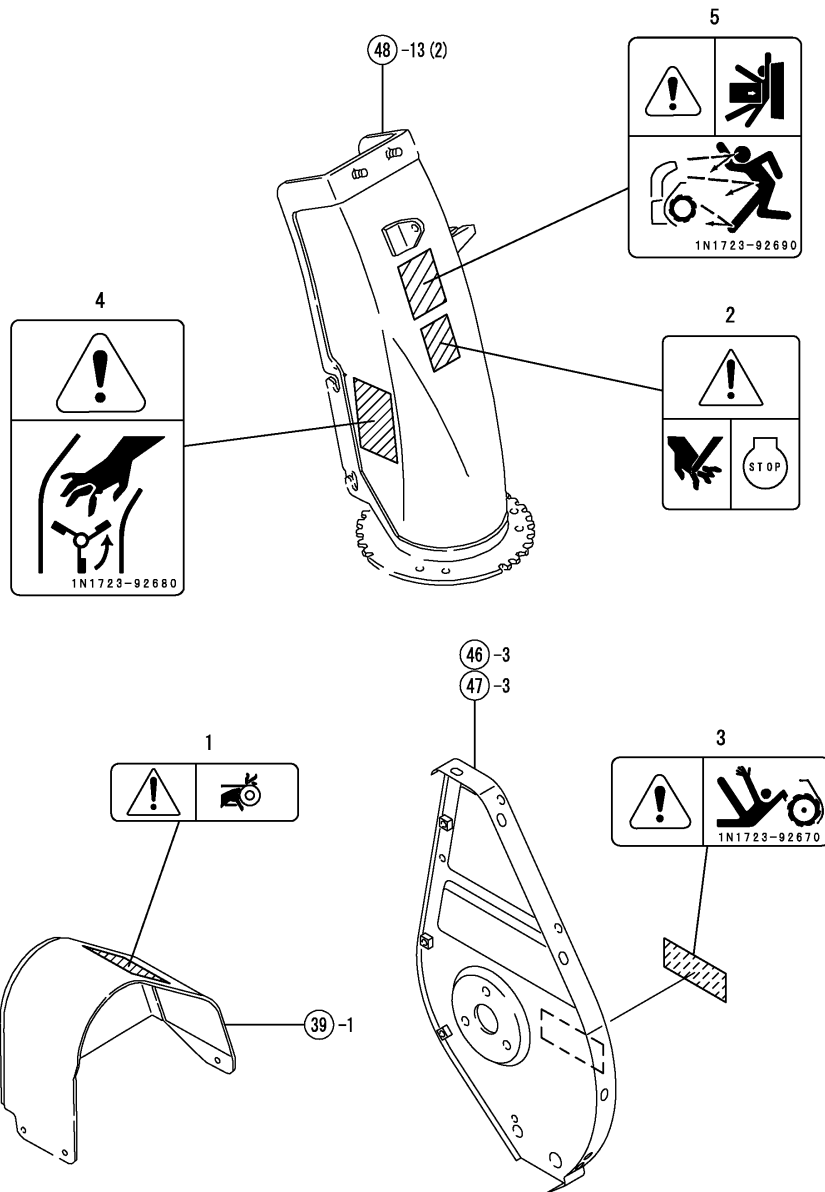
(D)=YSR9W-TS
(E)=
(F)=

REF.	LEV.	PARTS NO.	DESCRIPTION	QTY						I	R
				(A)	(B)	(C)	(D)	(E)	(F)		
1	1	1N1711-68190	MARK C YANMAR	2	2	2	2				
2	1	1N1711-68220	MARK,OIL CHECK	1	1	1	1				
3	1	1E1061-86610	MARK CE	1	1	1	1				Z
4	1	1N3300-91050	MARK,MODEL 9W				1	1			
5	1	1N3300-91070	LABEL 1,CONTROL	1	1	1	1				
6	1	1N3300-91080	LABEL 2,CONTROL				1	1			
7	1	1N3300-91100	MARK,SIDE CLUTCH	1	1	1	1	1			
8	1	1N3021-91110	MARK,SNOW REM.CLUTCH	1	1	1	1	1			
9	1	1N3300-91200	LABEL,BOLT REPLACE	1	1	1	1				
9-1	1	1N1723-92550	LEBEL,BOLT REPLACEM	1	1	1	1				S
10	1	1N3021-91260	MARK,PARKING BRAKE	1	1	1	1				
11	1	1N1723-92530	MARK YANMAR	1	1	1	1				
12	1	1N1713-92570	LABEL CAUTION	1	1	1	1				
13	1	1N1313-93120	MARK OHV	1	1	1	1				
14	1	1N3021-91090	MARK,SWITCH				1	1			
15	1	1N1723-92631	LABEL,BATTERY CAUTN				1	1			
16	1	1N3310-91050	MARK,MODEL 7W	1	1						
17	1	1N3310-91080	LABEL 2,CONTROL	1	1						
18	1	1N3360-91320	LABEL,SOUND LABEL	1	1						W
19	1	1N3300-91300	MARK, SOUND LEVEL				1	1			W

Fig.52. LABELS(SAFETY)

(A)=YSR7W-T
(B)=YSR7W-TS
(C)=YSR9W-T

(D)=YSR9W-TS
(E)=
(F)=

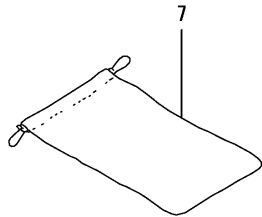
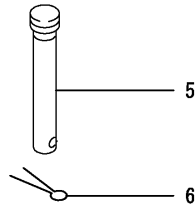
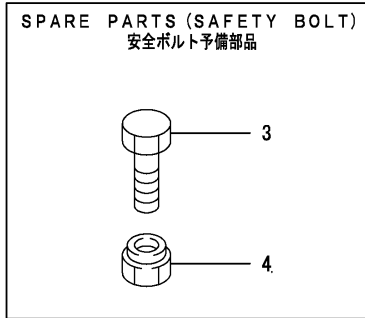
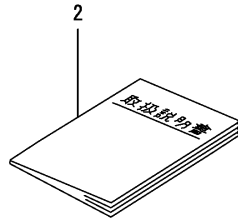
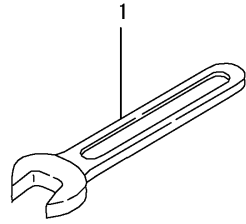


REF.	LEV.	PARTS NO.	DESCRIPTION	Q'TY						I	R
				(A)	(B)	(C)	(D)	(E)	(F)		
1	1	1W4909-92310	CAUTION,BELT,COVWR	1	1	1	1				
2	1	1W4909-92360	CAUTION,ENGINE,STOP	1	1	1	1				
3	1	1N1723-92670	DANGER,SNW.REMV.UNIT	1	1	1	1				
4	1	1N1723-92680	WARNING,SHOOTER	1	1	1	1				
5	1	1N1723-92690	WARNING,SCATTERINGS	1	1	1	1				

Fig.53. TOOLS & ACCESSORIES

(A)=YSR7W-T
(B)=YSR7W-TS
(C)=YSR9W-T

(D)=YSR9W-TS
(E)=
(F)=



REF.	LEV.	PARTS NO.	DESCRIPTION	Q'TY						I	R
				(A)	(B)	(C)	(D)	(E)	(F)		
1	1	28110-100000	WRENCH	1	1	1	1				
2	1	1N3300-96100	OPERATORS MANUAL	1	1	1	1				
3	1	26116-060202	BOLT M 6X 20	10	10	10	10				
4	1	26347-060002	U-NUT M 6	10	10	10	10				
5	1	1N3021-38101	PIN,AXLE	2	2						
6	1	22417-200120	COTTER PIN 2.0X12	2	2						
7	1	1F1150-92000	BAG,TOOL	1	1	1	1				

Part Number Index

All parts are stipulated in the order of part numbers.

(Depending on the area in which the part is used.)

This index will display the location of the part according to each part number.

PARTS No. INDEX

PARTS No.	Fig.	Ref.No.
104200-59170	1	10
	11	8
106990-44660	5	24
	15	20
114250-14400	4	11
	14	12
114250-45310	5	1
	15	1
114252-13800	3	15
	13	14
114252-13910	3	16
	13	15
114252-13950	3	19
	13	11 -1
		17
		21
114252-13960	3	17
	13	16
114270-01600	1	8
	11	9
114299-01760	1	20
114299-01950	1	22
114371-77110	19	2
114371-77130	19	5
114371-77140	19	6
114371-77160	19	7
114371-77170	19	13
114371-77180	19	14
114371-79040	19	8
114371-79050	19	10
114371-79060	19	9
114371-79070	19	17
114770-61600	7	11
	17	33
119520-03990	5	27 -1
	15	23 -1
124060-77680	5	27
	15	23
124195-77770	19	16
124298-77020	19	15
129900-26250	11	11 -1
		16 -1
		18 -1
160110-02220	11	10
		17
160110-92710	10	10
	20	3
160120-56721	16	17
160120-76940	7	9
	17	10

PARTS No.	Fig.	Ref.No.
160120-92700	10	9
	20	2
160210-56610	16	13
160260-76620	18	11
160310-14550	4	32
	14	37
160310-56980	6	14
160310-56990	6	15
160341-01950	9	1
160393-55050	5	11
	15	6
160490-14200	4	10
160520-66291	7	19
	17	22
160590-21210	4	18
160590-56670	6	21
160590-56740	6	6
160610-01690	1	9
	11	7
160610-03050	12	20
160610-04201	2	23
160610-04570	3	1
160610-04910	4	13
160610-55100	5	12
	15	7
160610-56151	3	6
	6	34
160610-56610	6	19
160610-56611	6	23
160610-56630	6	12
	16	21
160610-56900	6	25
	16	27
160611-04350	8	19
	18	39
160641-76570	18	8
160664-66220	7	21
	17	24
160667-56740	16	9
160667-56750	6	27
	16	8
160670-66350	7	22
	17	25
160690-02220	1	11
		16
160690-03050	2	1
160690-07260	10	6
	20	10
160690-07400	10	7
	20	11

PARTS No.	Fig.	Ref.No.
160690-11010	2	4
160690-11100	2	9
160690-11110	2	10
160690-11120	2	11
160690-11180	2	12
160690-11200	2	13
160690-11221	2	14
	12	12
160690-11271	2	15
160690-11280	2	16
	12	14
160690-11290	2	17
160690-11300	2	19
160690-11310	2	20
160690-11311	2	20 -1
160690-13200	3	9
160690-13500	3	12
160690-13550	3	10
160690-13700	3	22
160690-13900	3	18
160690-13911	3	23
160690-14051	4	1
160690-14571	4	9
160690-21201	4	17
160690-22300	4	27
160690-55140	5	15
	15	19
160690-55461	5	14
	15	16
160690-55462	15	16 -1
160690-56160	6	35
160690-56560	16	3
160690-56570	16	5
160690-61301	7	2
	17	2
160690-61311	7	3
	17	3
160690-61450	7	4
	17	4
160690-61600	7	5
	17	5
160690-66011	7	12
160690-66180	7	26
160690-66200	7	29
	17	31
160690-66210	7	30
	17	32
160690-76561	8	33 -1
160690-76591	8	40
160690-78230	8	7

PARTS No.	Fig.	Ref.No.
160690-78230	8	12
		48
	18	21
		25
160690-78532	8	6
		11
160690-78533	8	6 -1
		11 -1
160691-77020	9	2
160691-77300	9	17
160691-77490	9	19
160691-78170	8	5
160691-78171	8	5 -1
160692-56560	6	36
160692-56700	6	33
160692-56710	6	7
	16	29
160692-56770	6	29
160692-56800	6	30
160692-66051	17	13
160692-66063	7	14
160693-78511	8	10
160698-01330	2	3
160698-12510	3	2
160698-12540	3	4
160698-13560	3	13
160698-13620	3	11
160698-22010	4	21
160698-22020	4	21 -1
160698-45110	8	20
160698-45120	8	21
160698-45210	8	22
160698-56100	6	1
160698-56530	6	5
160698-56550	6	13
160698-56590	6	31
160698-56600	6	2
160698-56650	6	16
160698-56800	6	24
160698-66100	7	13
160698-66110	7	15
160698-66140	7	16
160698-76060	8	27
160698-76260	8	28
160698-76510	8	29
160698-76520	8	30
160698-76530	8	31
160698-76540	8	32
160698-76550	8	33
160698-76560	8	34

PARTS No. INDEX

PARTS No.	Fig.	Ref.No.
160698-76570	8	35
160698-76580	8	36
160698-76660	8	38
160698-76670	8	39
160698-78503	8	4
160698-78512	8	3
160699-01331	2	3 -1
160699-45010	8	1
160699-45200	8	25
160700-78040	8	44
	18	16
160700-78050	8	45
	18	17
160700-78720	8	46
	18	31
160702-56720	6	28
	16	25
160708-76900	8	42
160708-77350	9	26
	19	19
160708-92610	10	8
	20	1
160710-55061	5	4
	15	4
160710-55360	5	18
	15	13
160710-55370	5	19
	15	14
160710-55382	5	17
	15	12
160710-78710	5	28
	8	14
	15	17
	18	30
160725-77380	9	18
160762-55150	5	13
	15	8
160763-12600	3	5
	13	4
160769-56620	6	11
160769-56640	6	20
160769-56660	6	22
160769-59370	15	22
160769-59371	15	22 -1
160790-04600	13	20
160790-11011	12	1
160790-11100	12	7
160790-11101	12	7 -1
160790-11110	12	8
160790-11111	12	8 -1

PARTS No.	Fig.	Ref.No.
160790-28010	14	34
160790-56151	16	31
160790-56160	16	33
160790-56570	16	2
160790-56600	16	24
160790-56610	16	18
160790-66010	17	11
160790-76590	18	12
160790-78500	18	19
160791-77490	19	20
160791-78510	18	29
160791-78522	18	20
		24
160791-78750	18	27
160791-78751	18	27 -1
160792-56520	16	6
160792-56530	16	10
160792-56540	16	11
160792-56610	16	26
160792-56670	16	34
160792-59361	5	26 -2
160793-56561	16	15
160793-78010	8	43
	18	15
160793-78630	8	8
	18	26
160797-56570	16	16
160797-77270	42	16
160798-07100	10	2
	20	7
160798-22010	14	22
160798-45130	18	40
160798-56041	16	1
160798-56630	16	30
160798-66140	17	19
160798-66250	17	12
160798-66260	17	18
160798-76060	18	1
160798-78620	8	13
	18	22
160802-59370	5	25
160802-59371	5	25 -1
160802-78270	15	24
160810-01740	11	21
160810-03200	2	2
160810-23201	14	32
160810-56151	13	5
	16	32
160810-56580	6	17
	16	19

PARTS No.	Fig.	Ref.No.
160810-56590	6	18
160810-56670	6	3
160820-59390	5	26
160820-59391	5	26 -1
160880-56760	16	4
160890-01210	12	22
160890-01330	12	23
160890-04330	12	16 -1
160890-11120	12	9
160890-11180	12	10
160890-11190	12	10 -1
160890-11202	12	11
160890-11270	12	13
160890-11290	12	15
160890-11300	12	17
160890-11310	12	18
160890-11311	12	18 -1
160890-13210	13	8
160890-13501	13	10
160890-13580	13	10 -1
160890-13581	13	10 -2
160890-13660	13	13
160890-13710	13	22
160890-13910	13	18
160890-13921	13	23
160890-13922	13	23 -1
160890-14051	14	1
160890-14200	14	11
160890-14560	14	9
160890-21200	14	16
160890-21220	14	17
		33
160890-22300	14	28
160890-45200	18	41
160890-56430	16	23
160890-56620	16	14
160890-66050	17	9
160890-66190	17	28
160890-76510	18	3
160890-76520	18	4
160890-76530	18	5
160890-76540	18	6
160890-76550	18	7
160890-76570	18	9
160890-76580	18	10
160891-12500	13	1
160891-12520	13	2
160891-12530	3	3
	13	3
160891-13540	13	12

PARTS No.	Fig.	Ref.No.
160891-13610	13	9
160891-13611	13	9 -1
160891-13612	13	9 -2
160891-45230	18	42
160891-56900	6	37
	16	35
160891-76250	18	2
160891-77020	19	1
160891-77750	19	11
160891-77760	19	12
160891-78170	18	28
160891-78171	18	28 -1
160891-78200	9	20
	18	32
160903-28020	11	12
		19
160903-55390	5	20
	15	15
160903-56670	6	4
160920-59350	15	21
160920-59351	15	21 -1
160991-03180	2	2 -1
	12	21
160991-07260	10	5
	20	9
160991-55300	5	16
	15	9
160998-55390	15	15 -1
160998-78400	18	24 -1
181230-56380	6	8
		26
	16	7
		12
		28
194080-58820	22	6
194150-47621	32	4
	35	5
	36	3
194273-47910	21	6
	22	12
1A1470-40900	42	9
1C1011-45020	31	20
1C6320-64680	35	7
1E1061-86610	51	3
1E4760-43090	33	5
1E6102-84960	42	7
1E6102-84970	31	7
	42	2
		8
1E6680-64240	35	6

PARTS No. INDEX

PARTS No.	Fig.	Ref.No.
1E6740-64200	33	6
1E7030-51301	23	10
1F1150-23140	27	5
1F1150-92000	53	7
1J3999-00050	46	14
	47	14
1J3999-02010	21	5
	22	5
1J3999-02160	48	1
1J3999-06000	31	12
1J3999-07000	31	1
	35	1
	42	20
1N1313-93120	51	13
1N1570-21200	25	2
1N1570-21300	25	5
1N1570-21600	27	1
1N1570-32950	33	4
1N1570-38200	46	1
	47	1
1N1570-38210	44	1
	45	1
1N1570-51130	21	23
	22	20
	36	4
1N1570-73150	48	14
1N1570-74050	49	7
1N1570-74101	49	19
1N1570-74110	49	9
1N1570-74120	49	10
1N1570-74130	49	11
1N1570-74140	49	12
1N1710-51350	41	14
1N1710-71062	44	3
	45	3
1N1710-71071	44	4
	45	4
1N1710-74002	49	1
1N1710-74012	49	4
1N1710-74021	49	6
1N1710-82140	28	3
1N1711-32790	37	1
1N1711-35520	37	18
1N1711-51390	43	1
1N1711-51850	43	2
1N1711-51860	43	3
1N1711-68190	51	1
1N1711-68220	51	2
1N1711-71500	47	12
1N1711-73170	48	15

PARTS No.	Fig.	Ref.No.
1N1711-73170	48	25
1N1711-73240	48	4
1N1711-73280	48	5
1N1711-73700	48	7
1N1711-74000	49	2
1N1711-74010	49	5
1N1711-76001	50	14
1N1713-00040	22	1
1N1713-00080	22	2
1N1713-00100	22	3
1N1713-00170	22	4
1N1713-92570	51	12
1N1720-21211	25	4
1N1720-74000	49	8 -1
1N1720-82221	46	2
1N1721-74001	49	3
1N1721-76001	50	18
1N1723-00061	21	1
1N1723-00280	21	2
1N1723-00330	21	3
1N1723-00331	21	3 -1
1N1723-00350	21	4
1N1723-32350	35	2
1N1723-71000	46	15
1N1723-74000	49	8 -2
1N1723-92530	51	11
1N1723-92550	51	9 -1
1N1723-92631	51	15
1N1723-92670	52	3
1N1723-92680	52	4
1N1723-92690	52	5
1N1960-73502	48	6
1N3021-11251	23	5
1N3021-31451	31	15
1N3021-31480	31	16
1N3021-31580	23	9
	31	18
1N3021-34390	37	17
1N3021-34650	37	6
1N3021-34651	37	6 -1
1N3021-34700	37	7
1N3021-34710	37	8
1N3021-34720	37	9
1N3021-38101	40	11
	53	5
1N3021-51550	42	4
1N3021-51560	42	5
1N3021-52300	42	15
1N3021-52400	42	17
1N3021-73201	48	3

PARTS No.	Fig.	Ref.No.
1N3021-91090	51	14
1N3021-91110	51	8
1N3021-91260	51	10
1N3260-73250	37	10
1N3269-71500	46	9
1N3300-00050	21	31
	22	25
1N3300-02100	21	20
	22	18
1N3300-02150	21	21
1N3300-02200	21	22
1N3300-11000	23	1
1N3300-11080	23	2
1N3300-11100	23	3
1N3300-11101	23	3 -1
1N3300-11200	23	4
1N3300-11250	23	6
1N3300-11260	23	7
1N3300-11270	23	13
1N3300-11300	23	8
1N3300-12000	24	1
1N3300-12010	24	14
1N3300-12050	24	6
1N3300-12100	24	2
1N3300-12101	24	2 -1
1N3300-12150	24	3
1N3300-12200	24	15
1N3300-12201	24	15 -1
1N3300-12300	24	20 -1
1N3300-21000	25	1
1N3300-21200	25	3
1N3300-21201	25	3 -1
1N3300-21300	25	6
1N3300-21310	25	7
1N3300-21320	25	8
1N3300-21321	25	8 -1
1N3300-21400	25	10
1N3300-21450	25	25
1N3300-22000	26	1
1N3300-22001	26	1 -1
1N3300-22100	26	2
1N3300-22160	26	3
1N3300-22170	26	4
1N3300-22200	26	5
1N3300-23000	27	2
1N3300-23050	27	3
1N3300-23090	27	4
1N3300-23180	27	28
1N3300-23200	27	6
1N3300-23300	27	7

PARTS No.	Fig.	Ref.No.
1N3300-25000	27	21
1N3300-25100	27	22
1N3300-30000	28	1
1N3300-30100	28	2
1N3300-30101	28	2 -1
1N3300-30250	28	7
1N3300-30290	29	1
1N3300-31000	30	1
1N3300-31001	30	1 -1
1N3300-31002	30	1 -2
1N3300-31050	30	2
1N3300-31051	30	2 -1
1N3300-31200	31	2
1N3300-31300	31	3
1N3300-31350	31	13
1N3300-31400	31	14
1N3300-31450	31	4
1N3300-31500	31	17
1N3300-31600	31	5
1N3300-31601	31	5 -1
1N3300-31640	31	32
1N3300-31650	31	6
1N3300-31651	31	6 -1
1N3300-31700	31	19
1N3300-31750	31	31
1N3300-32000	32	1
1N3300-32050	32	2
1N3300-32100	32	11
1N3300-32200	33	1
1N3300-32250	32	3
1N3300-32300	33	2
1N3300-32400	32	12
1N3300-32500	33	3
1N3300-33200	34	1
1N3300-33280	34	2
1N3300-34000	35	3
1N3300-34200	35	4
1N3300-34201	35	4 -1
1N3300-34350	37	2
1N3300-34450	37	3
1N3300-34500	37	4
1N3300-34501	37	4 -1
1N3300-34502	37	4 -2
1N3300-34503-1	37	4 -3
1N3300-34600	37	5
1N3300-36000	38	1
1N3300-36001	38	1 -1
1N3300-36002	38	1 -2
1N3300-36100	38	2
1N3300-36200	38	3

PARTS No. INDEX

PARTS No.	Fig.	Ref.No.
1N3300-37100	39	3
1N3300-38000	40	1
1N3300-38100	40	2
1N3300-38200	40	3
1N3300-38250	40	4
1N3300-51010	41	1
1N3300-51100	41	2
1N3300-51150	41	3
1N3300-51200	41	4
1N3300-51250	41	5
1N3300-51300	41	6
1N3300-51350	41	7
1N3300-51400	42	1
1N3300-51450	42	10
1N3300-51451	42	10 -1
1N3300-51480	42	19
1N3300-51500	42	3
1N3300-51550	42	14
1N3300-51551-1	42	14 -1
1N3300-51552-1	42	14 -2
1N3300-71000	44	2
1N3300-71100	44	14
1N3300-71300	46	15 -1
1N3300-71301	46	15 -2
1N3300-71320	46	19 -1
	47	17 -1
1N3300-71330	46	14 -2
	47	14 -2
1N3300-71400	44	5
	45	5
1N3300-71401	44	5 -1
	45	5 -1
1N3300-71550	46	10
1N3300-71551	46	10 -1
1N3300-73200	48	16
1N3300-73201	48	16 -1
1N3300-73202	48	16 -2
1N3300-73300	48	19
1N3300-73350	48	20
1N3300-74060	49	8
1N3300-75000	50	1
1N3300-75001	50	1 -1
1N3300-75100	50	2
1N3300-75101	50	2 -1
1N3300-75200	50	3
1N3300-91050	51	4
1N3300-91070	51	5
1N3300-91080	51	6
1N3300-91100	51	7
1N3300-91200	51	9

PARTS No.	Fig.	Ref.No.
1N3300-91300	51	19
1N3300-96100	53	2
1N3310-02150	21	21 -1
	22	19
1N3310-12000	24	5
1N3310-12050	24	12
1N3310-23200	27	19
1N3310-23300	27	20
1N3310-25000	27	24
1N3310-30290	29	5
1N3310-30291	29	5 -1
1N3310-32100	32	11 -1
1N3310-34000	36	1
1N3310-34100	36	2
1N3310-34450	37	16
1N3310-36000	38	6
1N3310-36001	38	6 -1
1N3310-38100	40	10
1N3310-71000	45	2
1N3310-71100	45	14
1N3310-71200	47	2
1N3310-71300	47	12 -1
1N3310-71301	47	12 -2
1N3310-71500	47	7
1N3310-71550	47	8
1N3310-71551	47	8 -1
1N3310-73200	48	18
1N3310-73201	48	18 -1
1N3310-73202	48	18 -2
1N3310-75000	50	12
1N3310-75100	50	13
1N3310-91050	51	16
1N3310-91080	51	17
1N3330-30291-1	29	1 -1
1N3330-75000	50	12 -1
1N3330-75100	50	13 -1
1N3330-75200	50	3 -1
1N3360-91320	51	18
1N3390-02100	21	20 -1
	22	18 -1
1S6000-61220	25	11
1W4909-92310	52	1
1W4909-92360	52	2
720380-11570	12	24
760690-01510	1	13
760690-01511	1	13 -1
760690-21702	4	14
760690-23700	4	29
760690-55702	5	2
760698-01561	1	2

PARTS No.	Fig.	Ref.No.
760698-01562	1	2 -1
760698-01563	1	2 -2
760698-22501	4	23
760790-21700	14	13
760790-23700	14	30
760792-01504	11	13
760798-01561	11	2
760798-01580	11	1
760798-22500	14	24
760890-55711	15	2
783732-01562	1	1
783732-01563	1	1 -1
783732-01564	1	1 -2
7N3300-37000	39	1
7N3300-37001	39	1 -1
7N3300-73000	48	2
7N3300-82240	46	3
7N3310-71250	47	3
7N3310-73000	48	13
X131009601X	9	3
X132009202X	9	10
X133004703X	9	4
X133104900X	9	6
X136105701X	9	15
X2114274200	19	18
X2114715500	19	4
X2114811000	19	3
X224023400X	9	5
X224211001X	9	13
X266008300X	9	8
X266008503X	9	7
X366102100X	9	16
X503106201X	9	12
X520003100X	9	9
X8167050951	9	14
X8580151002	9	11

PARTS No.	Fig.	Ref.No.
-----------	------	---------



YANMAR CO.,LTD.